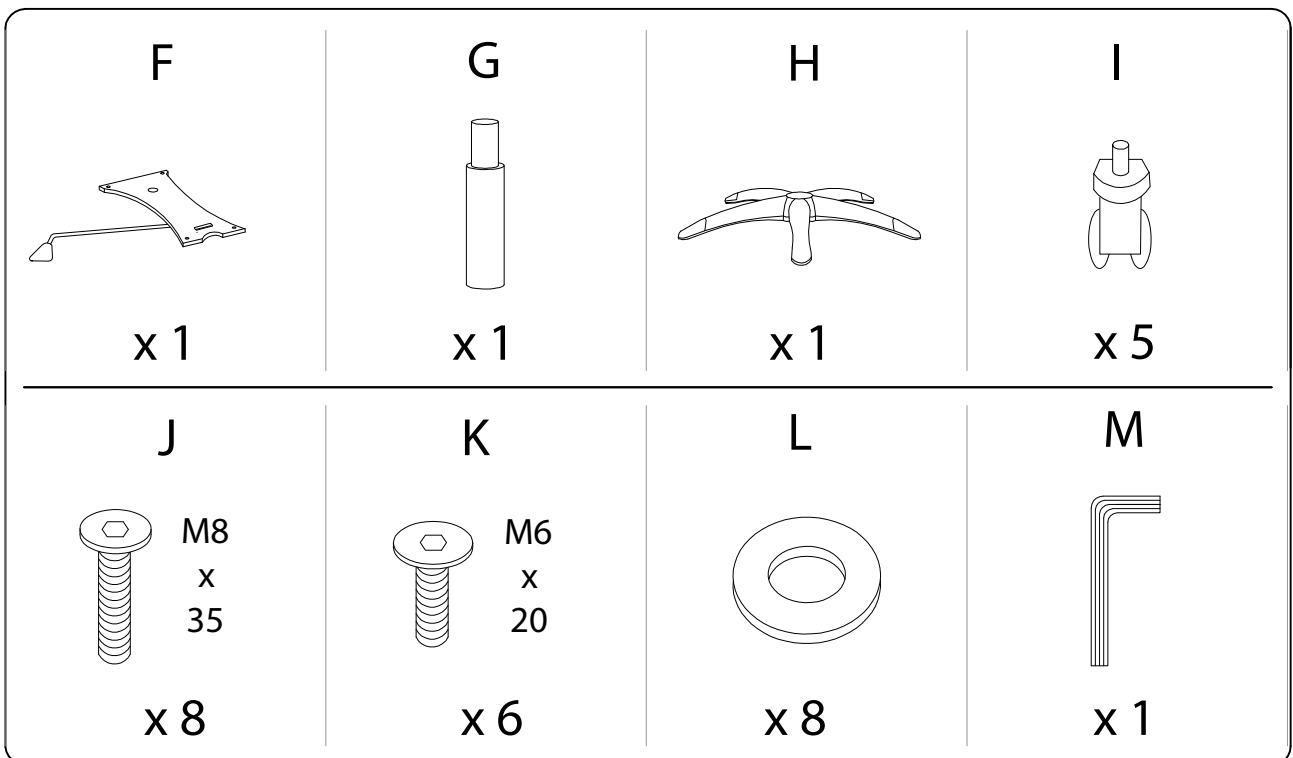
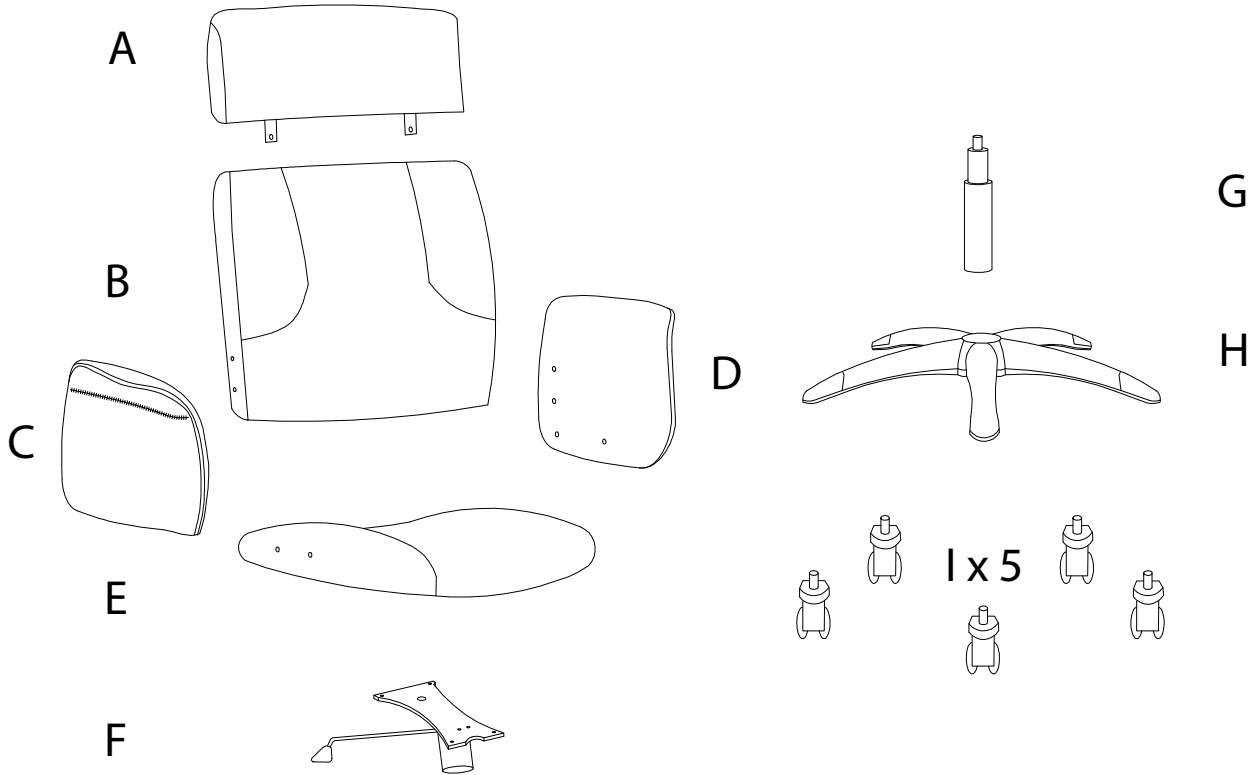
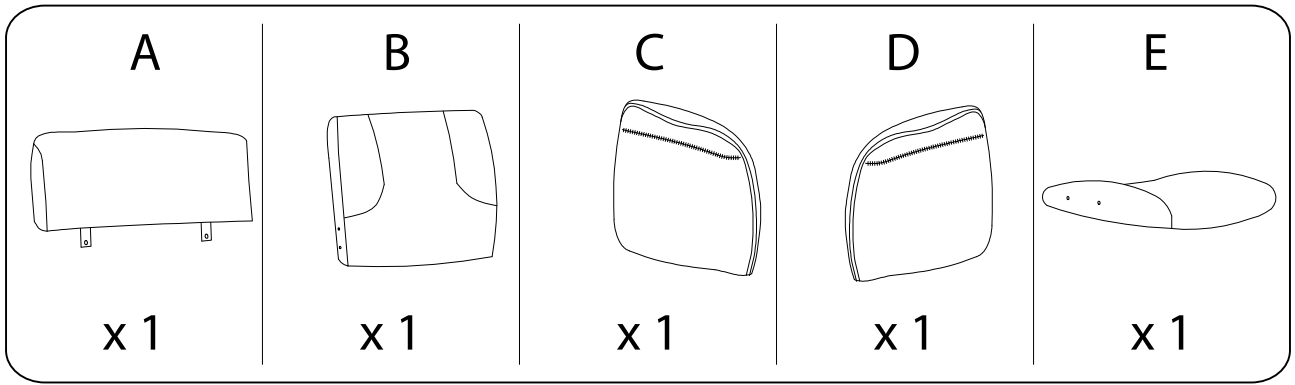


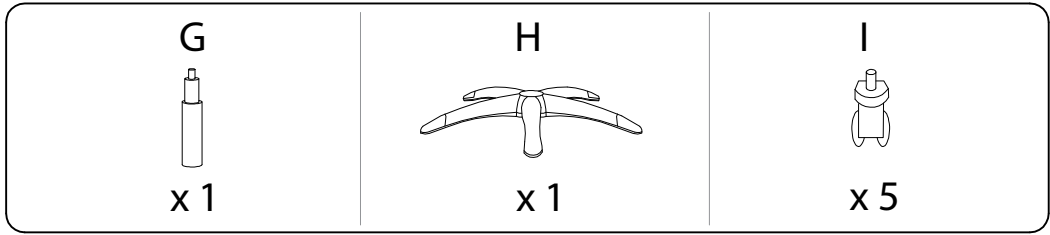


Diagram illustrating assembly instructions and safety warnings:

- Top Section:** Shows an Allen key and a power drill with a diagonal line through it, indicating that a power drill should not be used. To the right is a warning triangle with an exclamation mark and a clock icon labeled "30'", indicating a 30-minute assembly time.
- Bottom Section:** Shows a rectangular block being placed on a surface with a diagonal line through it, indicating that the chair should not be placed on an uneven or soft surface. To the right is a warning triangle with an exclamation mark and a person icon labeled "1", indicating that one person should be used for assembly.



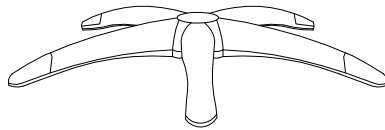
1



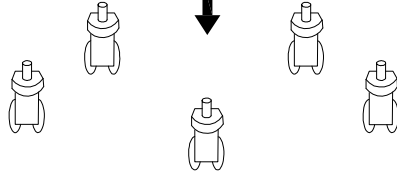
G



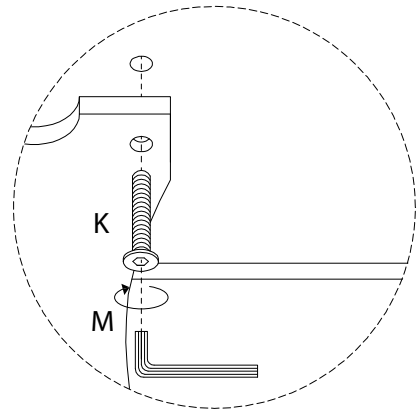
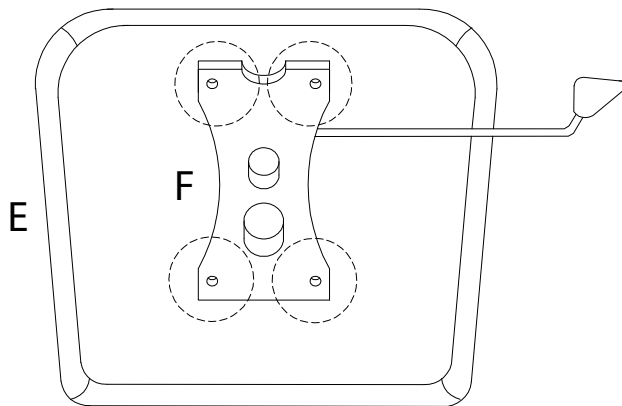
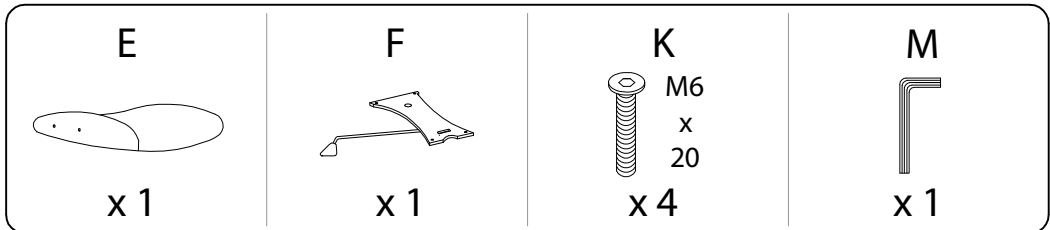
H



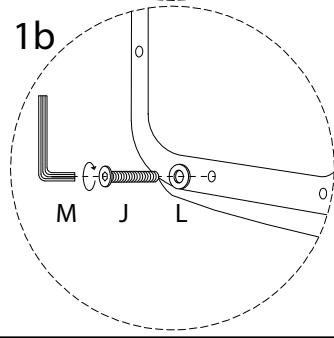
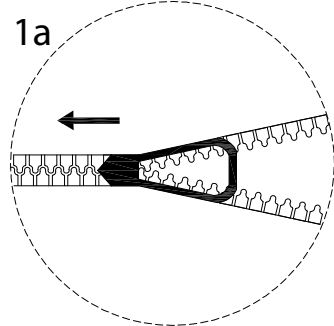
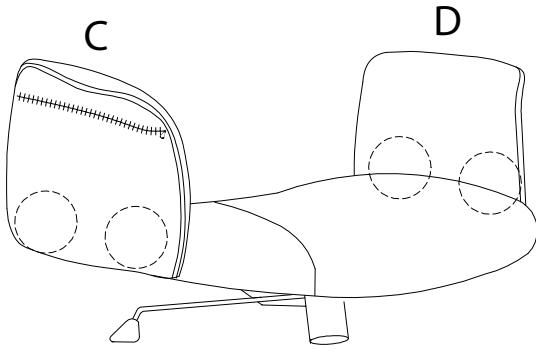
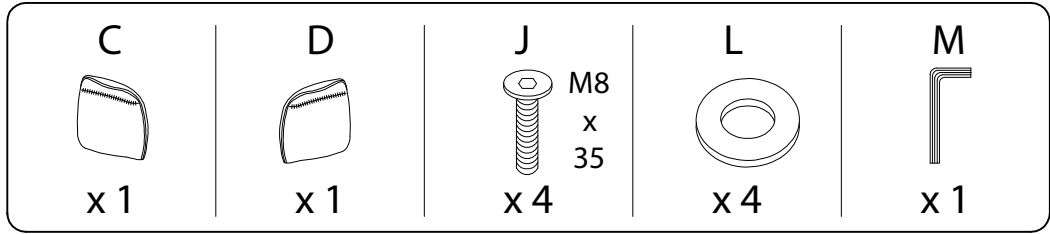
I



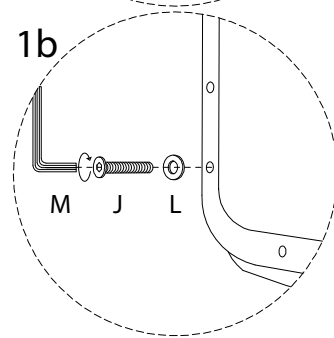
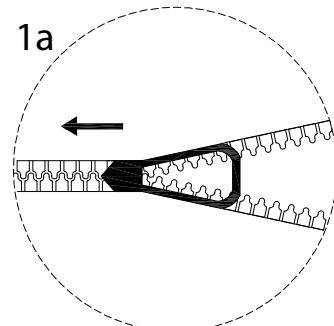
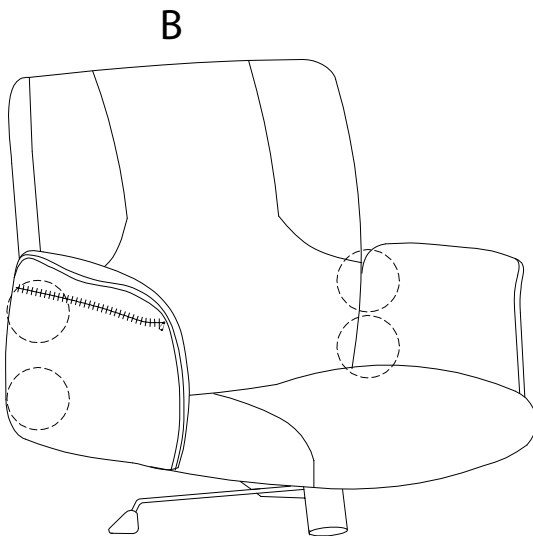
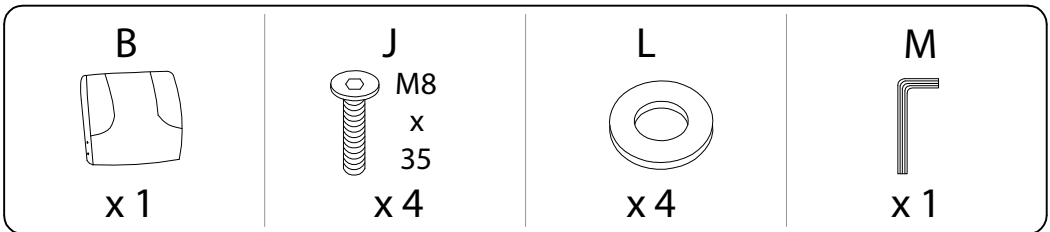
2



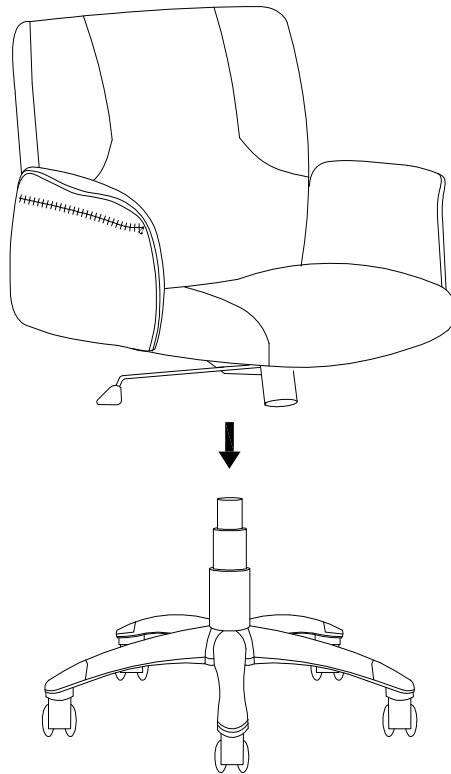
1



4



5



6

