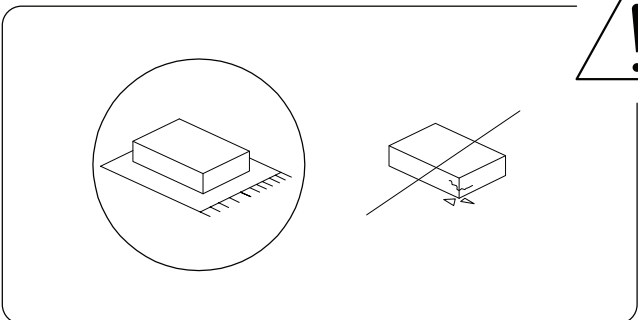
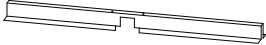
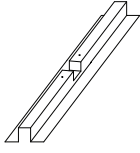

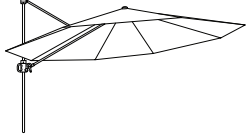


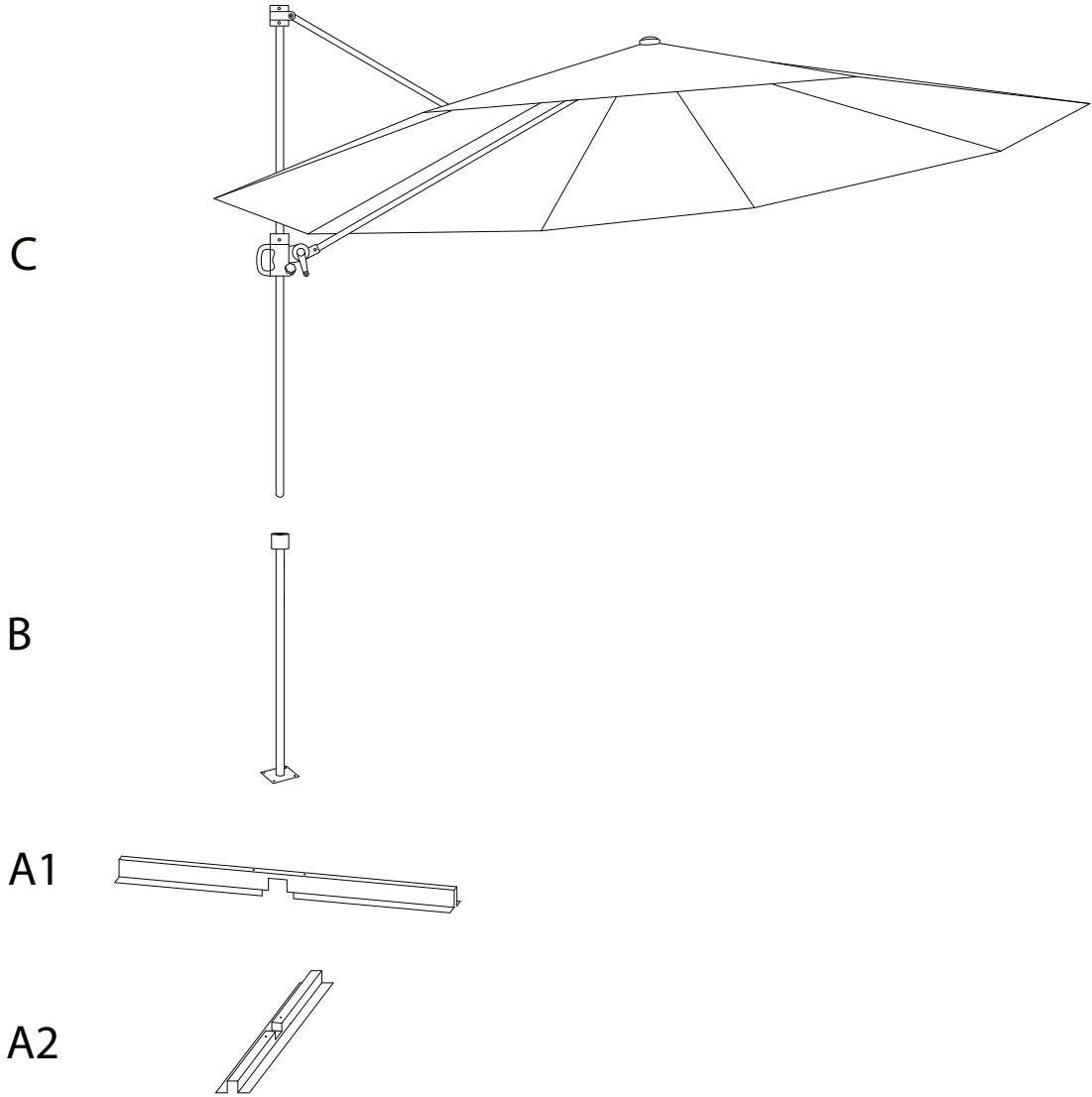
15'

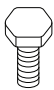

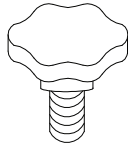


1

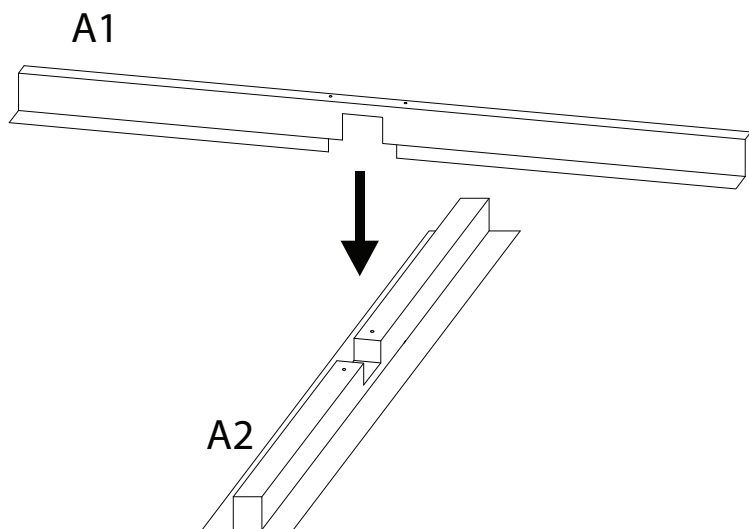
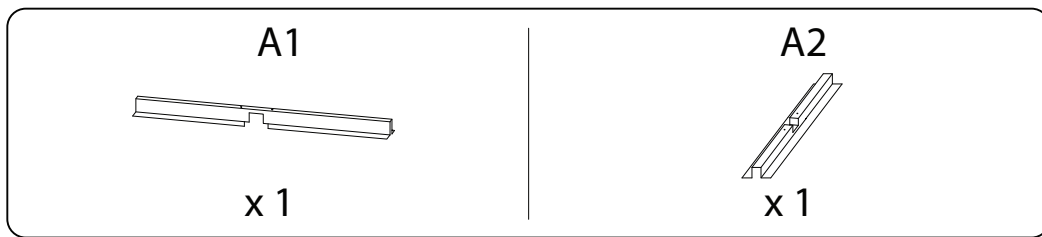
1/5

<p>A1</p>  <p>x 1</p>	<p>A2</p>  <p>x 1</p>	<p>B</p>  <p>x 1</p>	<p>C</p>  <p>x 1</p>
--	--	---	---

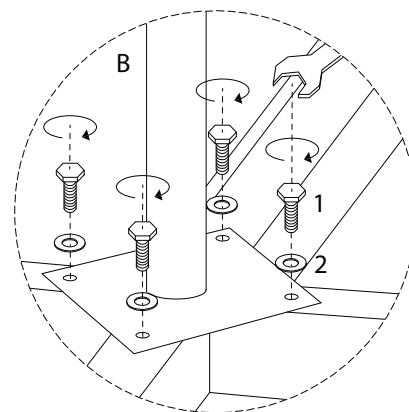
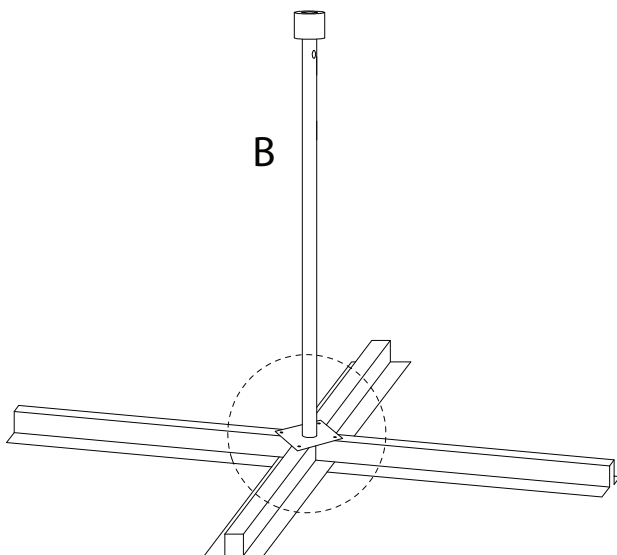
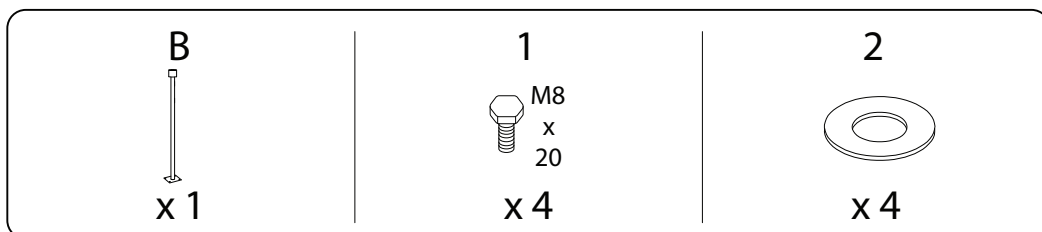


<p>1</p>  <p>M8 x 20</p> <p>x 4</p>	<p>2</p>  <p>x 4</p>	<p>3</p>  <p>x 2</p>
--	---	---

1



2



3

C

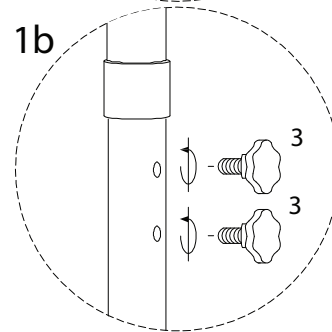
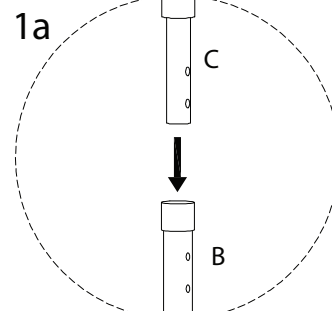
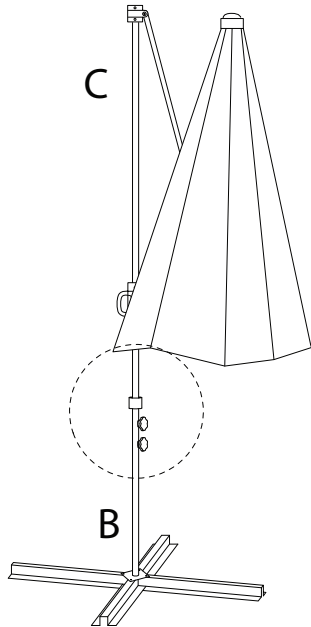


x 1

3

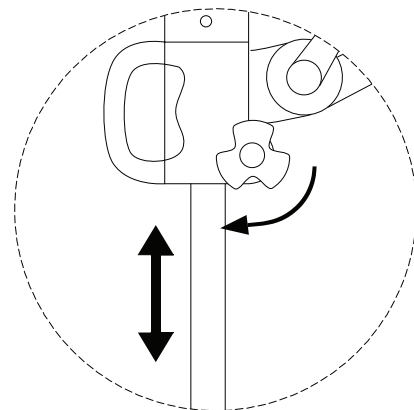
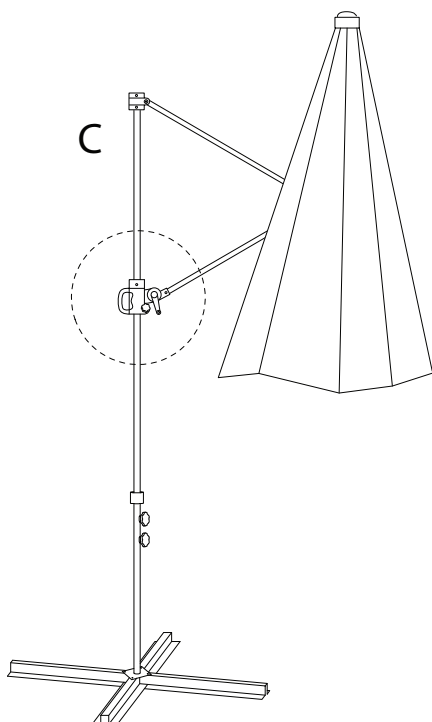


x 2

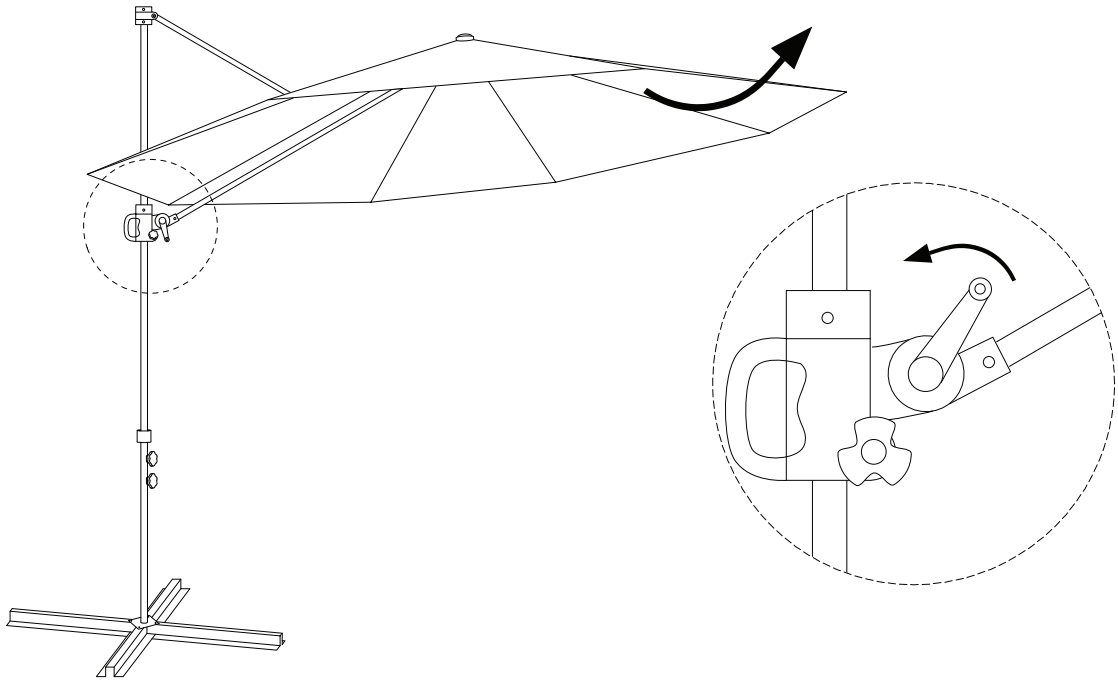


4

C



5



6

