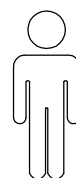
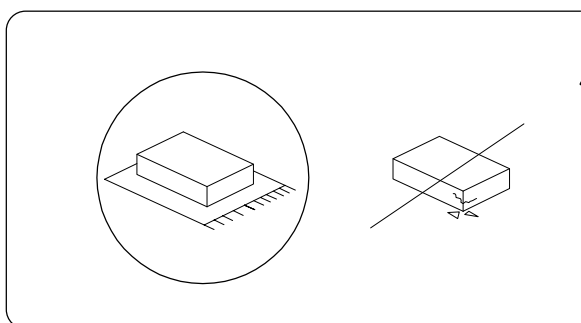
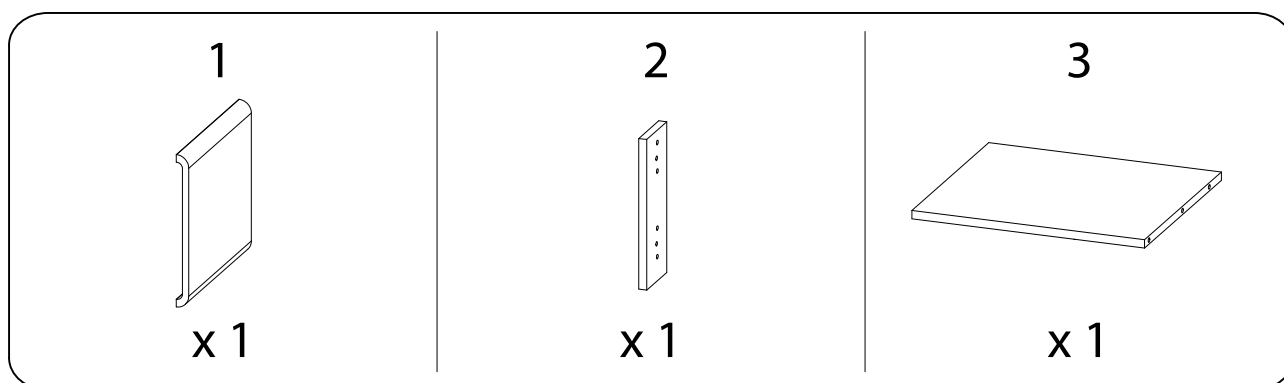
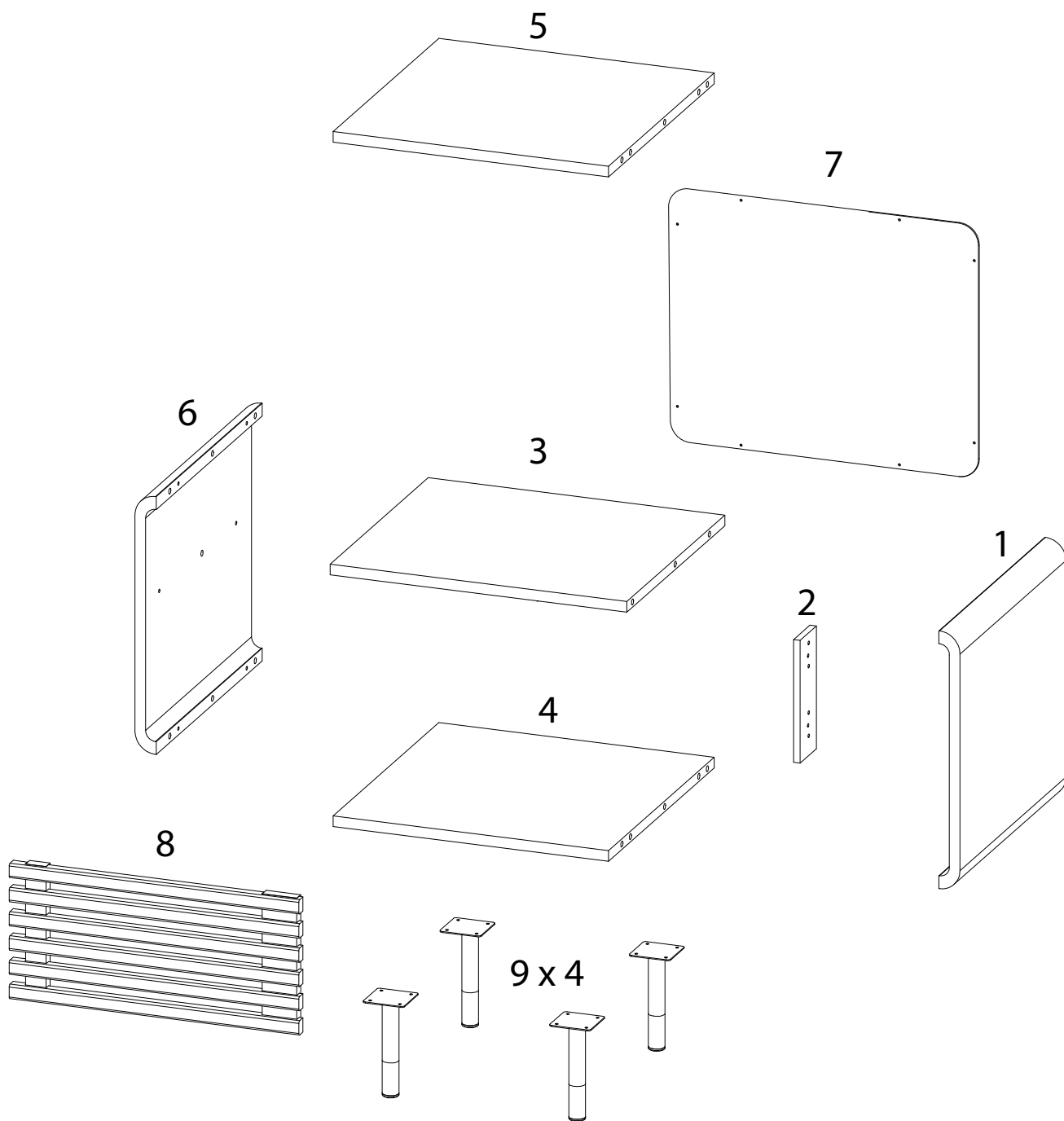


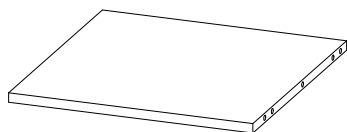
45'



2

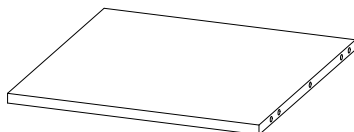


4



x 1

5



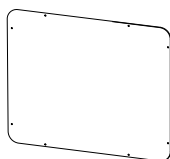
x 1

6



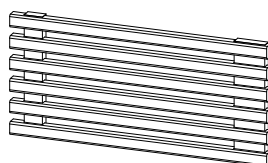
x 1

7



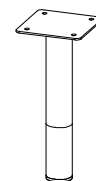
x 1

8



x 1

9



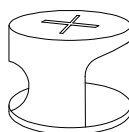
x 4

A



x 12

B



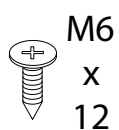
x 12

C



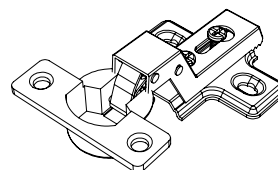
x 14

D



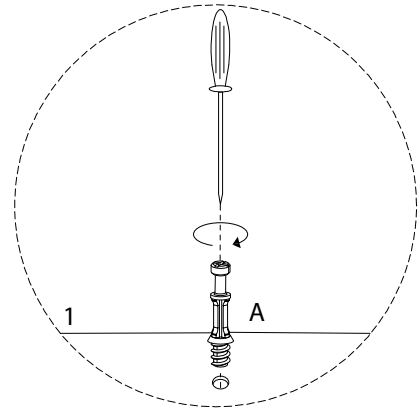
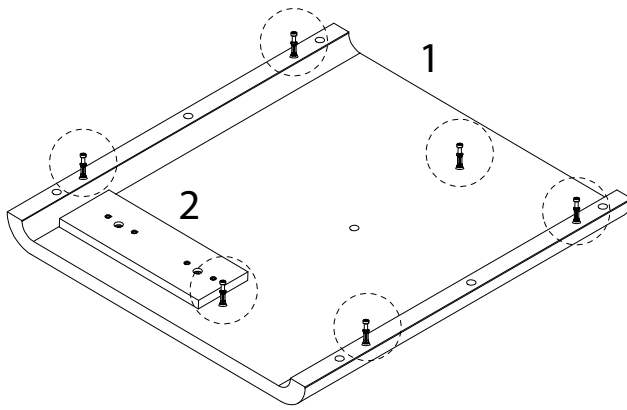
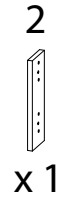
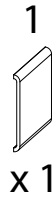
x 32

E

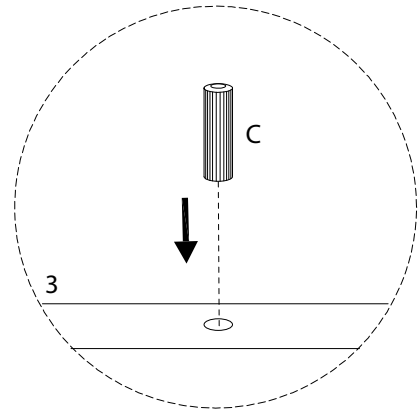
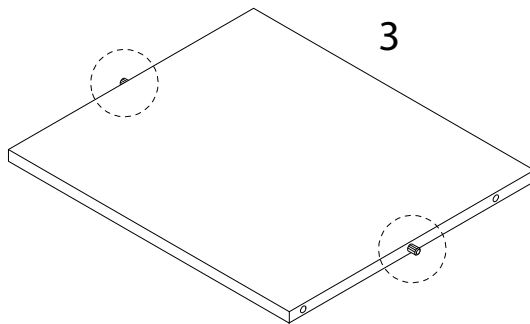
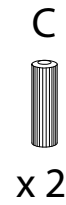
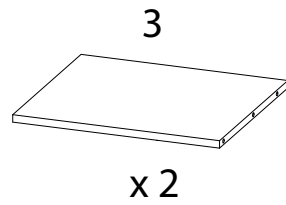


x 2

1

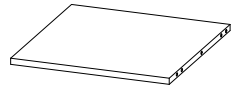


2



3

4

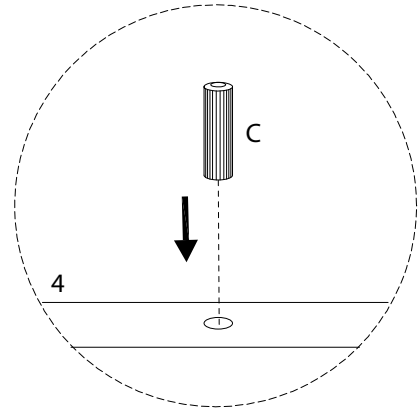
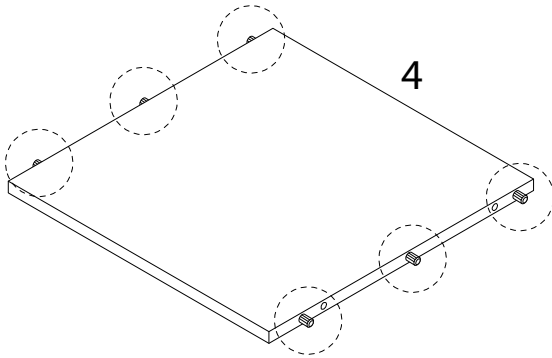


x 1

C

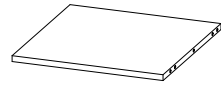


x 6



4

5

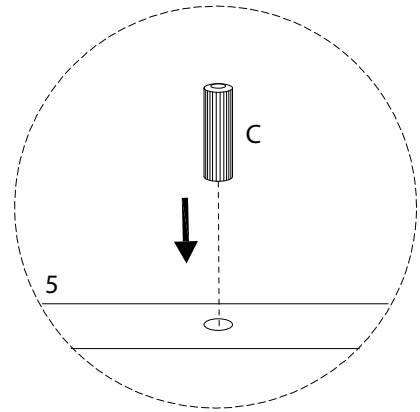
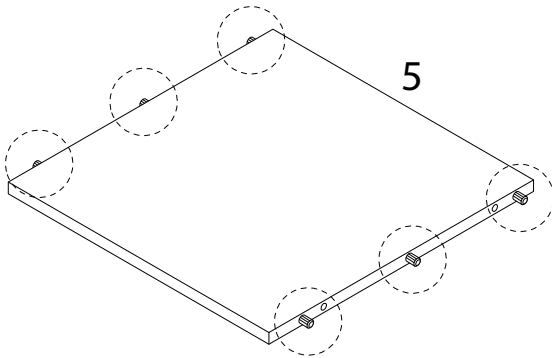


x 1

C



x 6



5

6

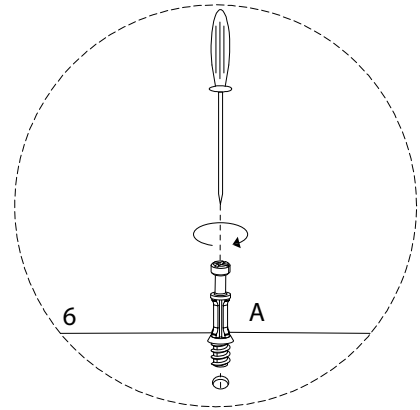
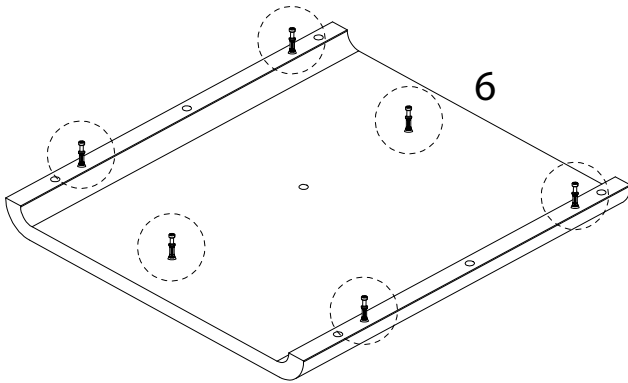


x 1

A



x 6

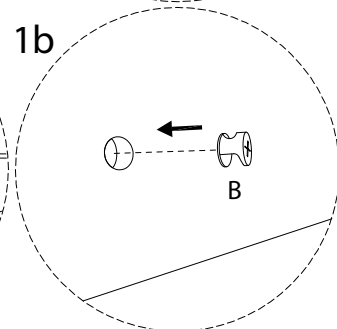
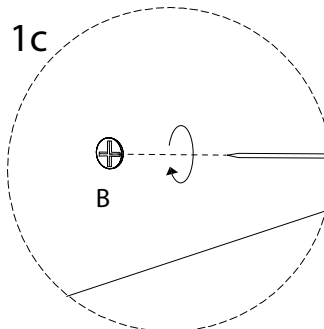
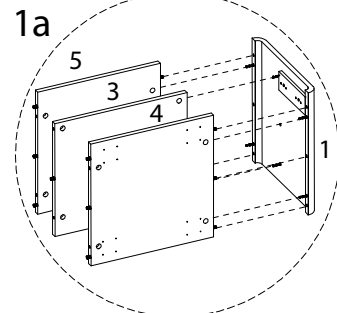
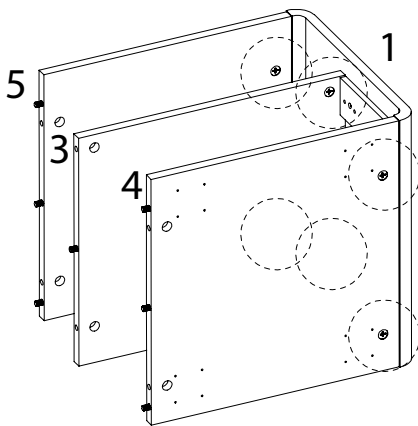


6

B



x 6

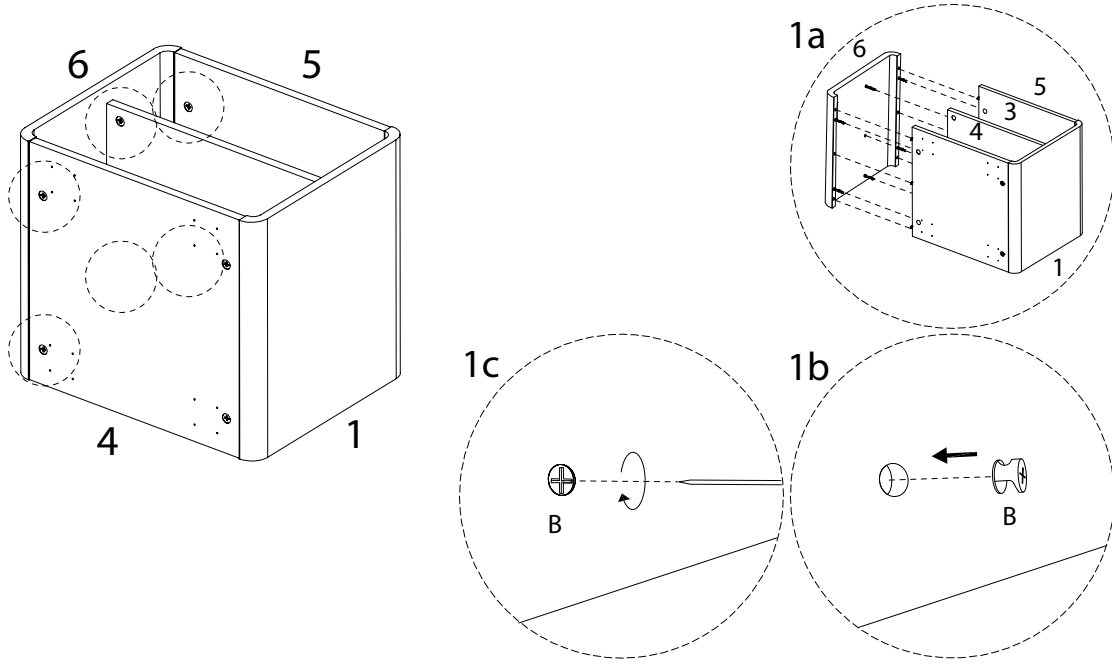


7

B

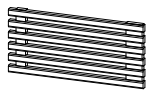


x 6



8

8



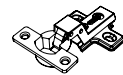
x 1

D

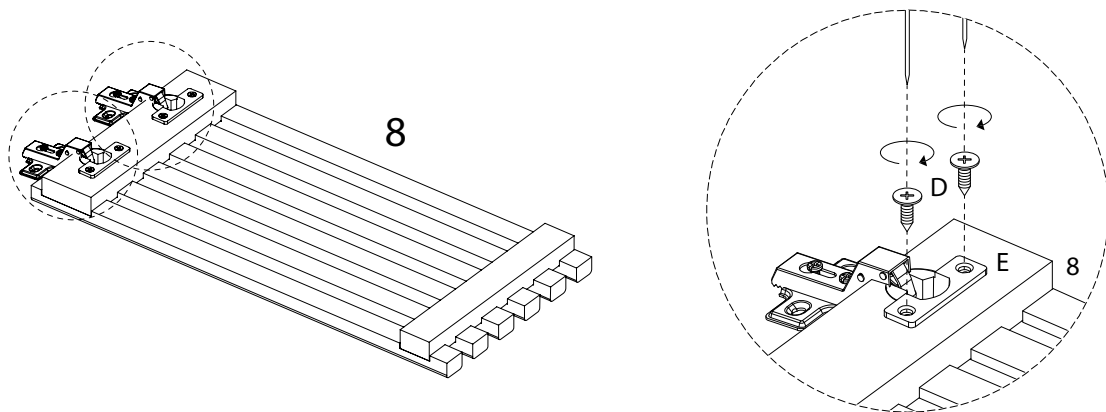


x 4

E



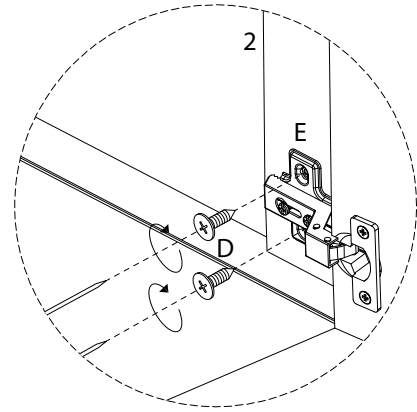
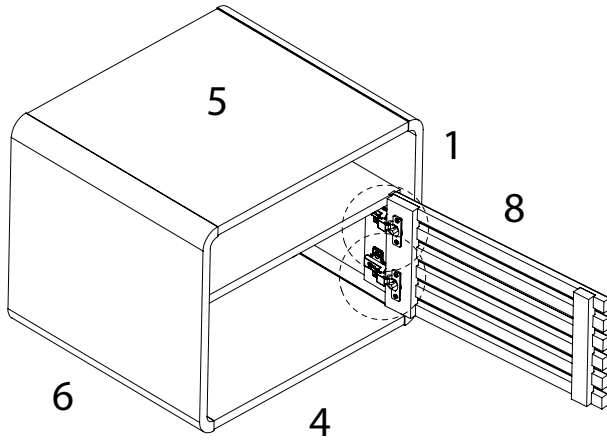
x 2



9

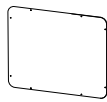
D

M6
x
12
x 4



10

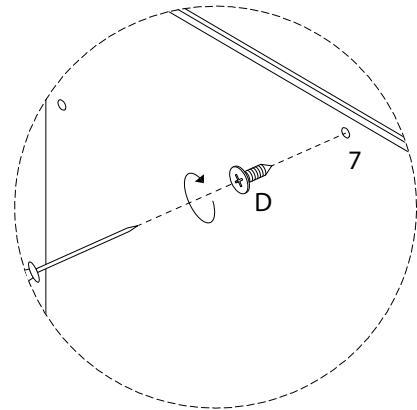
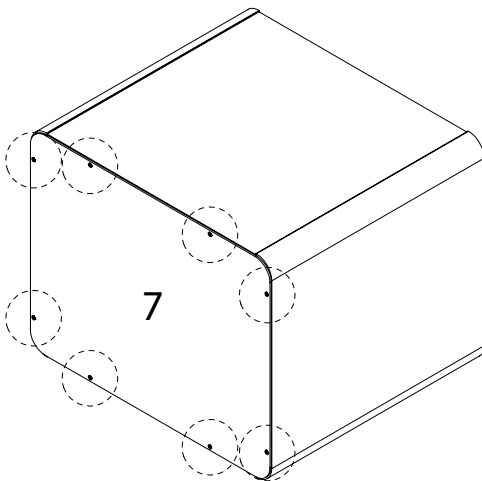
7



x 1

D

M6
x
12
x 8



11

9



x 4

D



x 16

