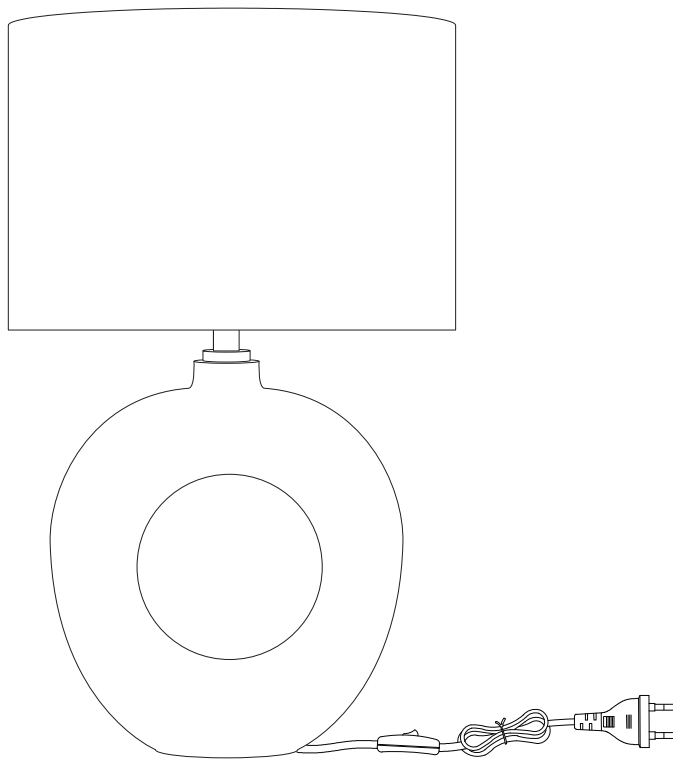
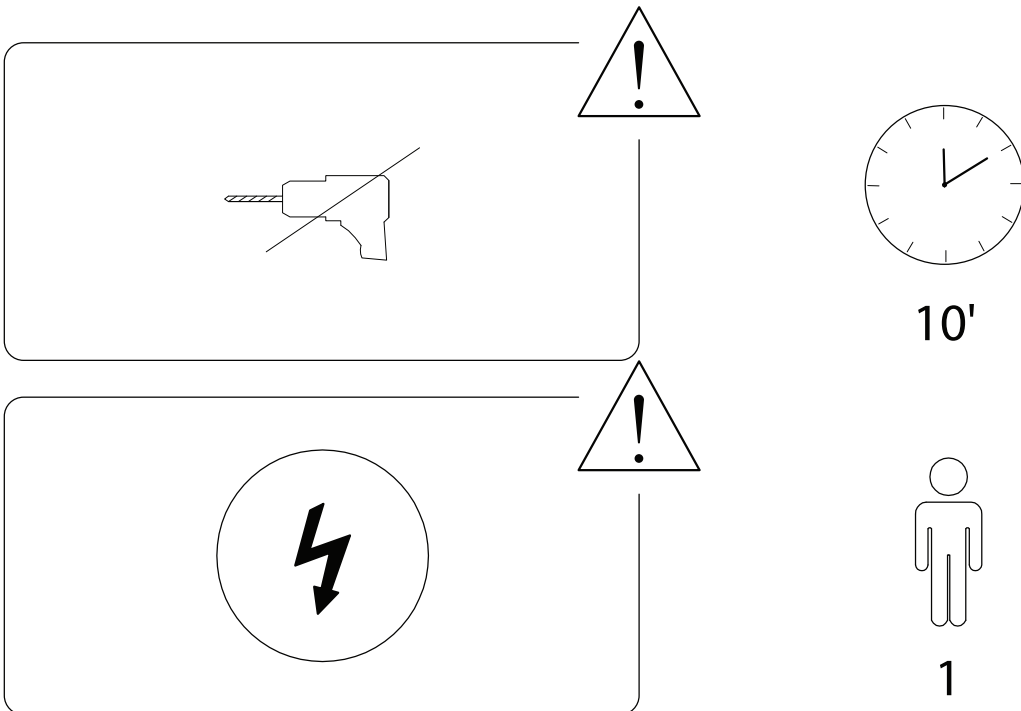
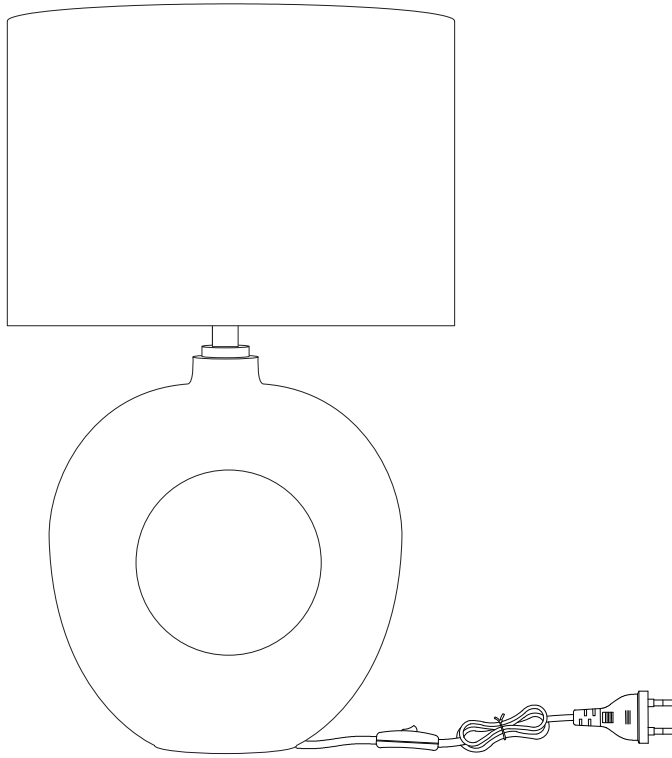
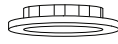


# VENTA

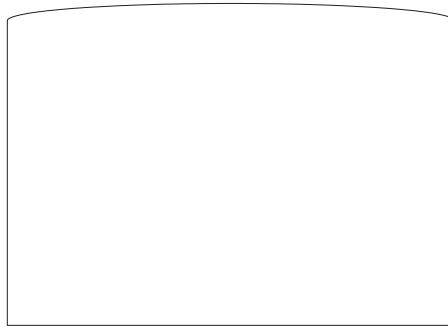




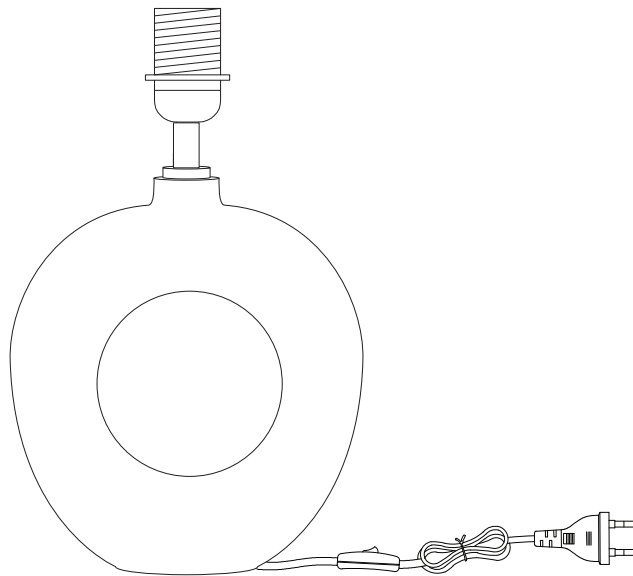
A



B



C

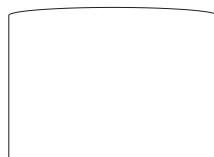


A



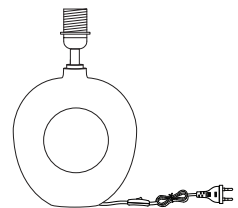
x 1

B



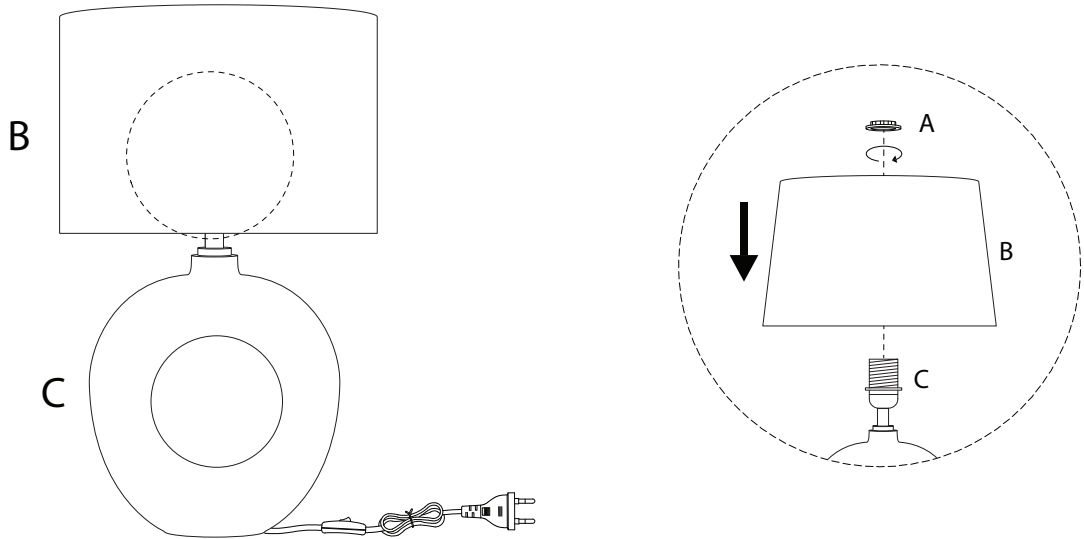
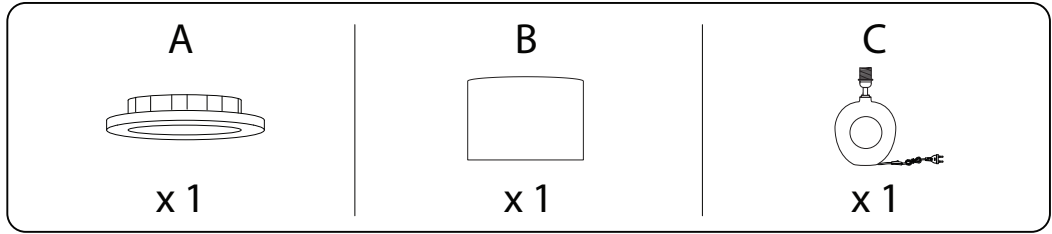
x 1

C



x 1

1



2

