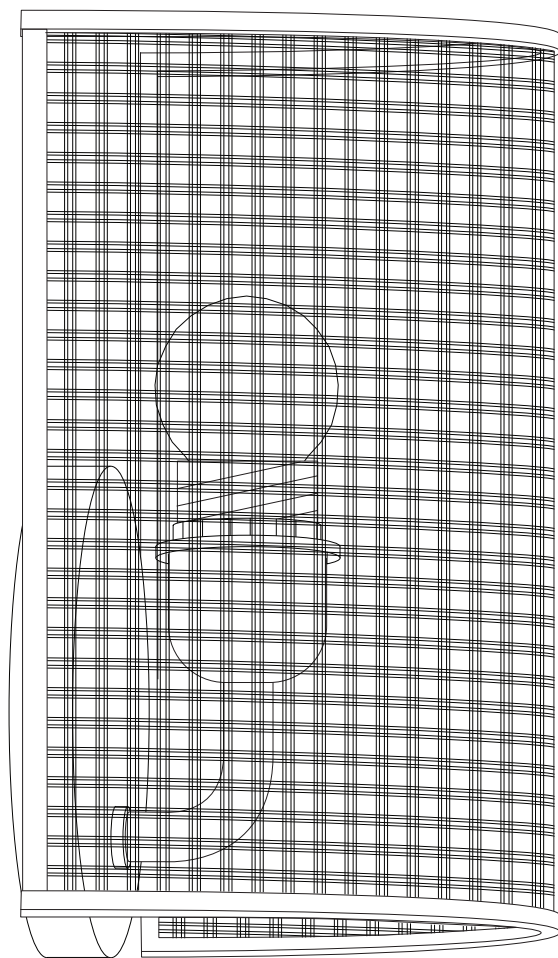
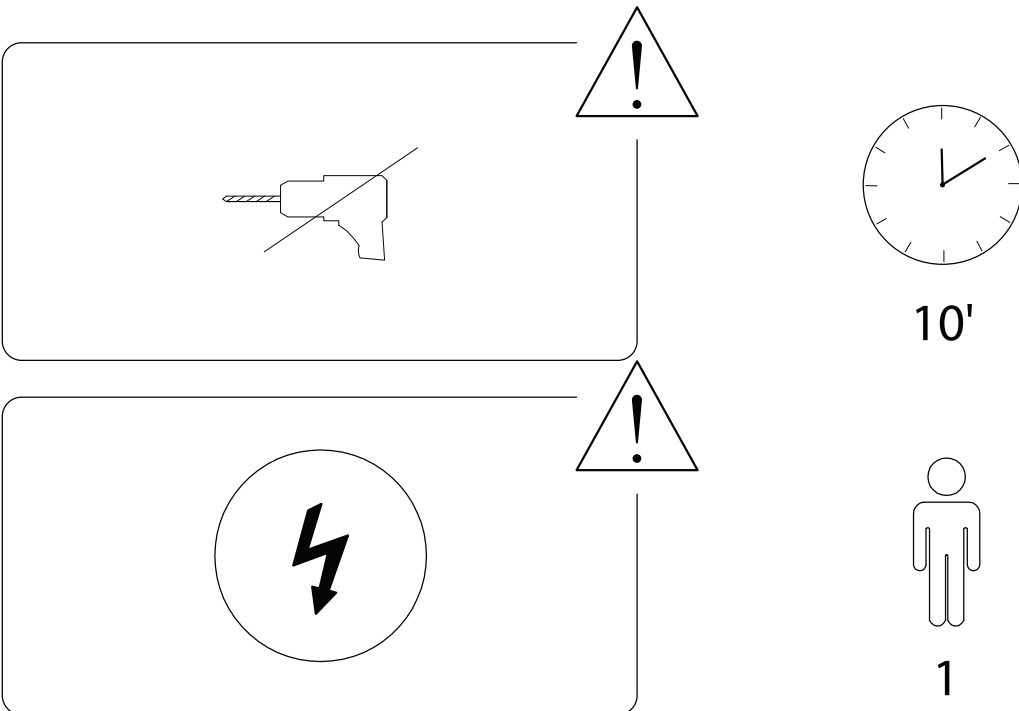
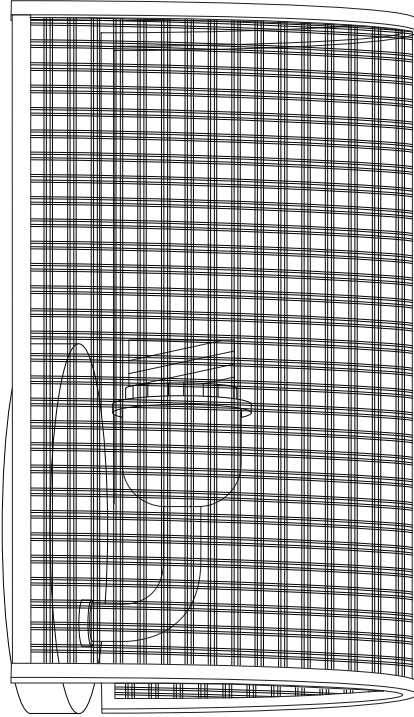


DEMITRIE



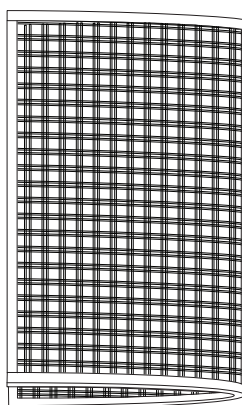


1/5

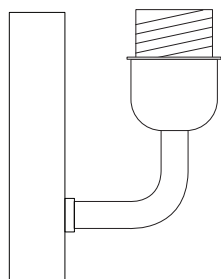
C



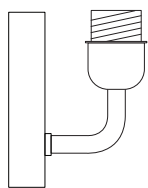
B



A

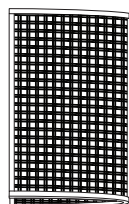


A



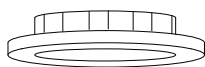
x 1

B



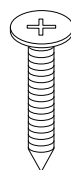
x 1

C



x 1

D



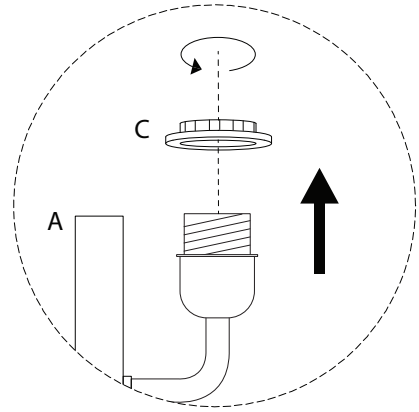
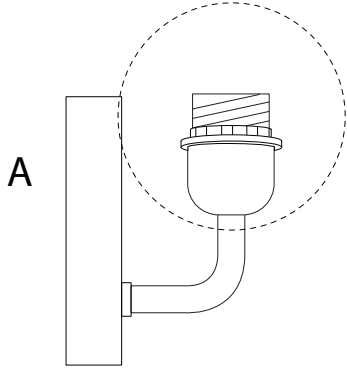
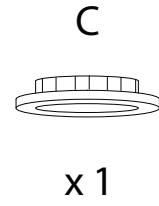
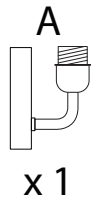
x 2

E

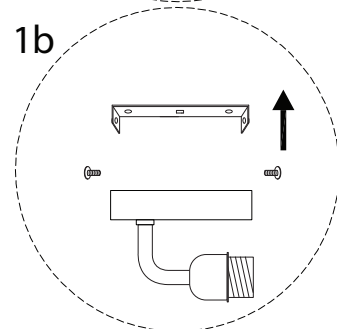
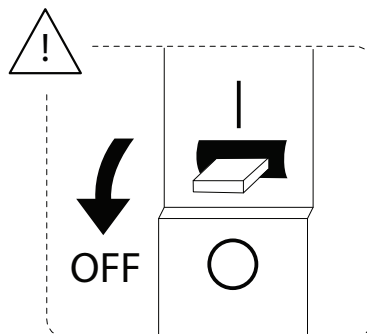
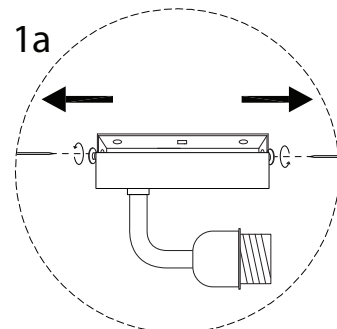
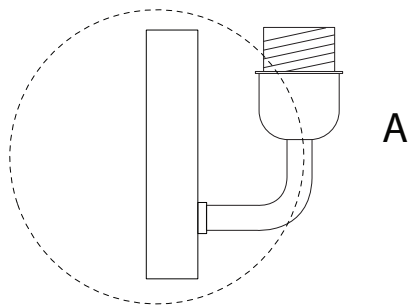


x 2

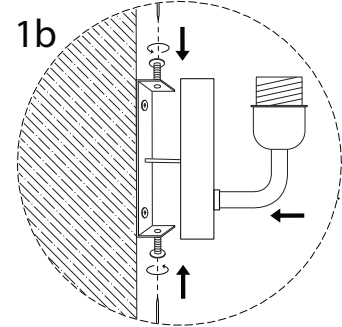
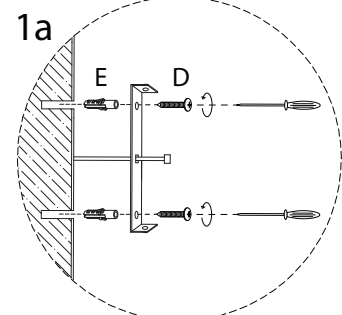
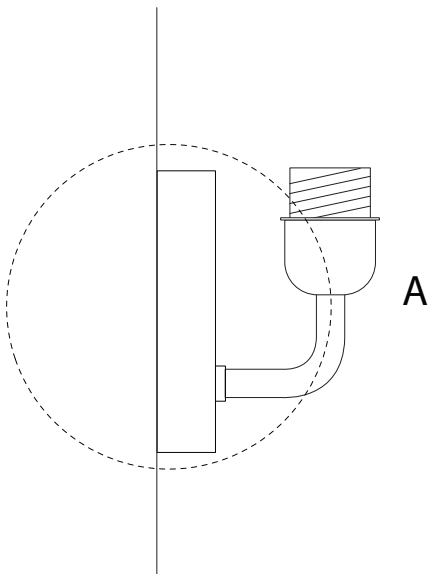
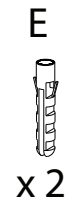
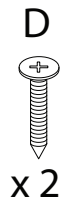
1



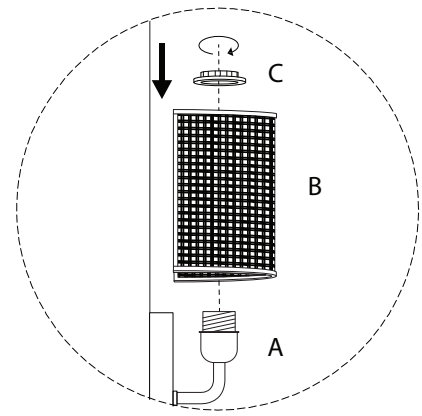
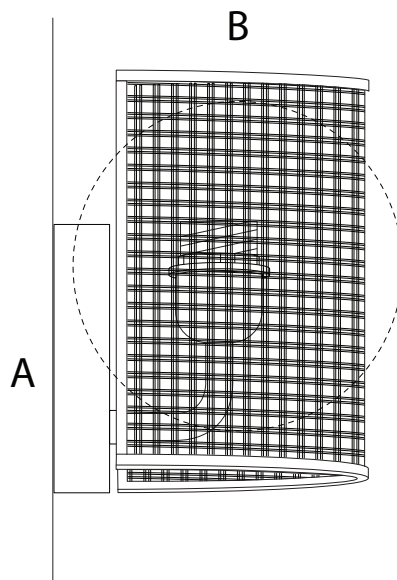
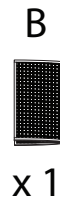
2



3



4



5

