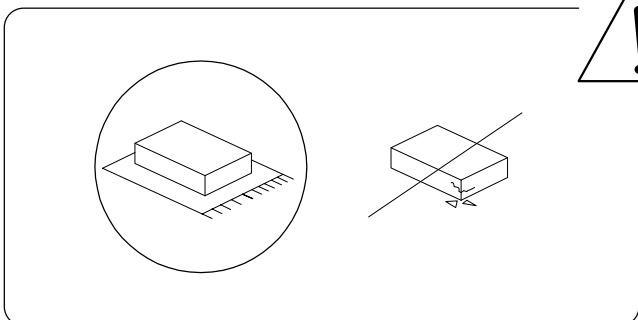
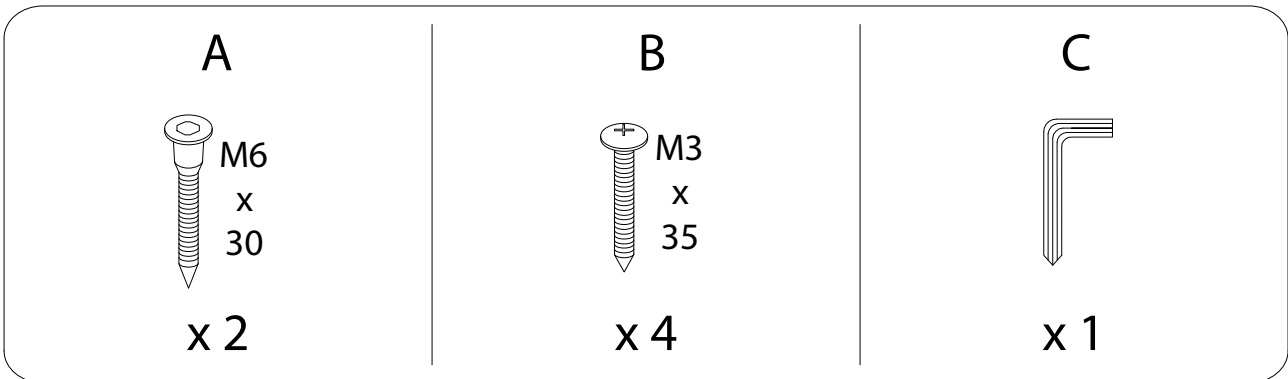
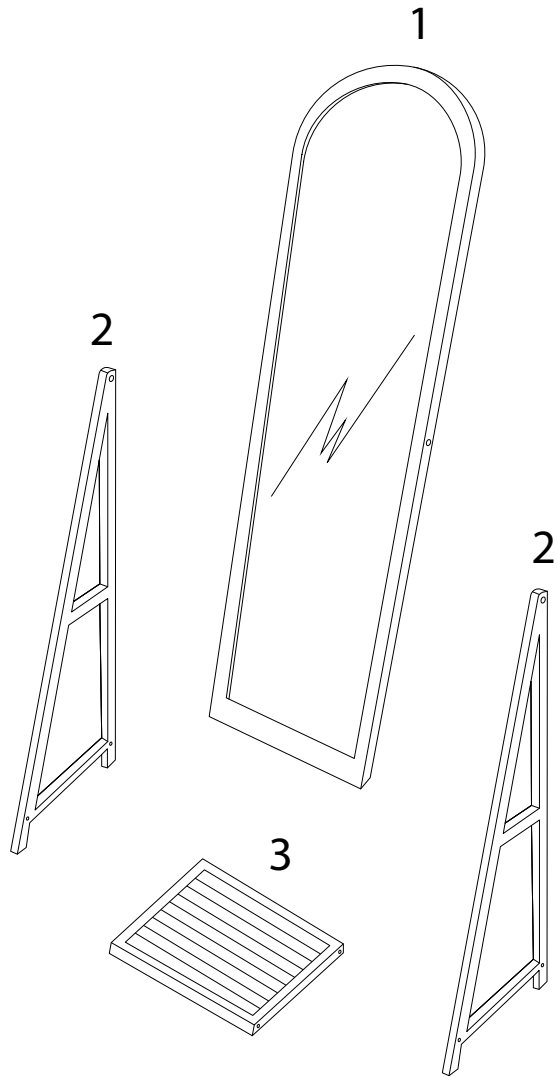
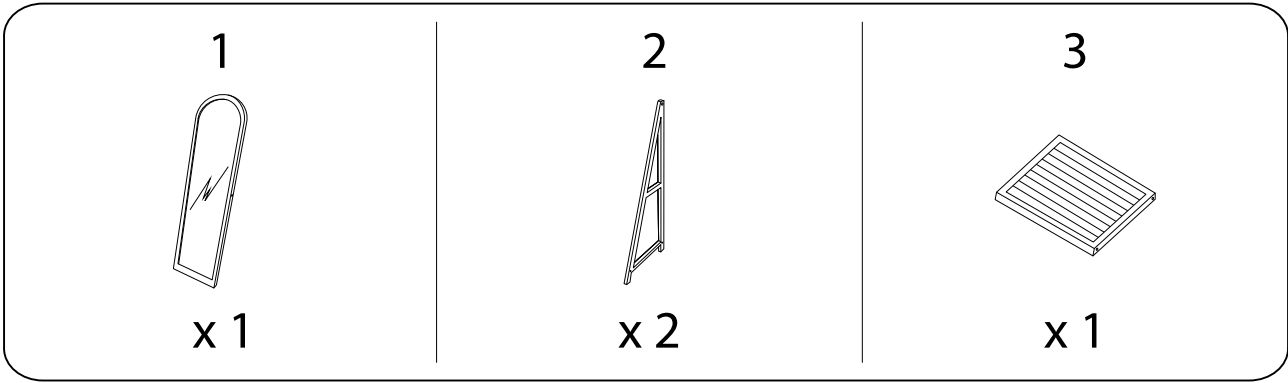


15'



1

1/3



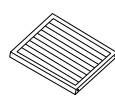
1

2



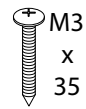
x 2

3



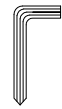
x 1

B

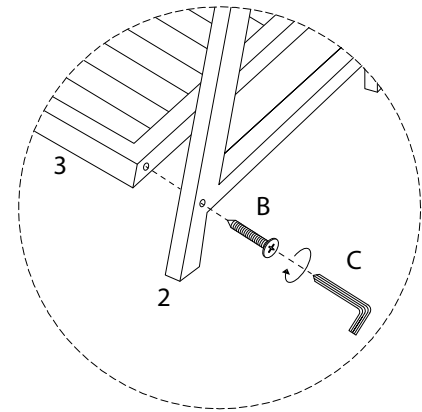
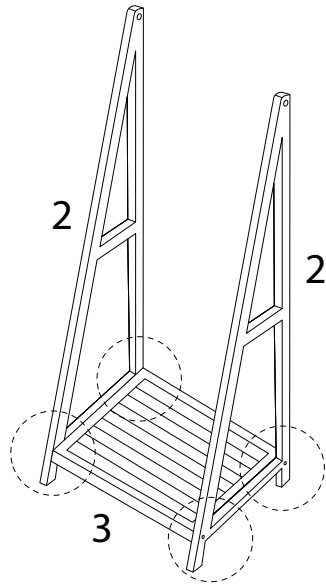


x 4

C



x 1



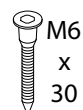
2

1



x 1

A



x 2

C



x 1

