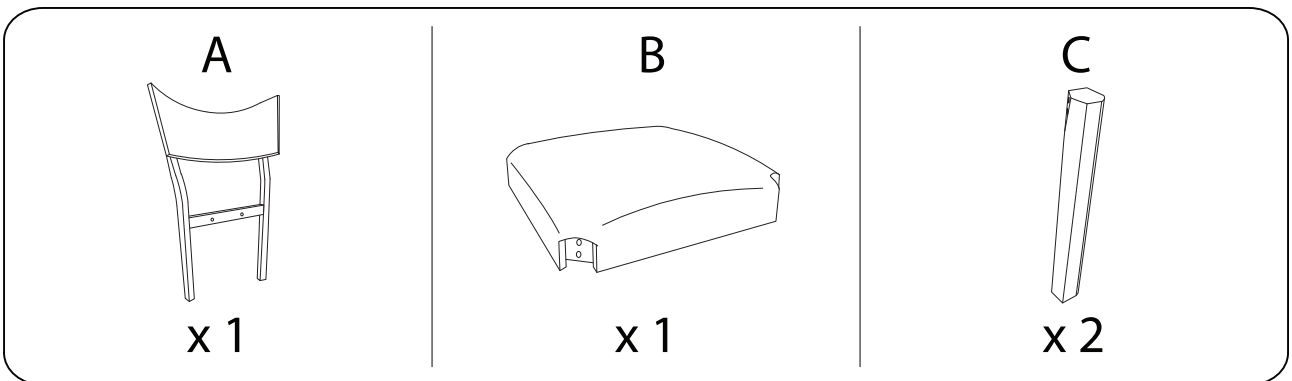
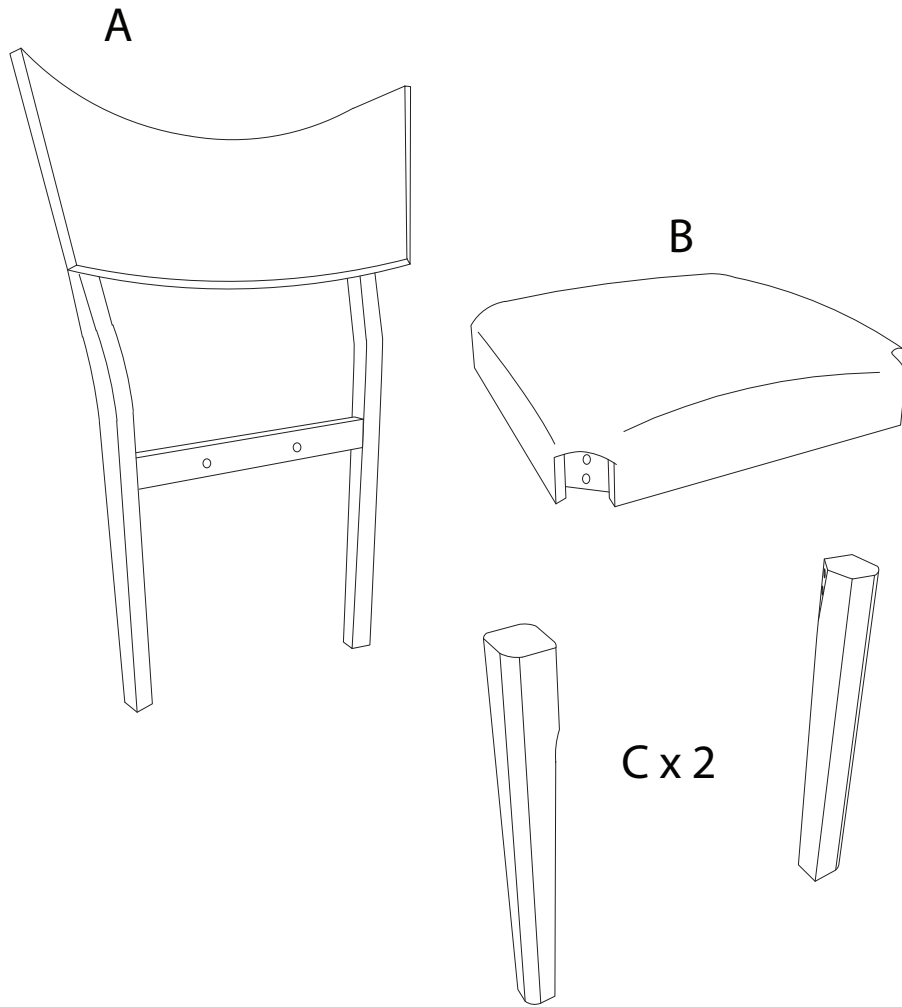


Diagram illustrating assembly steps and safety warnings:

- Step 1:** Shows an L-shaped metal bracket being inserted into a hole in a wooden leg. A power drill is shown with a slash through it, indicating that a drill should not be used for this step. A warning triangle with an exclamation mark is positioned to the right.
- Step 2:** Shows a rectangular wooden block being placed on a surface. A power drill is shown with a slash through it, indicating that a drill should not be used for this step. A warning triangle with an exclamation mark is positioned to the right.
- Time:** A clock icon indicates a duration of 30 minutes.
- Personnel:** An icon of a person indicates that 1 person is required for the assembly.

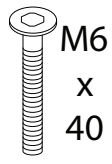


1



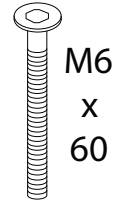
x 1

2



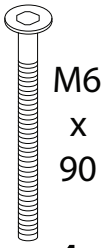
x 2

3



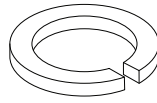
x 4

4



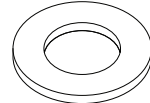
x 4

5



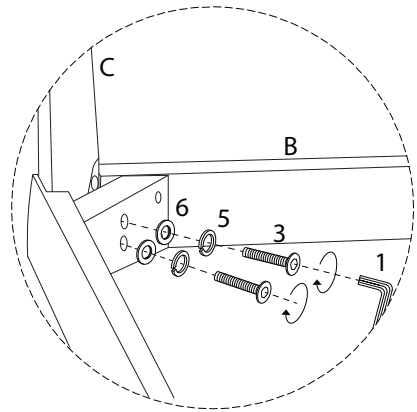
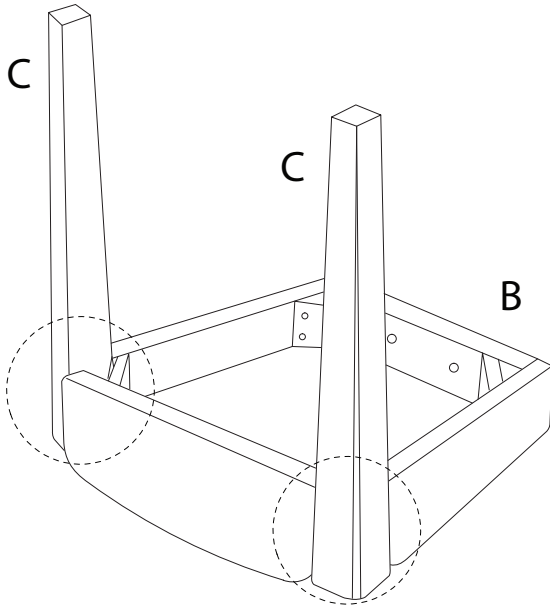
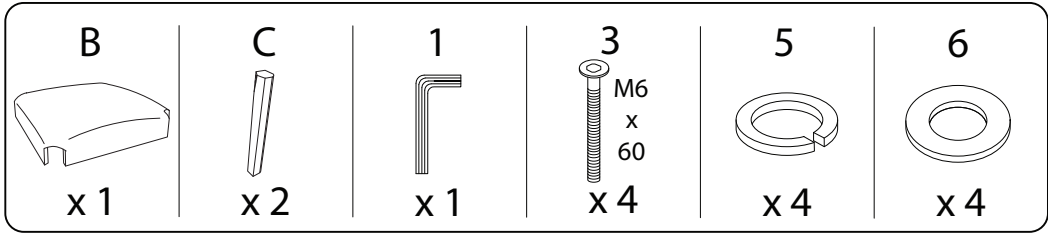
x 10

6

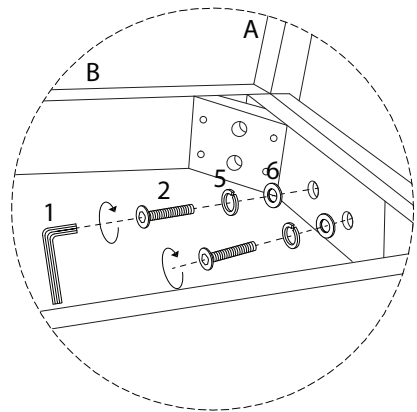
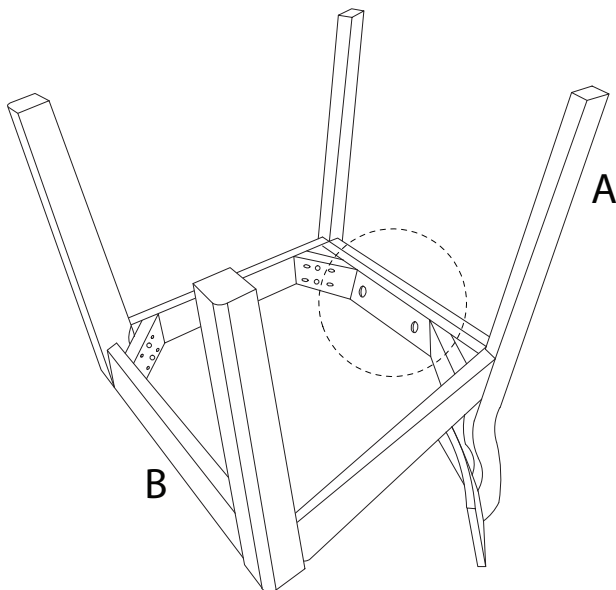
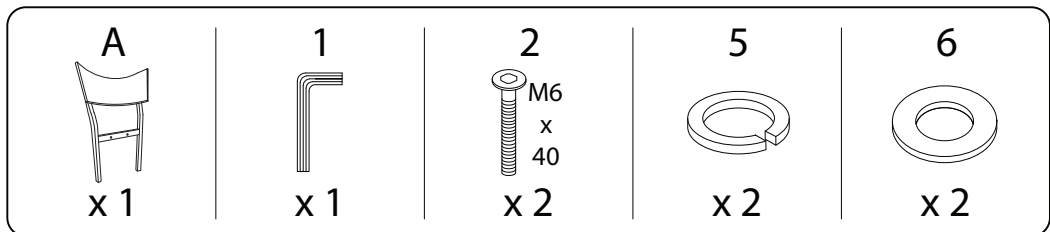


x 10

1

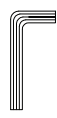


2



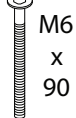
3

1



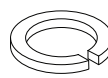
x 1

4



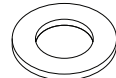
x 4

5



x 4

6



x 4

