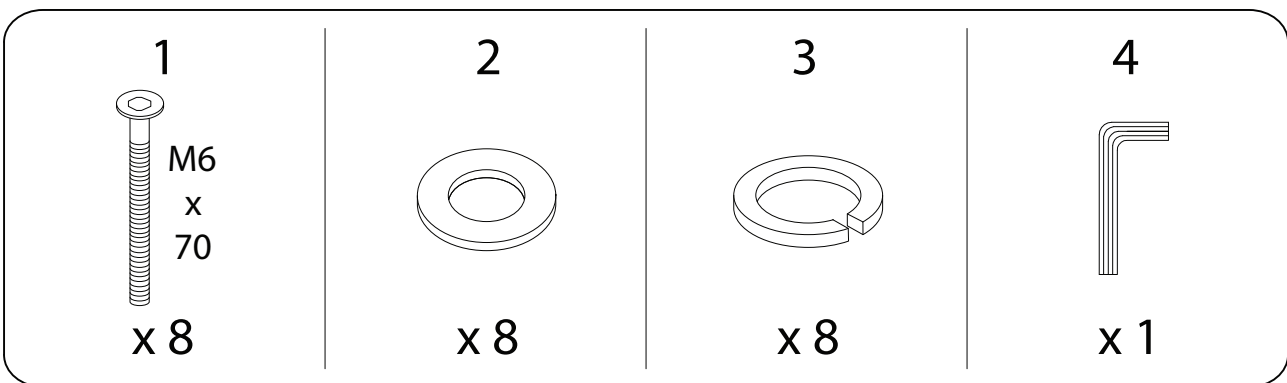
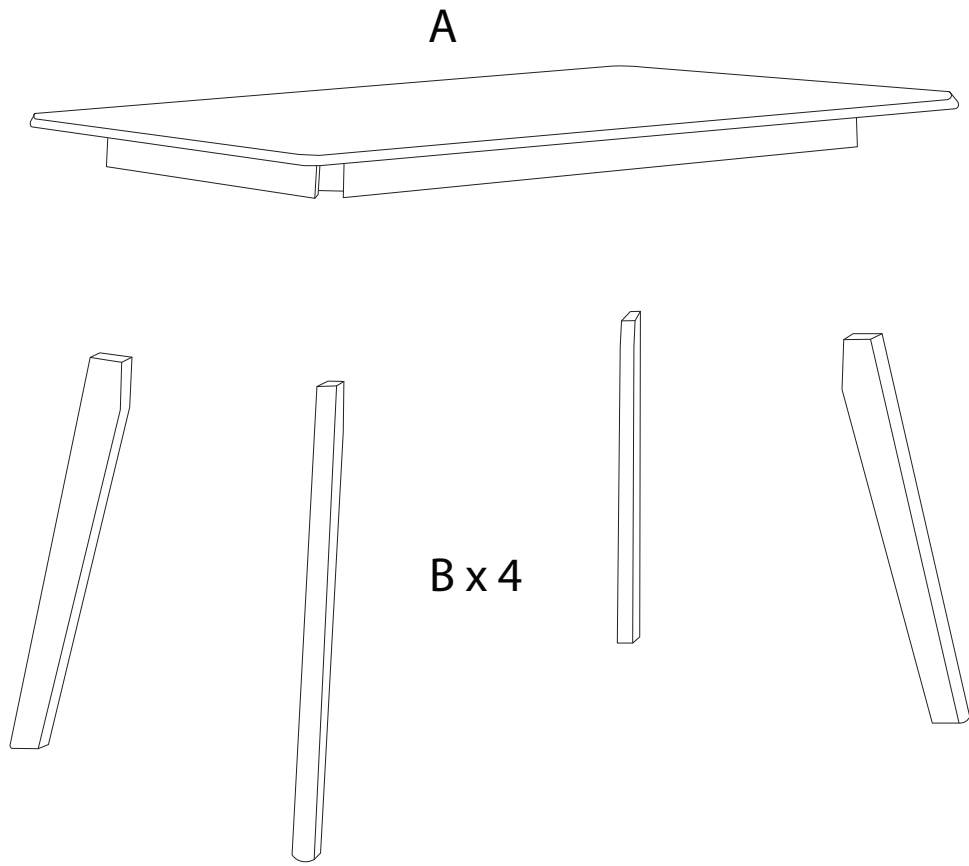
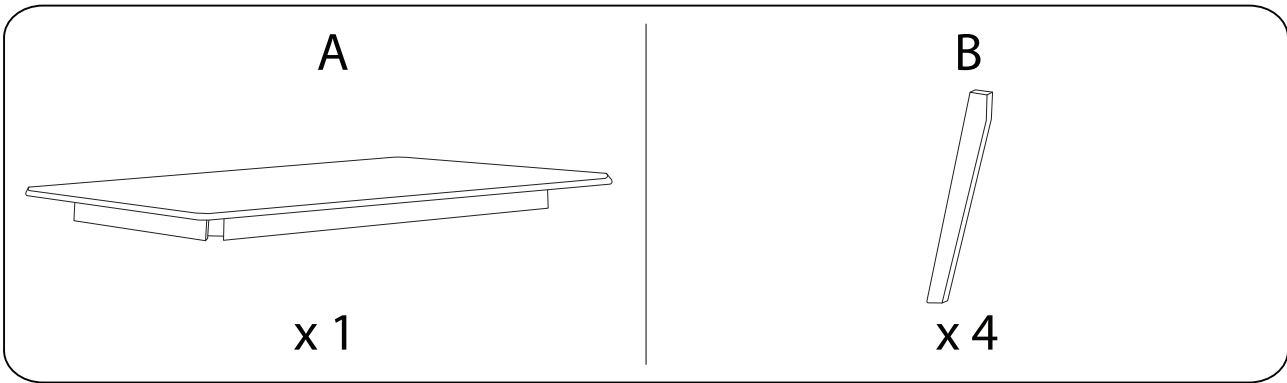




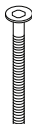

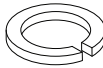
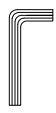


Diagram illustrating assembly instructions and safety warnings:

- Warning 1:** A warning triangle with an exclamation mark is positioned above a box containing an L-shaped metal bracket and a power drill with a slash through it, indicating that a power drill should not be used for this step.
- Warning 2:** A second warning triangle with an exclamation mark is positioned above a box containing a rectangular block being placed on a surface and a diagram showing a block being secured with a bolt and nut, indicating a specific assembly method.
- Time:** A clock icon is shown next to the text "30'", indicating the estimated assembly time.
- Personnel:** An icon of a person is shown next to the number "2", indicating that two people are required for assembly.



1

A  x 1	B  x 4	1  M6 x 70 x 8	2  x 8	3  x 8	4  x 1
--	--	---	---	--	--

