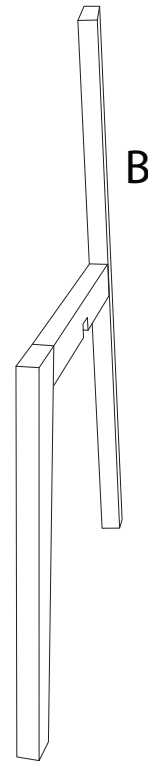
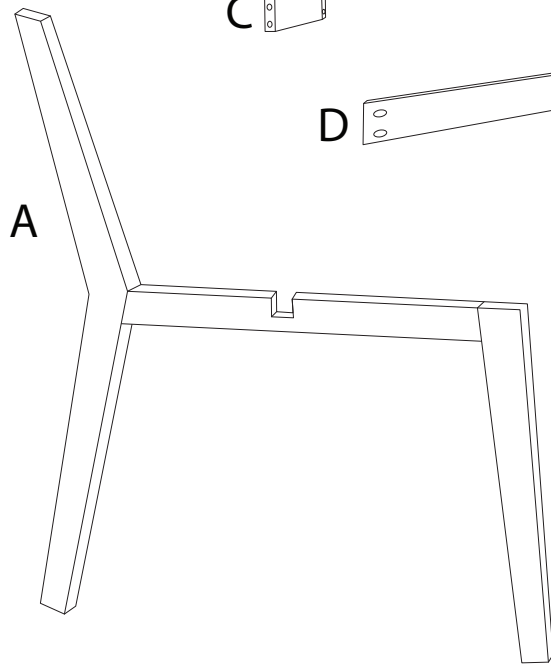
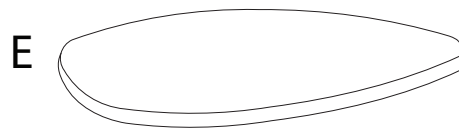
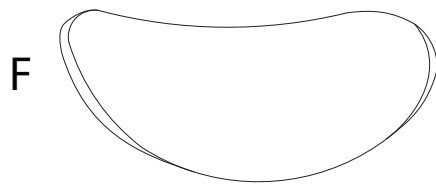


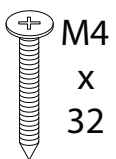

30'

1

1/5

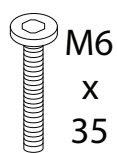


1



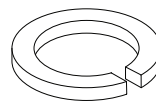
x 12

2



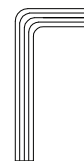
x 4

3



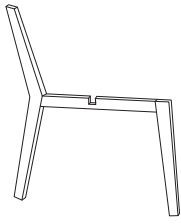
x 4

4



x 1

A



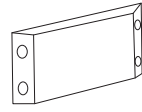
x 1

B



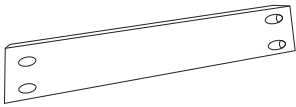
x 1

C



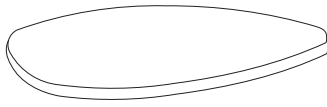
x 1

D



x 1

E



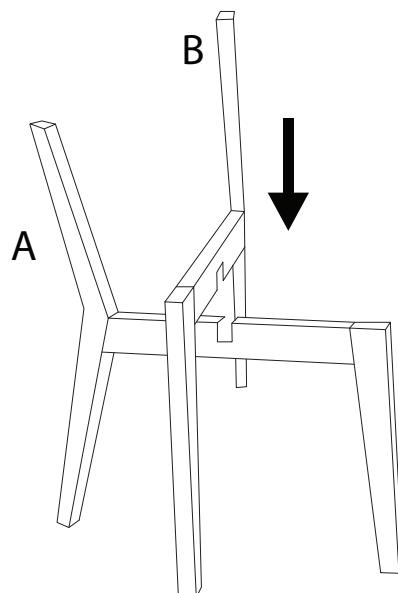
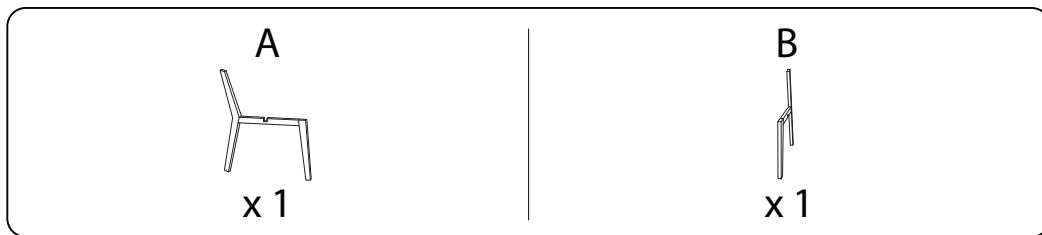
x 1

F

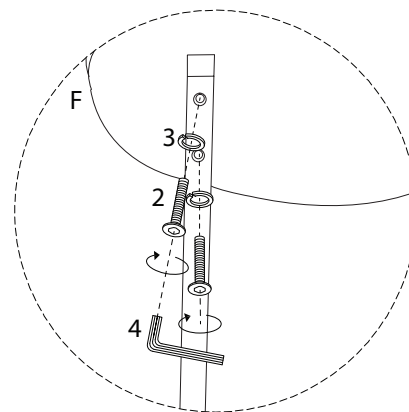
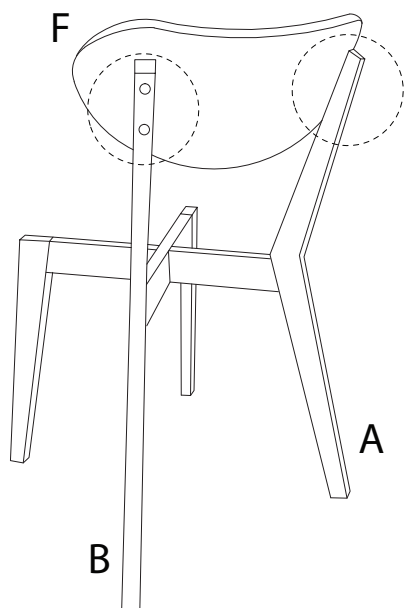
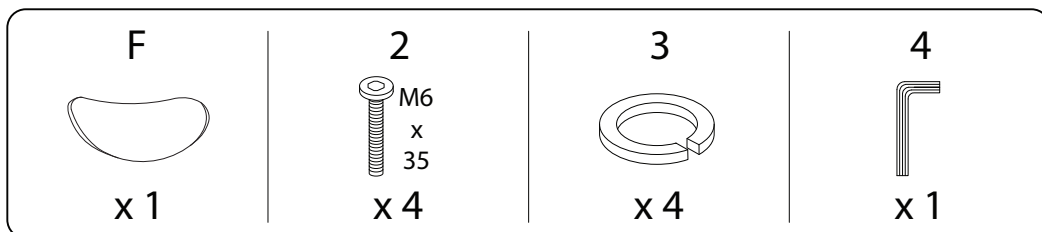


x 1

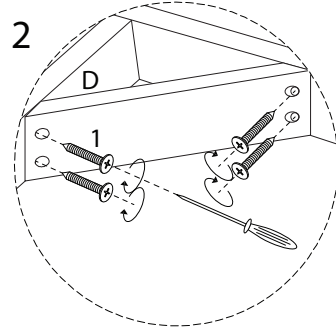
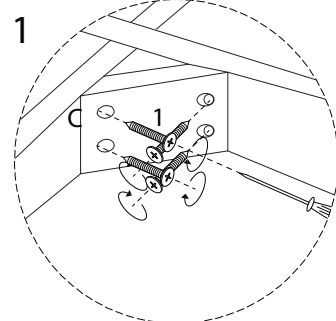
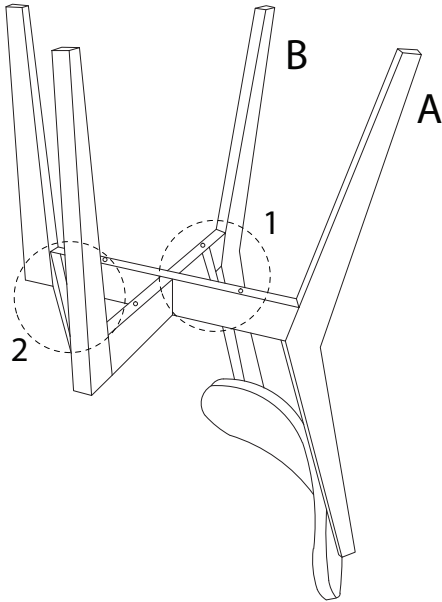
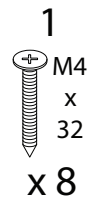
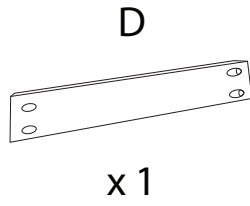
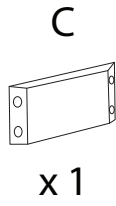
1



2



3



4

