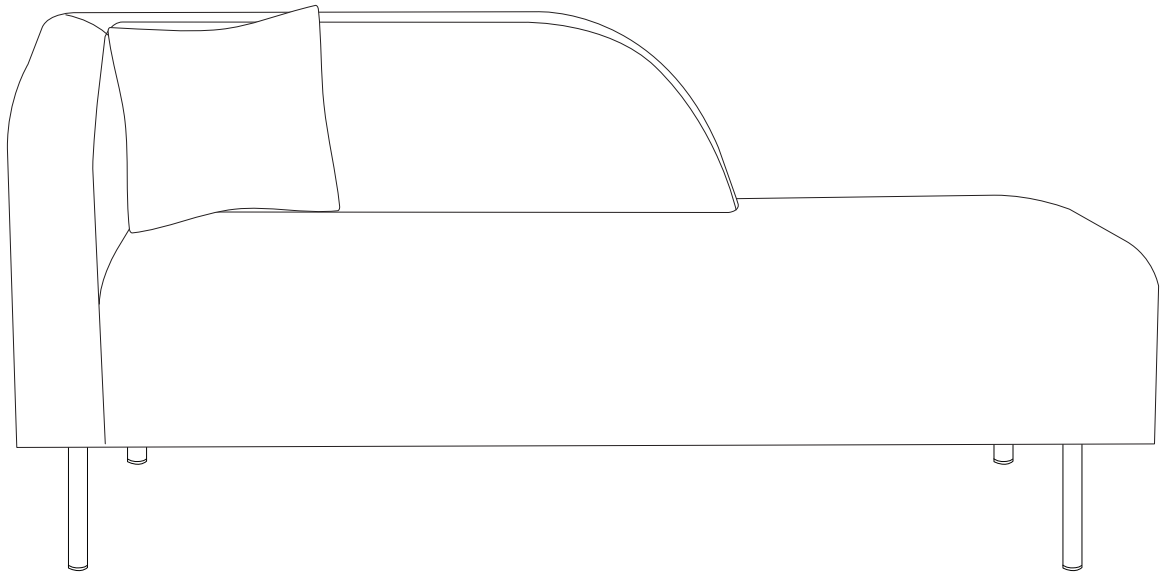


LA CRAU



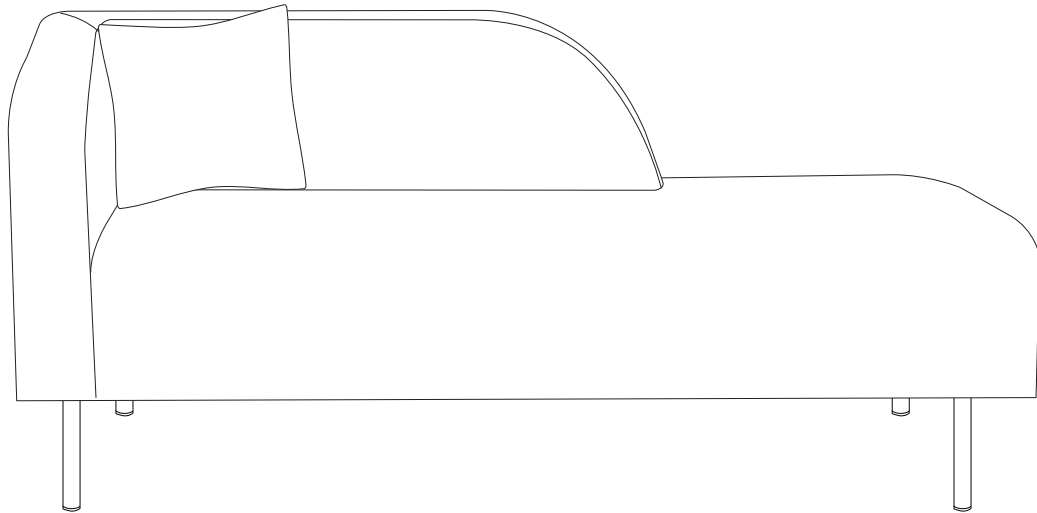
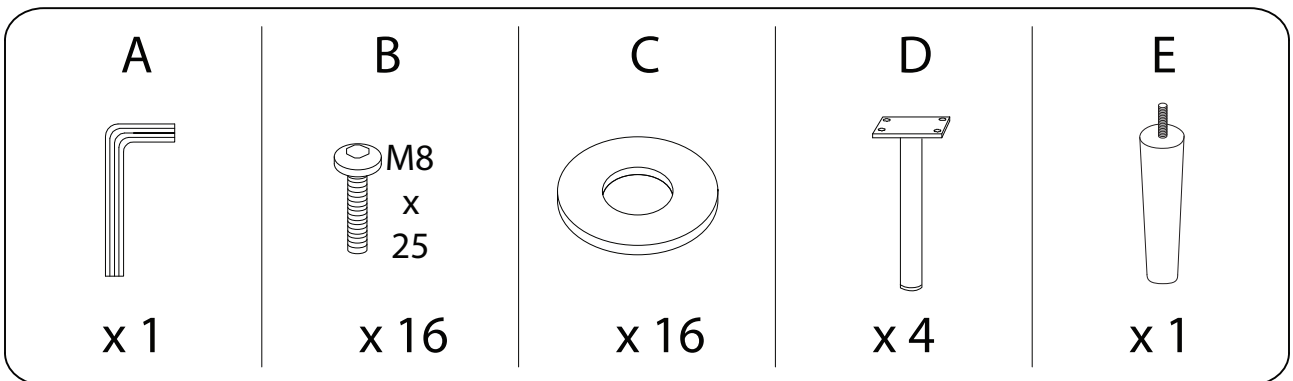
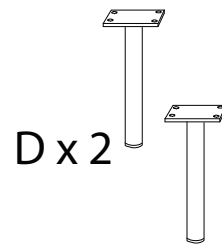
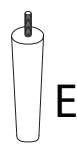
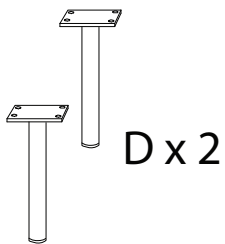
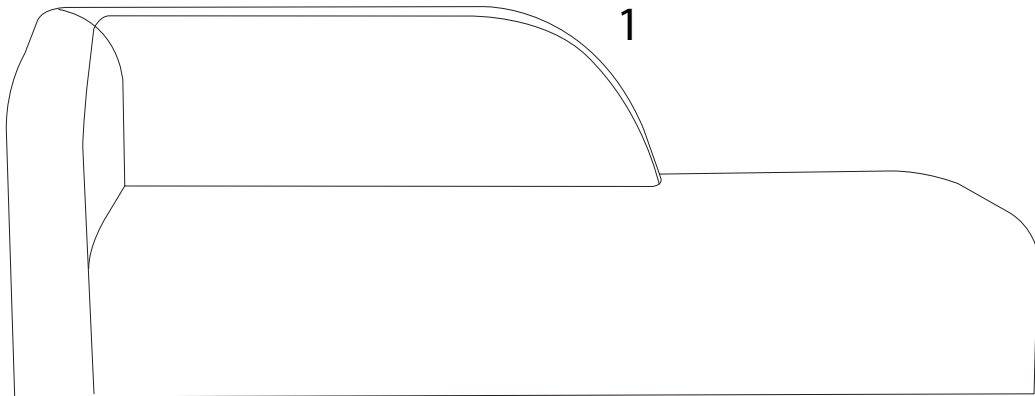
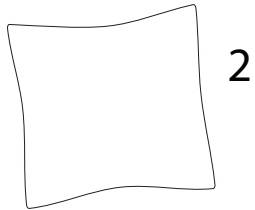
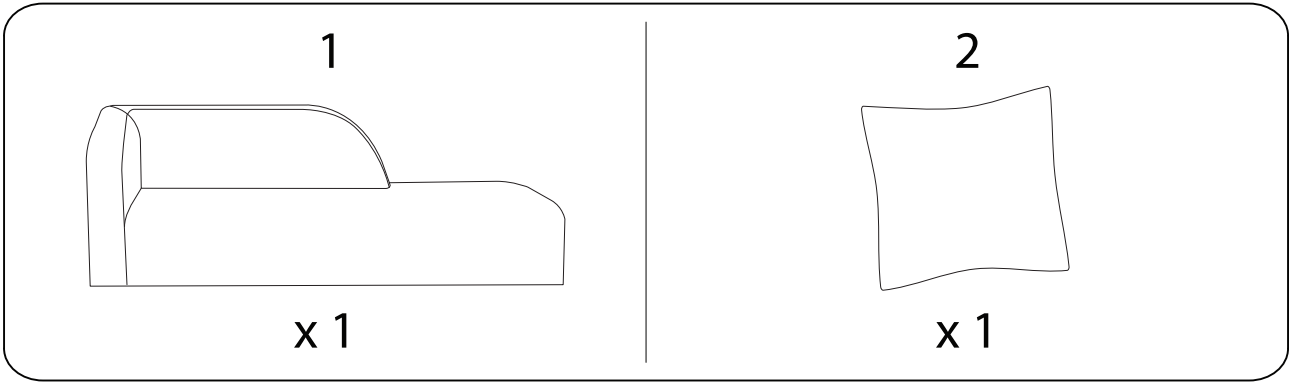
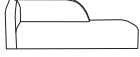
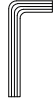
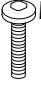
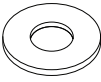




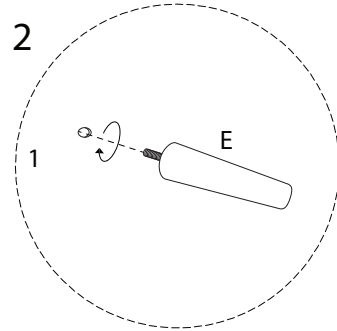
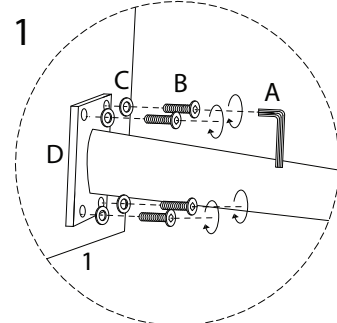
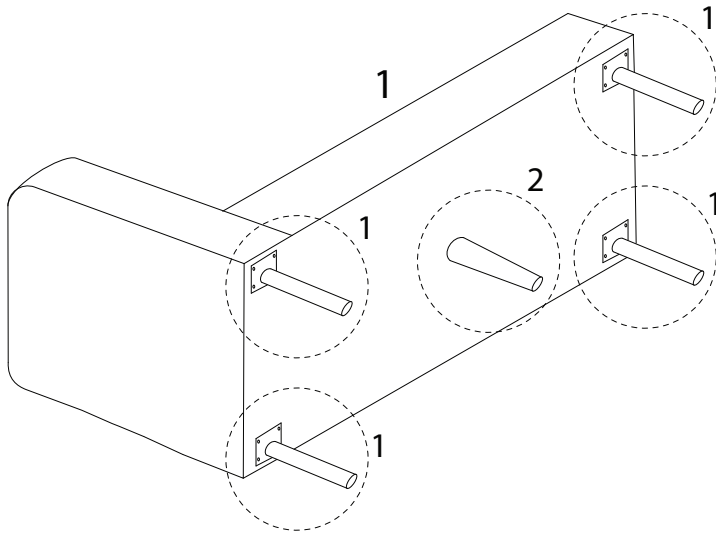
Diagram illustrating assembly instructions and safety warnings:

- Warning 1:** A warning triangle with an exclamation mark is positioned above a box containing an L-shaped bracket and a power drill with a diagonal slash through it, indicating that a power drill should not be used for this step.
- Warning 2:** A second warning triangle with an exclamation mark is positioned above a box containing a rectangular block being placed on a surface and another block being secured with a screw, indicating a specific assembly method.
- Time:** A clock icon is shown next to the text "25'", indicating the estimated time for this step.
- Personnel:** An icon of a person is shown next to the number "1", indicating that one person is required for this step.



1

| | | | | | |
|---|---|---|---|---|---|
| <p>1</p>  <p>x 1</p> | <p>A</p>  <p>x 1</p> | <p>B</p>  <p>M8 x 25</p> <p>x 16</p> | <p>C</p>  <p>x 16</p> | <p>D</p>  <p>x 4</p> | <p>E</p>  <p>x 1</p> |
|---|---|---|---|---|---|



2

