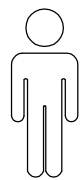
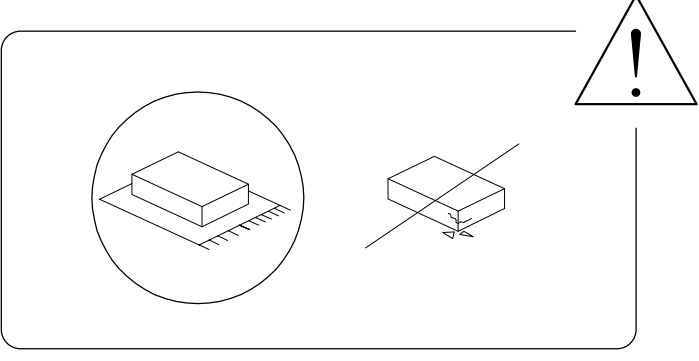
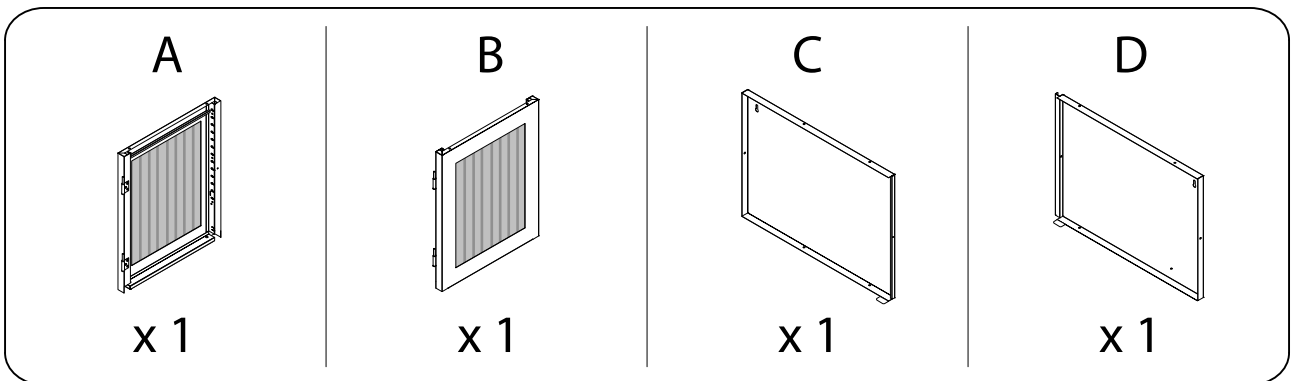
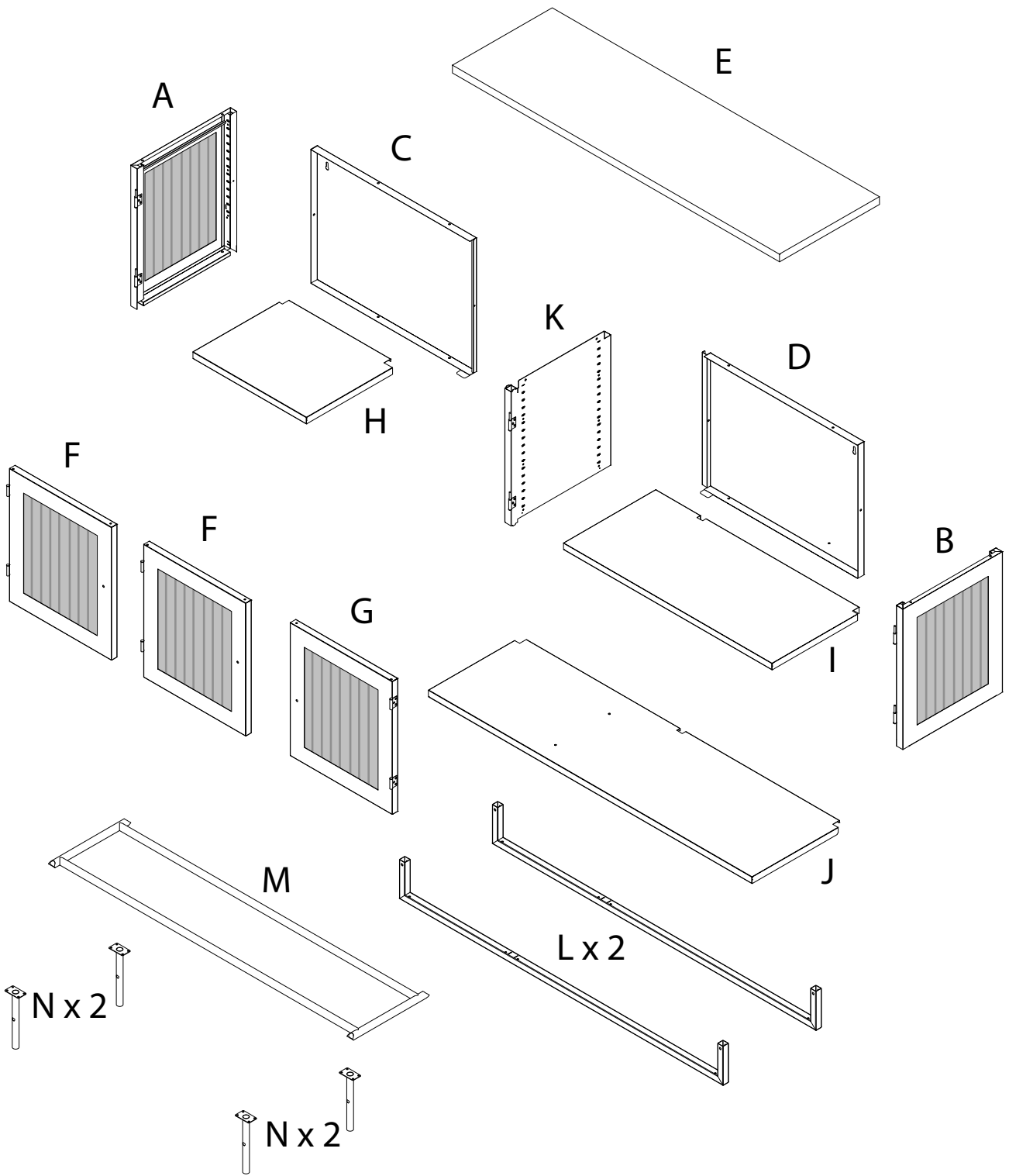


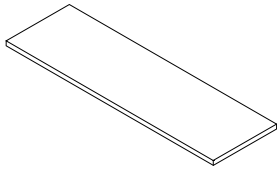
90'



1

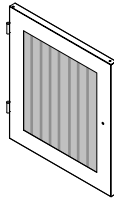


E



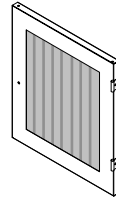
x1

F



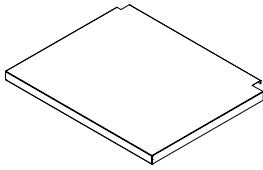
x2

G



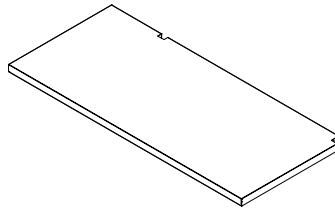
x1

H



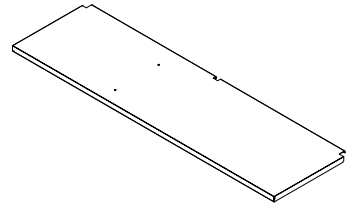
x1

I



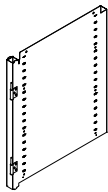
x1

J



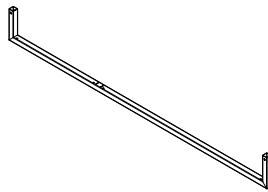
x1

K



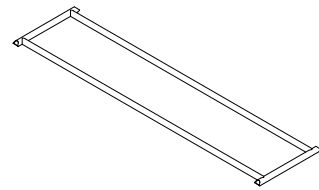
x1

L



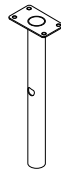
x2

M



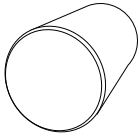
x1

N



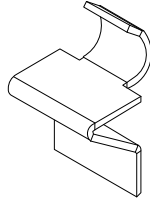
x4

1



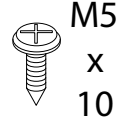
x 3

2



x 8

3



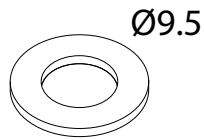
x 35

4



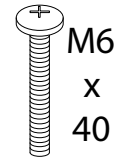
x 3

5



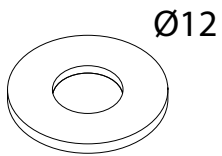
x 3

6



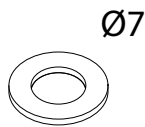
x 4

7



x 4

8



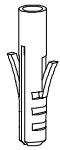
x 6

9



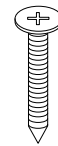
x 1

10a



x 2

10b



x 2

1

A



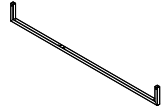
x1

B

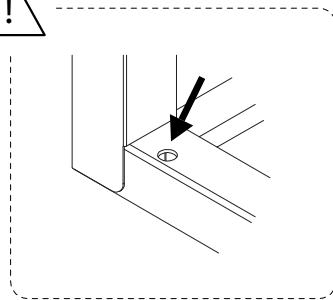
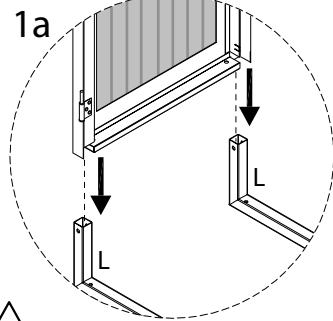
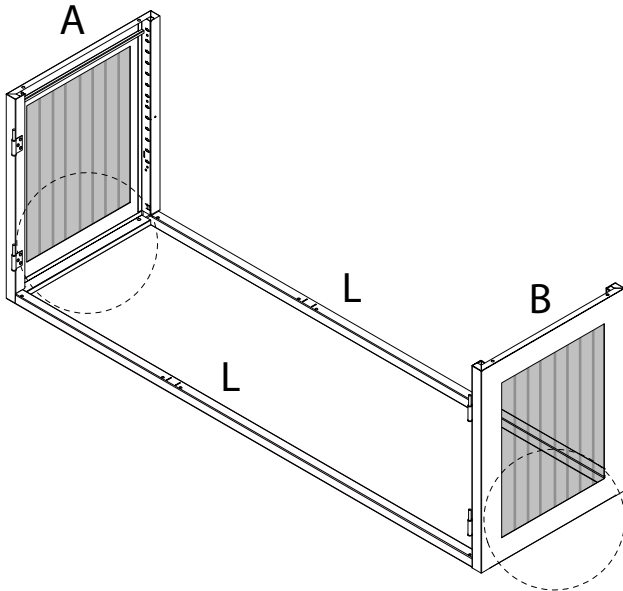


x1

L

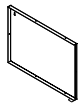


x2



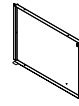
2

C

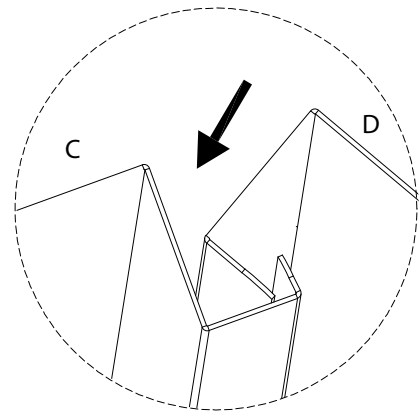
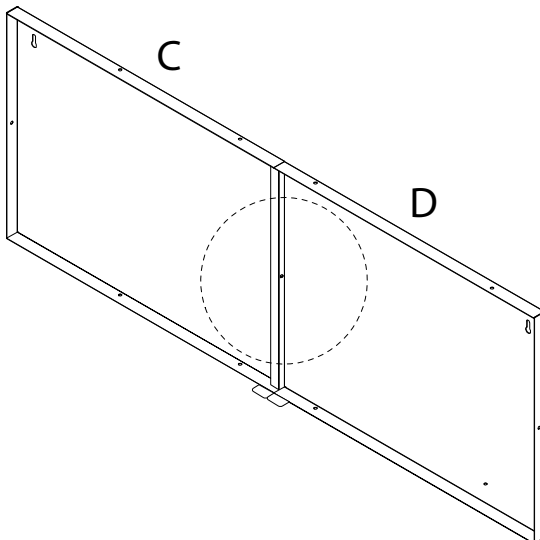


x1

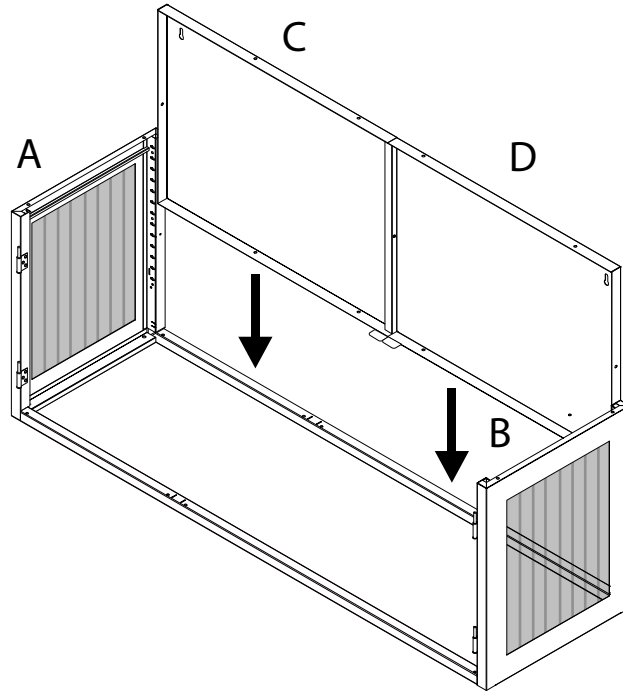
D



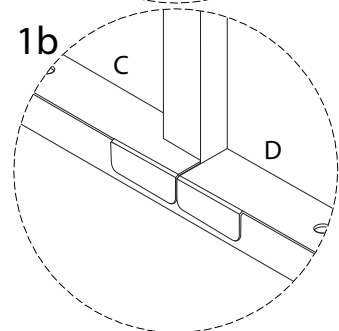
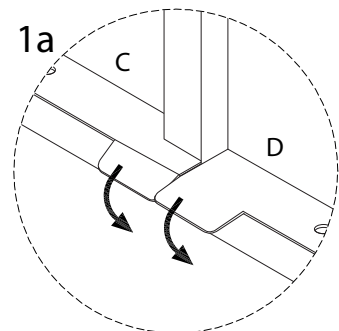
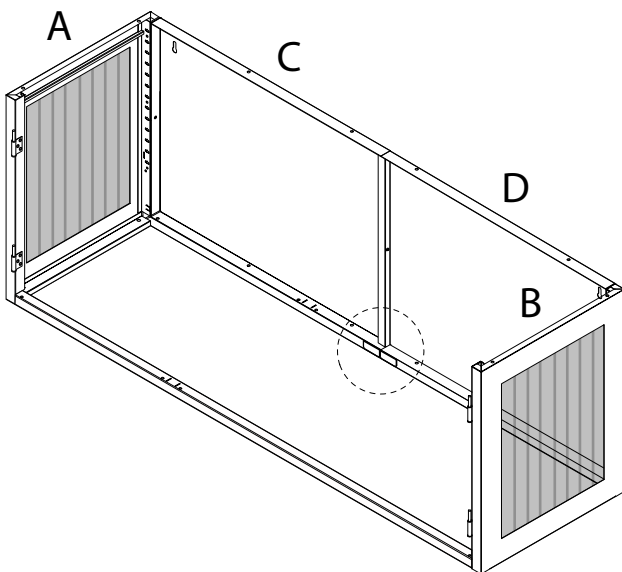
x1



3

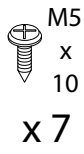


4

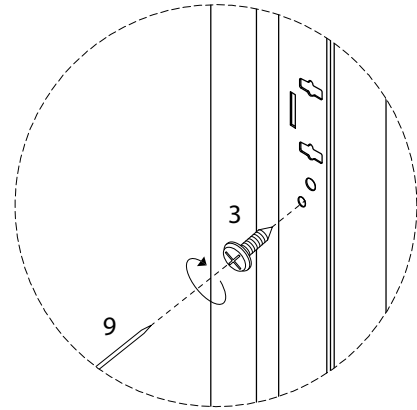
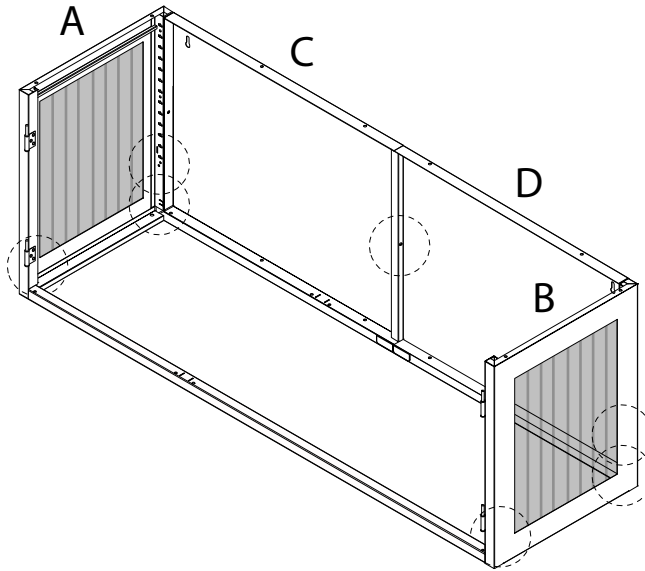


5

3

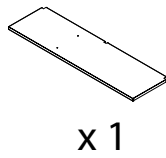


9

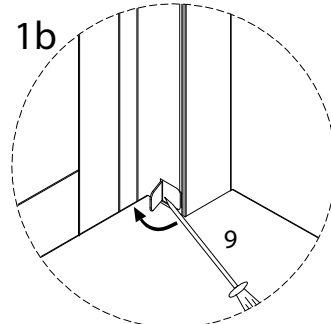
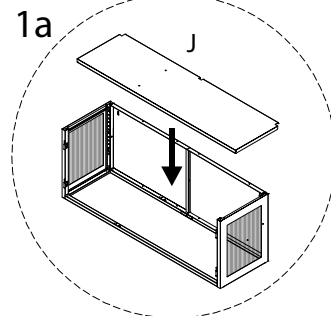
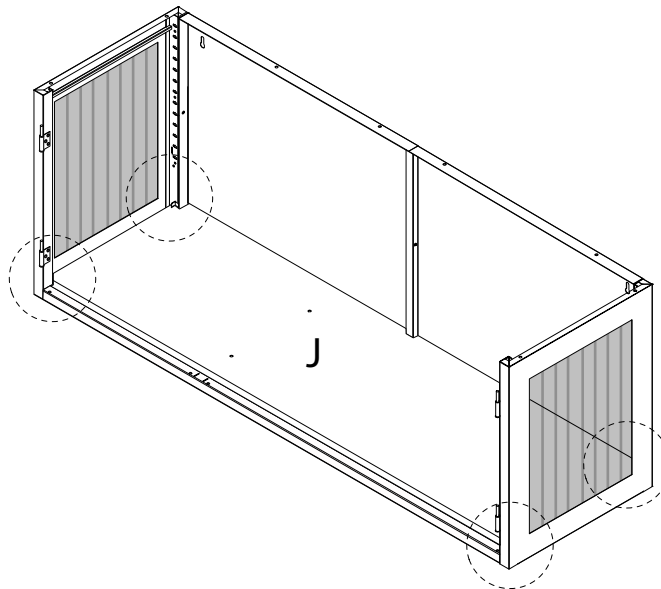


6

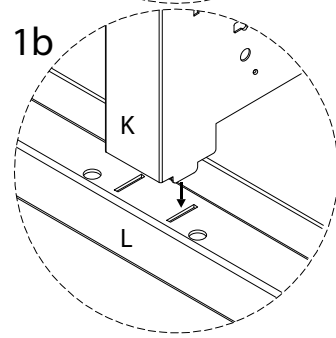
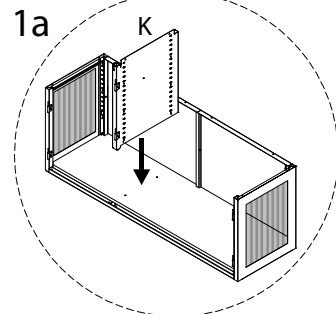
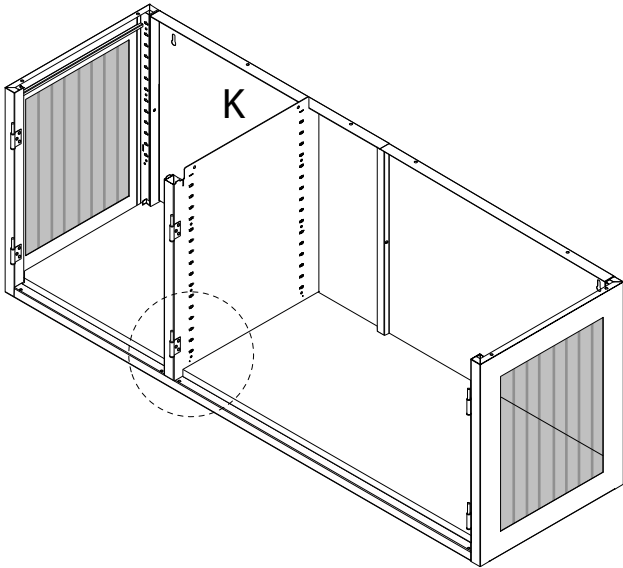
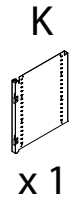
J



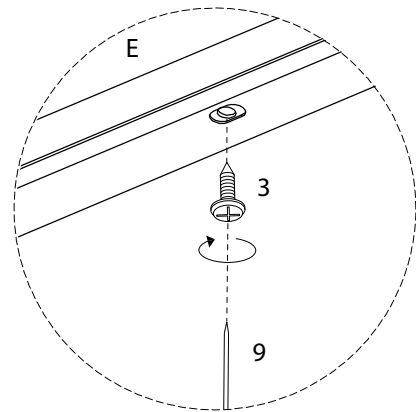
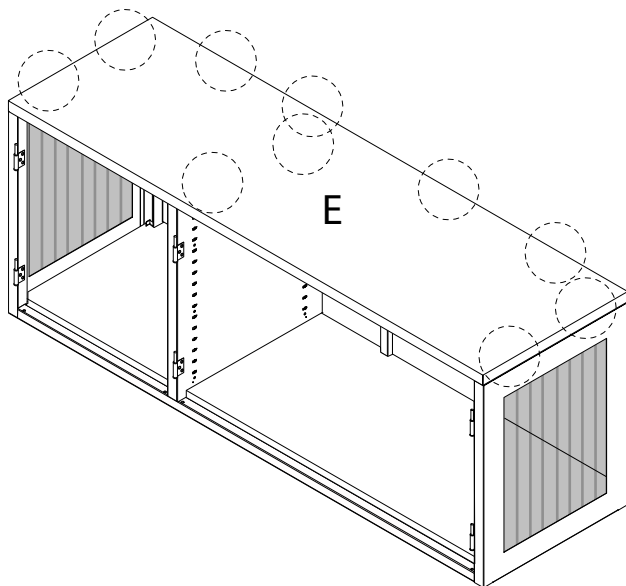
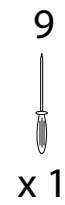
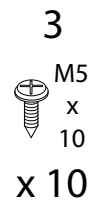
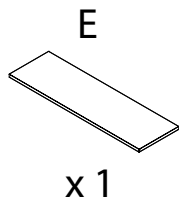
9



7

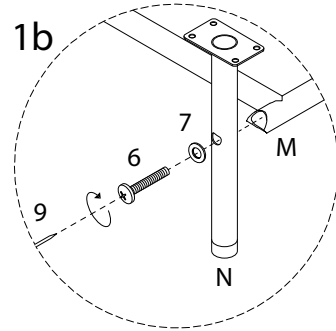
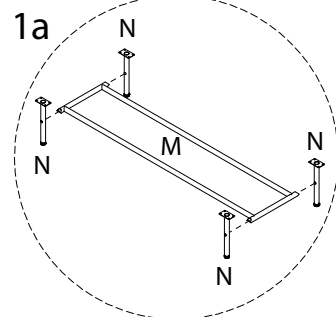
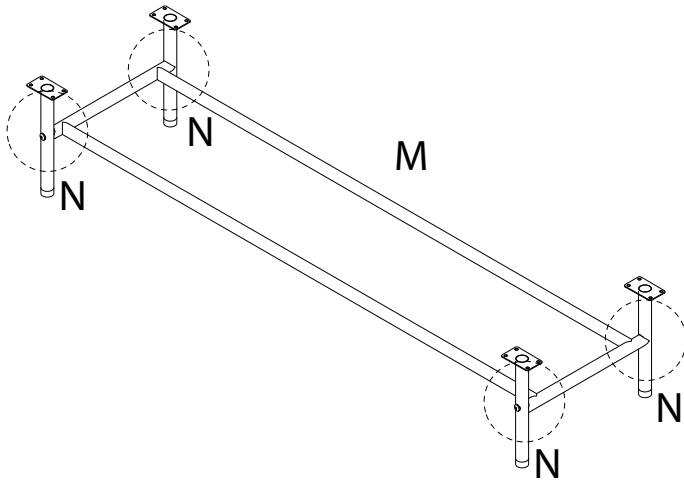
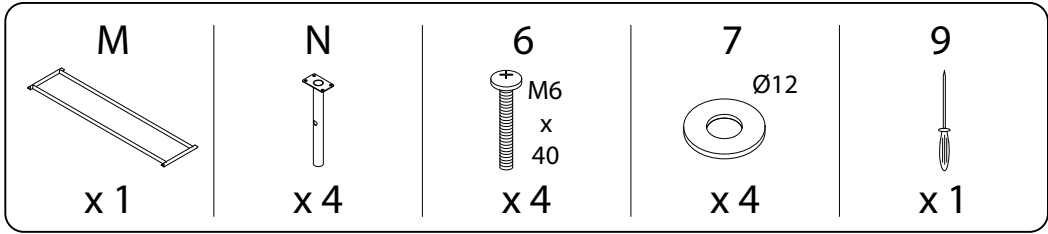


8

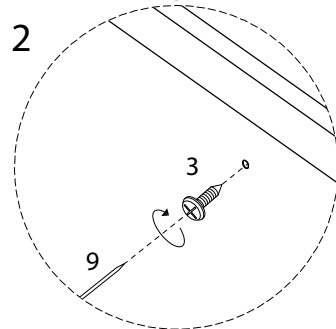
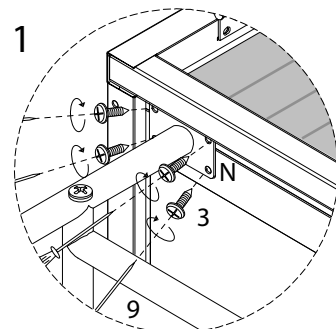
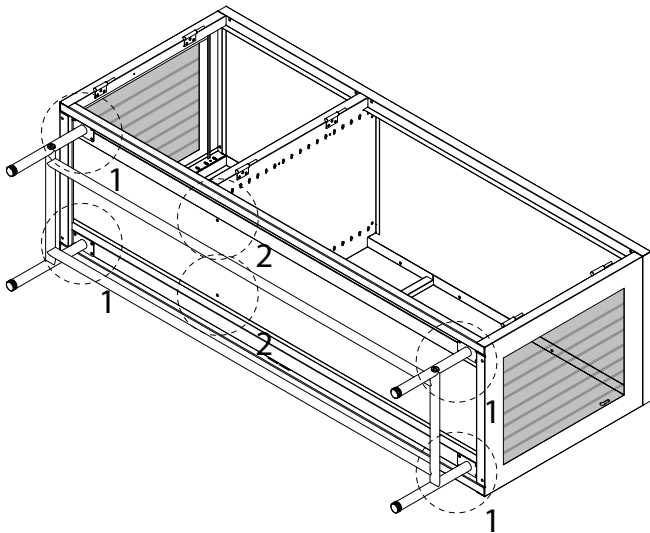
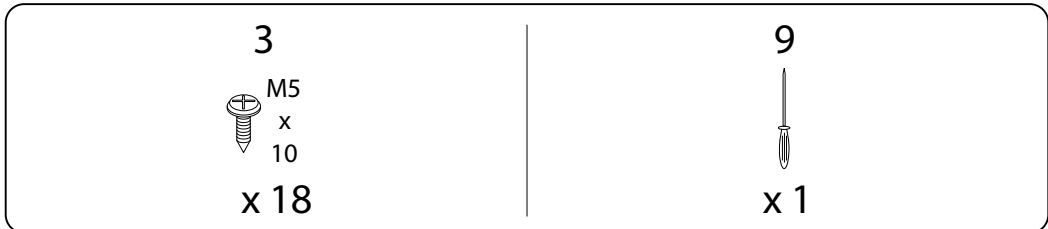




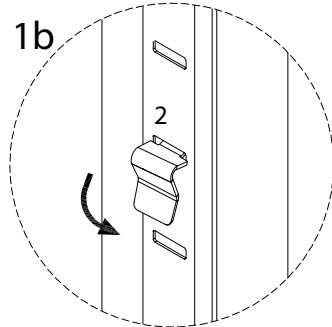
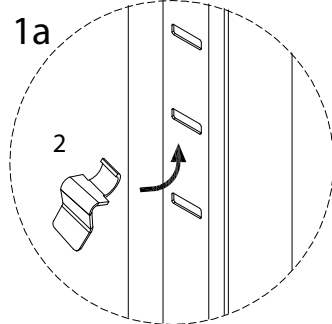
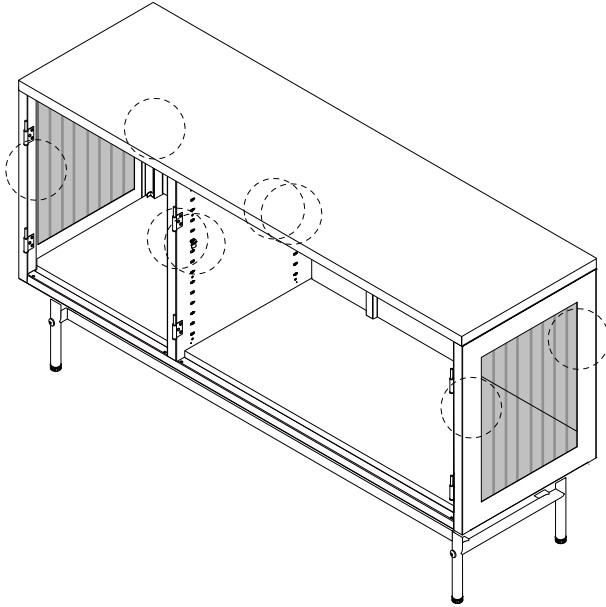
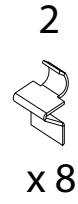
9



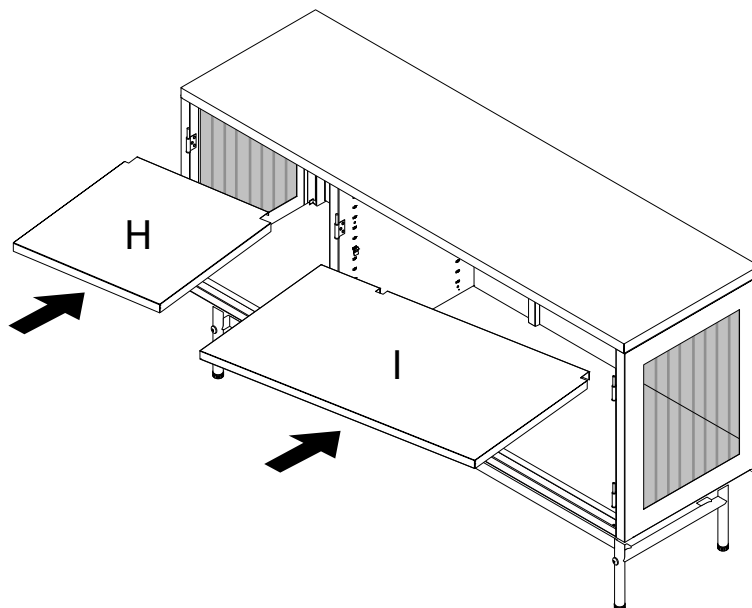
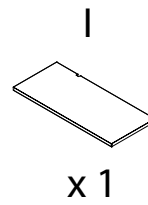
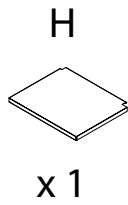
10



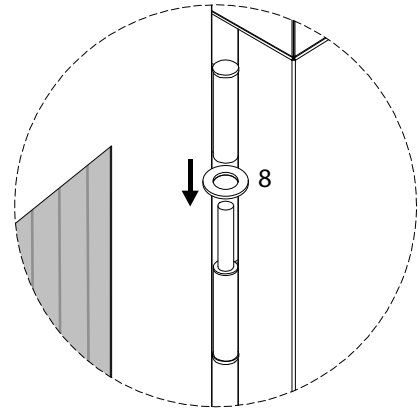
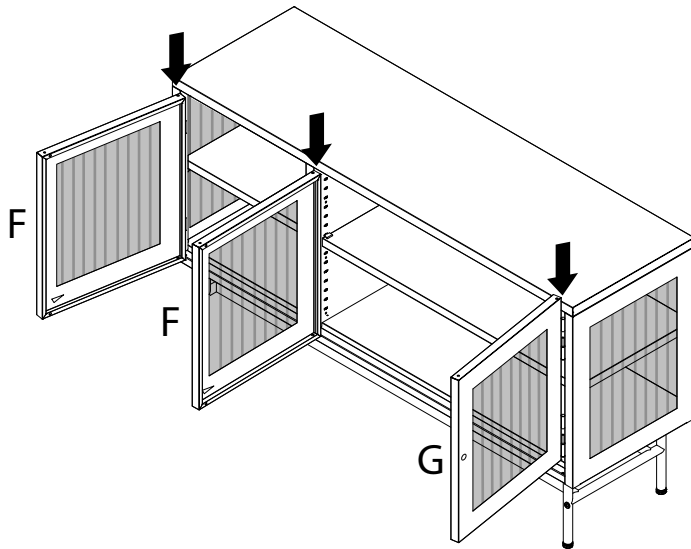
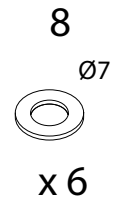
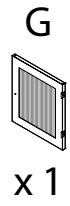
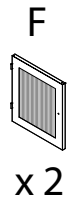
11



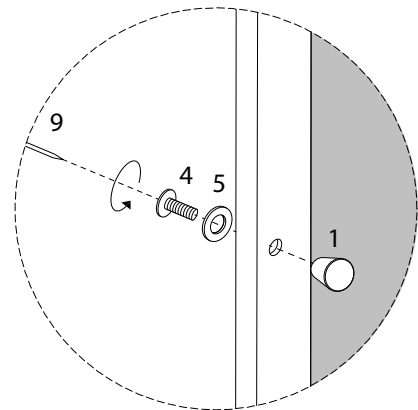
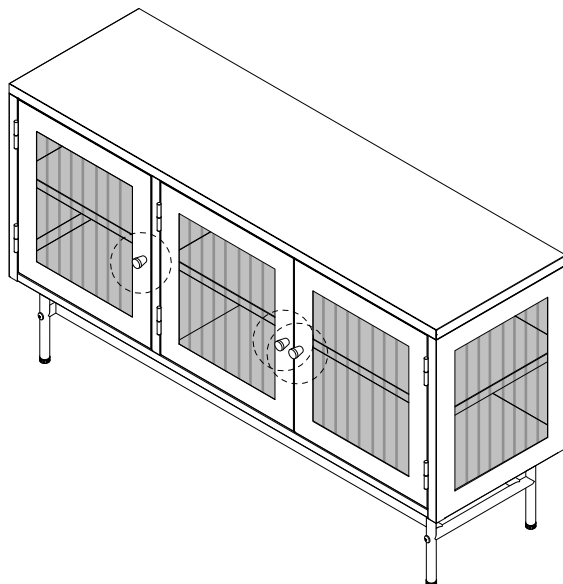
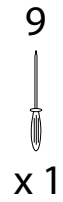
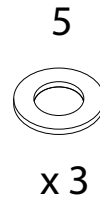
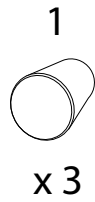
12



13

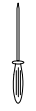


14



15

9



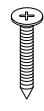
x 1

10a



x 2

10b



x 2

