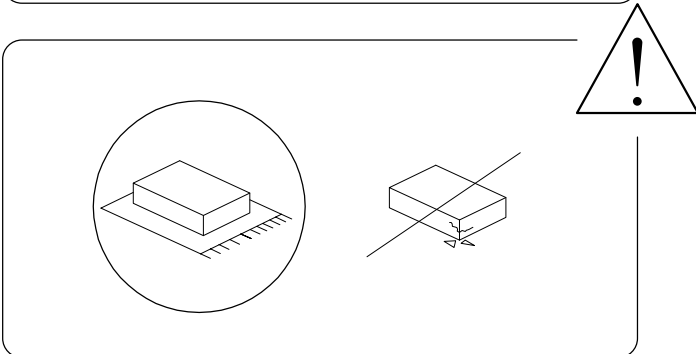
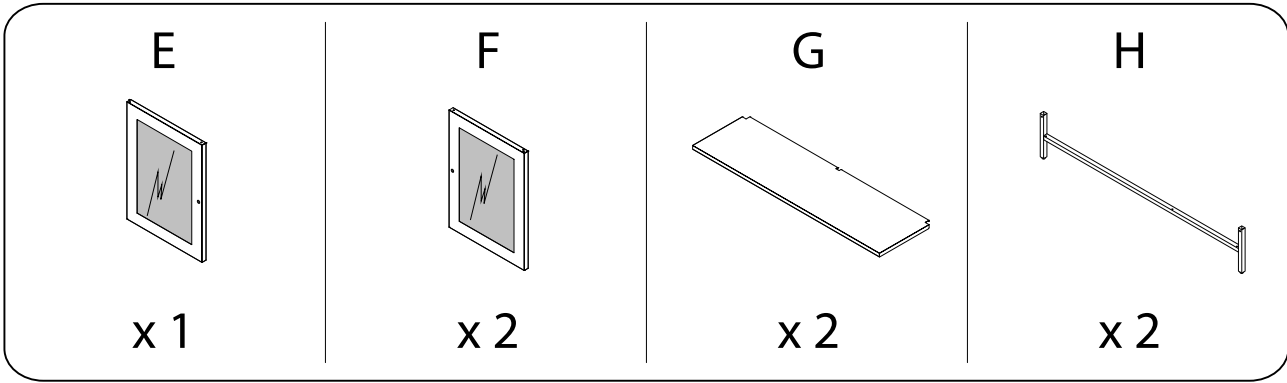
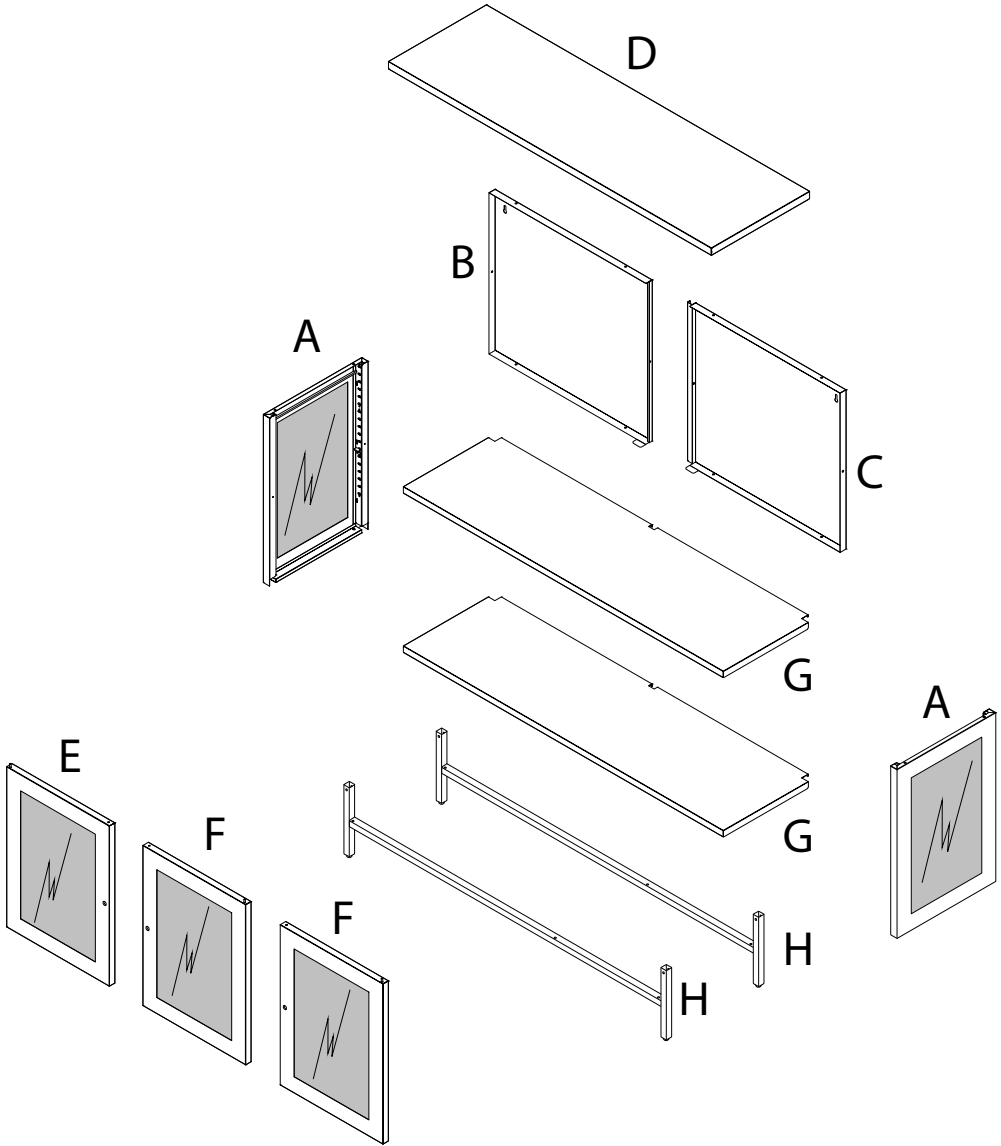
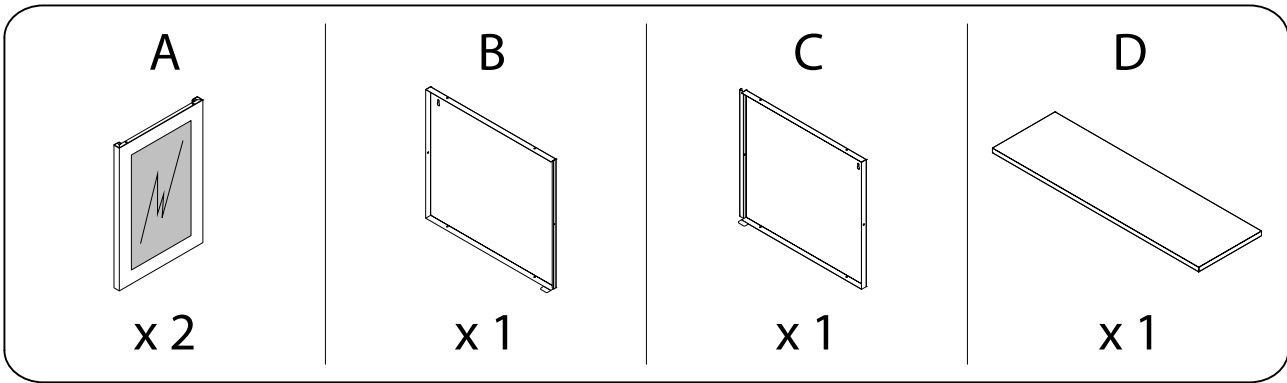


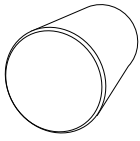
60'



1

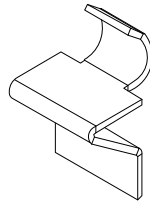


1



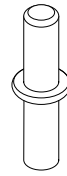
x 3

2



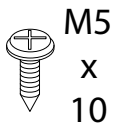
x 4

3



x 3

4



M5  
x  
10

x 15

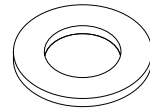
5



M4  
x  
22

x 3

6



x 6

7



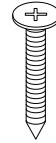
x 1

8a



x 2

8b



x 2

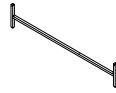
1

A

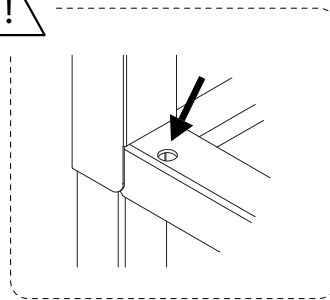
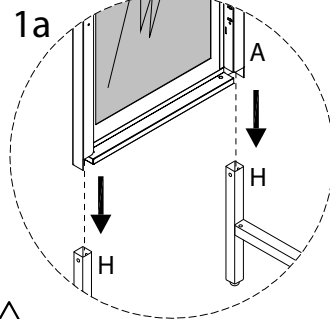
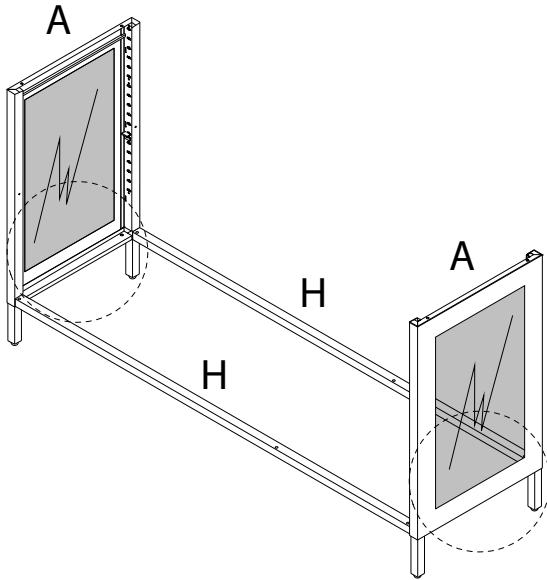


x 2

H

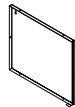


x 2



2

B

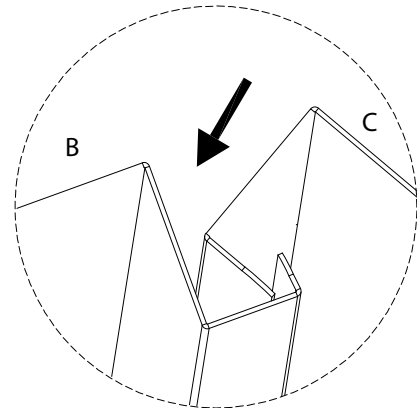
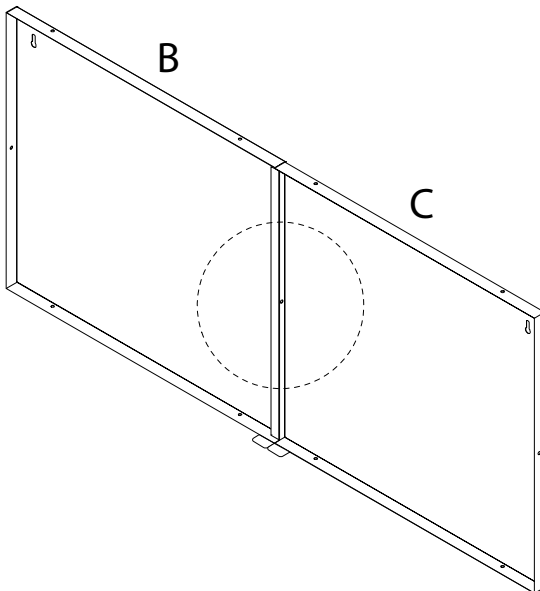


x 1

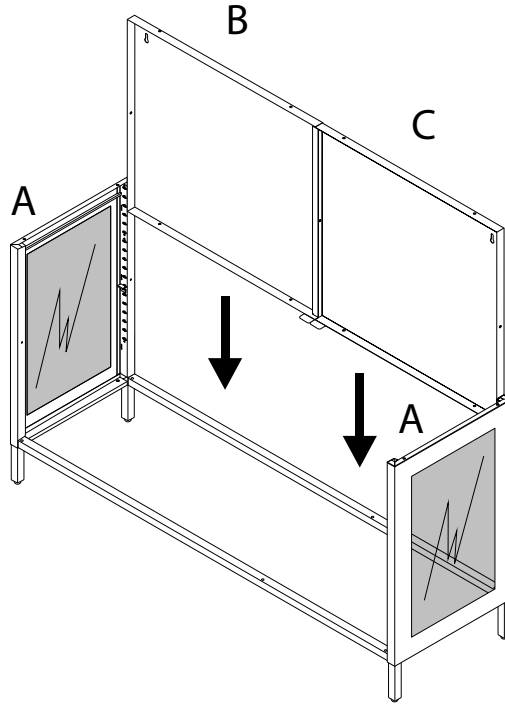
C



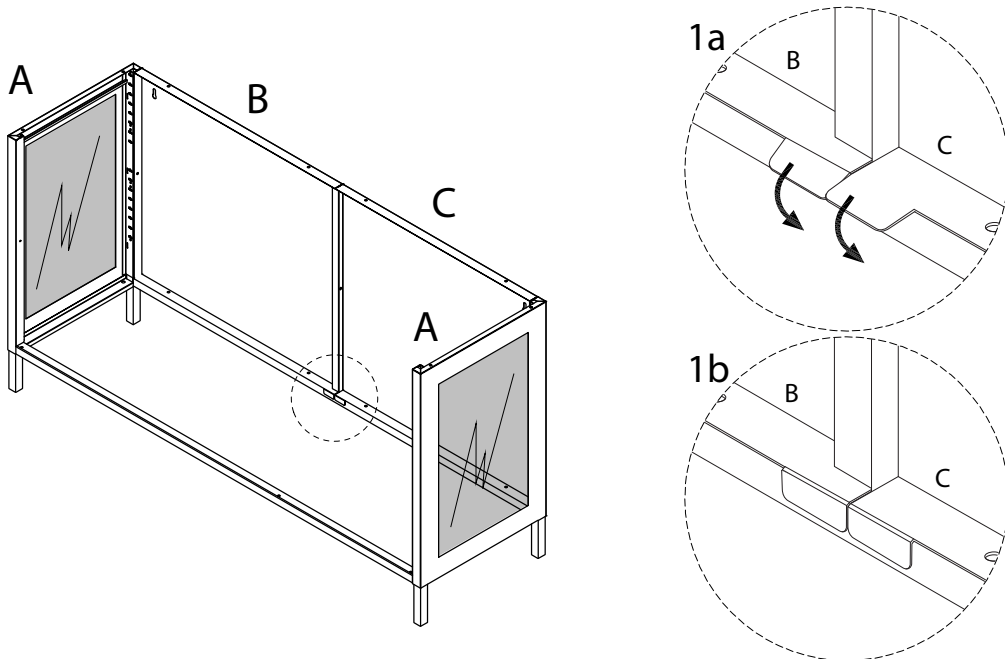
x 1



3



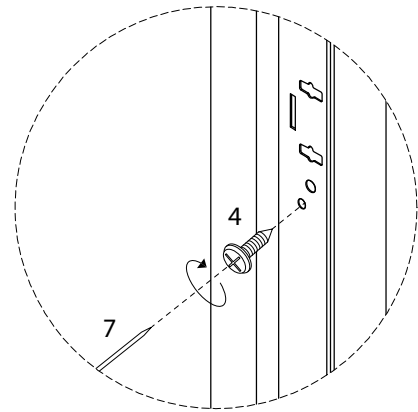
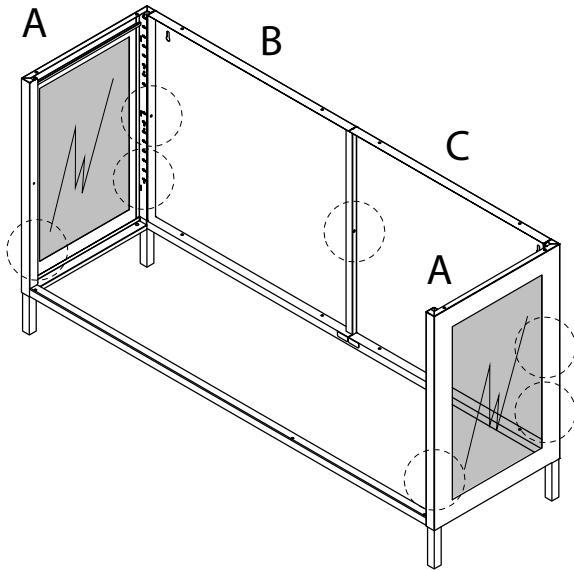
4



5

4  
M5  
x  
10  
x7

7  
x1

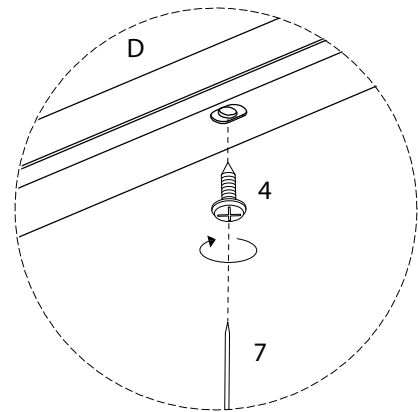
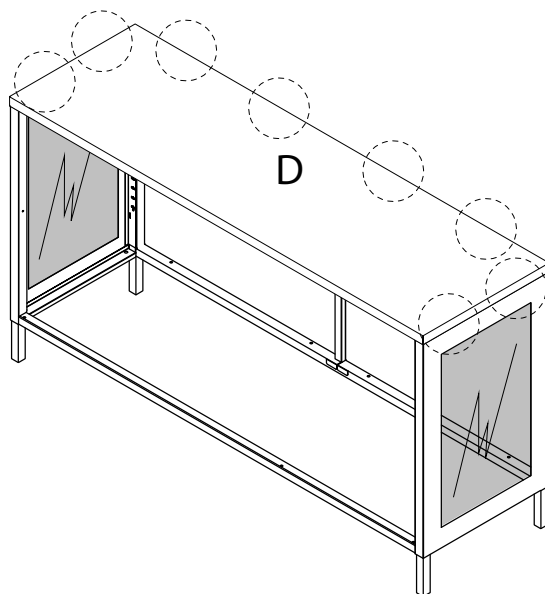


6

D  
x1

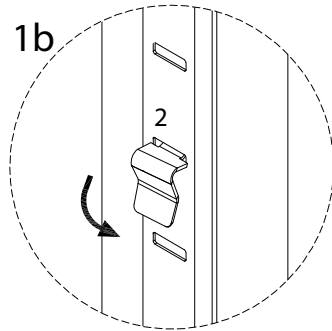
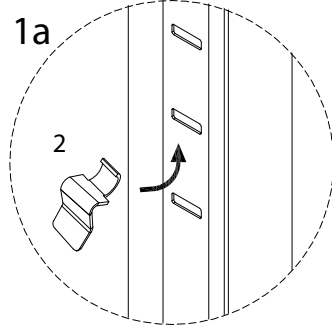
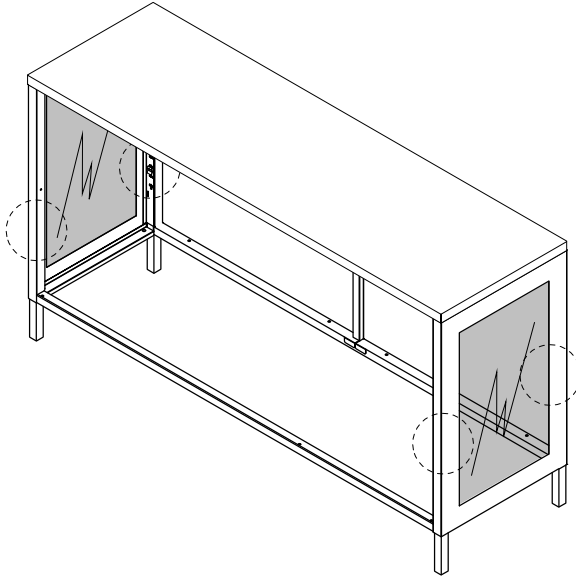
4  
M5  
x  
10  
x8

7  
x1



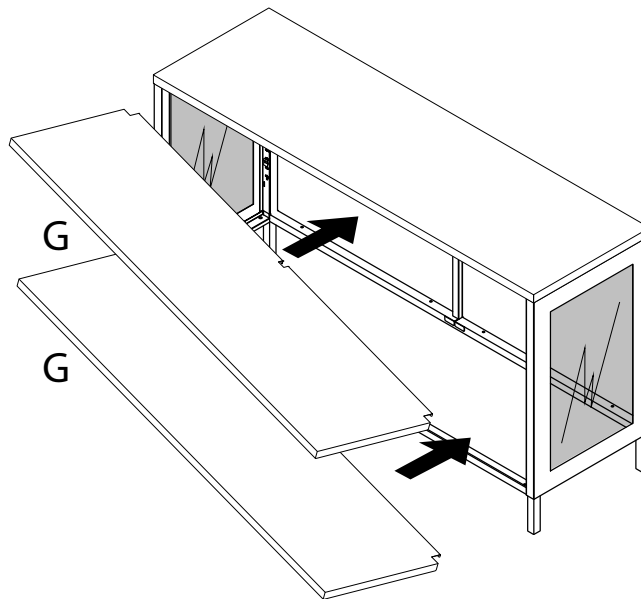
7

2  
x4



8

G  
x2



9

3

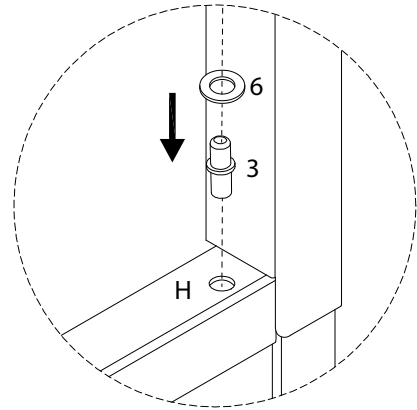
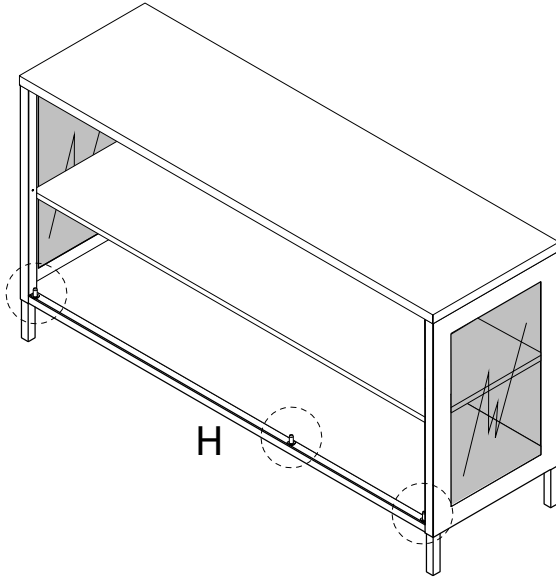


x 3

6



x 3



10

E

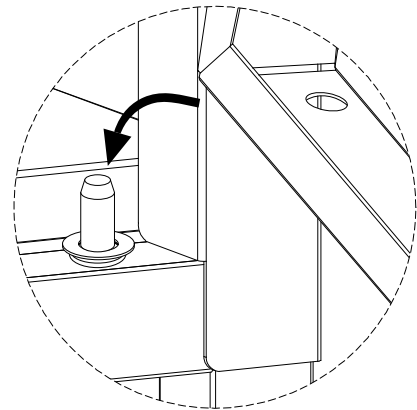
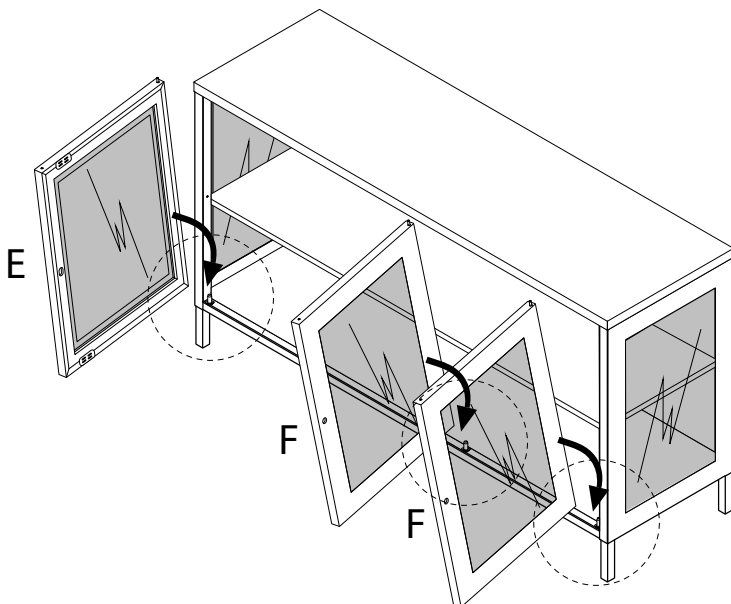


x 1

F

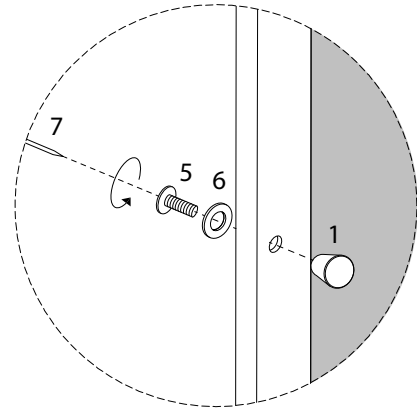
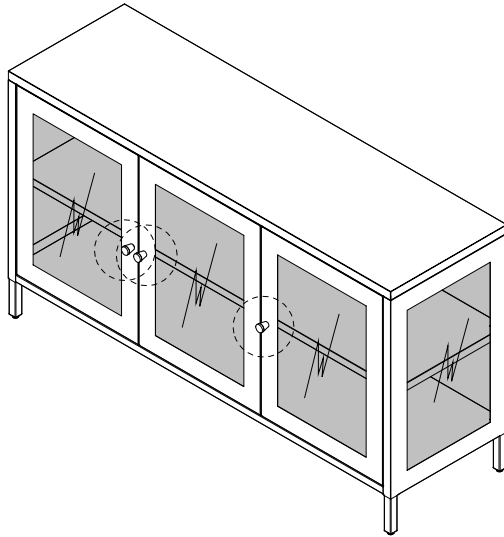
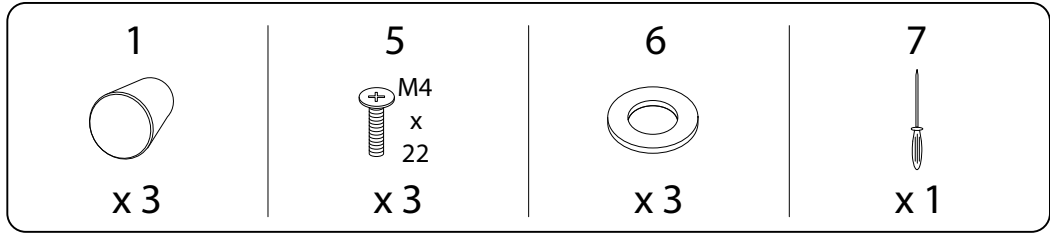


x 2





11



12

