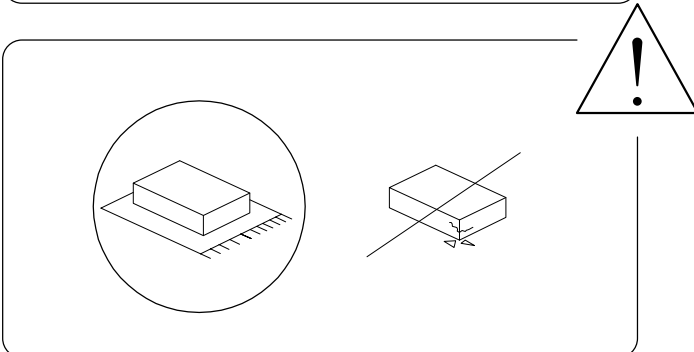
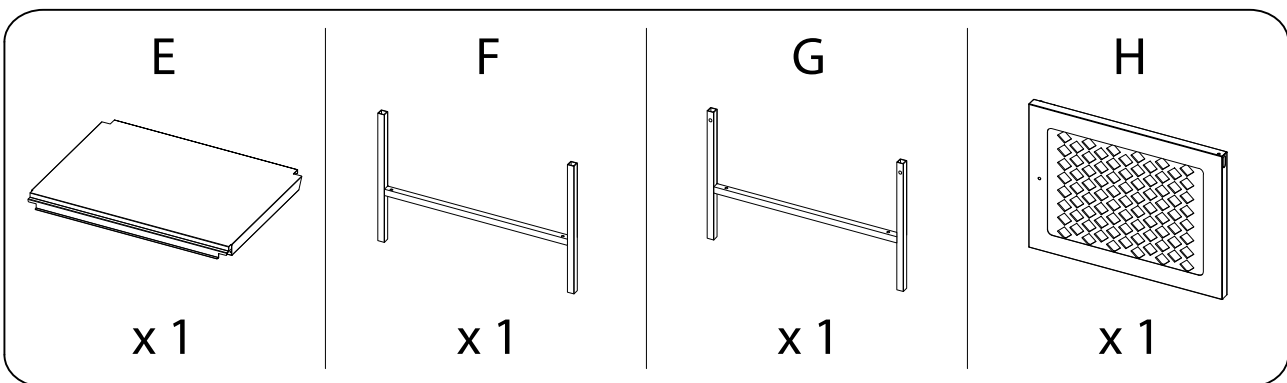
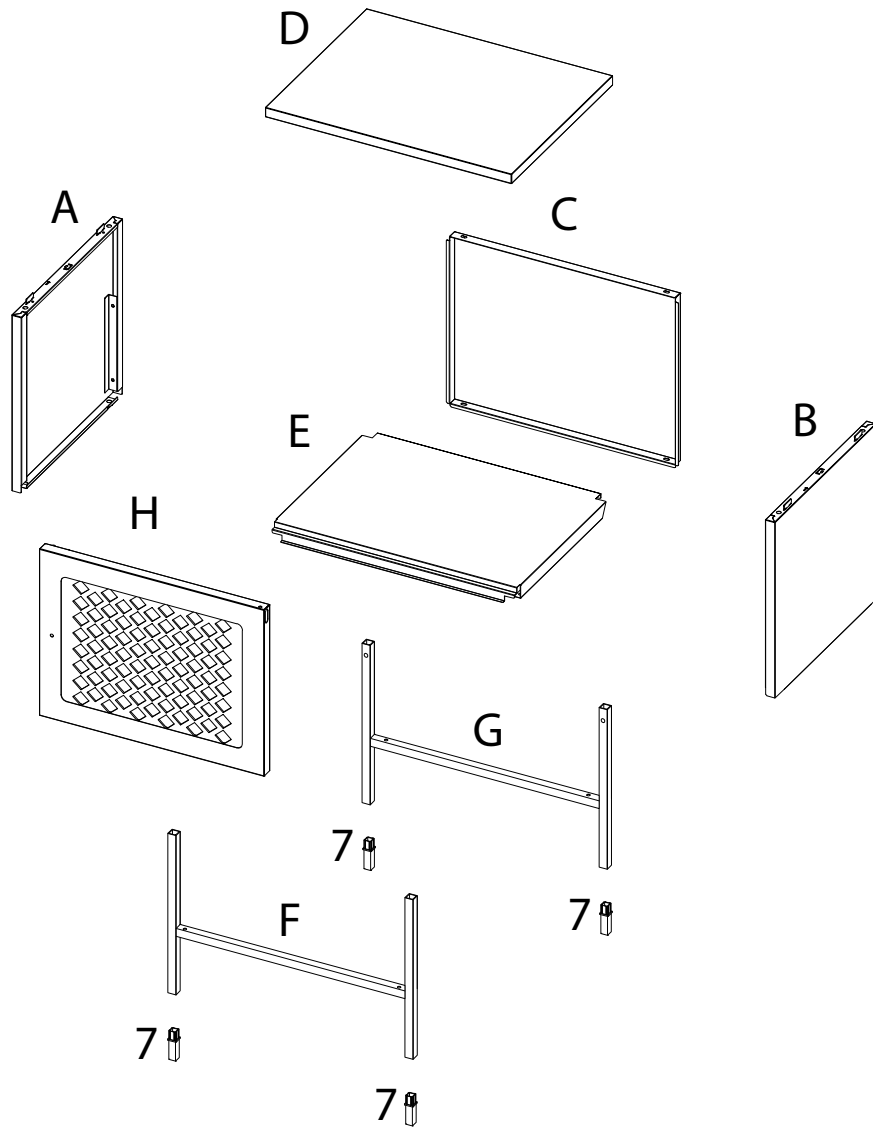
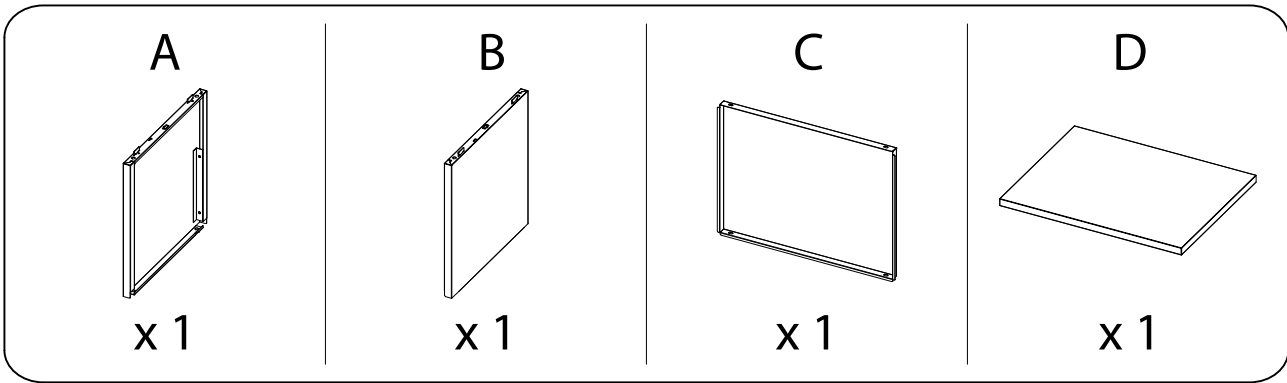


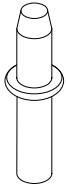
30'



1

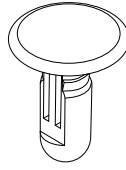


1



x 1

2



x 8

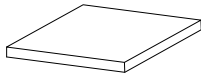
3



M4
x
25

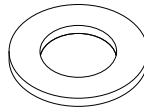
x 1

4



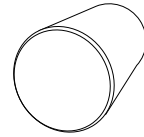
x 4

5



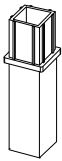
x 1

6



x 1

7



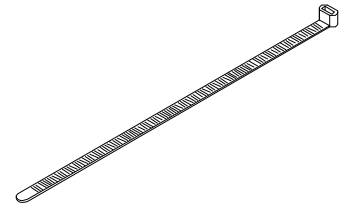
x 4

8



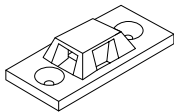
x 1

9a



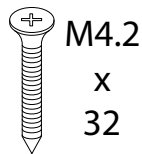
x 1

9b



x 2

10



M4.2
x
32

x 2

11



x 2

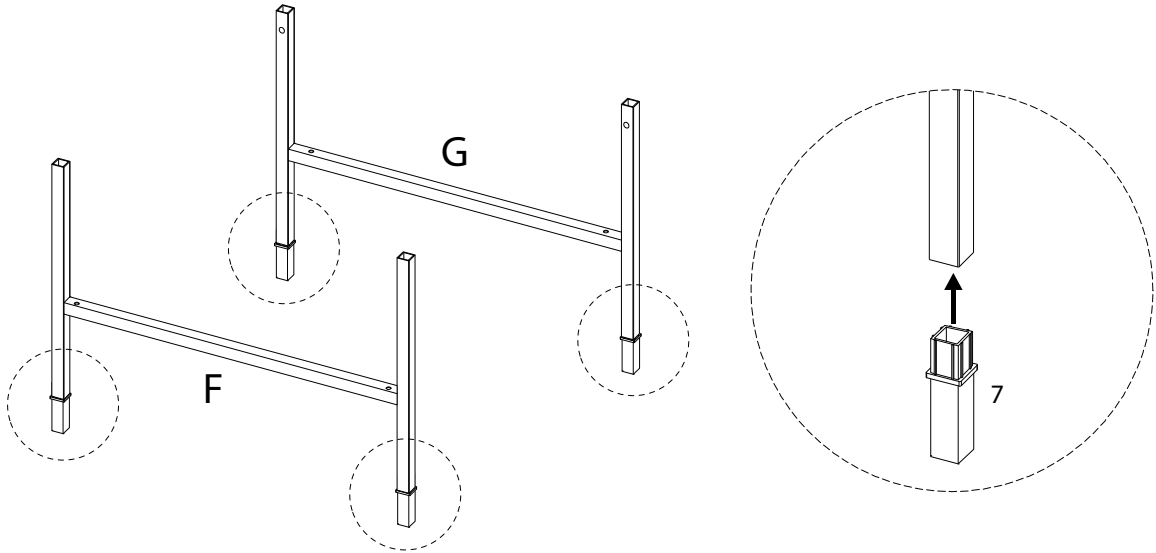
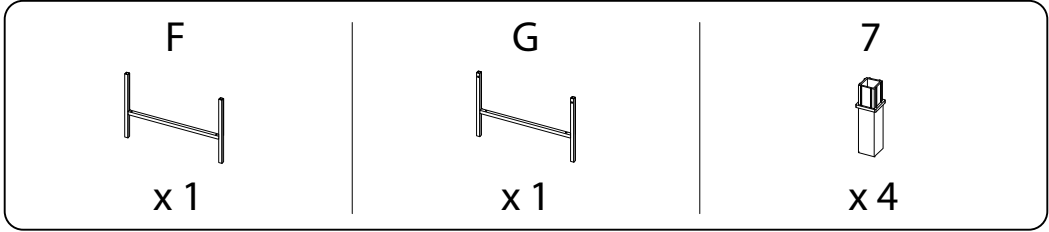
12



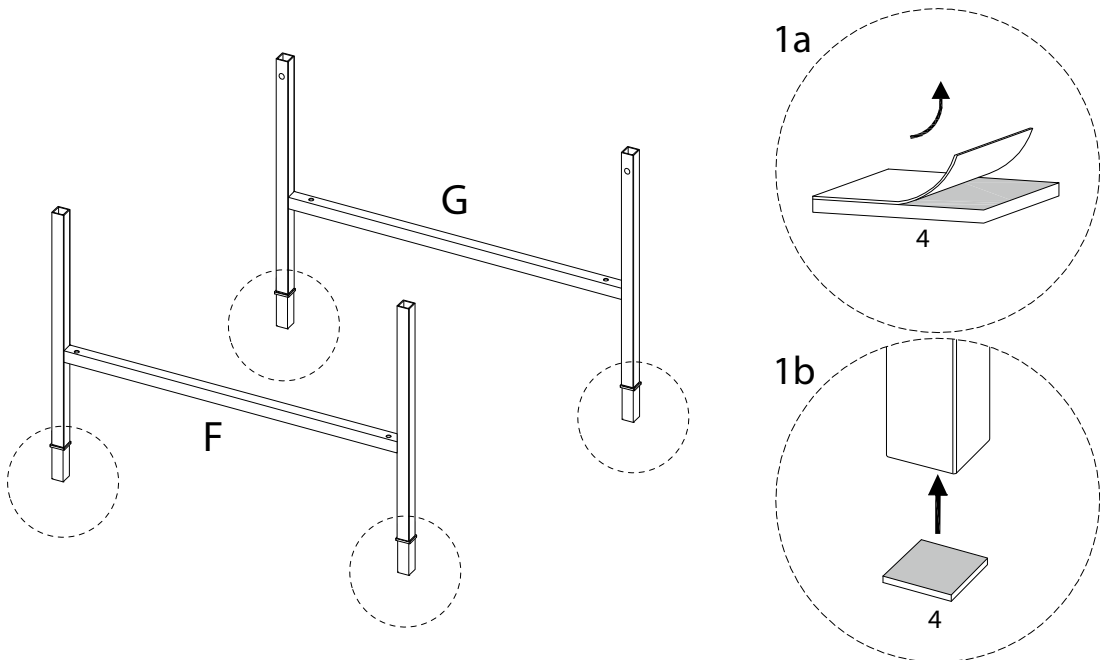
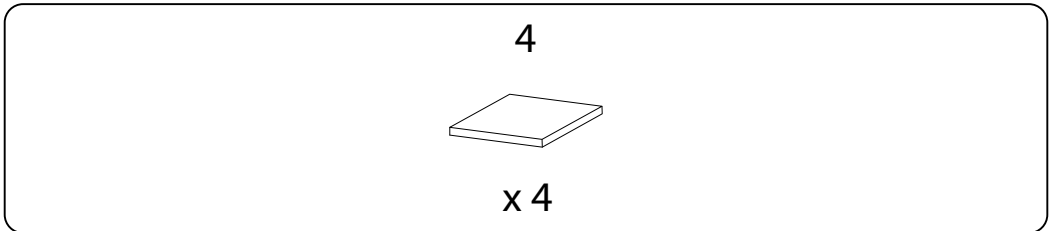
M4
x
10

x 2

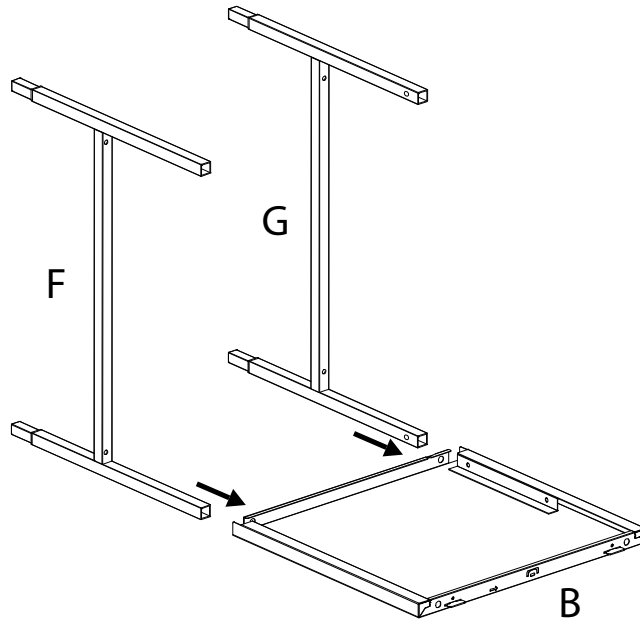
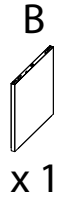
1



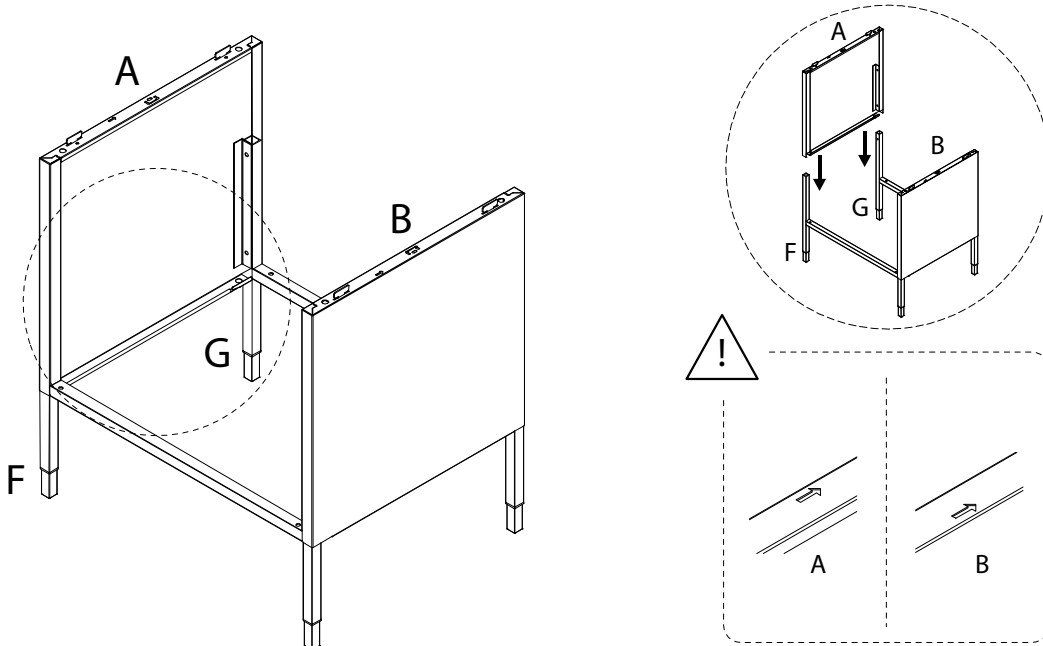
2



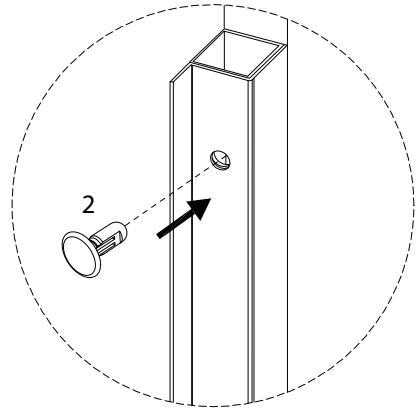
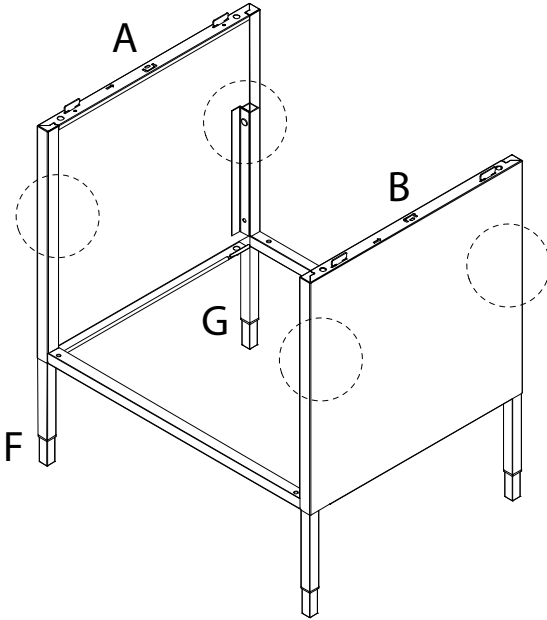
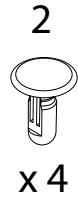
3



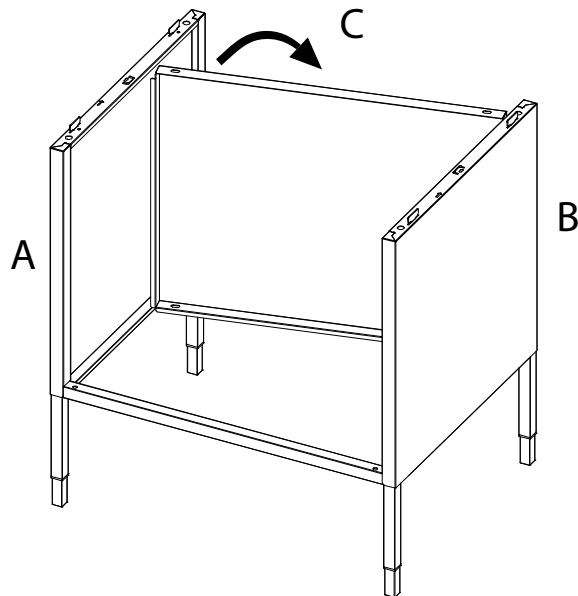
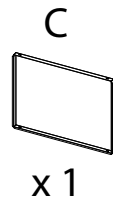
4



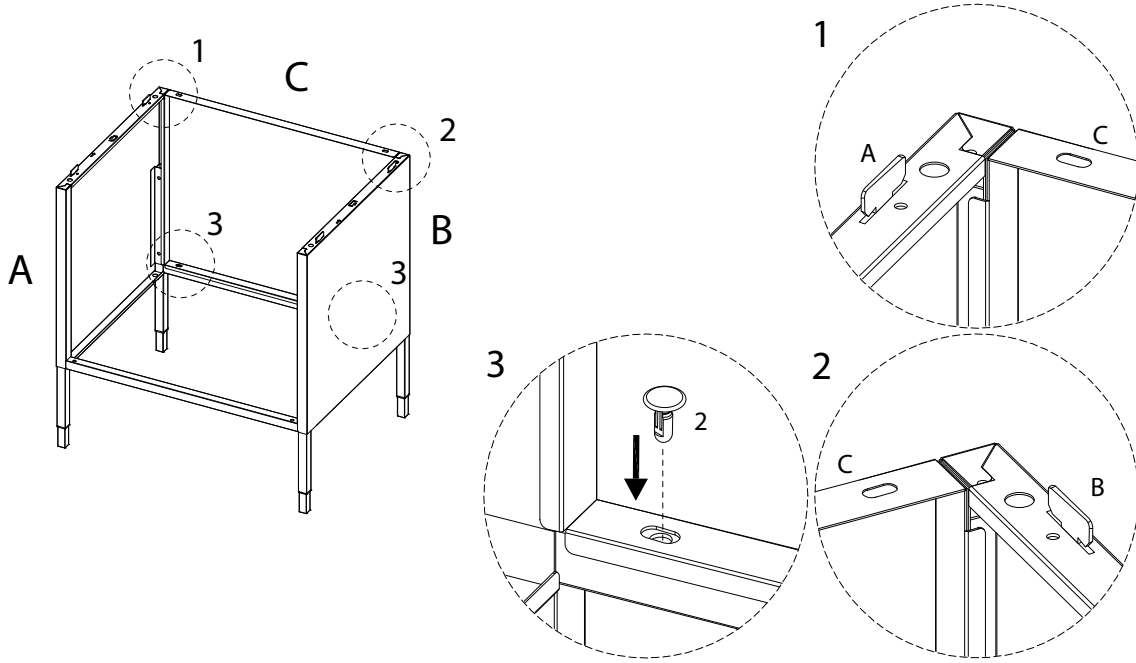
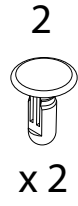
5



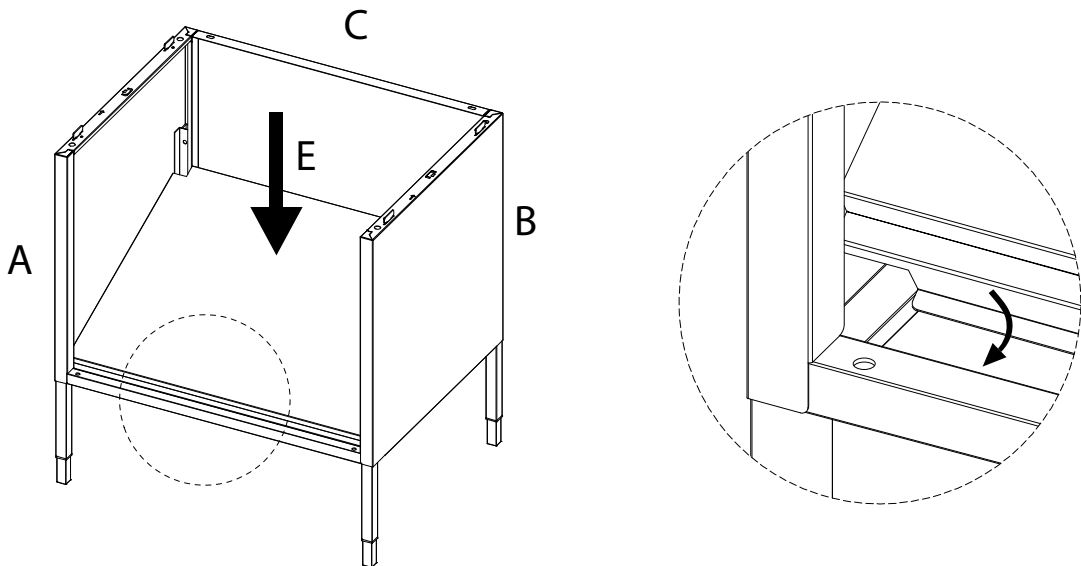
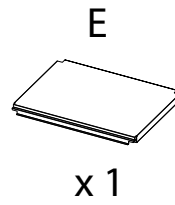
6



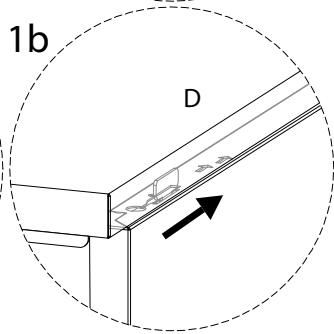
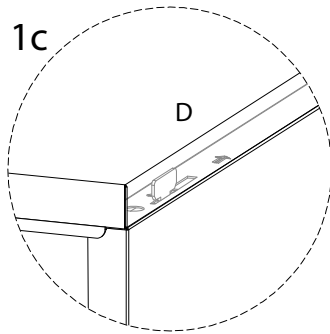
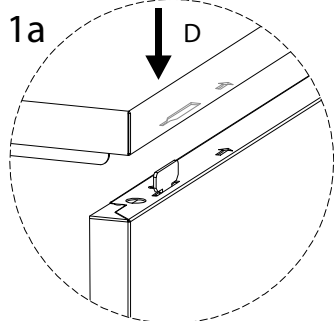
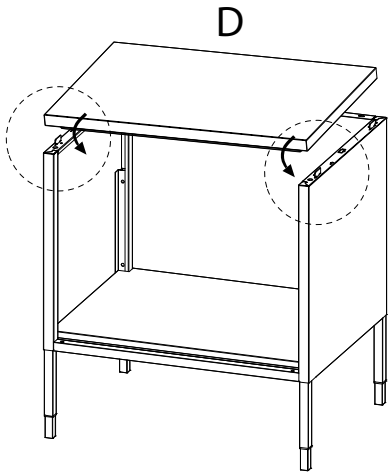
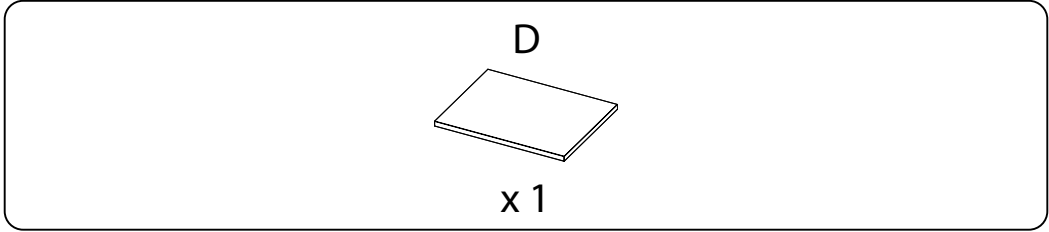
7



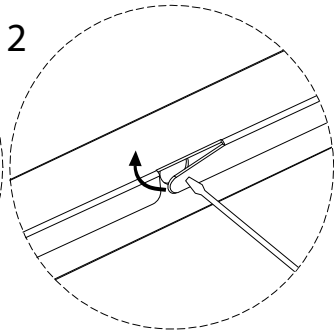
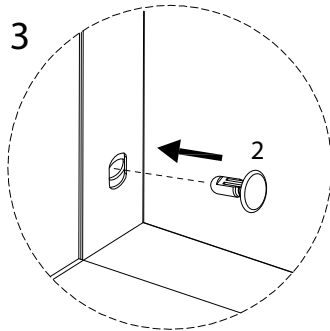
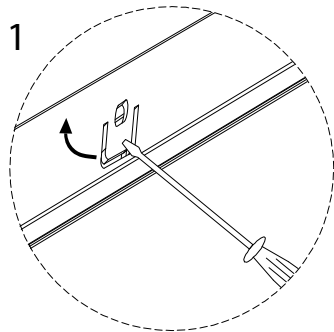
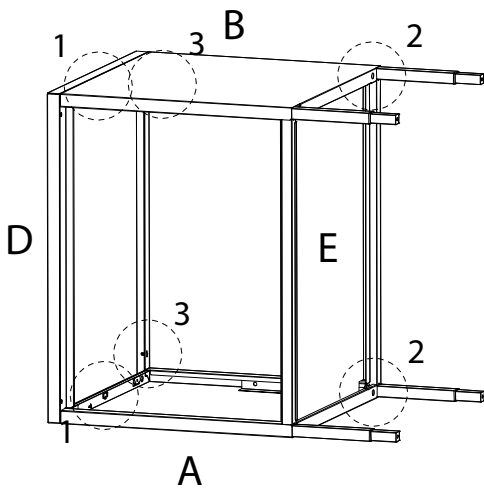
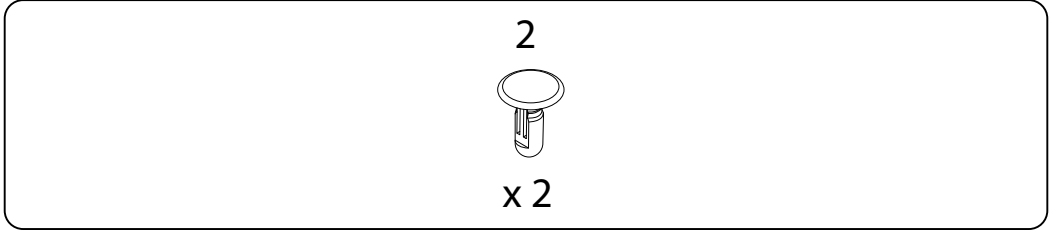
8



9



10



11

1

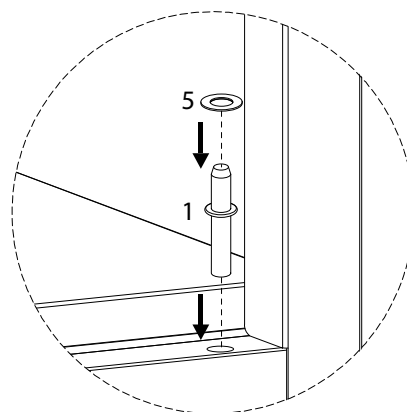
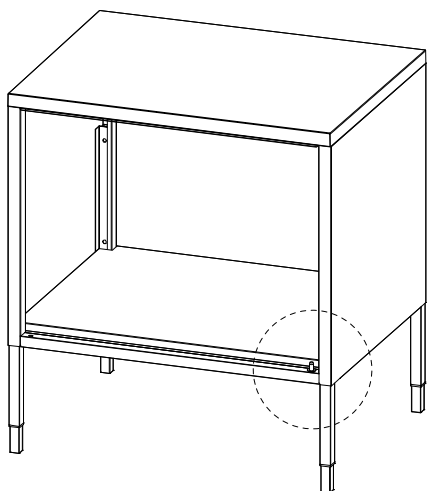


x 1

5

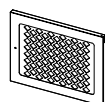


x 1

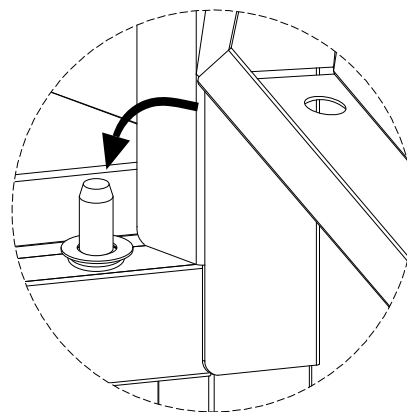
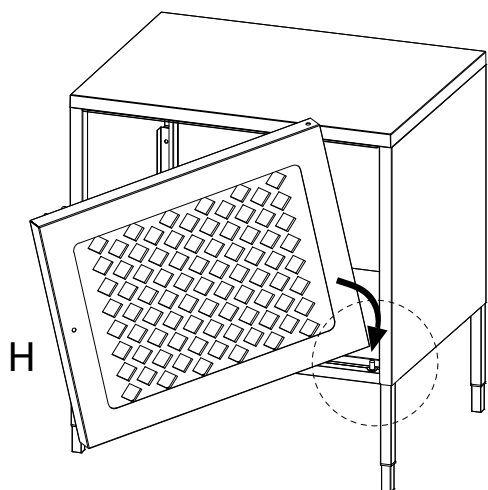


12

H



x 1



13

3

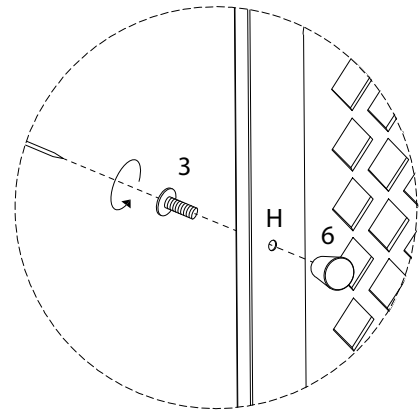
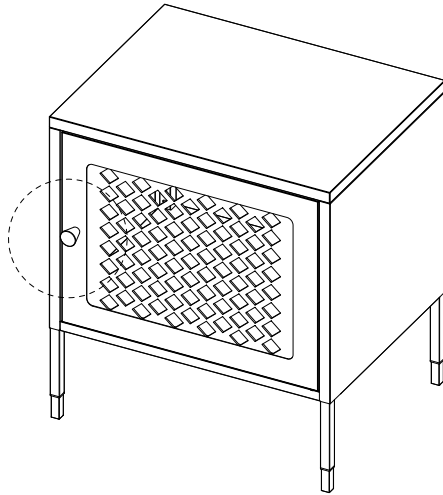


x 1

6

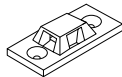


x 1



14

9b

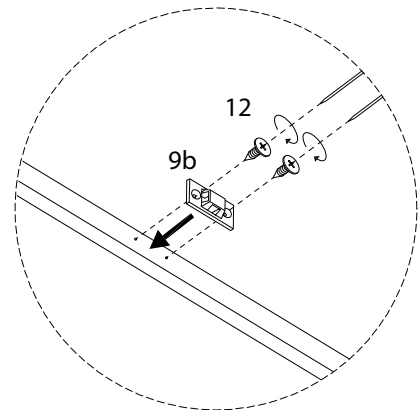
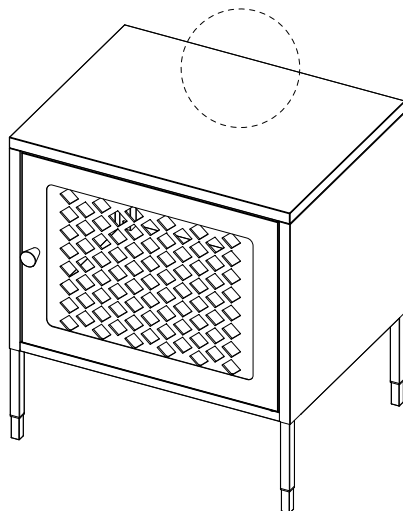


x 1


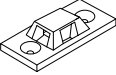
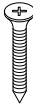

12



x 2



15

<p>9a</p>  <p>x 1</p>	<p>9b</p>  <p>x 1</p>	<p>10</p>  <p>M4.2 x 32</p> <p>x 2</p>	<p>11</p>  <p>x 2</p>
--	--	--	--

