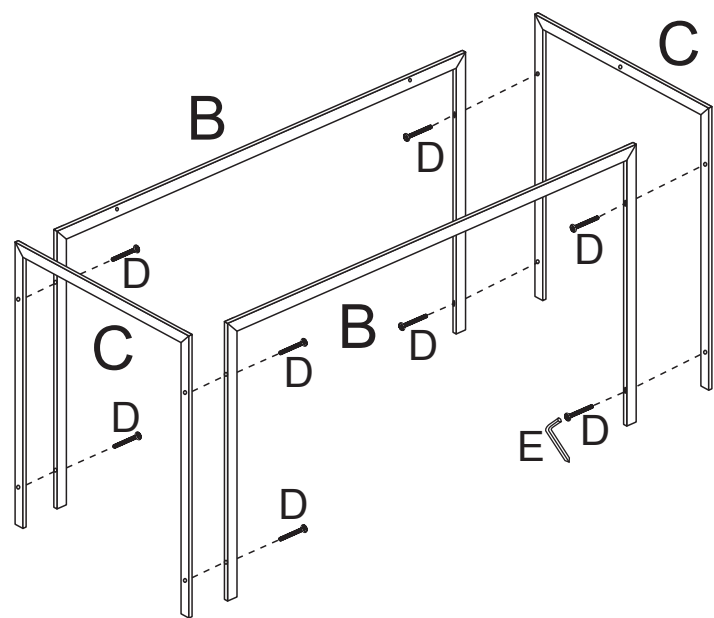
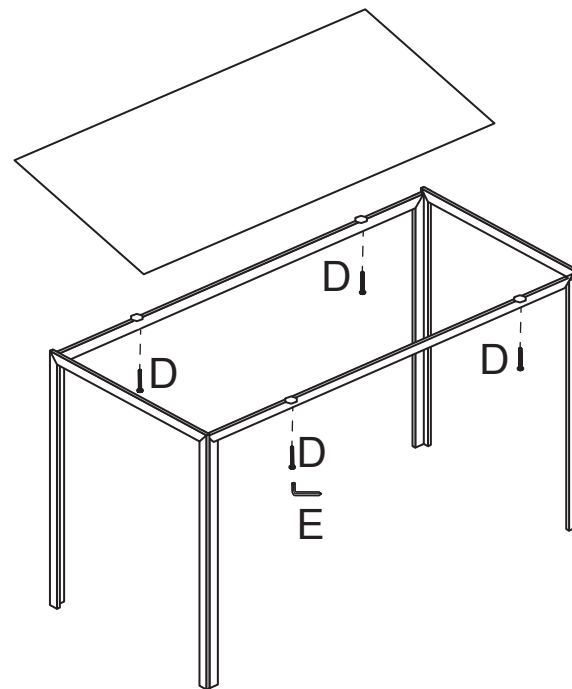


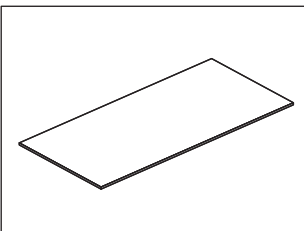
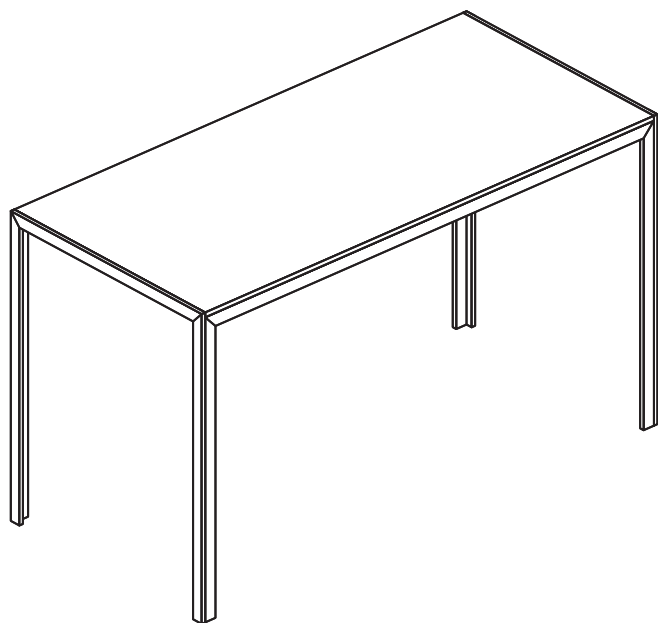
1



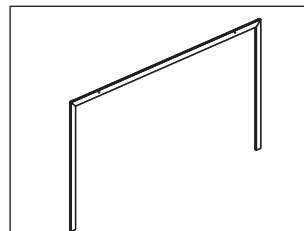
2



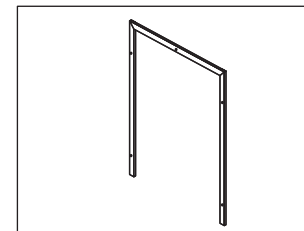
3



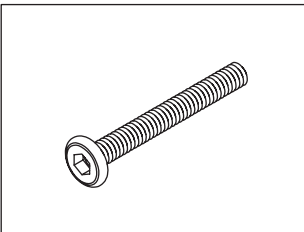
A x 1



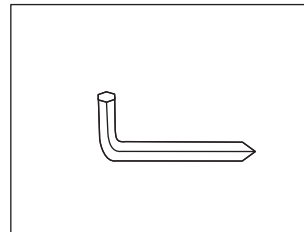
B x 2



C x 2



D x 12



E x 1