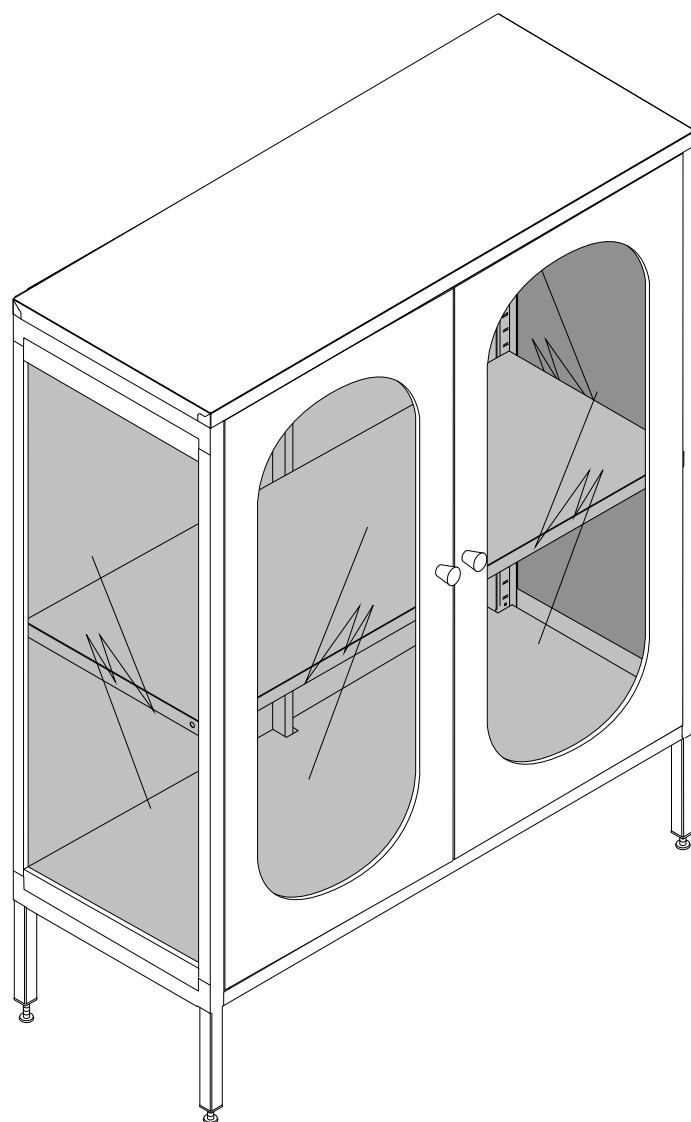
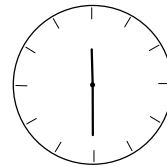
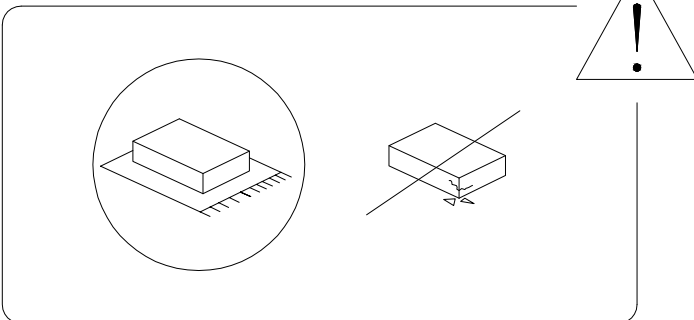
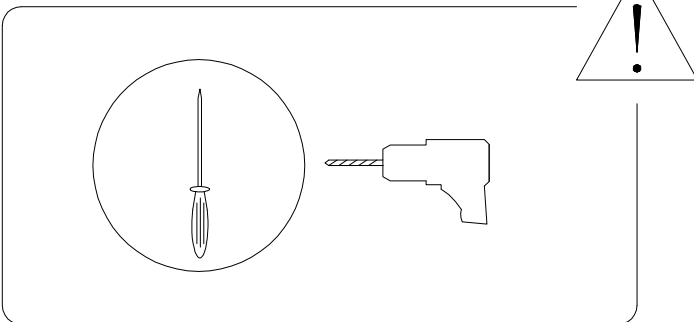
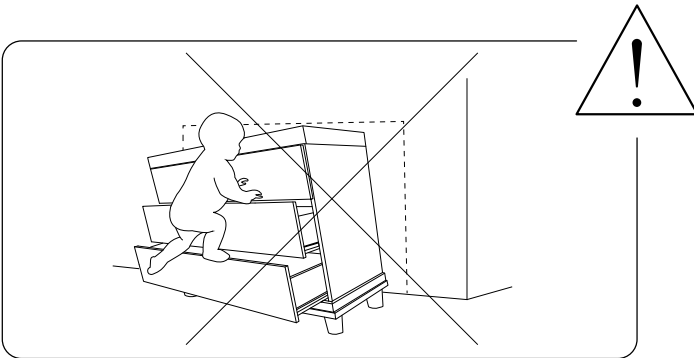
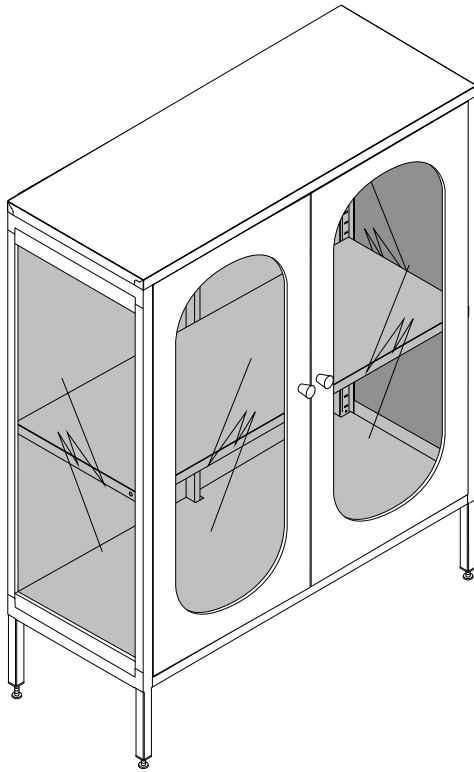
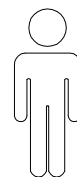


# SARRE

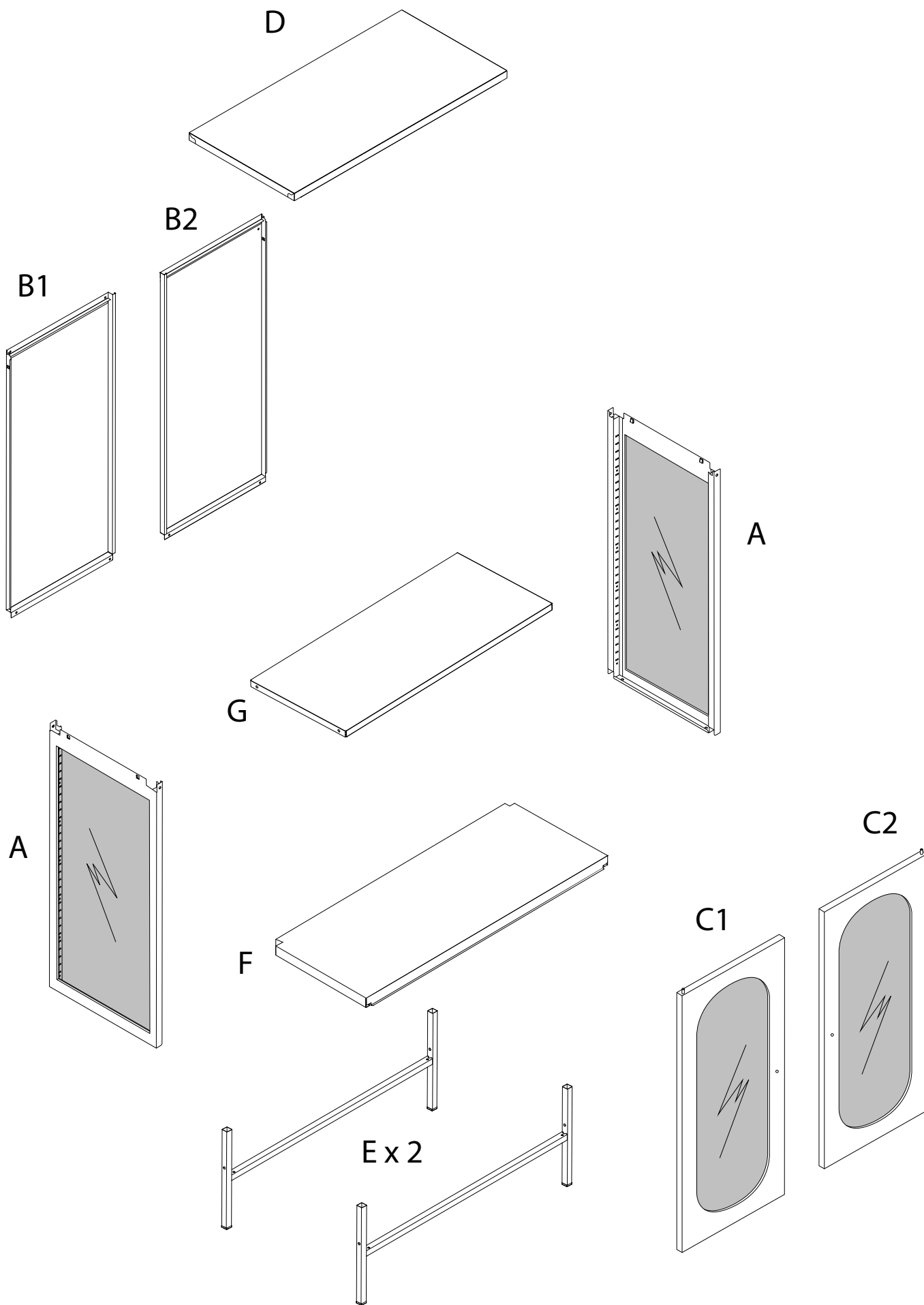




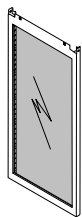
30'



1



A



x 2

B1



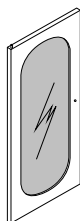
x 1

B2



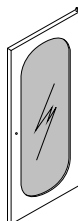
x 1

C1



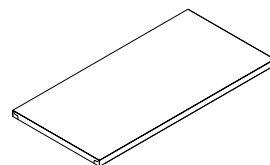
x 1

C2



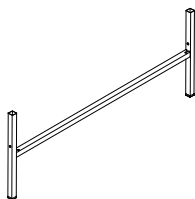
x 1

D



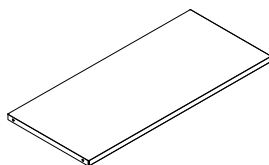
x 1

E



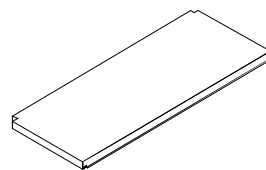
x 2

F



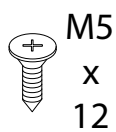
x 1

G



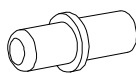
x 1

1



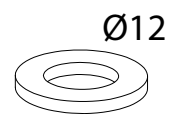
x 34

2



x 2

3



x 2

4



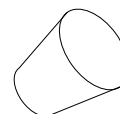
x 2

5



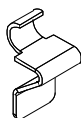
x 2

6



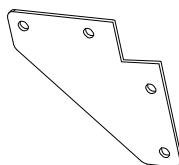
x 2

7



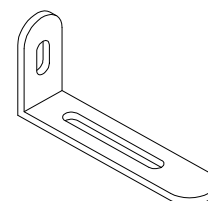
x 8

8



x 4

9



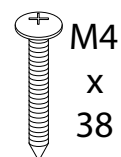
x 2

10



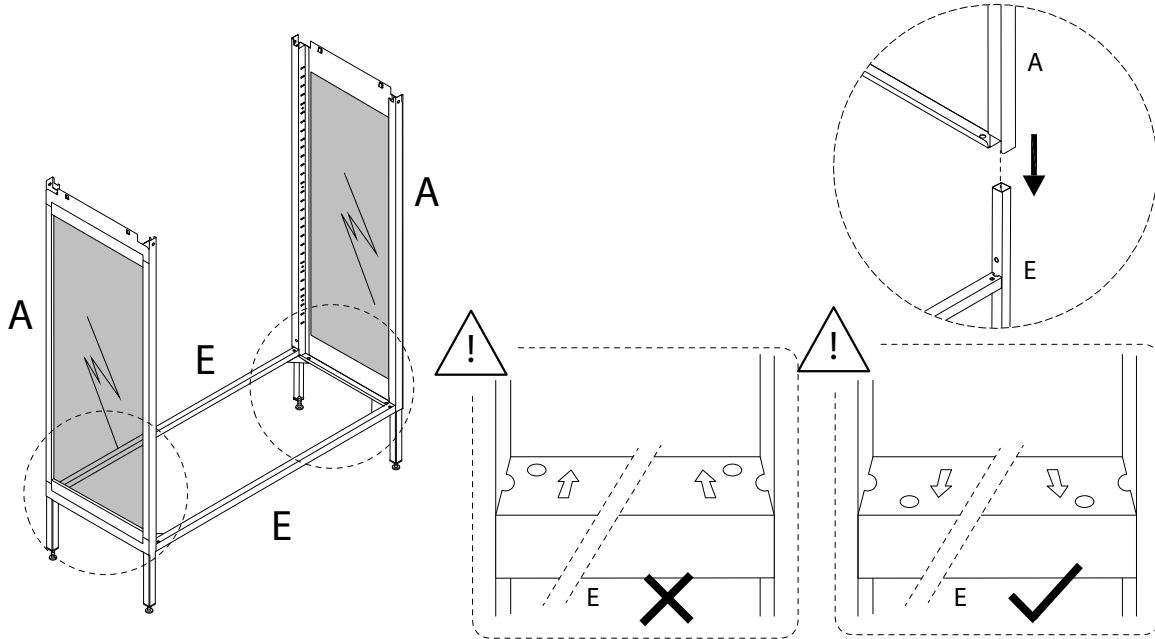
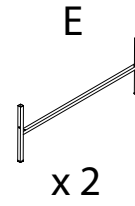
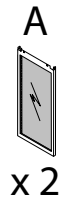
x 2

11

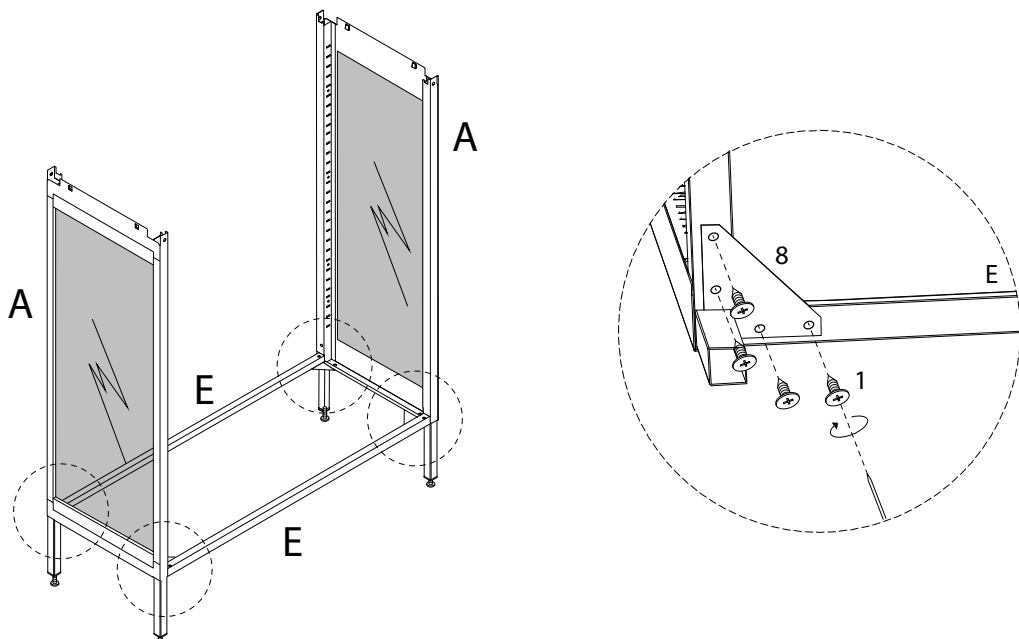
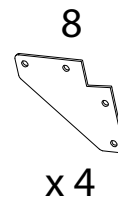
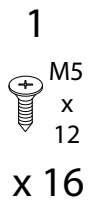


x 2

1



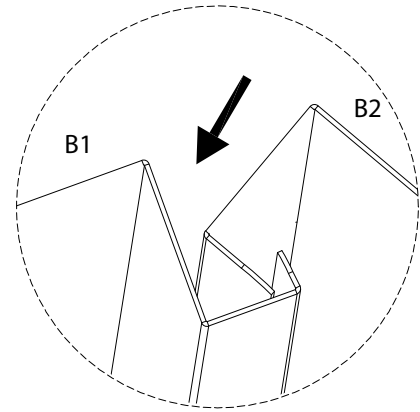
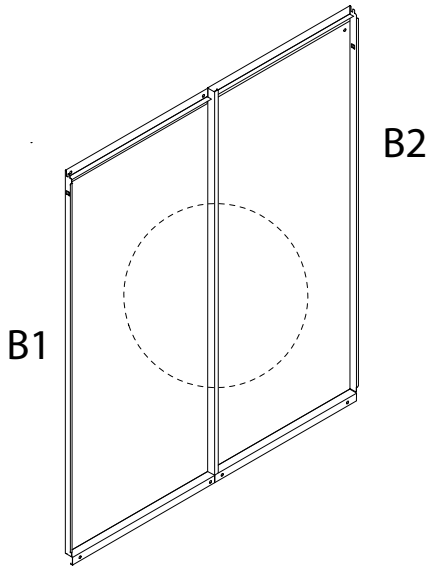
2



3

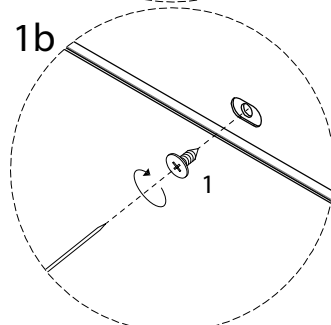
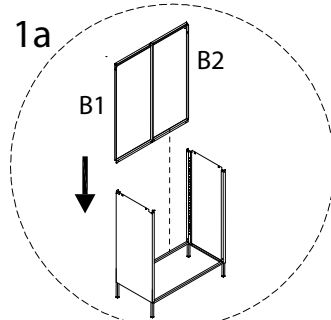
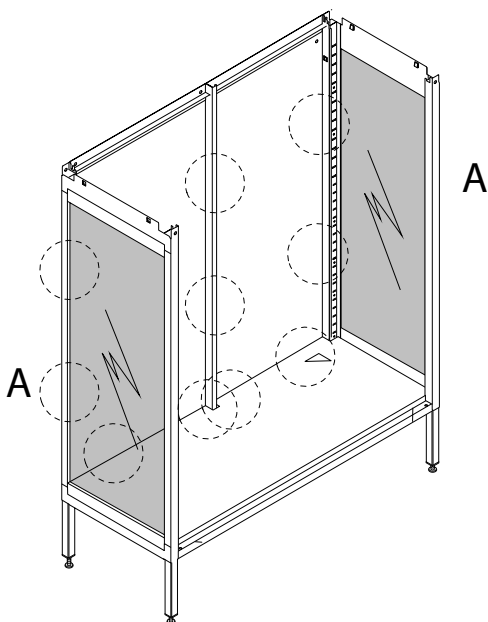
B1  
x 1

B2  
x 1



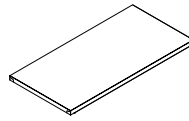
4

1  
M5  
x  
12  
x 10

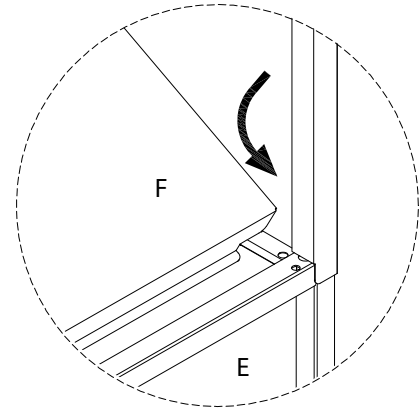
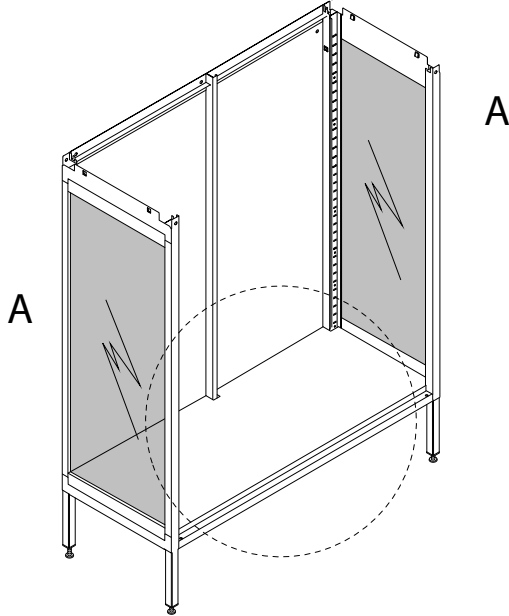


5

F

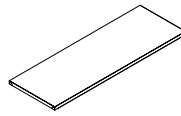


x 1

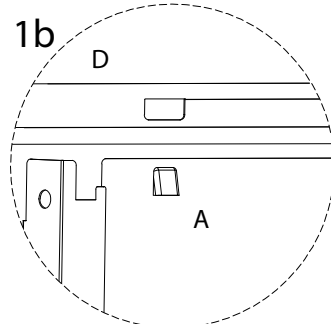
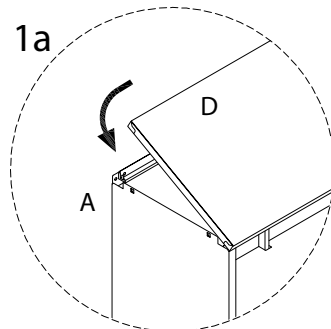
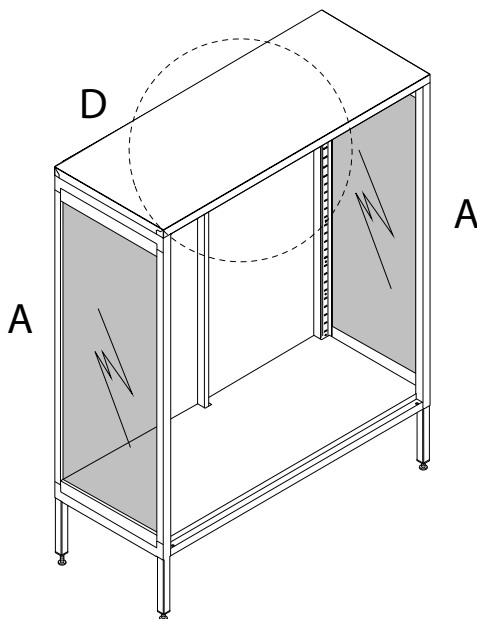


6

D



x 1

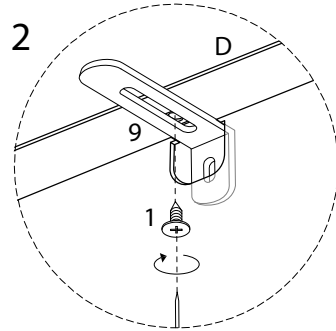
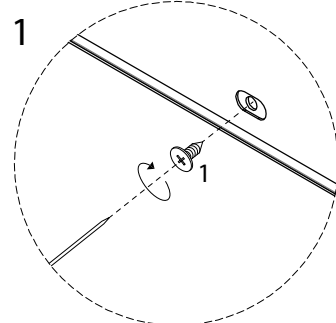
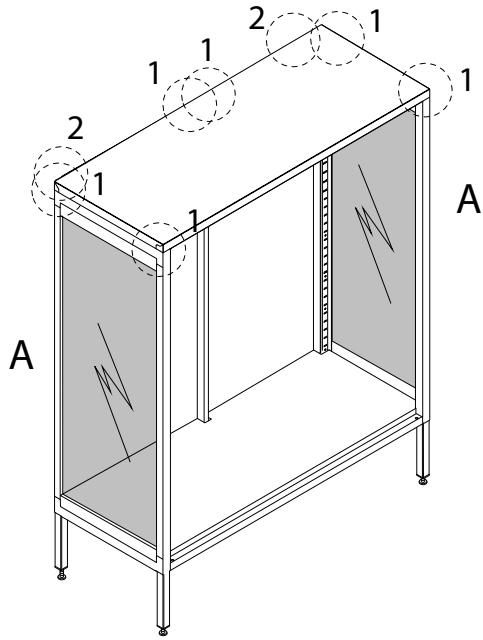




7

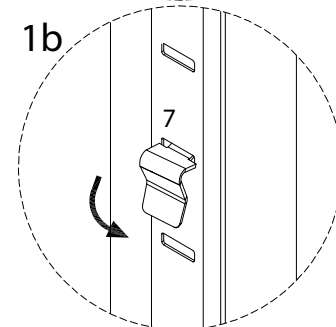
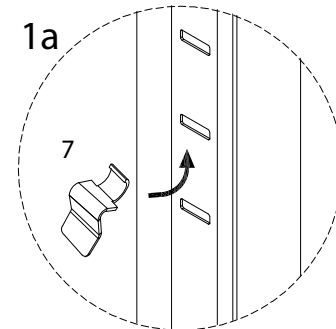
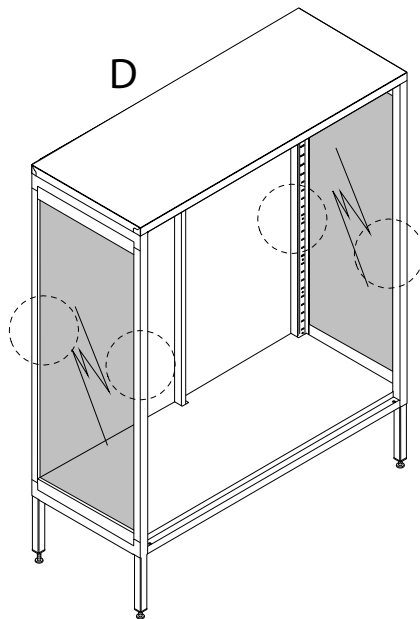
1  
M5  
x  
12  
x 8

9  
x 2

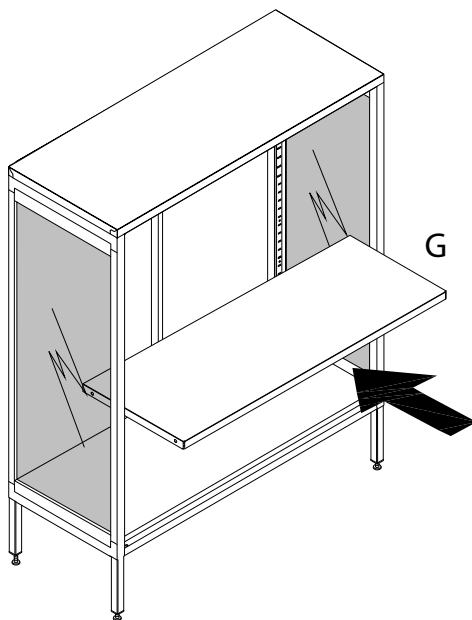
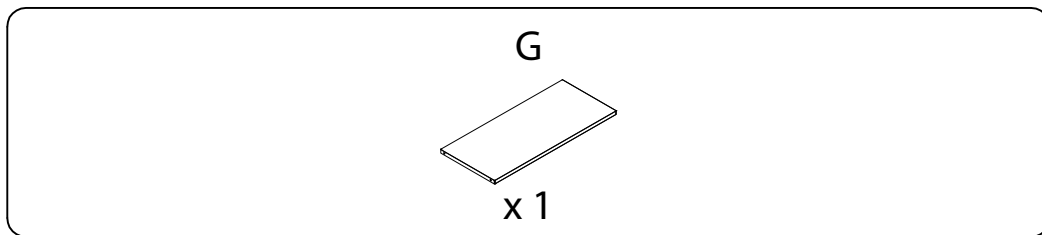


8

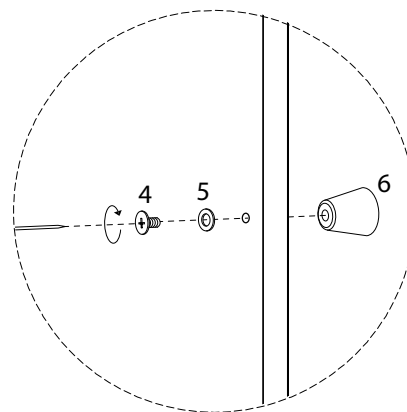
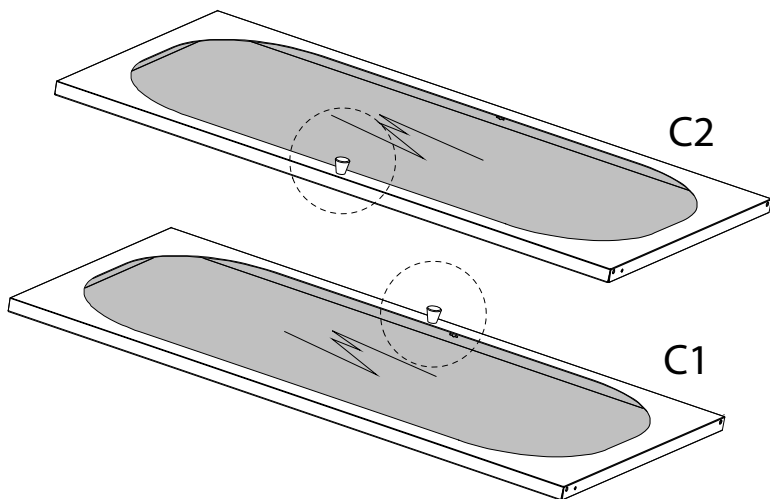
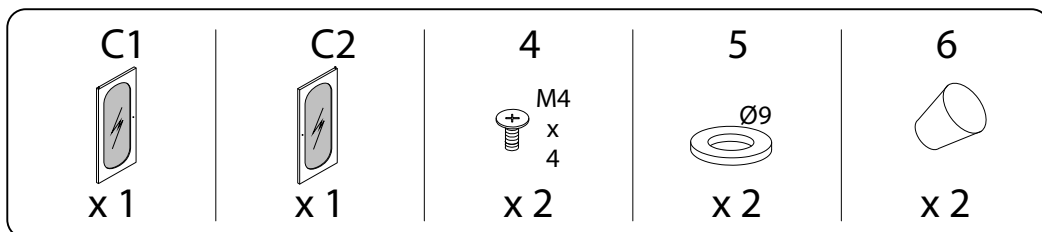
7  
x 4



9

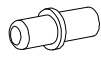


10



11

2



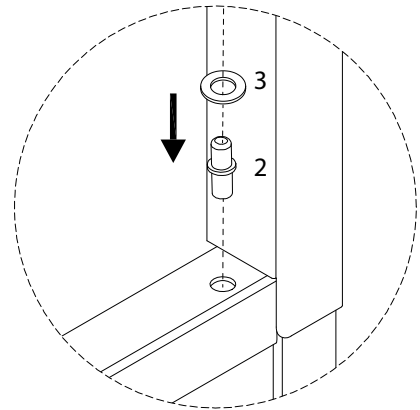
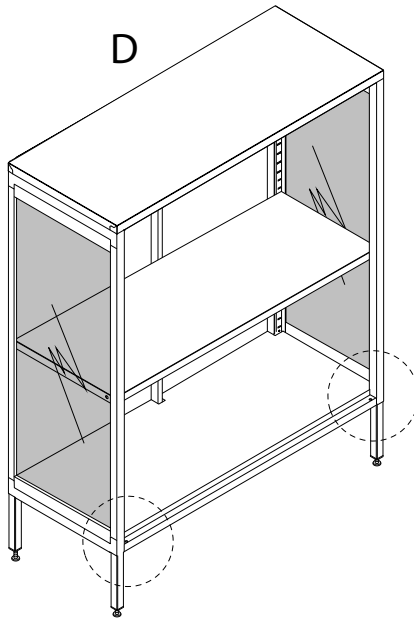
x 2

3

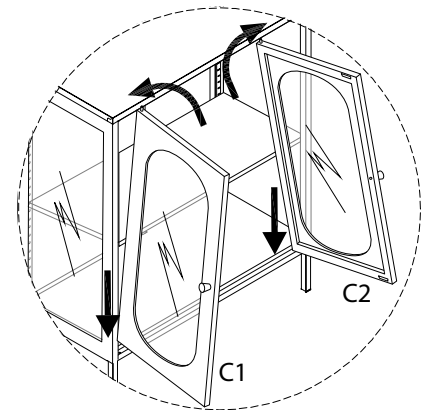
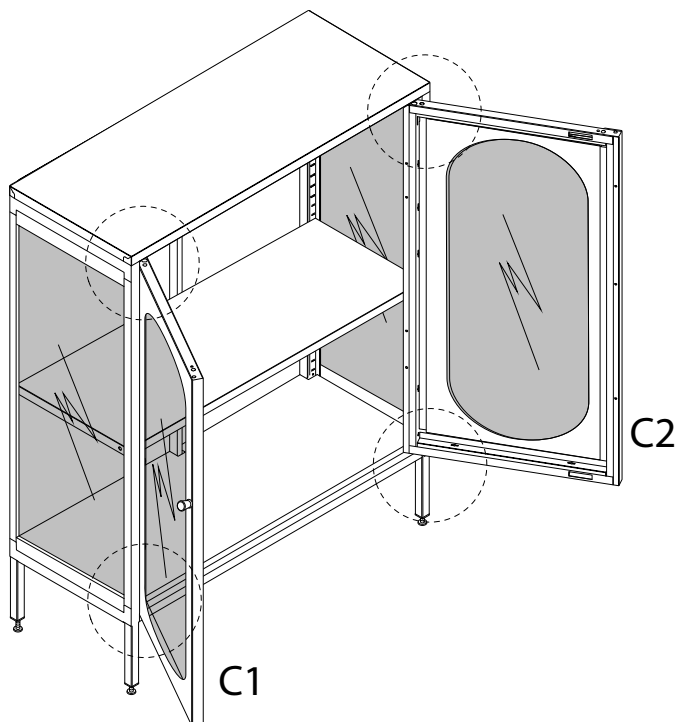


x 2

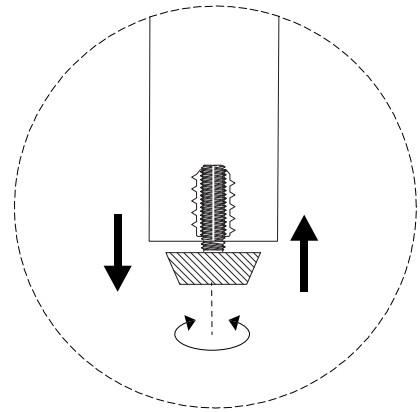
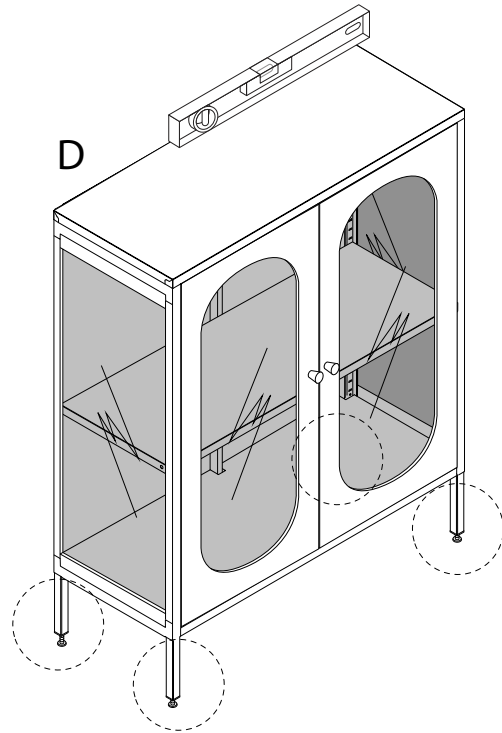
D



12



13



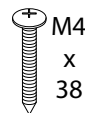
14

9



x 2

10



x 2

