





60'

2

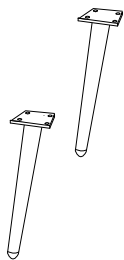
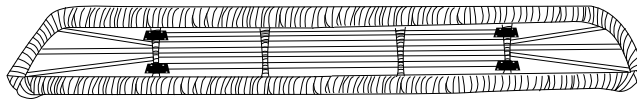
A

A	B	C	D
			 M6 x 16
x 1	x 1	x 4	x 16

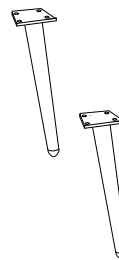
B

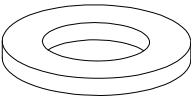

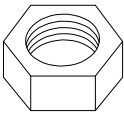
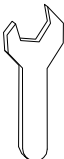


A










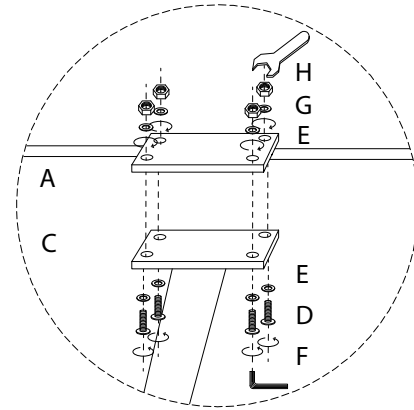
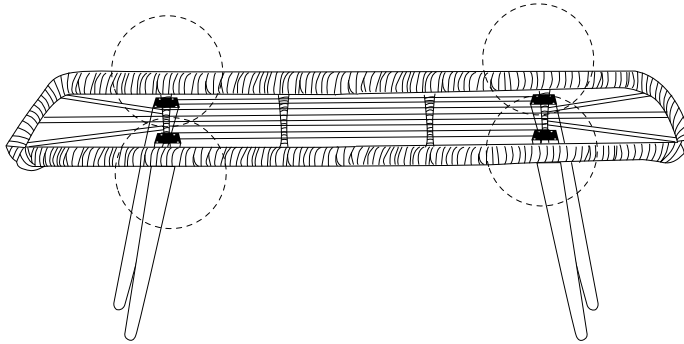
C x 4



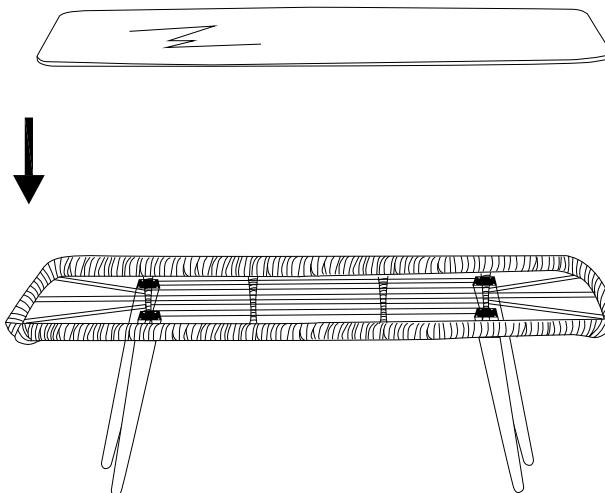
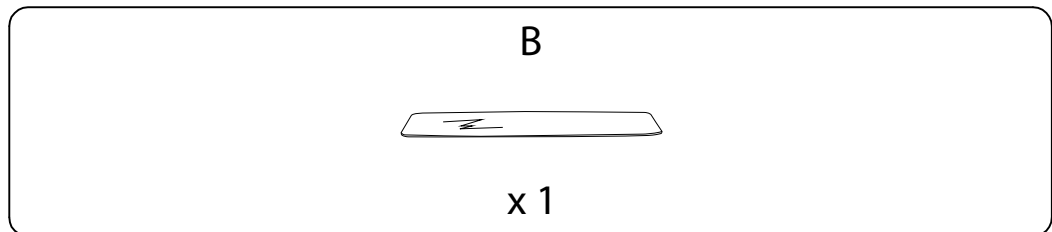
E	F	G	H
			
x 32	x 1	x 16	x 1

1




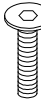
A  x 1	C  x 4	D  M6 x 16 x 16	E  x 32	F  x 1	G  x 16	H  x 1
--	--	--	---	--	---	--



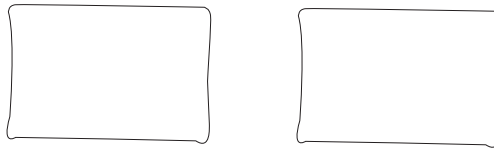
2



B

A	B	C	D
			 M6 x 16
x 1	x 1	x 4	x 12

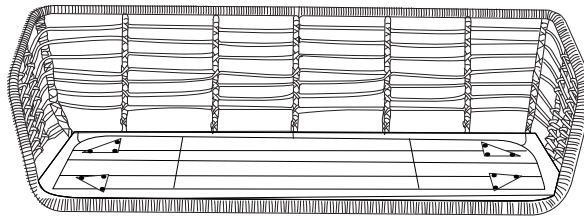
G x 2



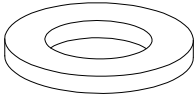


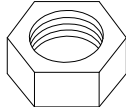
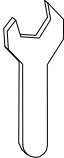
B










A

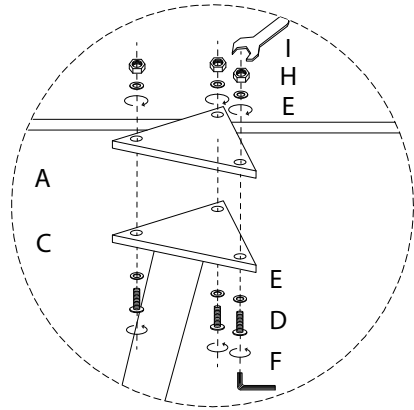
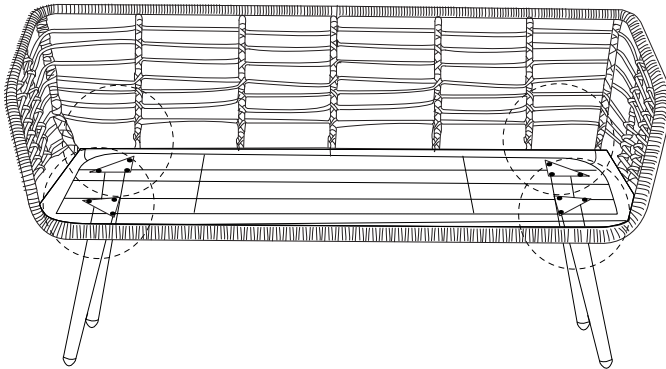


C x 4



E	F	G	H	I
				
x 24	x 1	x 2	x 12	x 1

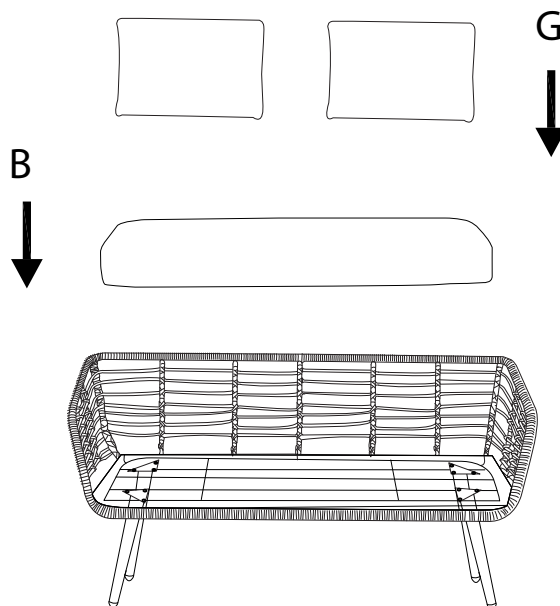
1

A  x 1	C  x 4	D M6 x 16  x 12	E  x 24	F  x 1	H  x 12	I  x 1
--	--	--	---	--	---	--

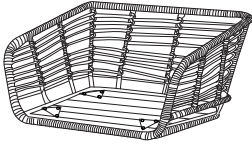


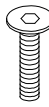


2

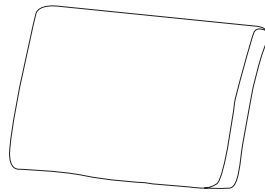
B  x 1	G  x 2
--	--



C

<p>A</p>  <p>x 1</p>	<p>B</p>  <p>x 1</p>	<p>C</p>  <p>x 4</p>	<p>D</p>  <p>M6 x 16</p> <p>x 12</p>
---	---	---	---

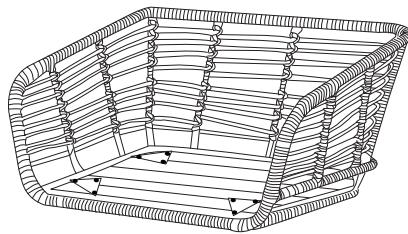
G



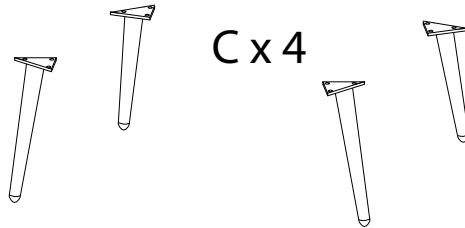
B

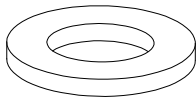
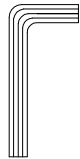
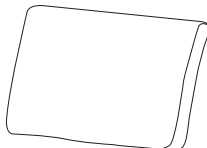
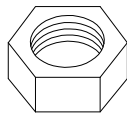
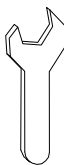


A






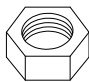



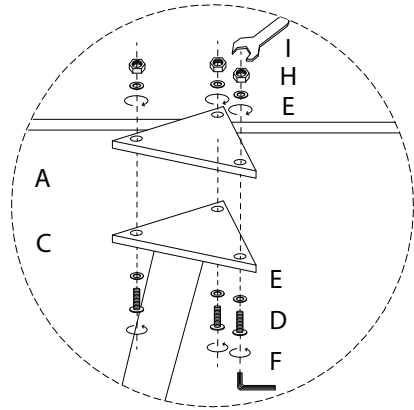
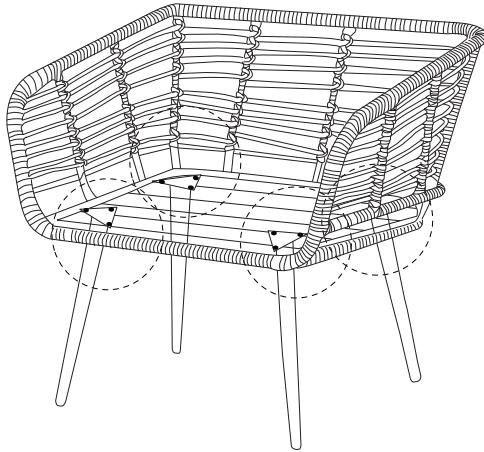
C x 4





<p>E</p>  <p>x 24</p>	<p>F</p>  <p>x 1</p>	<p>G</p>  <p>x 2</p>	<p>H</p>  <p>x 12</p>	<p>I</p>  <p>x 1</p>
--	---	---	--	---

1

A  x 1	C  x 4	D M6 x 16  x 12	E  x 24	F  x 1	H  x 12	I  x 1
--	--	--	---	--	---	--



2

B  x 1	G  x 2
--	--

