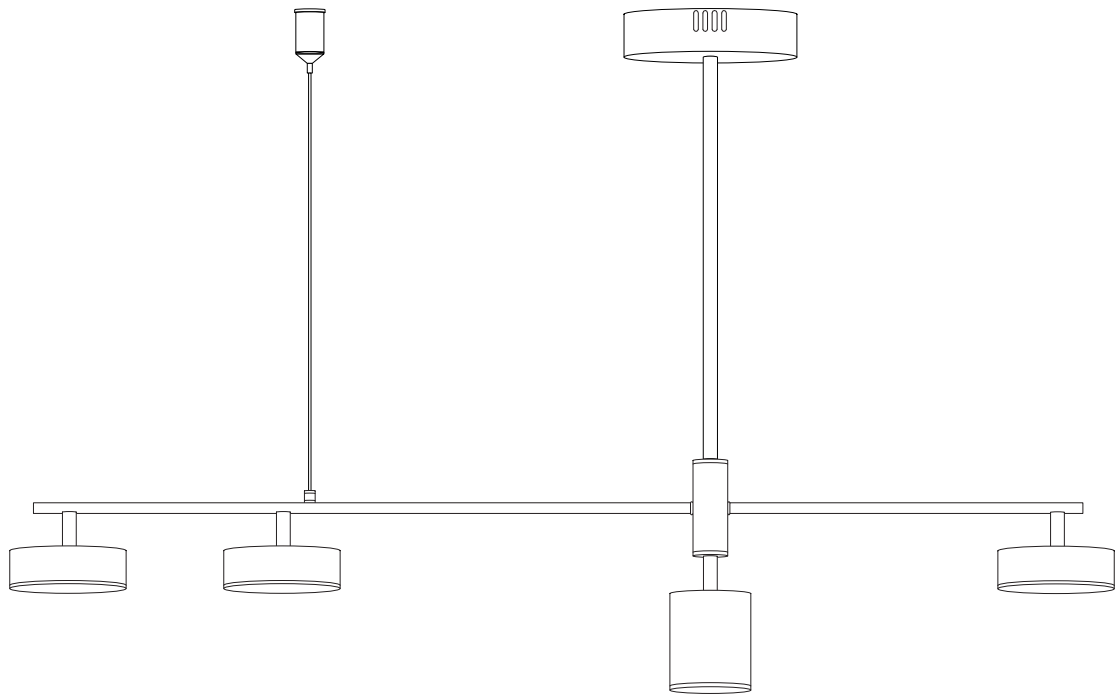
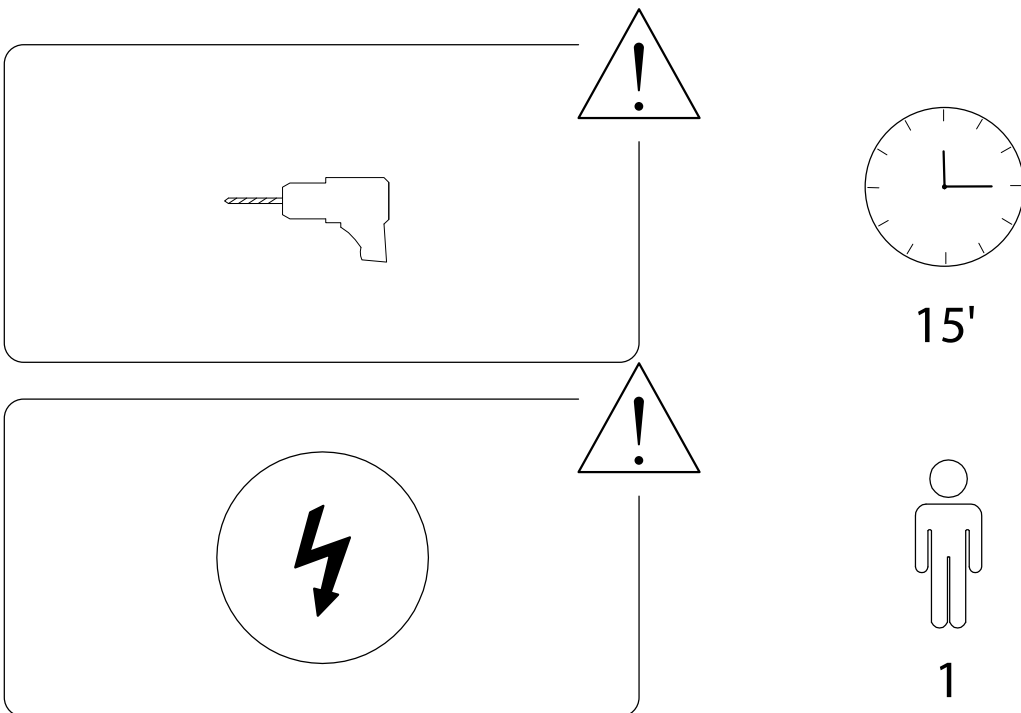
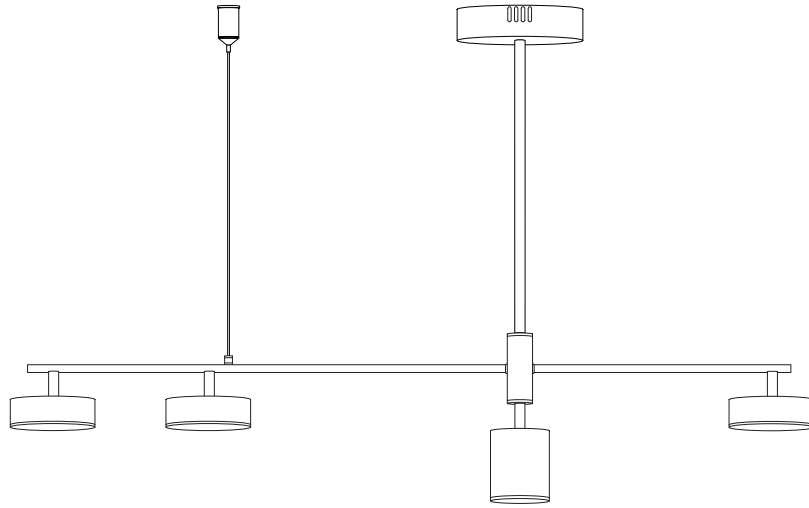
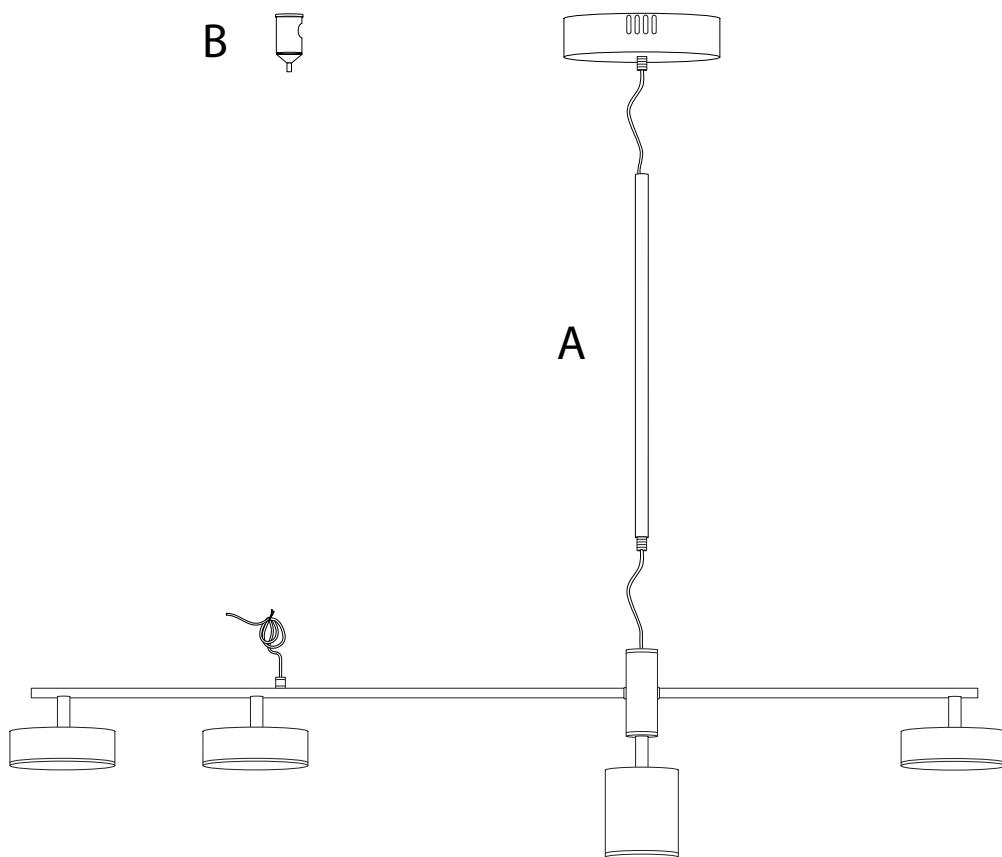


FOYLE

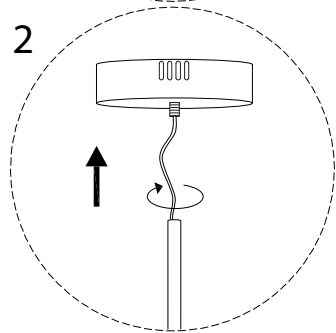
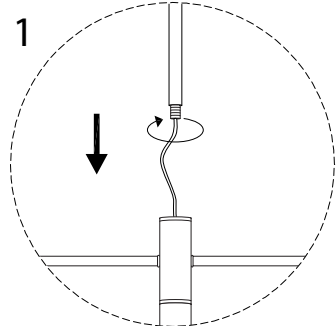
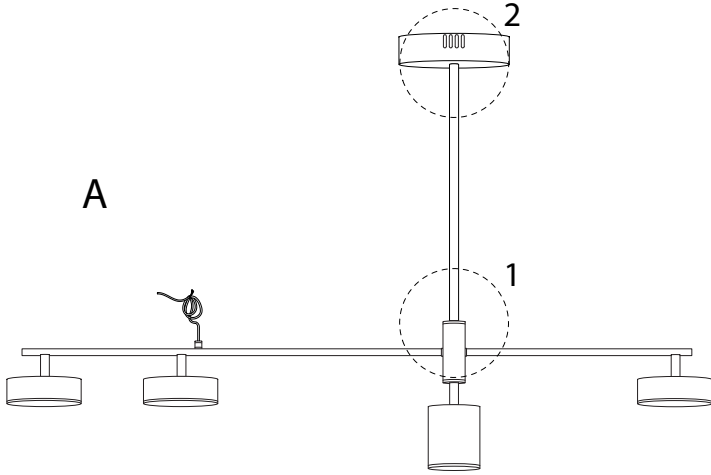
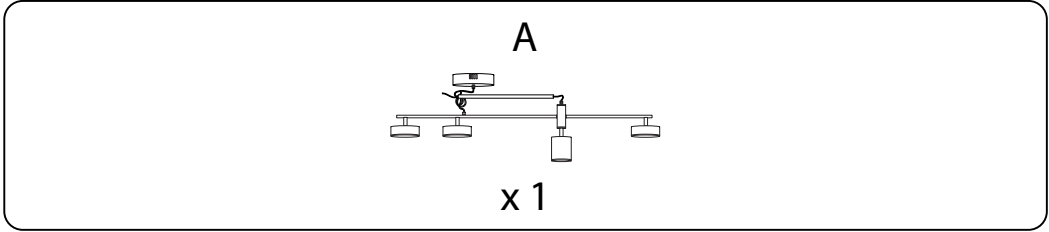




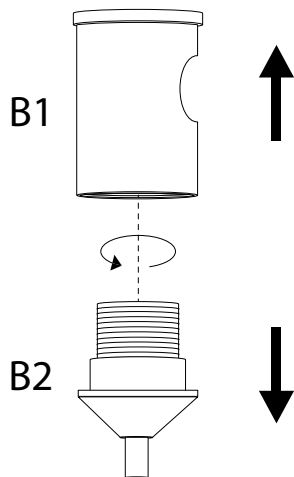
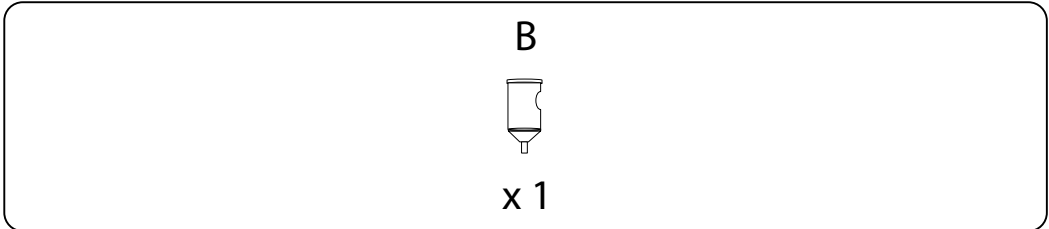


A	B	C	D	E
x 1	x 1	x 3	x 3	x 1

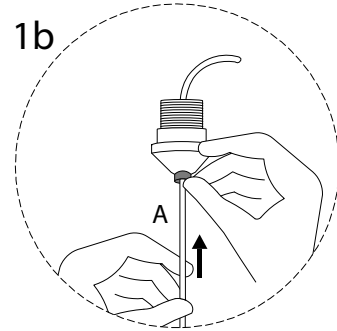
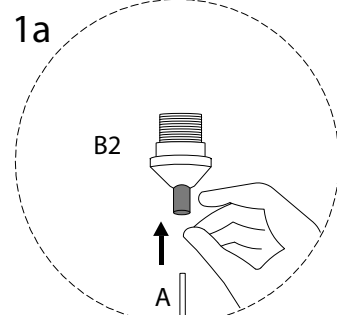
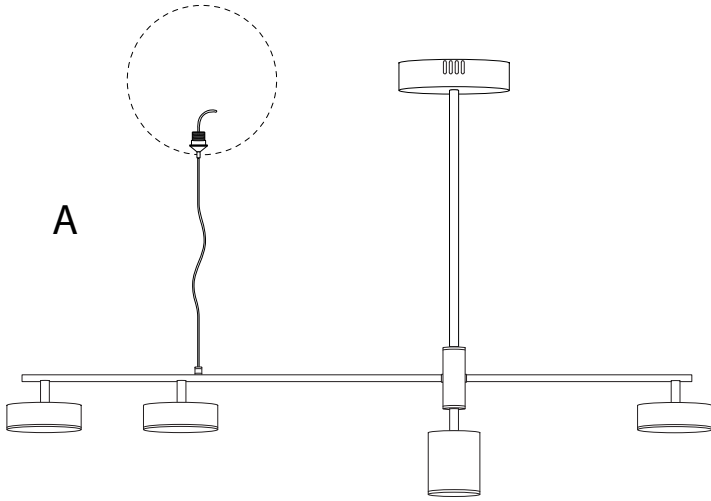
1



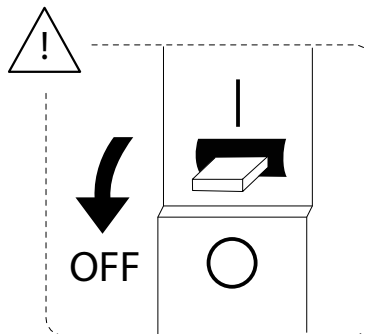
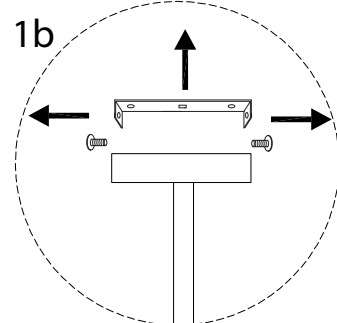
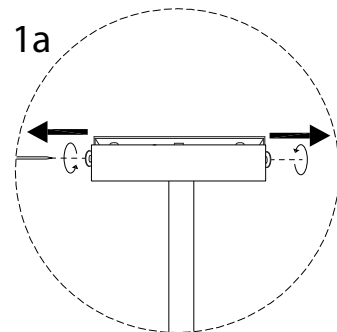
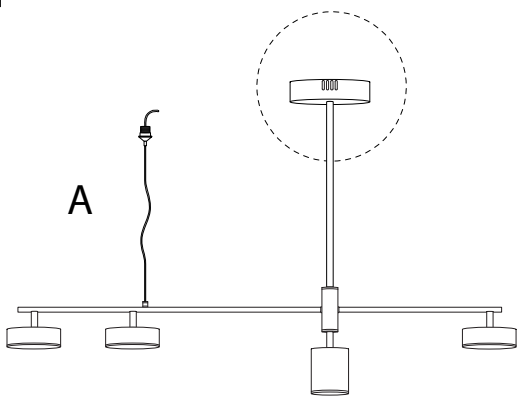
2



3



4



5

C

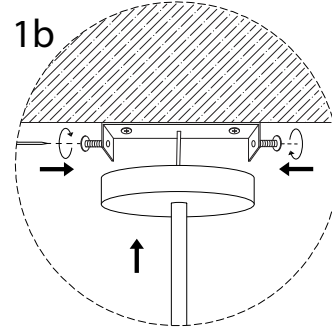
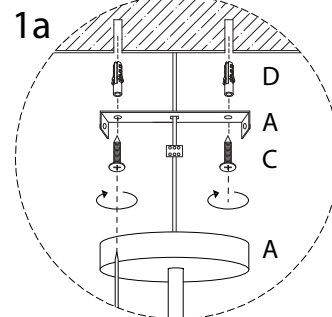
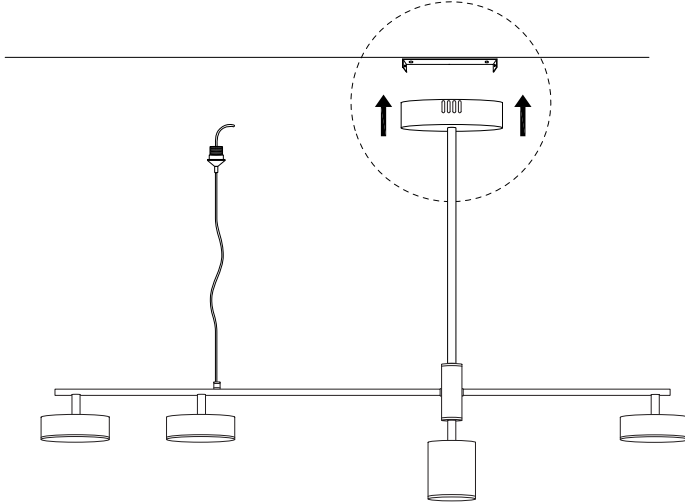


x 2

D



x 2



6

C

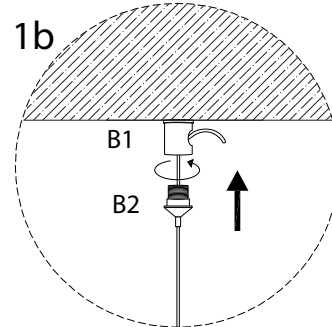
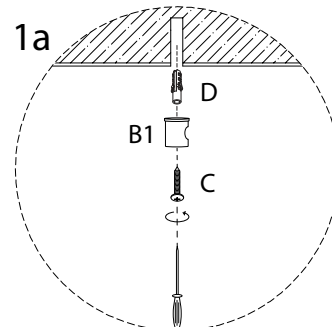
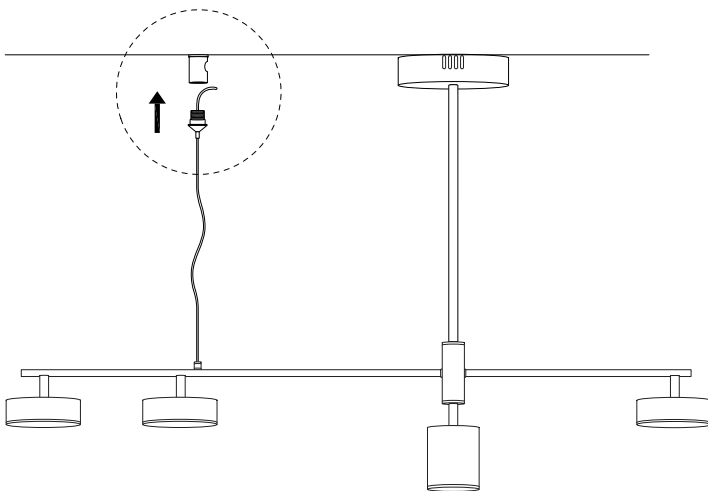


x 1

D



x 1



!

