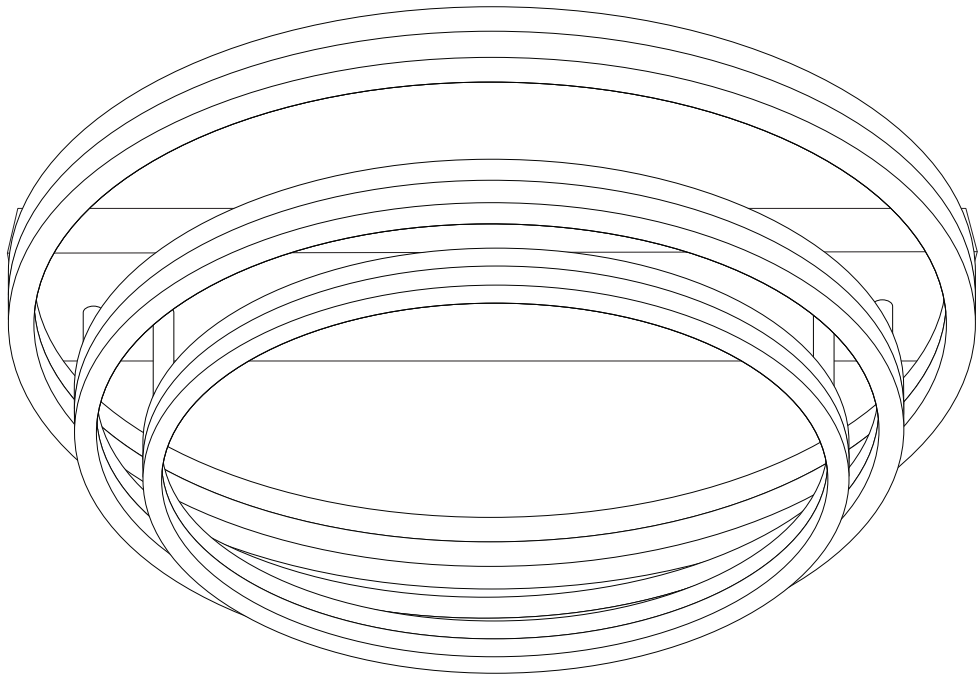
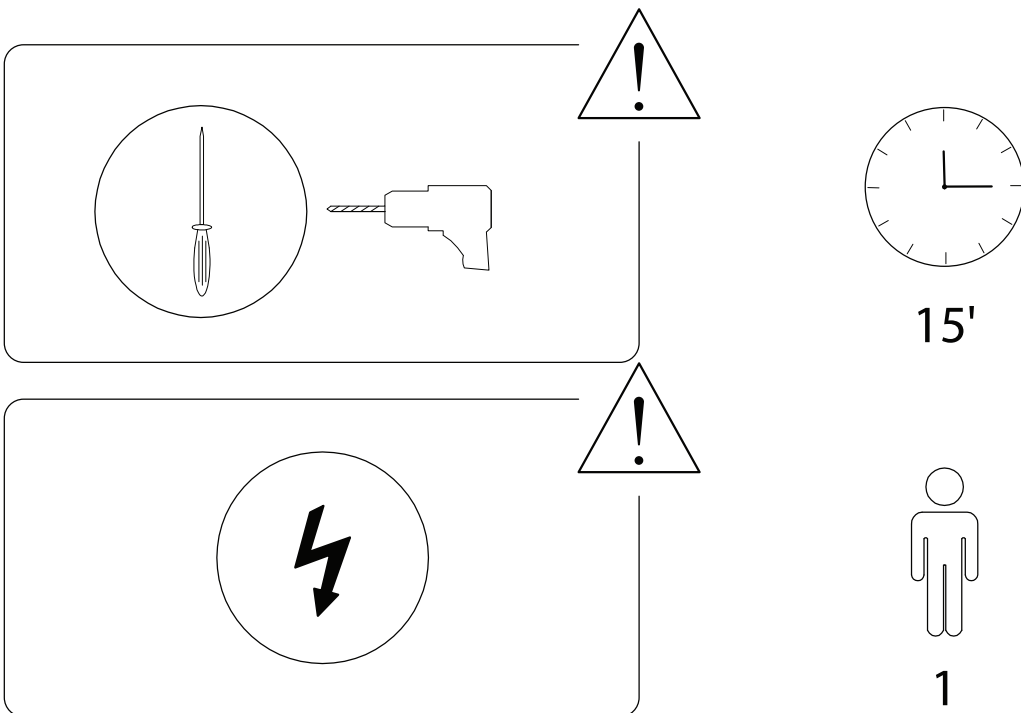
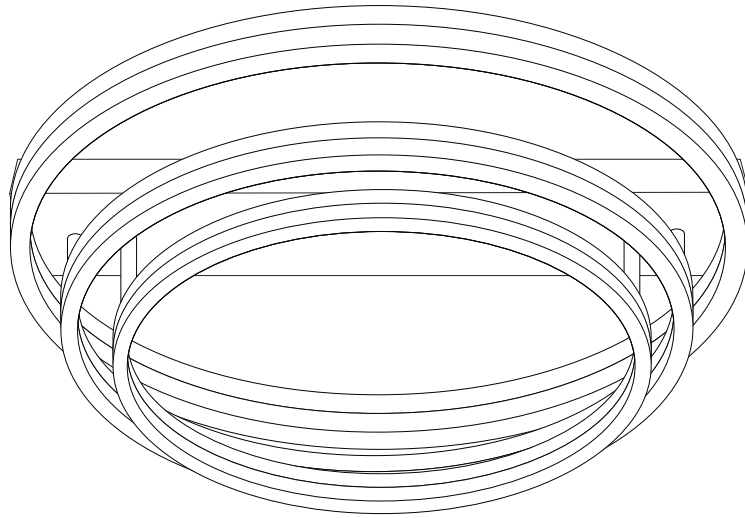
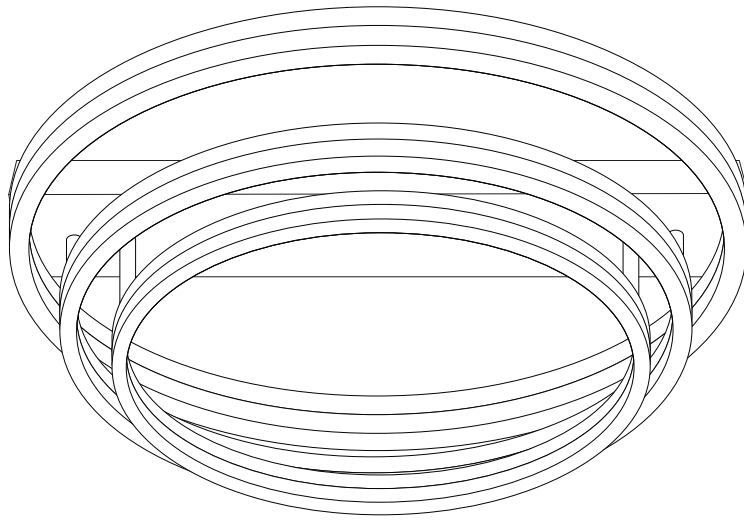


# NORE

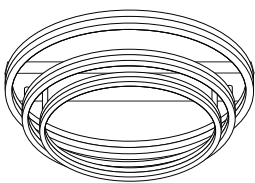




A

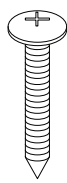


A



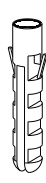
x 1

B



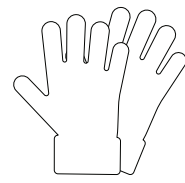
x 2

C



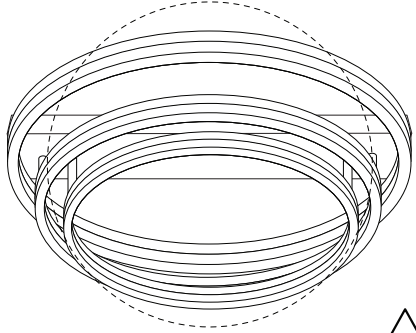
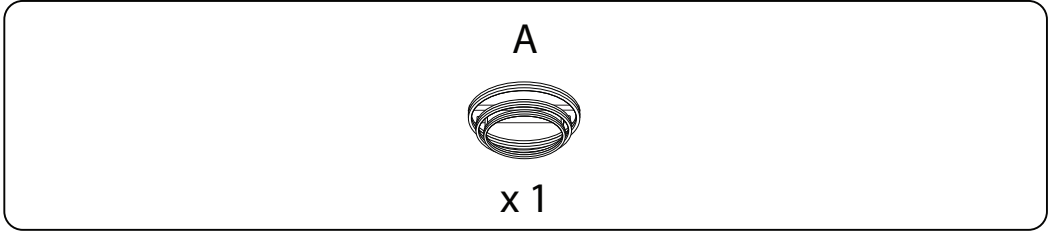
x 2

D

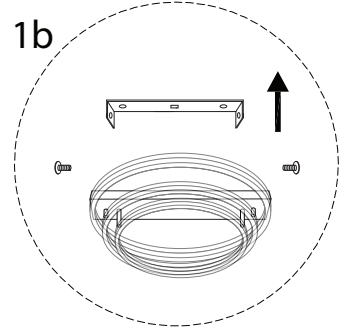
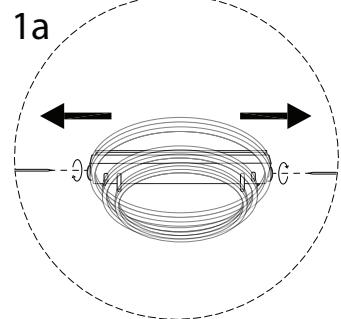
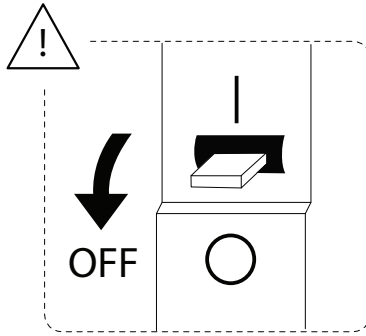


x 1

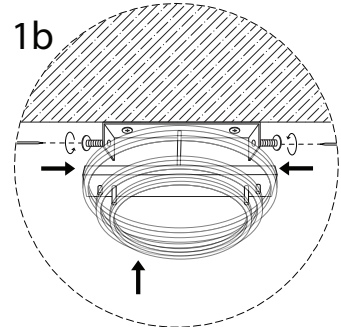
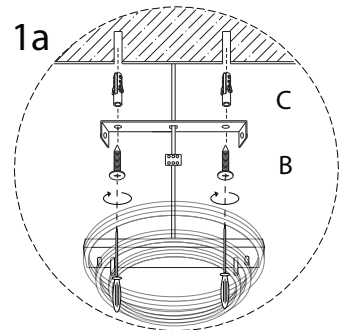
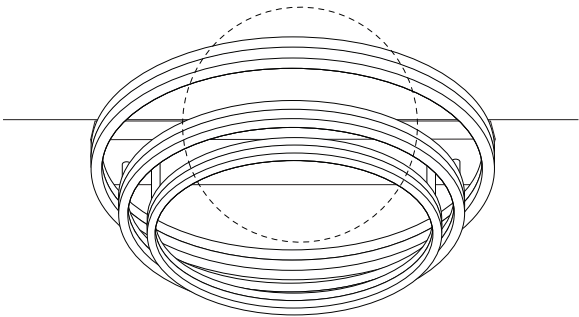
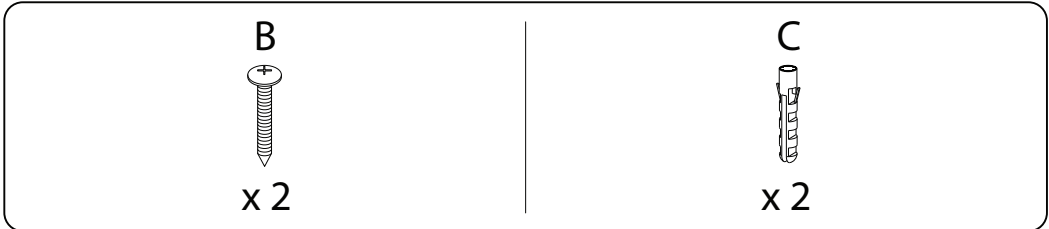
1



A



2



!

