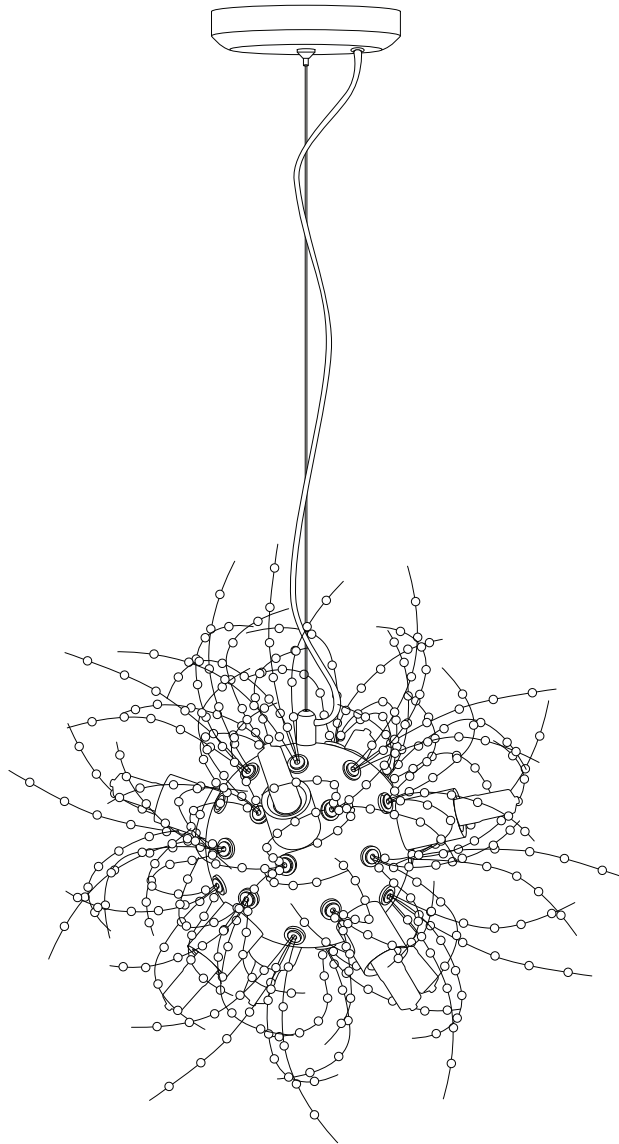
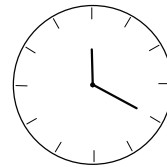
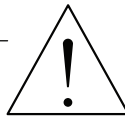
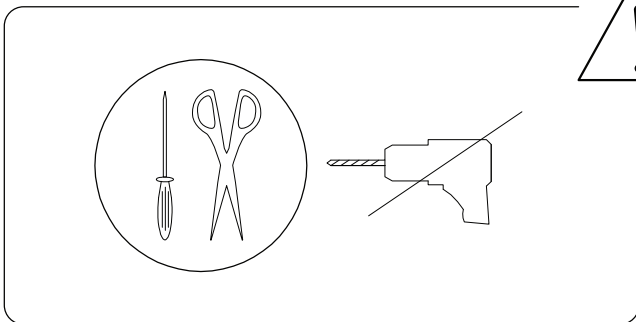
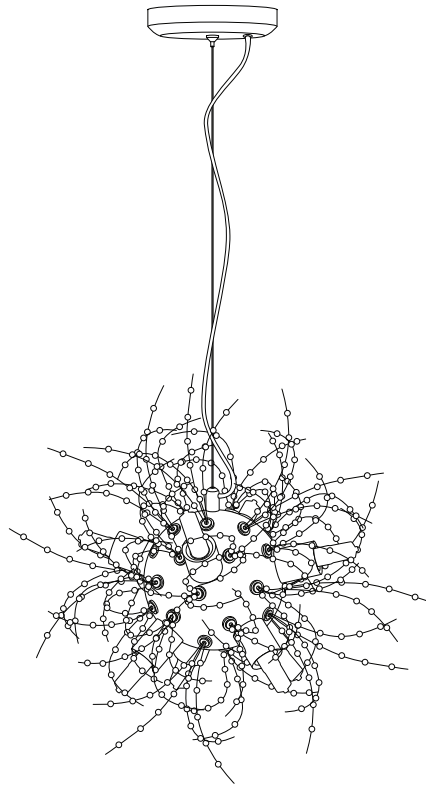
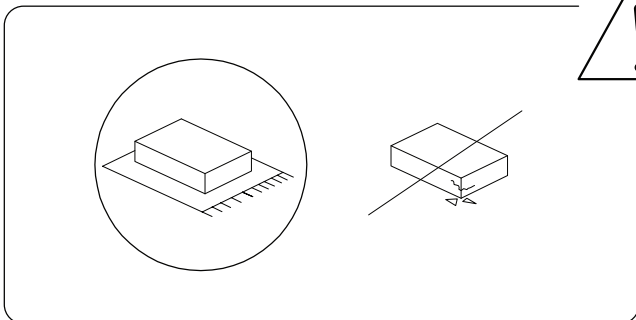


# TOROLA



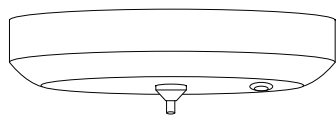


20'

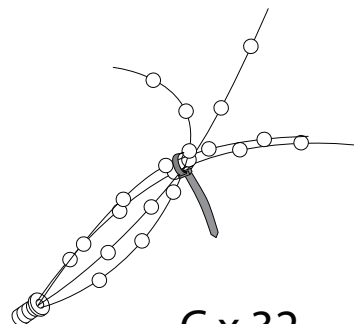
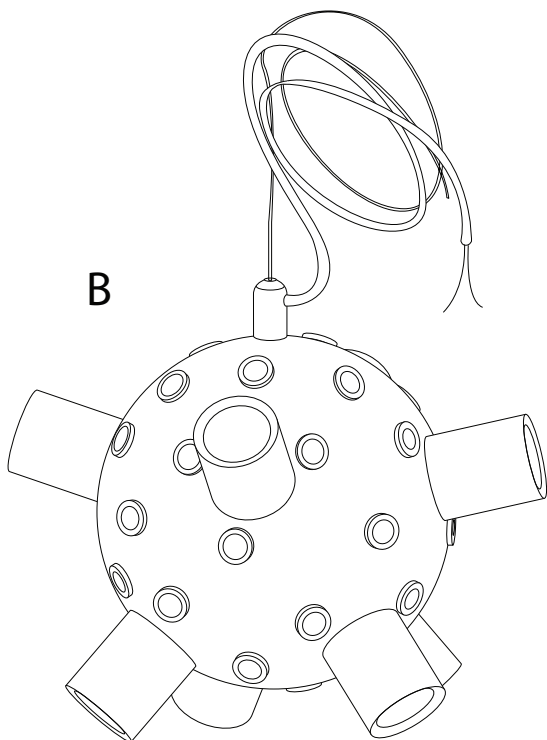


1

A

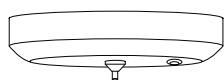


B



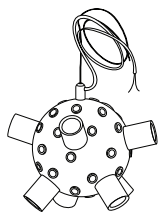
C x 32

A



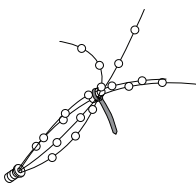
x 1

B



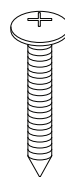
x 1

C



x 32

D



x 2

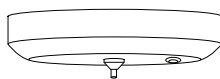
E



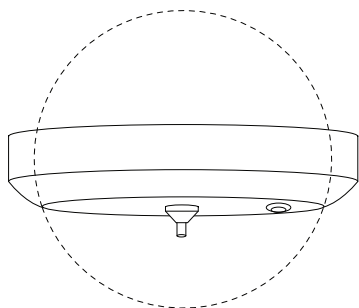
x 2

1

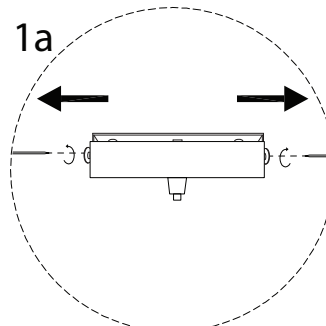
A



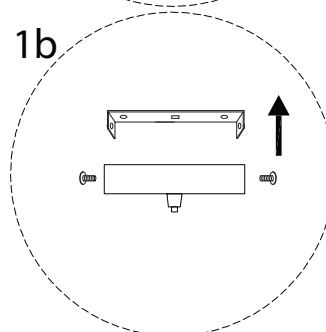
x 1



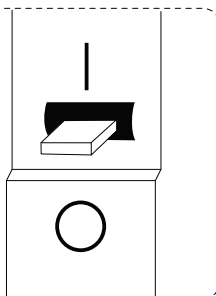
1a



1b

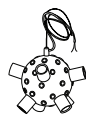


OFF



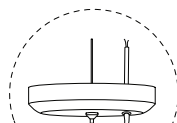
2

B

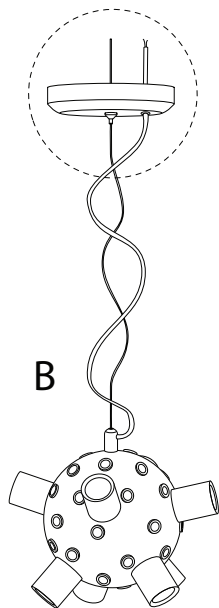


x 1

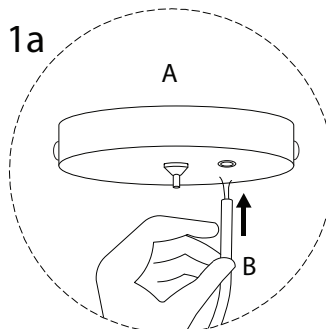
A



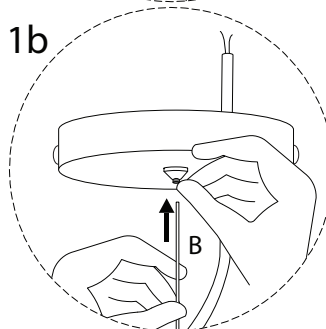
B



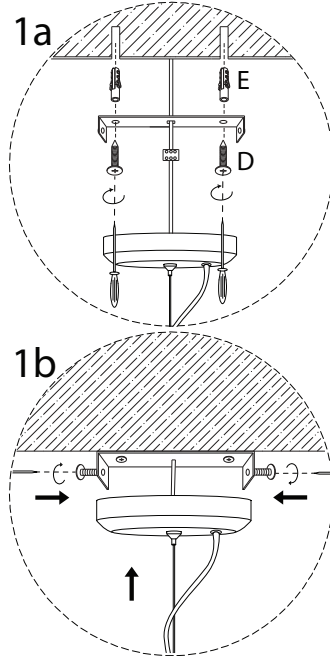
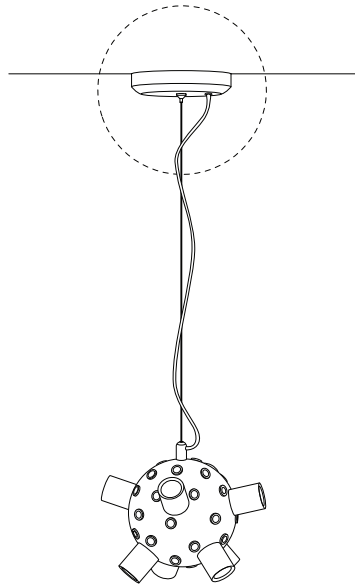
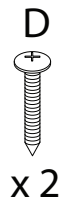
1a



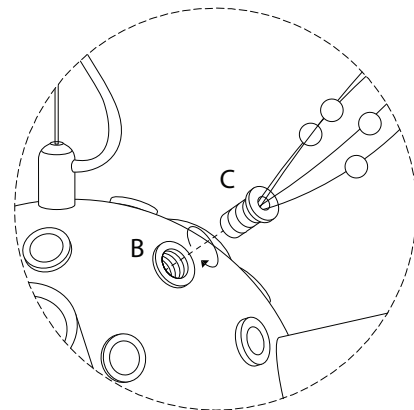
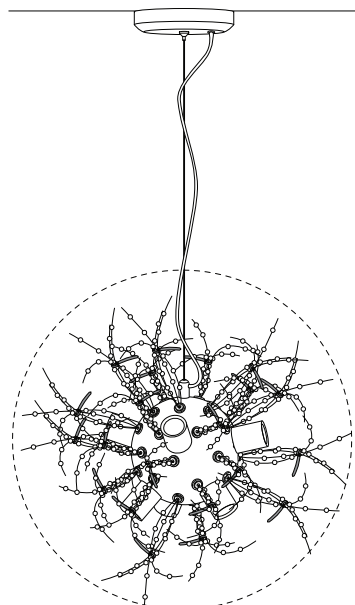
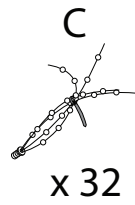
1b



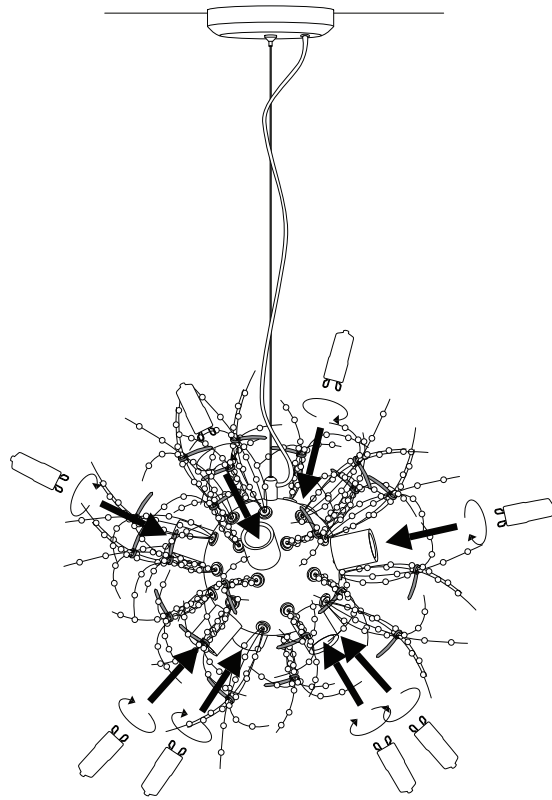
3



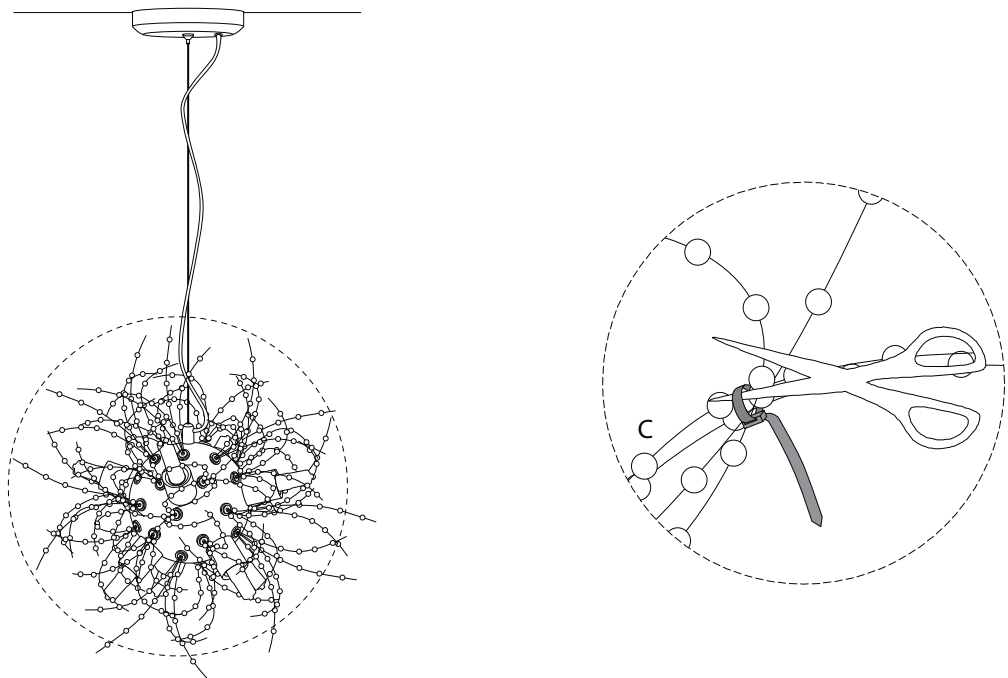
4



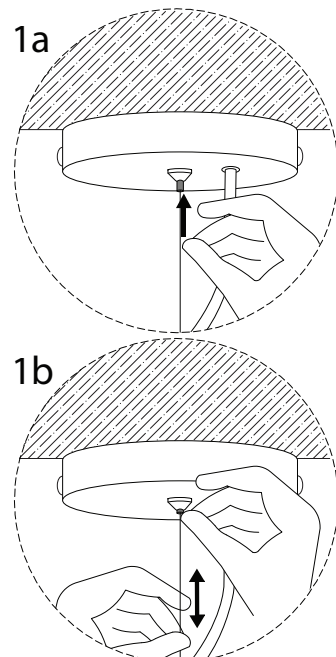
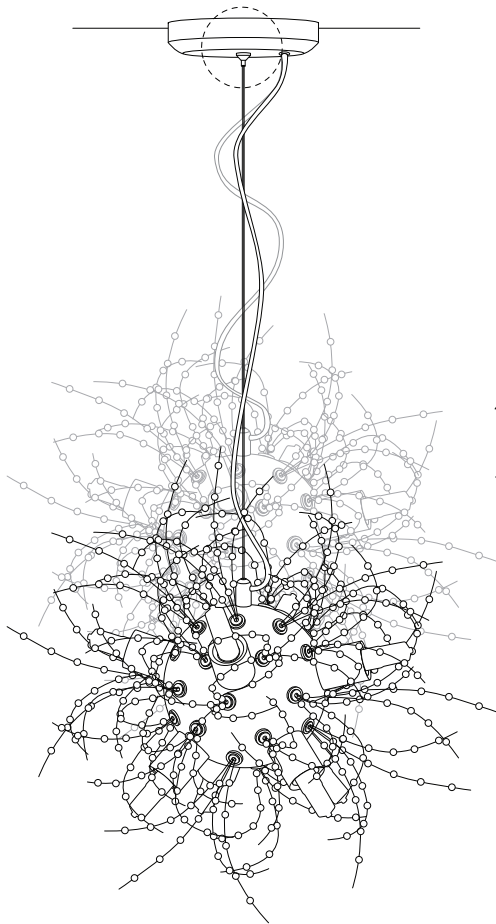
5



6



!



!

