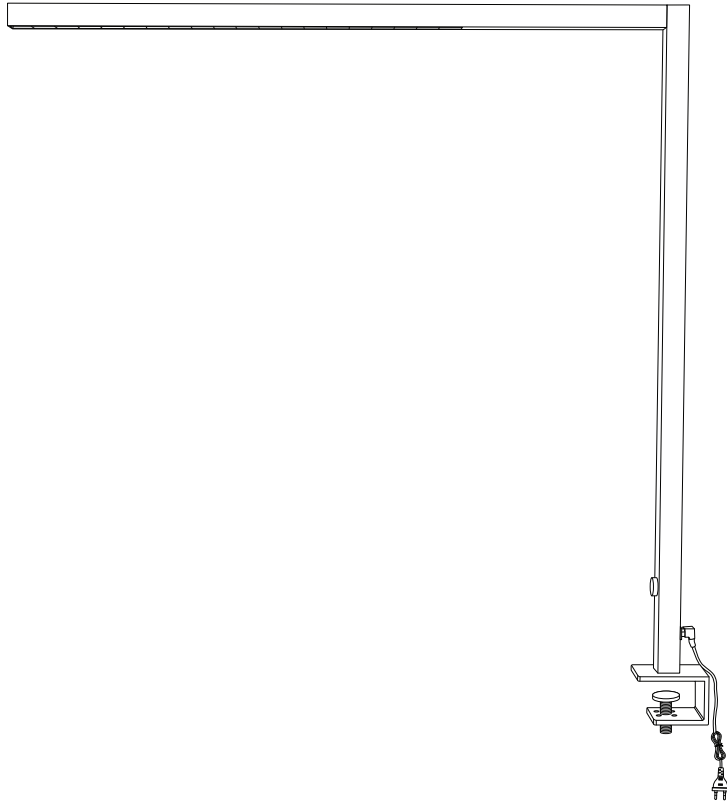
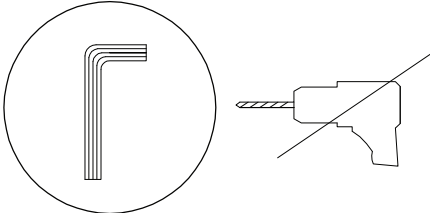

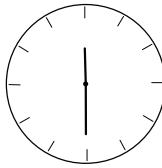
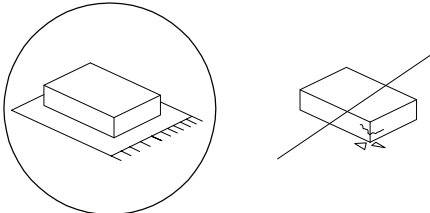


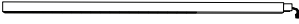





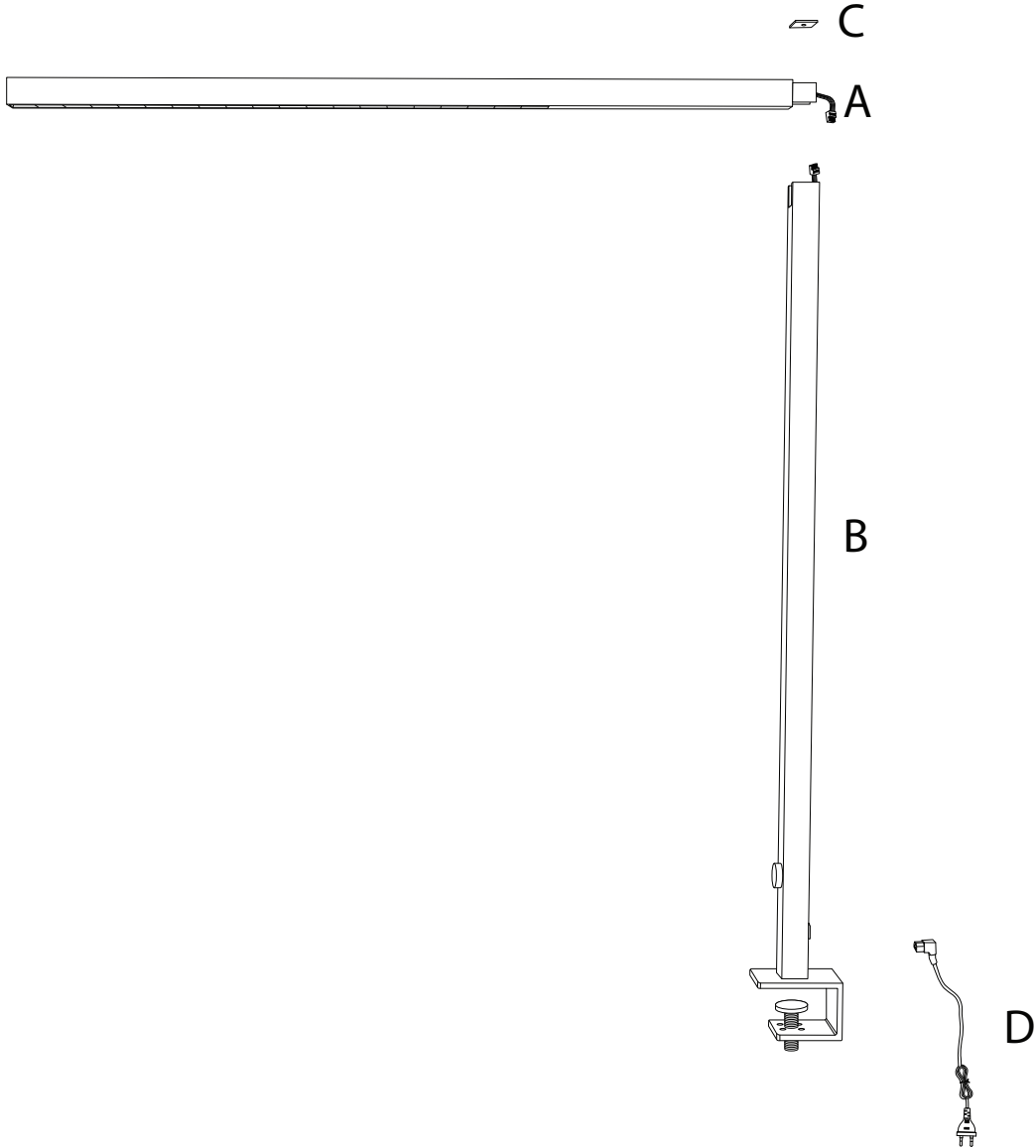
VOLANS

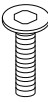








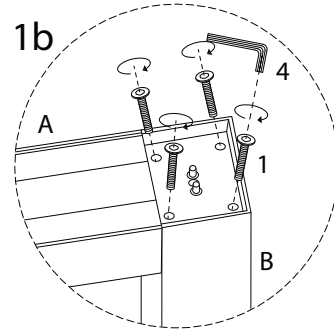
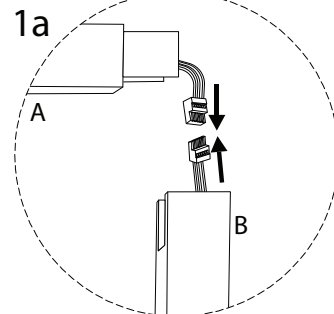
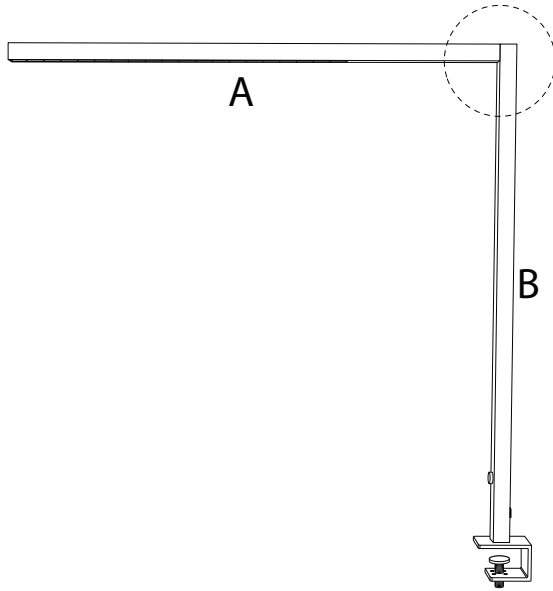
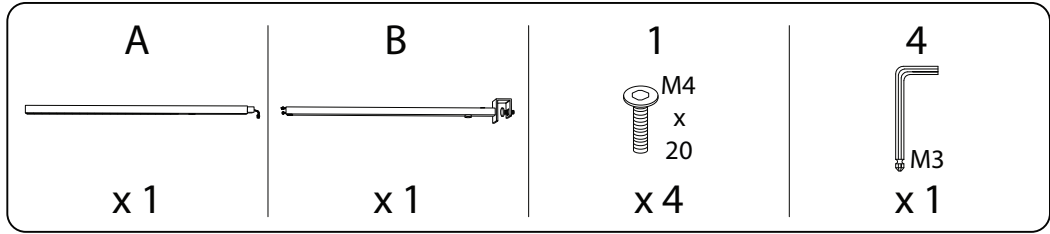
		
		
		2

A	B	C	D
			
x 1	x 1	x 1	x 1

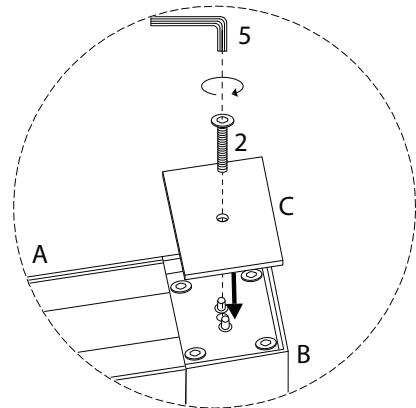
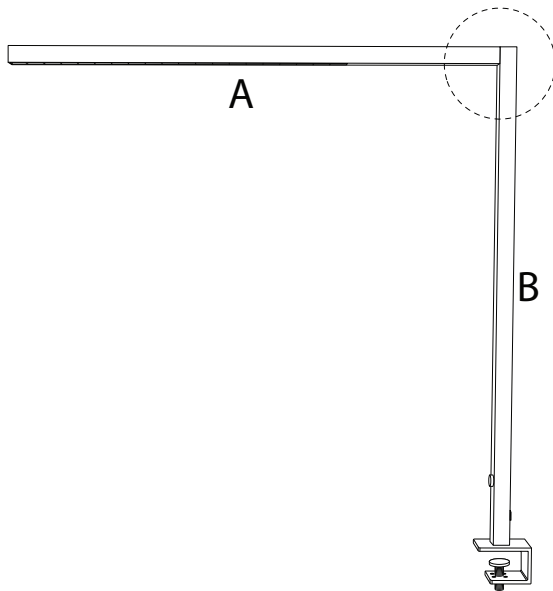
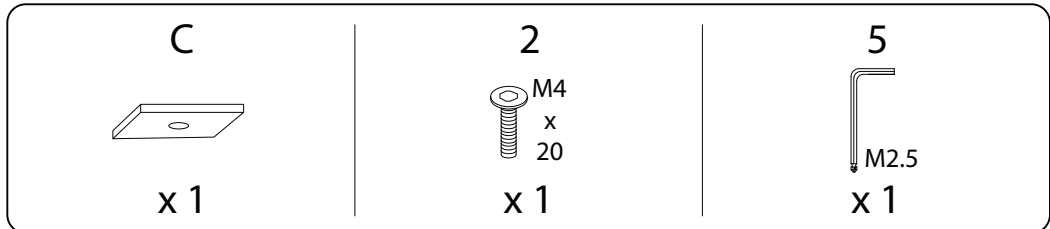


1	2	3	4	5
				
x 4	x 1	x 1	x 1	x 1

1

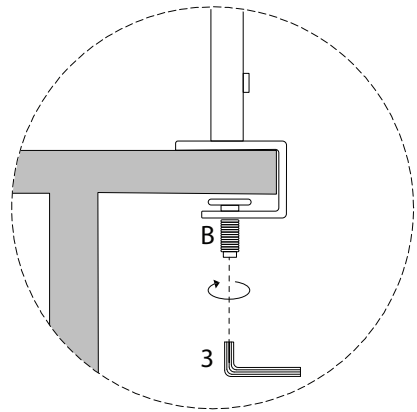
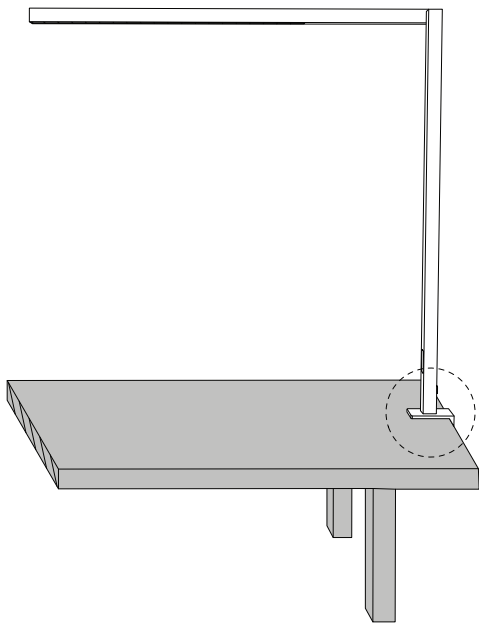


2



3

3
M4
x 1



4

D
x 1

