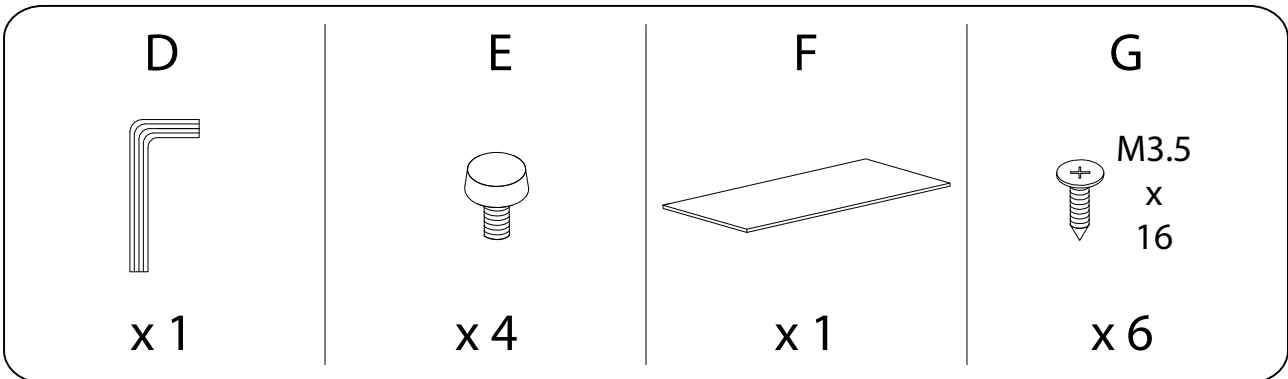
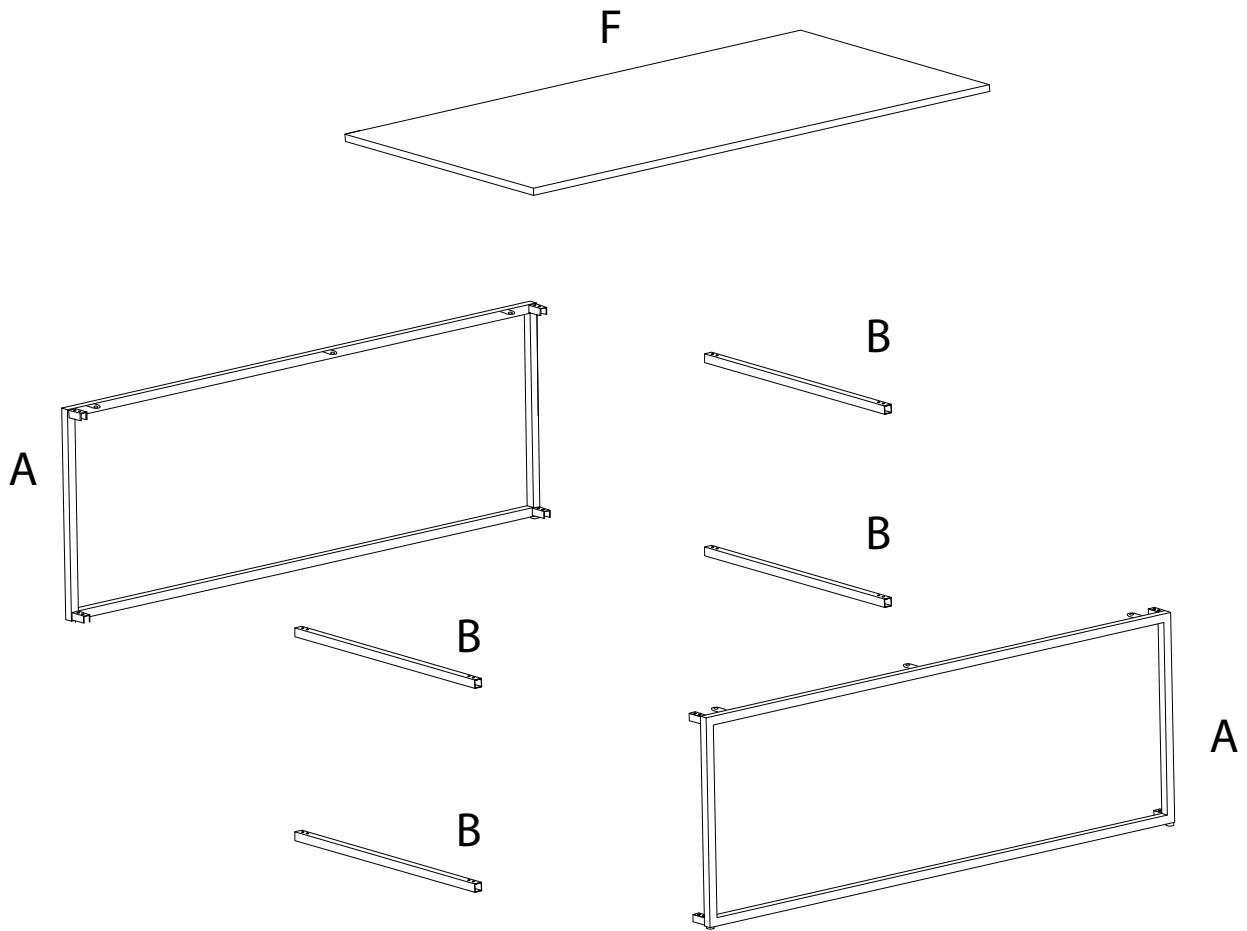
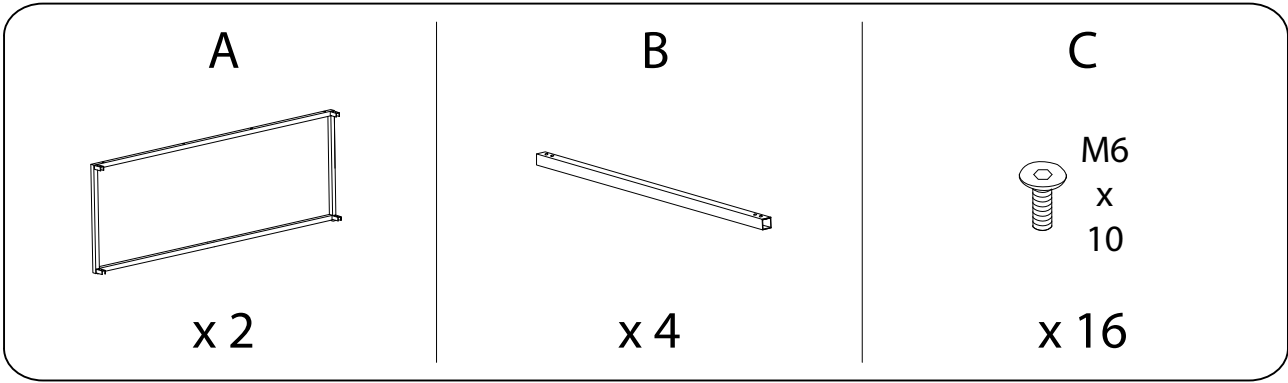
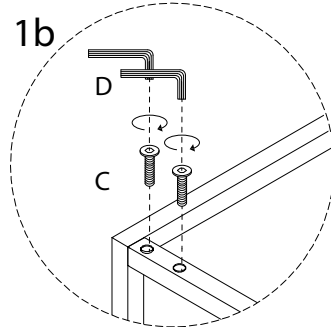
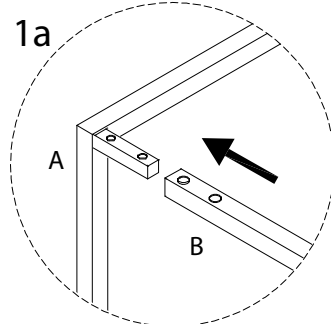
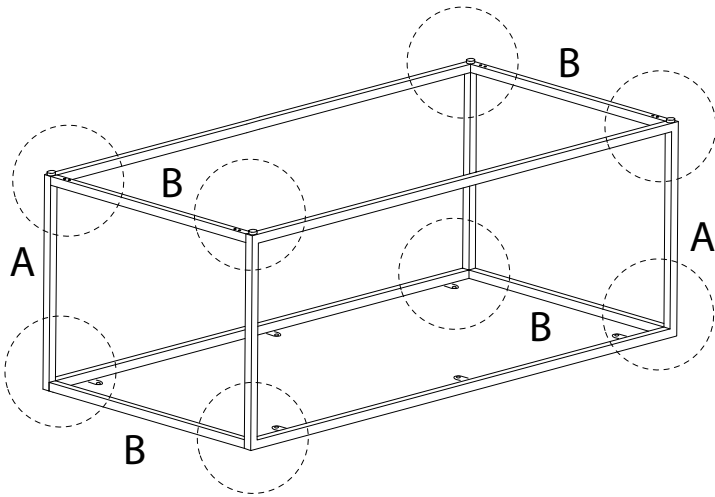
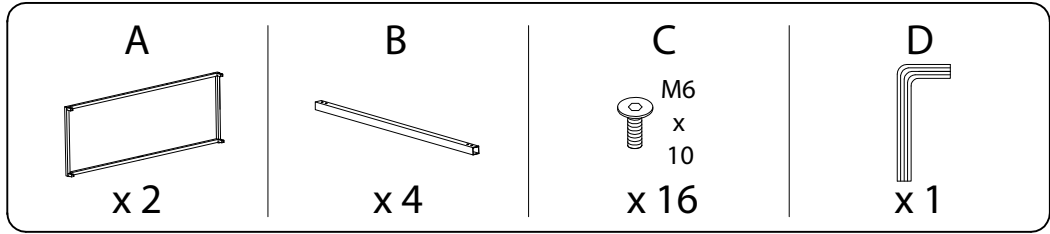


Diagram illustrating assembly steps and safety warnings:

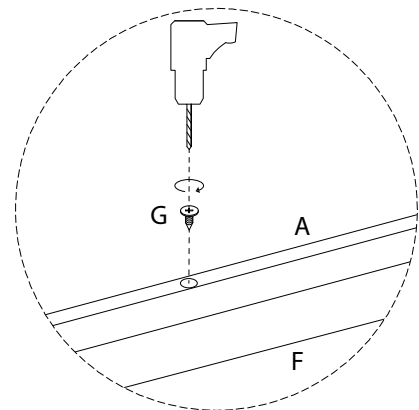
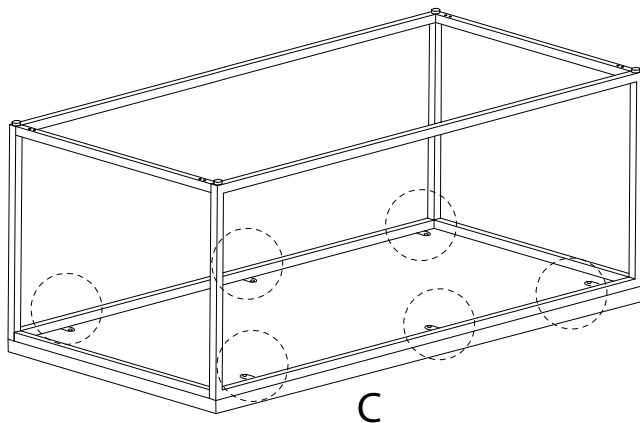
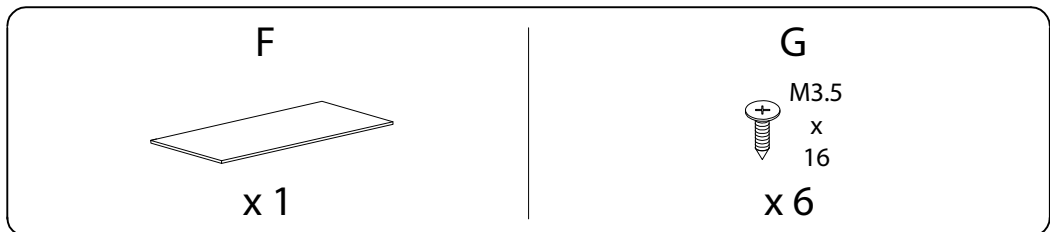
- Step 1:** Shows an Allen key and a power drill. A warning triangle with an exclamation mark is present. A clock icon indicates a time requirement of **30'**.
- Step 2:** Shows a rectangular panel being placed on a surface and a warning triangle with an exclamation mark. A person icon indicates that **1** person is required.



1



2



3

E



x 4

