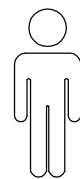
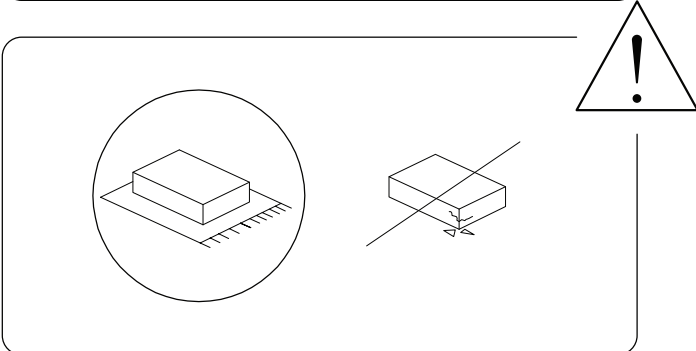
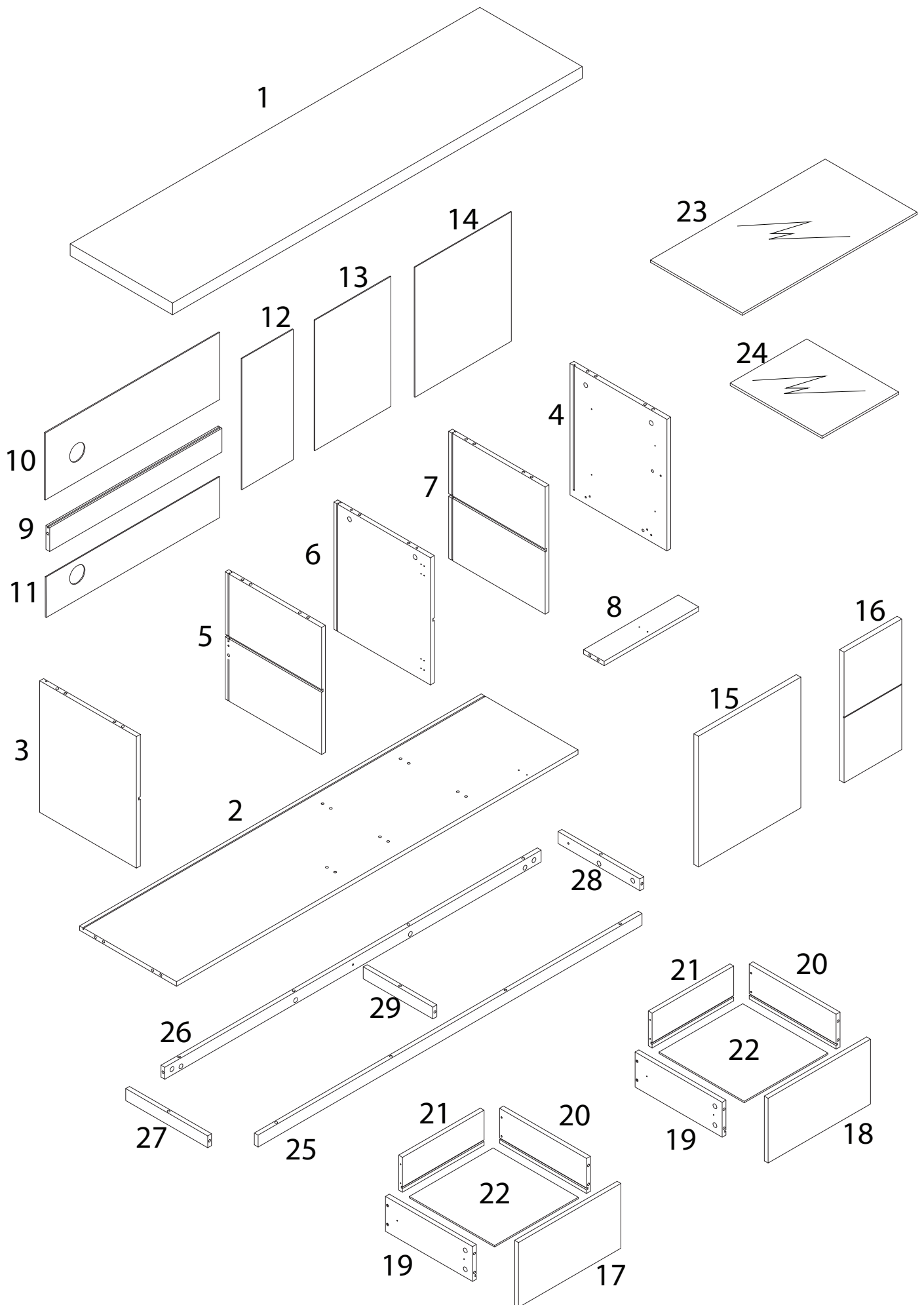


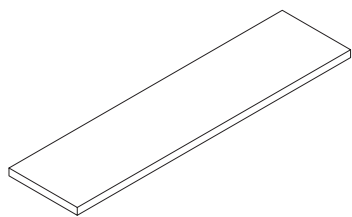
60'



2

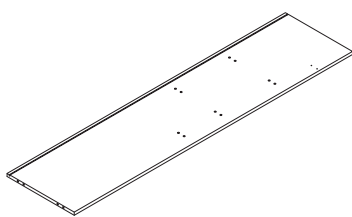


1



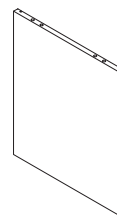
x 1

2



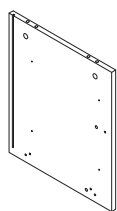
x 1

3



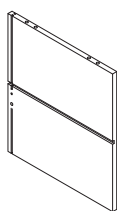
x 1

4



x 1

5



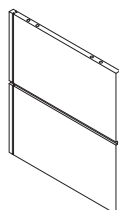
x 1

6



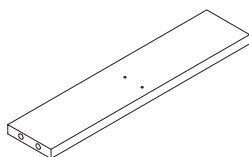
x 1

7



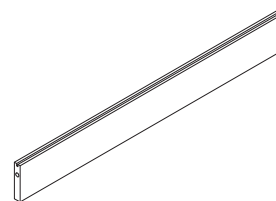
x 1

8



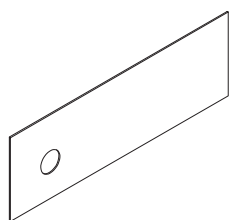
x 1

9



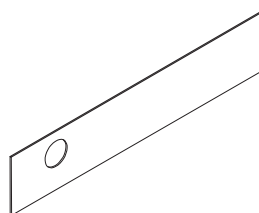
x 1

10



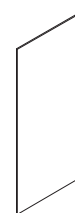
x 1

11



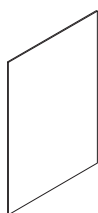
x 1

12



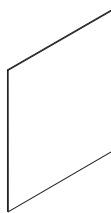
x 1

13



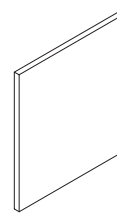
x 1

14



x 1

15



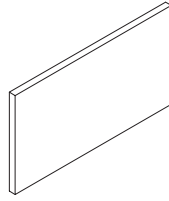
x 1

16



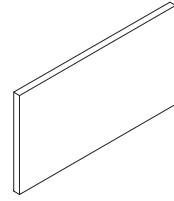
x 1

17



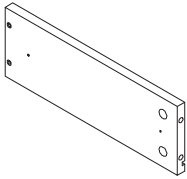
x 1

18



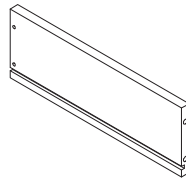
x 1

19



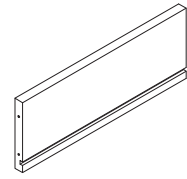
x 2

20



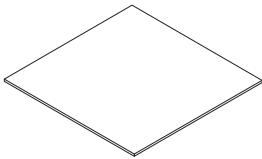
x 2

21



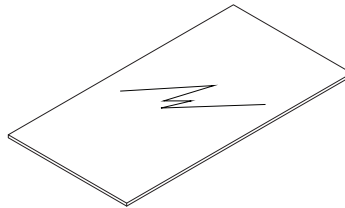
x 2

22



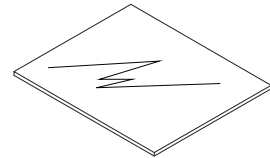
x 2

23



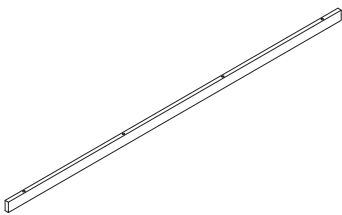
x 1

24



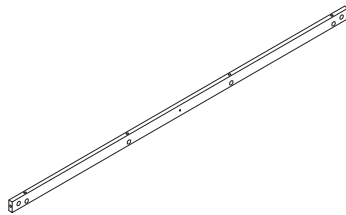
x 1

25



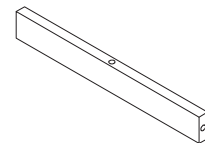
x 1

26



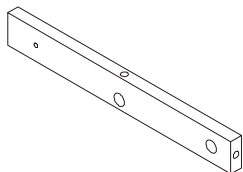
x 1

27



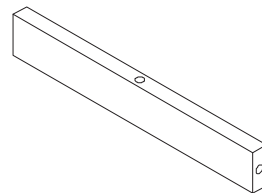
x 1

28



x 1

29



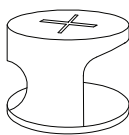
x 1

A



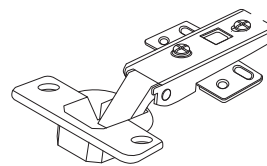
x 43

B



x 43

C



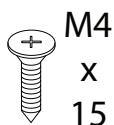
x 4

D



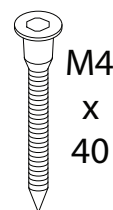
x 24

E



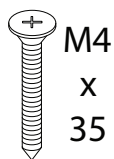
x 62

F



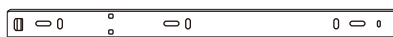
x 6

G



x 8

H



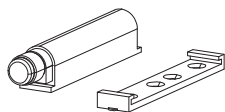
x 4

I



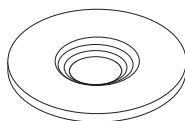
x 4

J



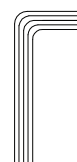
x 2

K



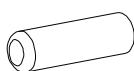
x 2

L



x 1

M



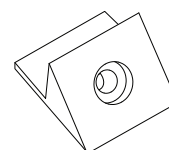
x 4

N



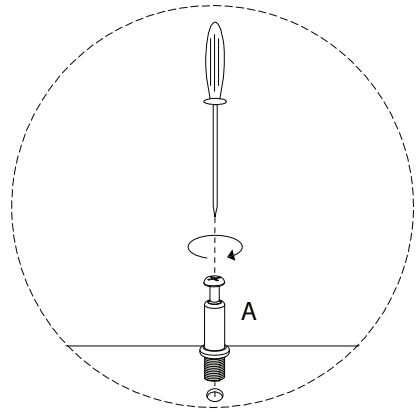
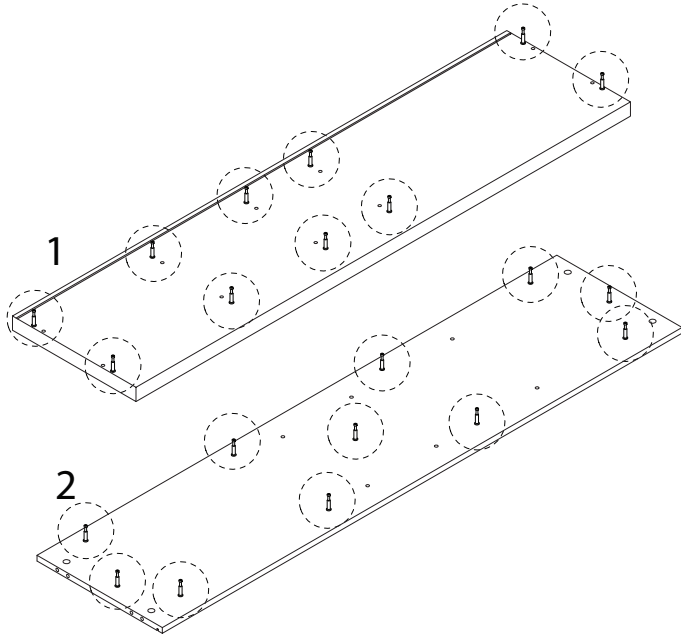
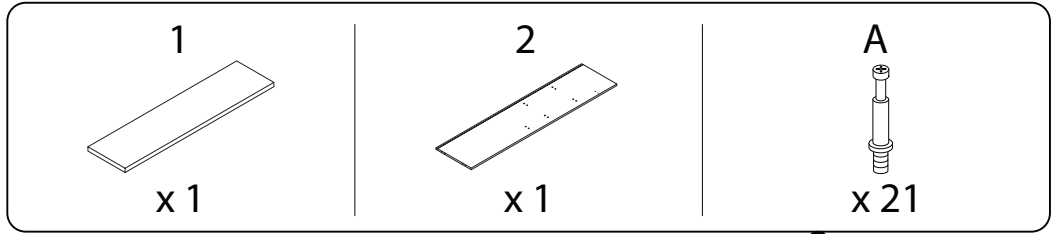
x 14

O

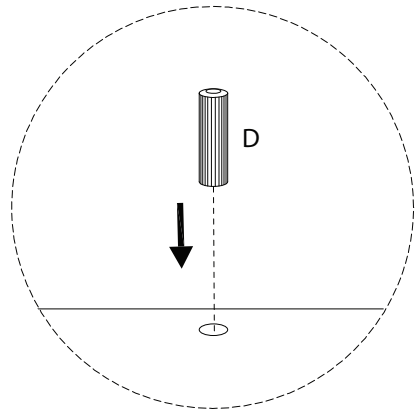
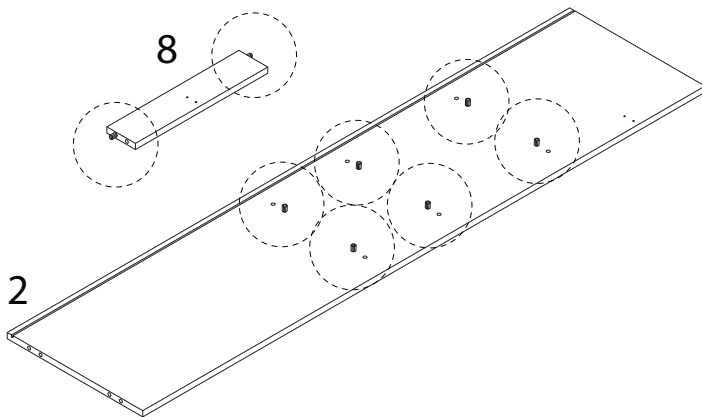
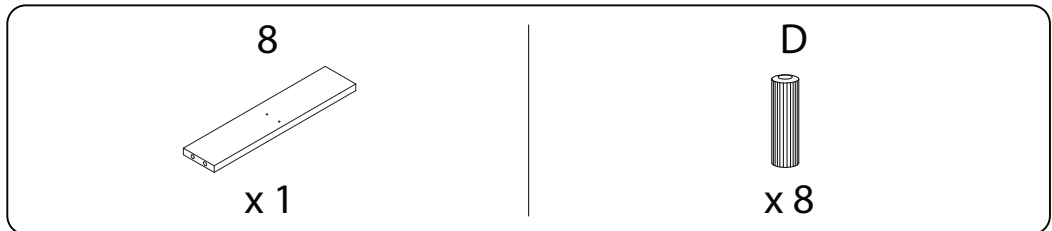


x 16

1

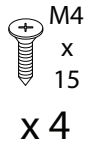


2

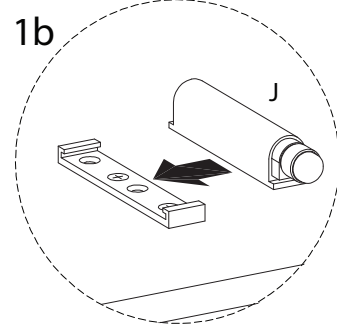
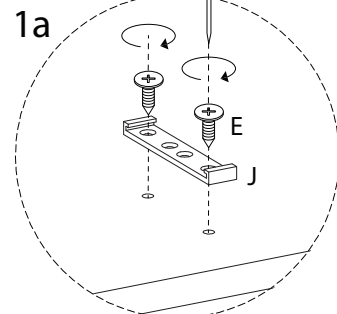
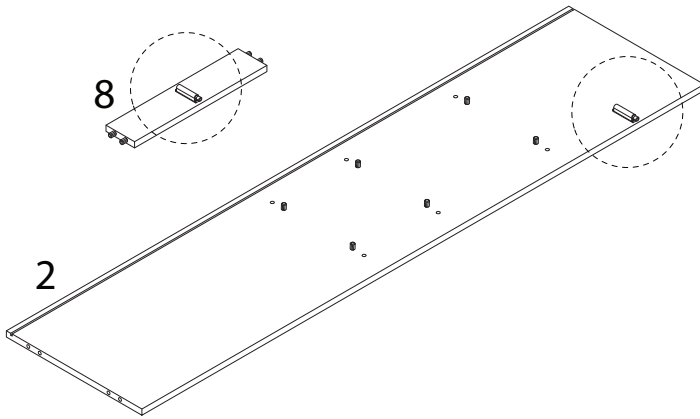
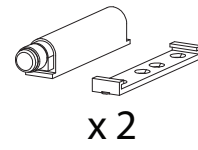


3

E

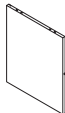


J



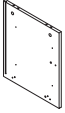
4

3



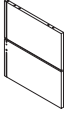
x1

4



x1

5



x1

7

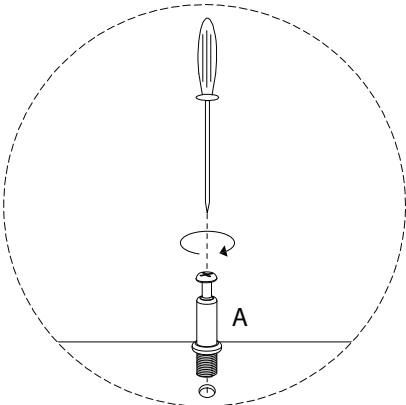
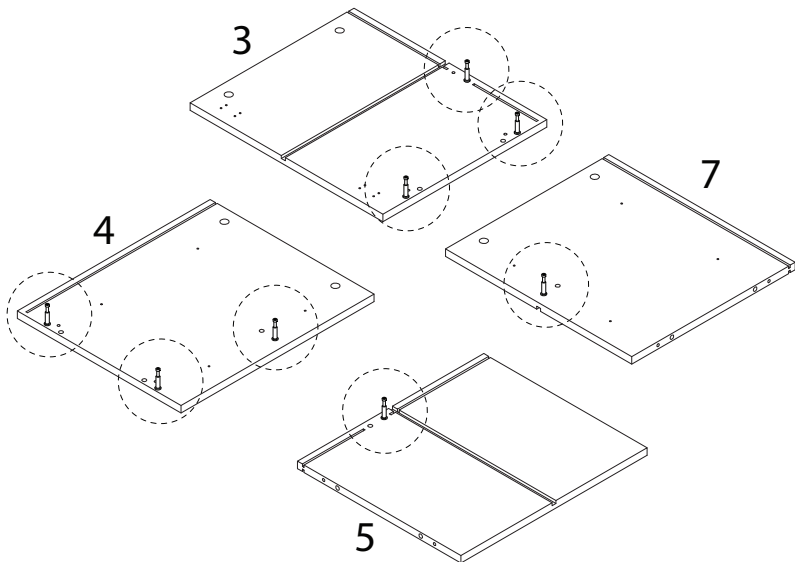


x1

A

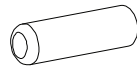


x8

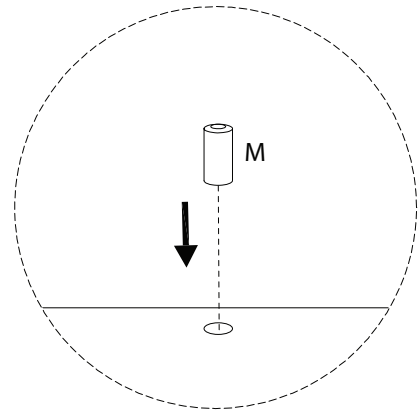
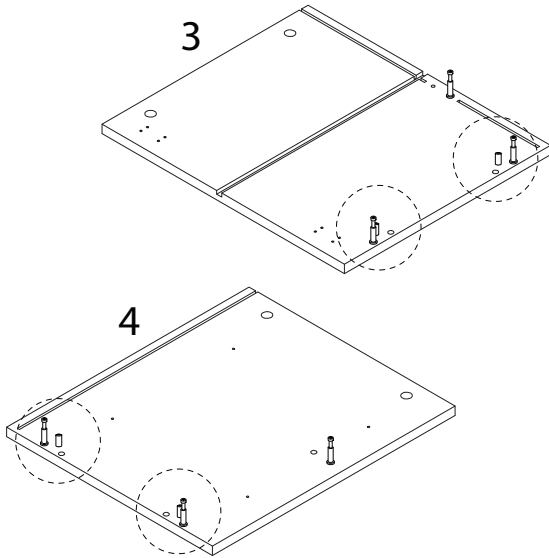


5

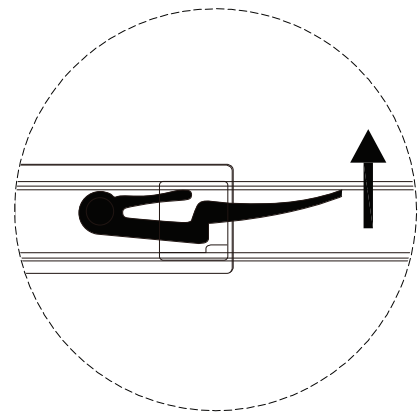
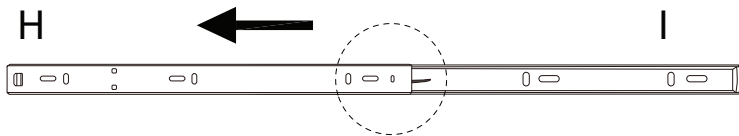
M



x 4



!



6

E

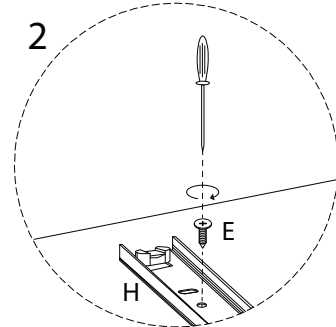
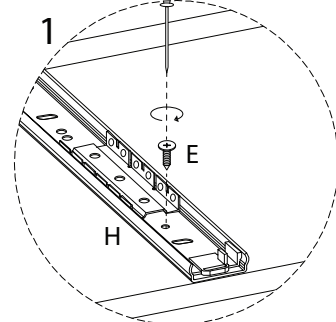
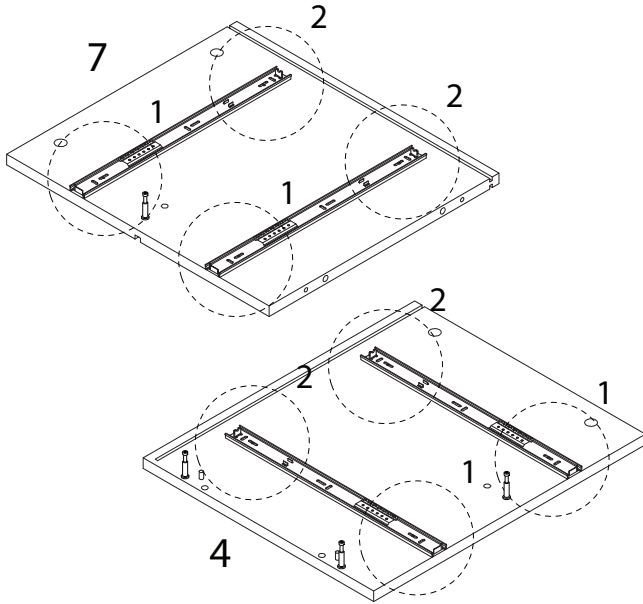


x 8

H

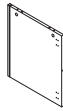


x 4



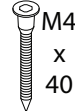
7

6



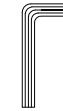
x 1

F

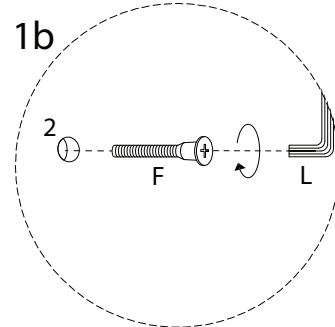
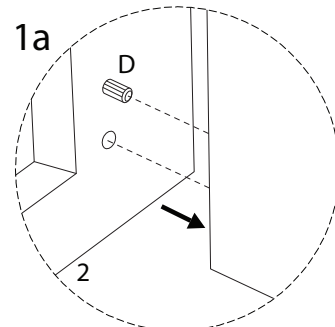
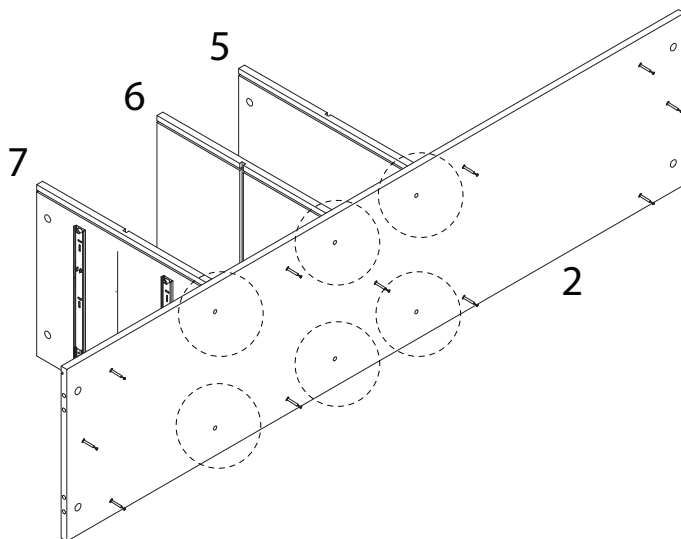


x 6

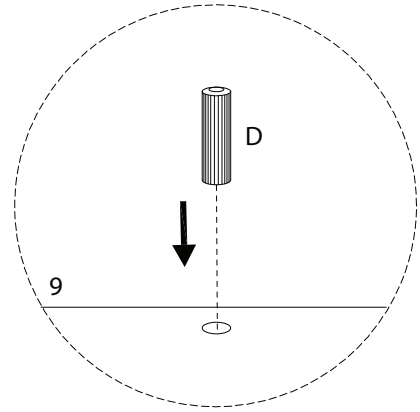
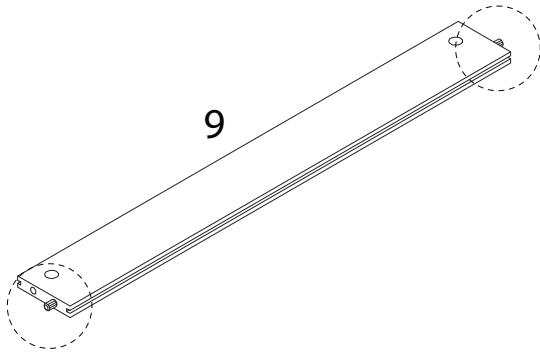
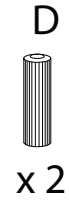
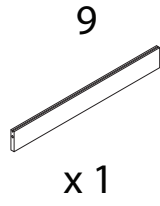
L



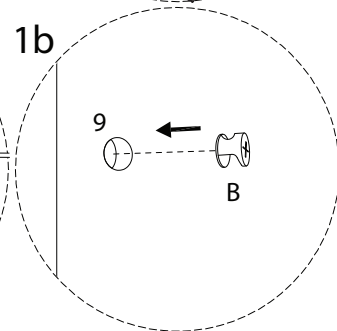
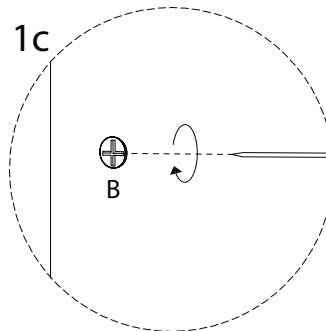
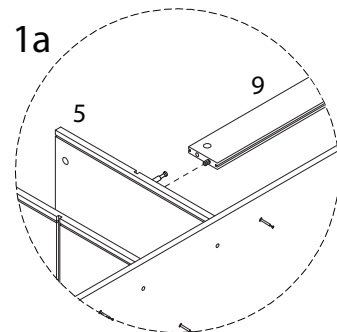
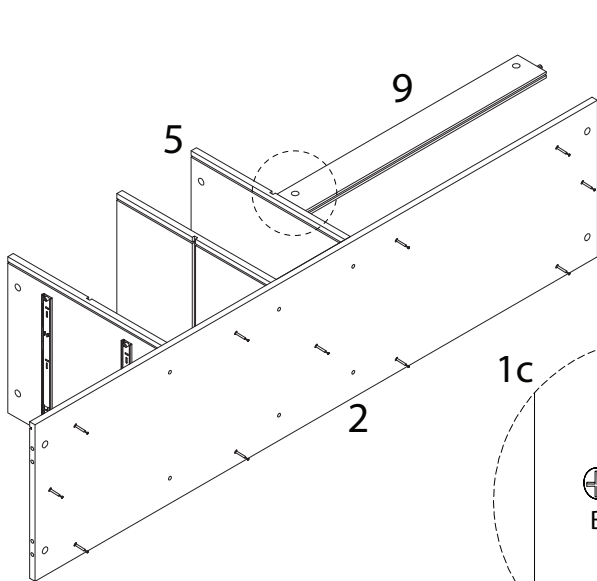
x 1



8

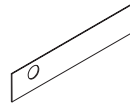


9

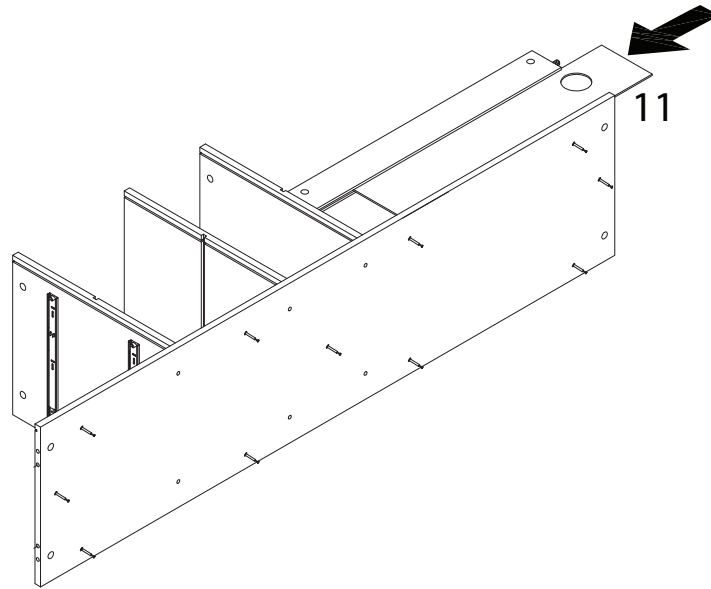


10

11



x1

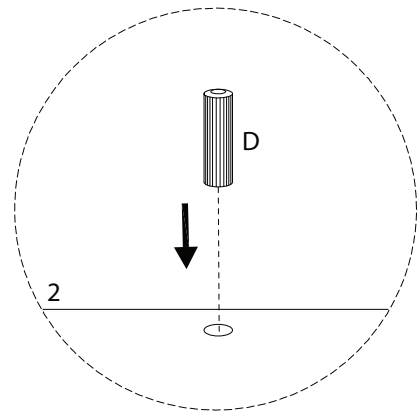
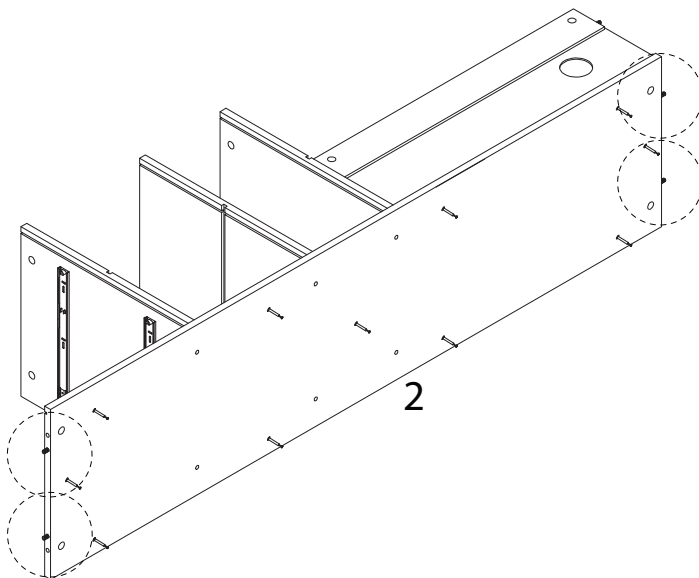


11

D



x4

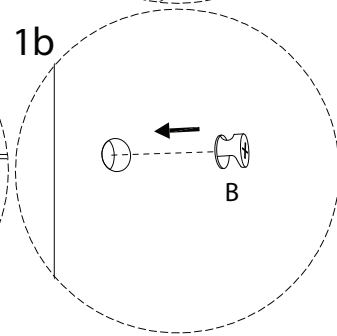
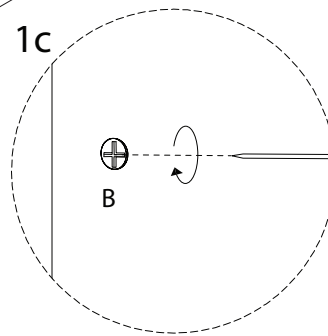
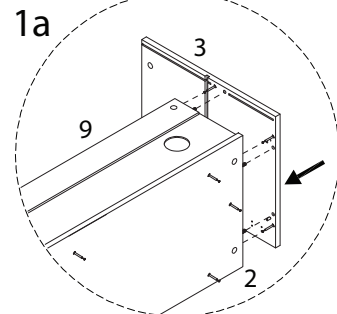
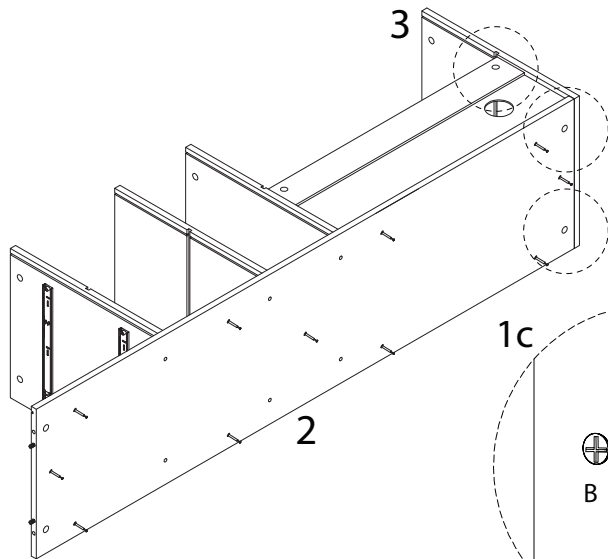


12

B



x 3

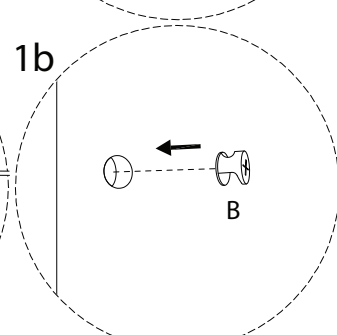
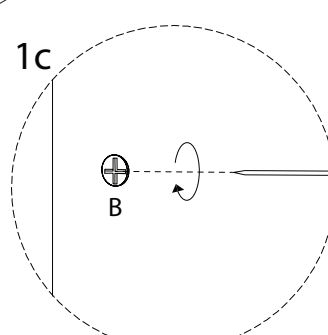
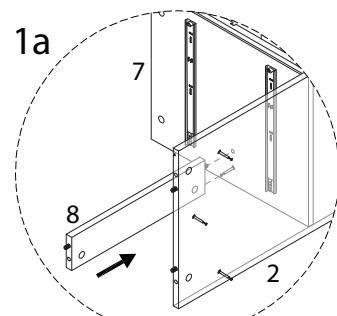
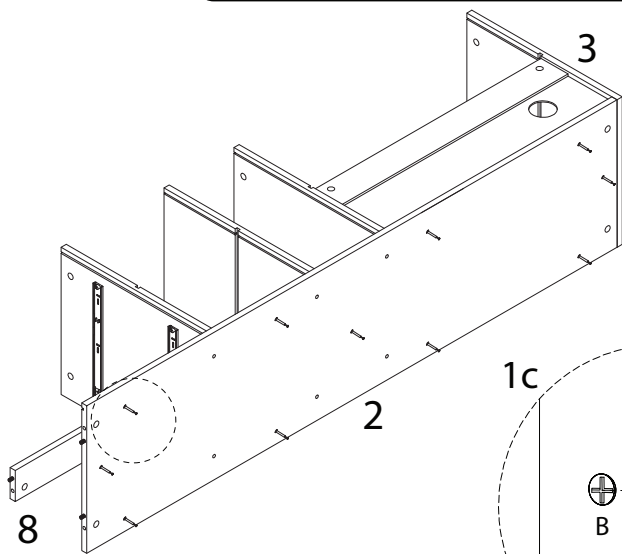


13

B



x 1

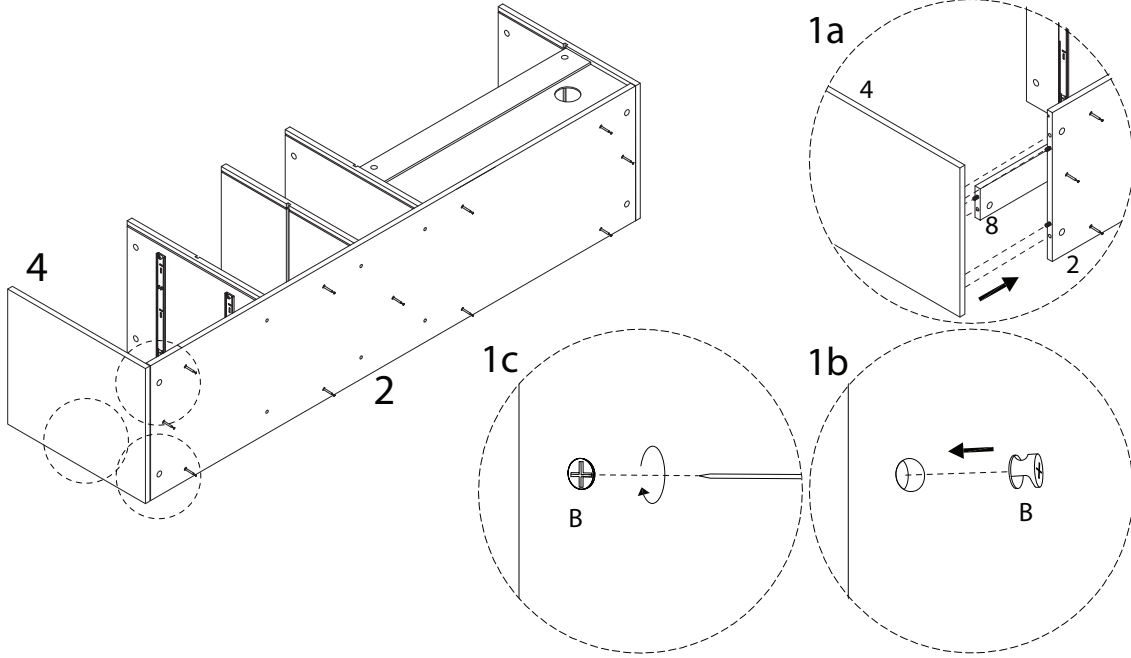


14

B

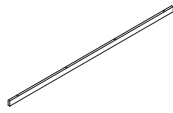


x 3



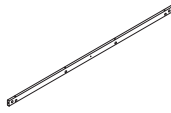
15

25



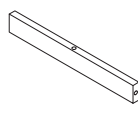
x 1

26



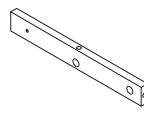
x 1

27



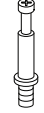
x 1

28

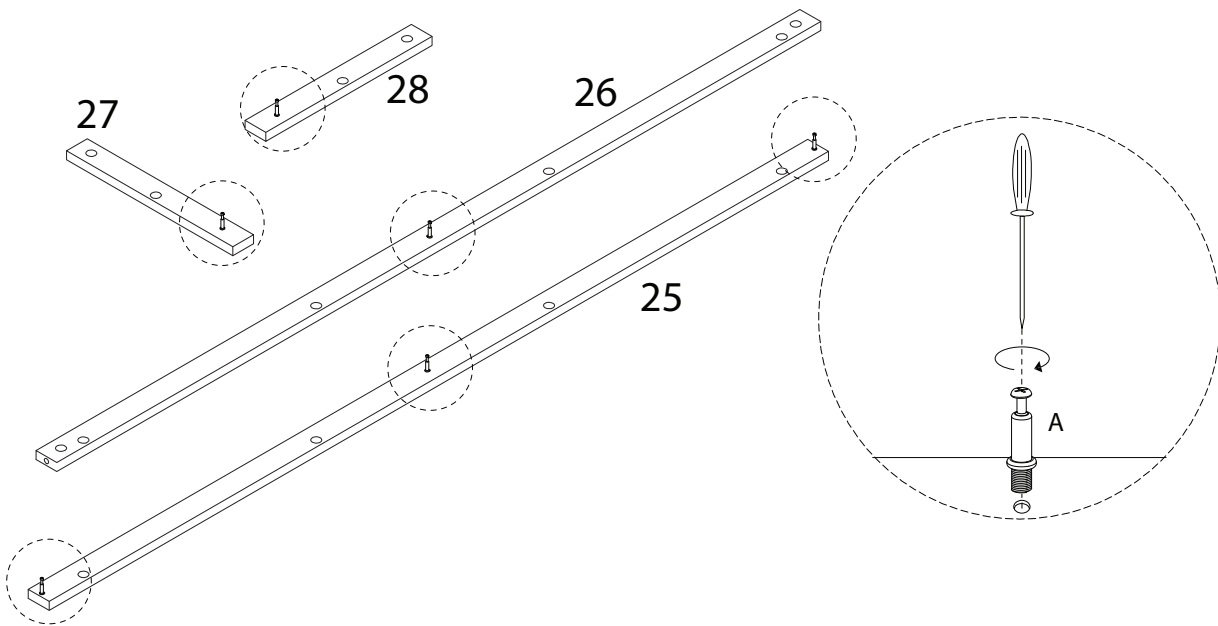


x 1

A

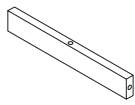


x 1



16

29

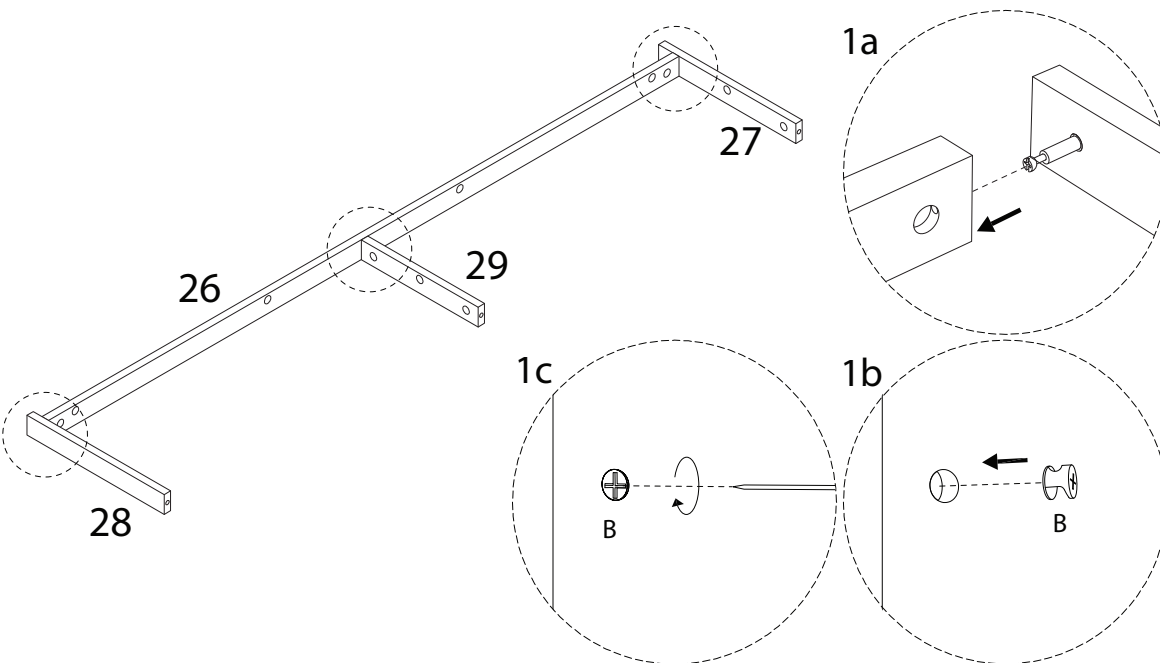


x 1

B



x 3

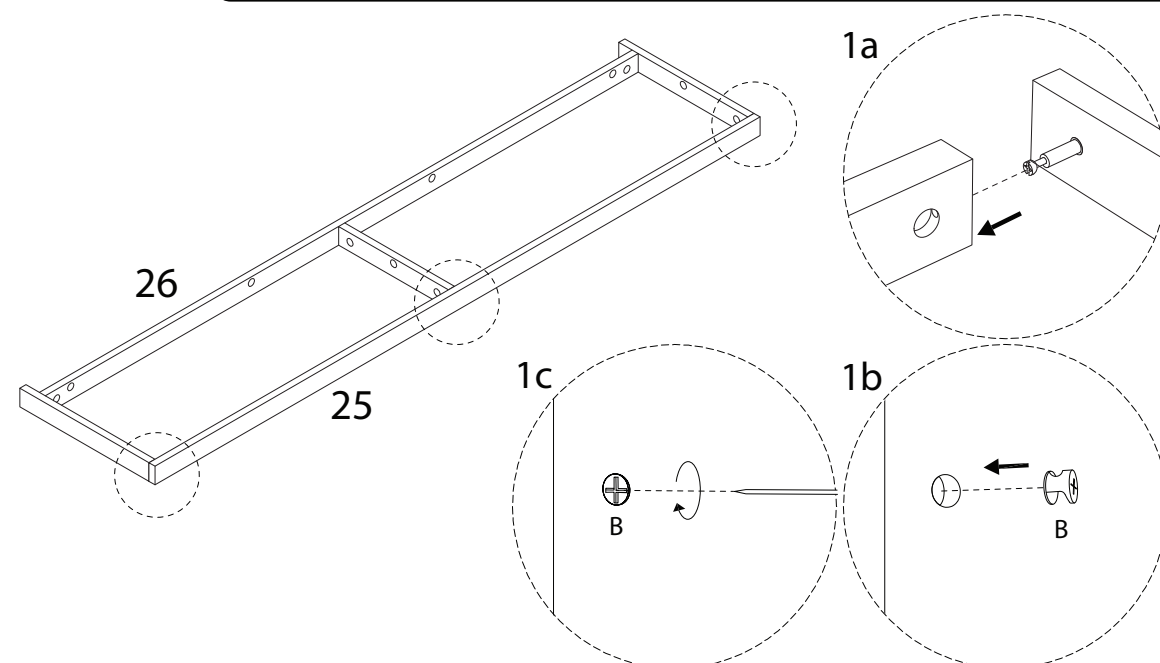


17

B



x 3

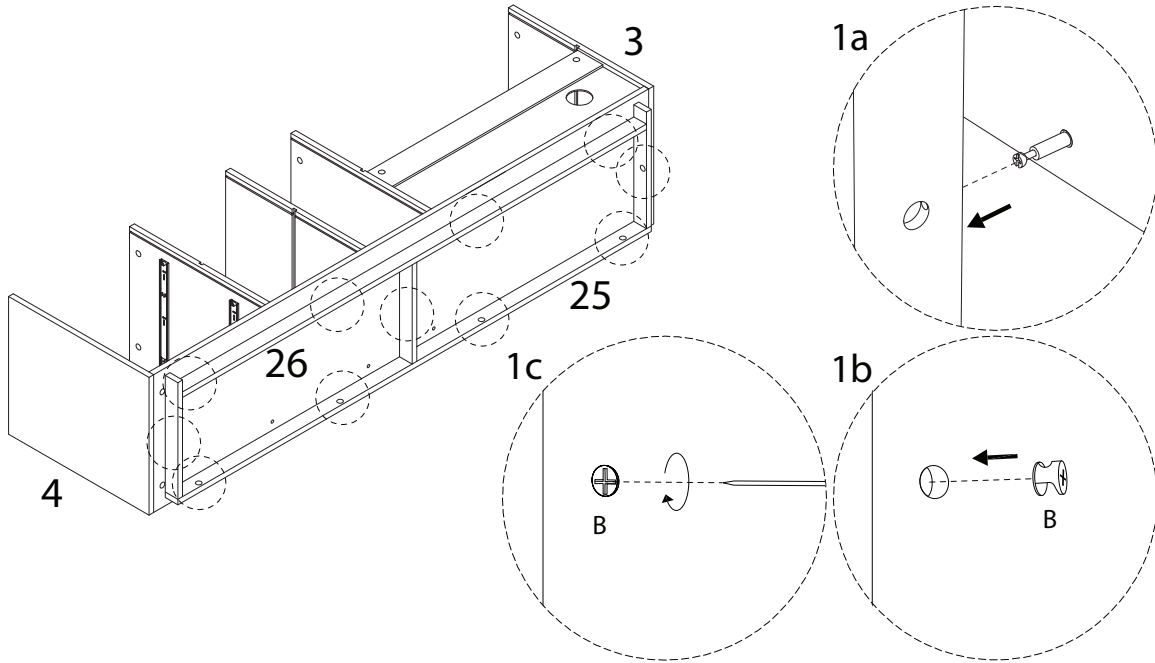


18

B

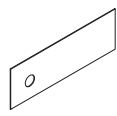


x 11



19

10



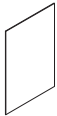
x 1

12



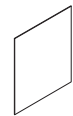
x 1

13

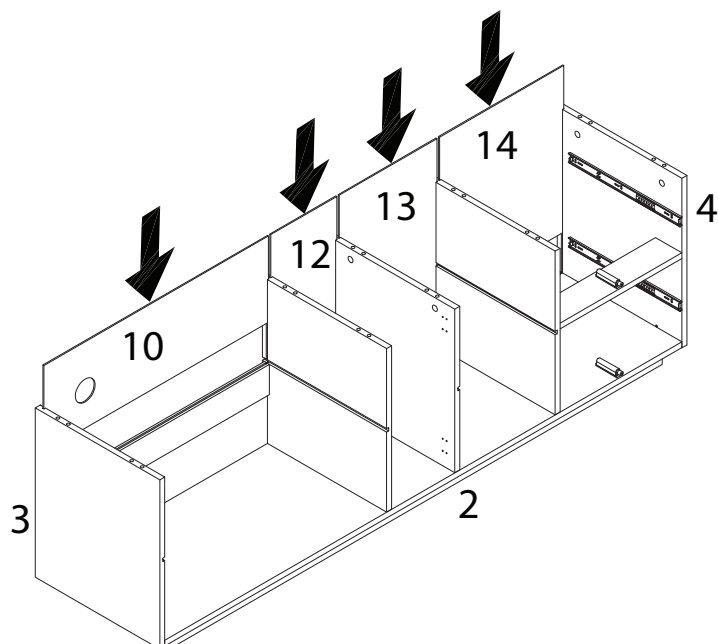


x 1

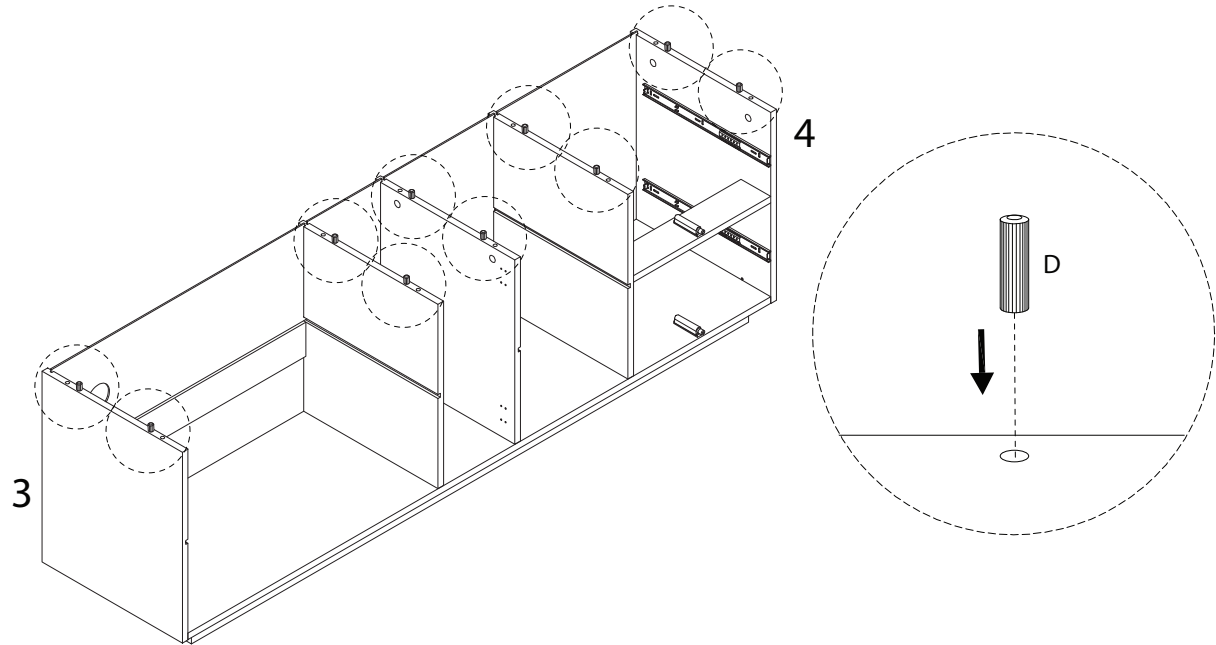
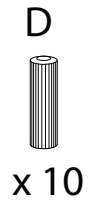
14



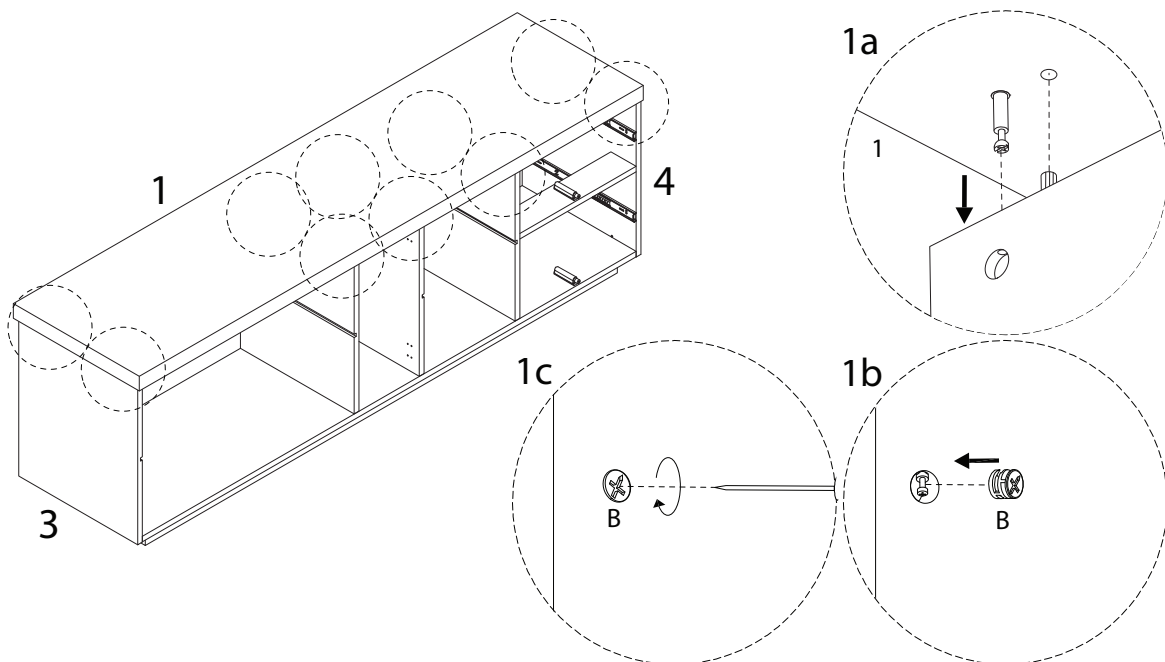
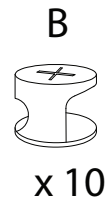
x 1



20

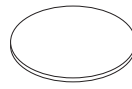


21

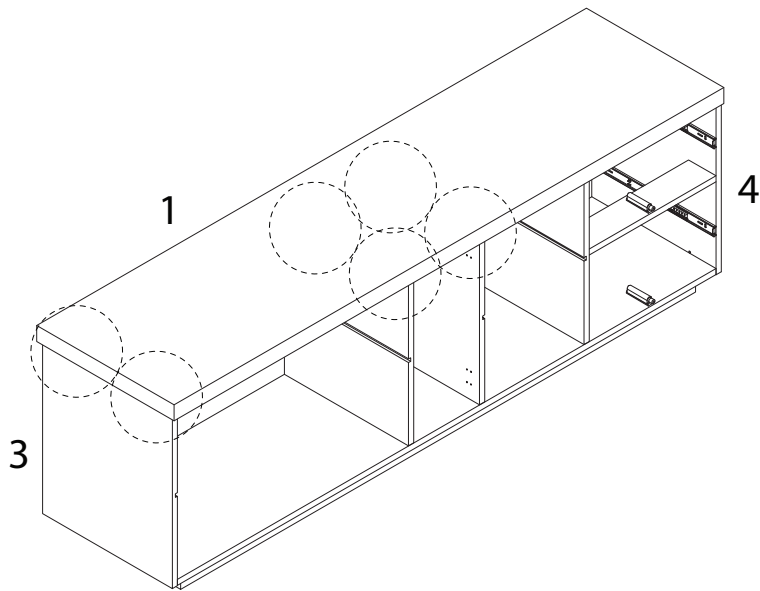


22

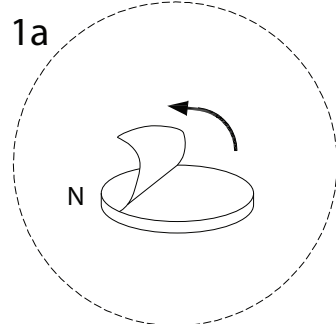
N



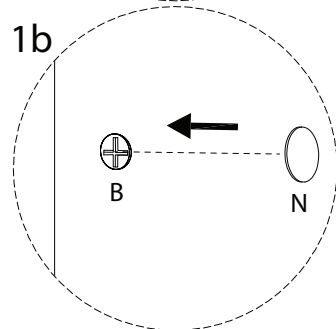
x 6



1a



1b



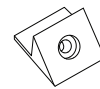
23

E

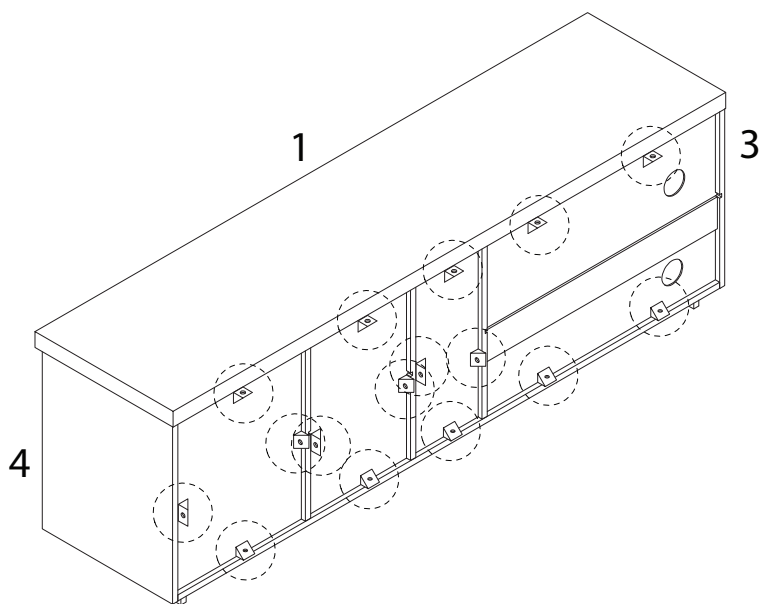


x 16

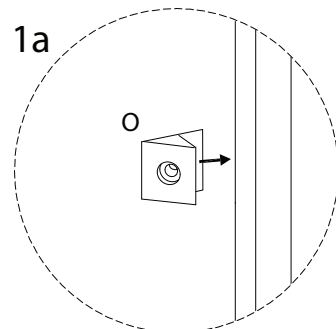
O



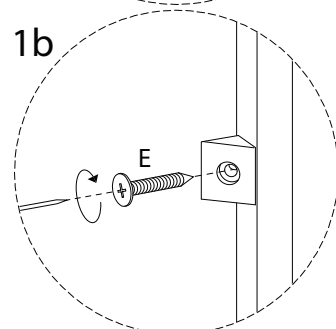
x 16



1a

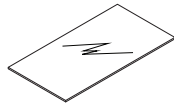


1b



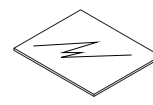
24

23

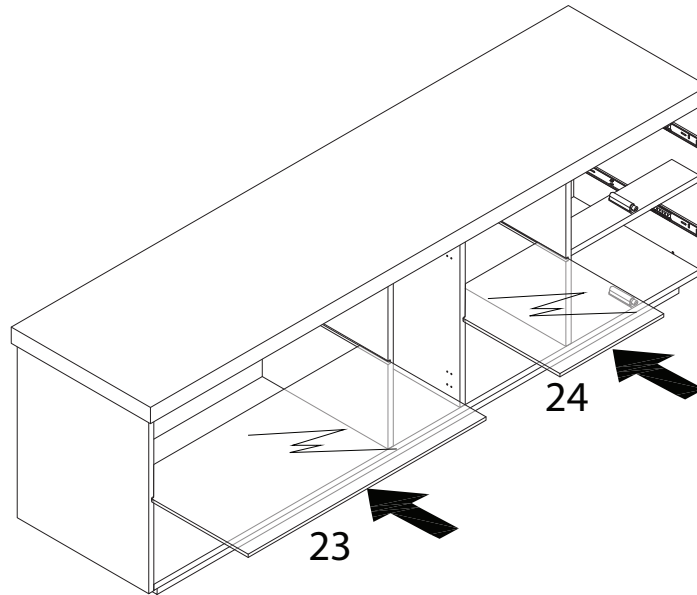


x 1

24

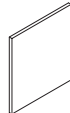


x 1



25

15



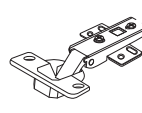
x 1

16



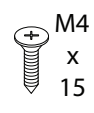
x 1

C

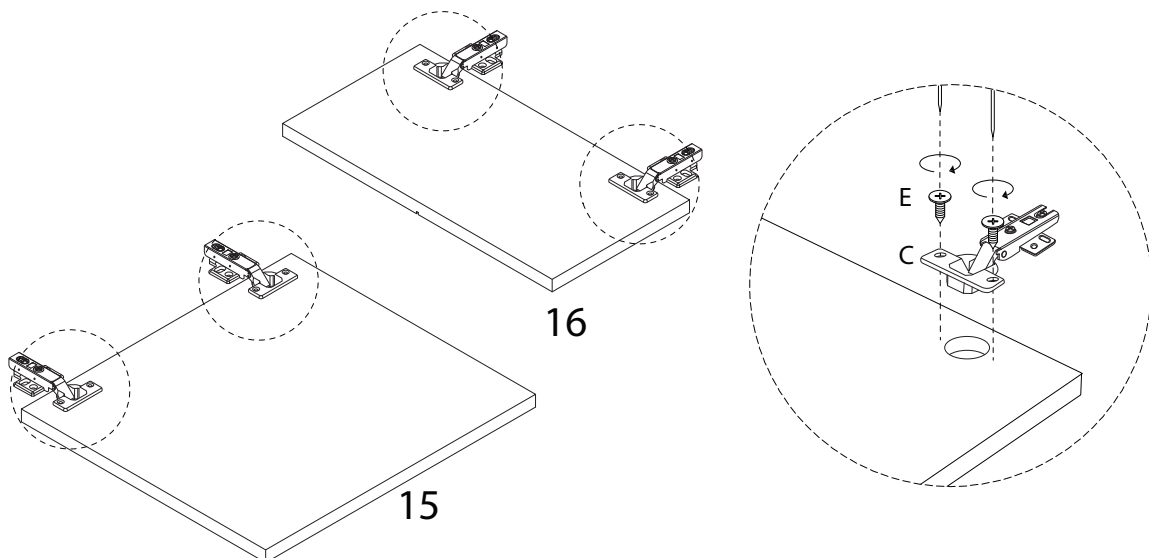


x 4

E

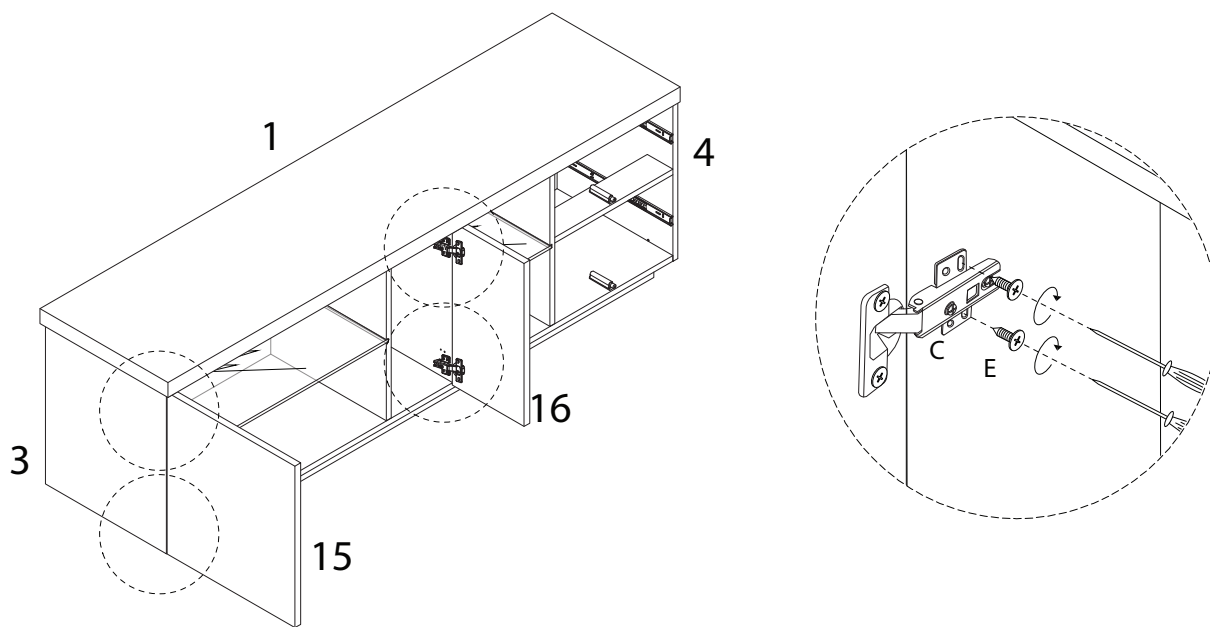


x 8

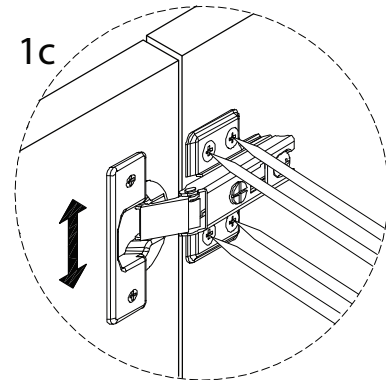
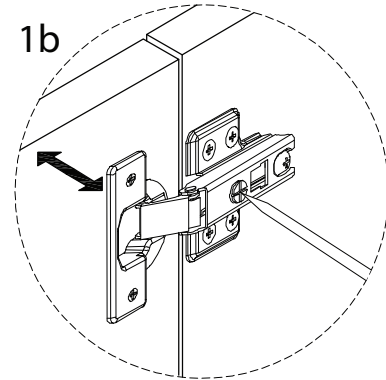
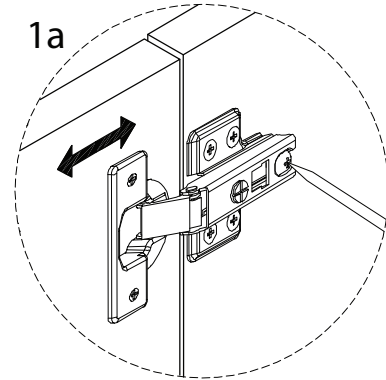
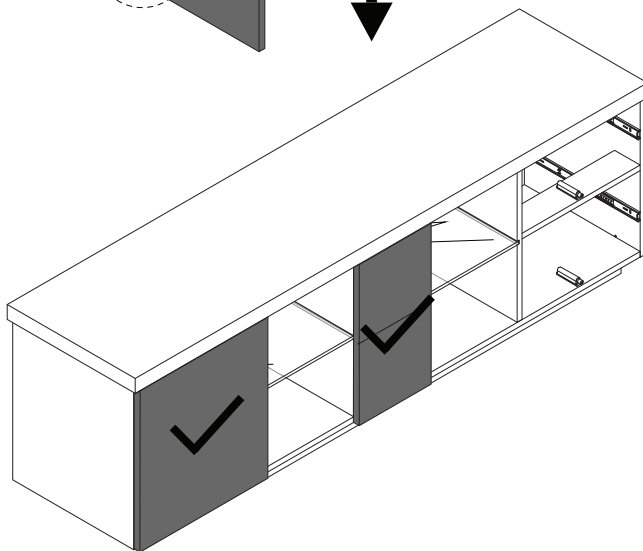
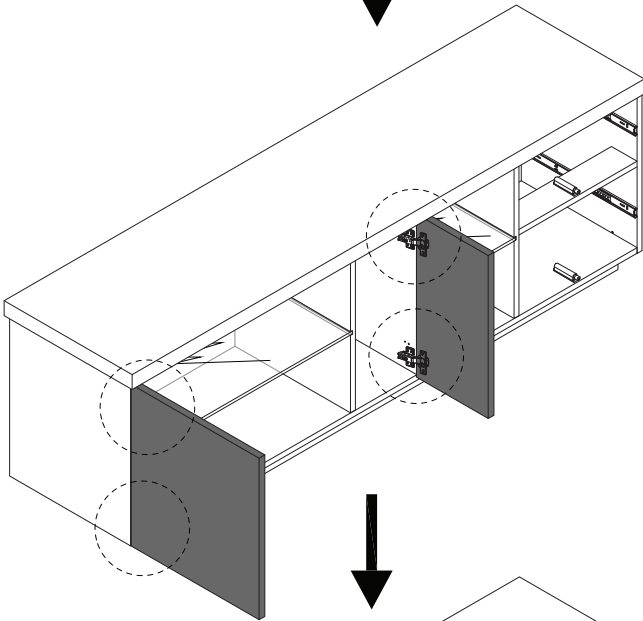
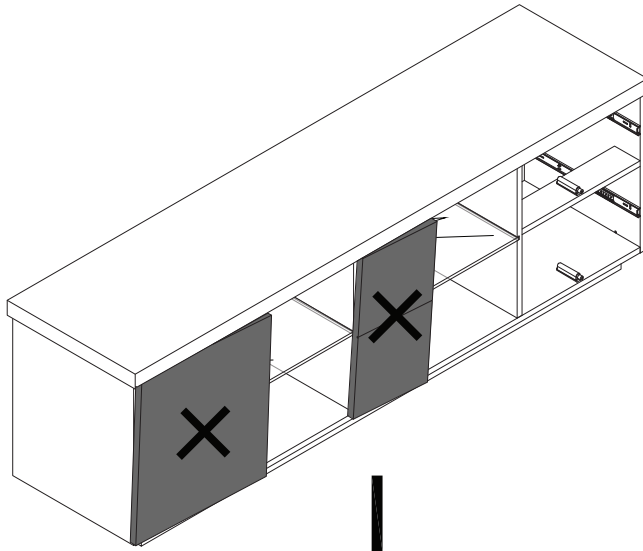


26

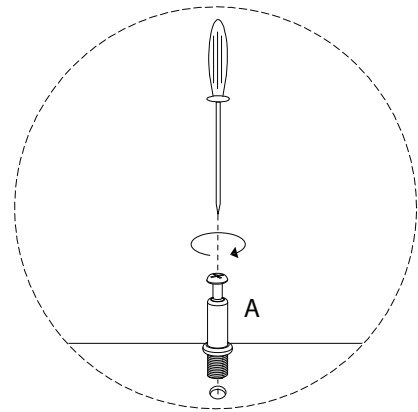
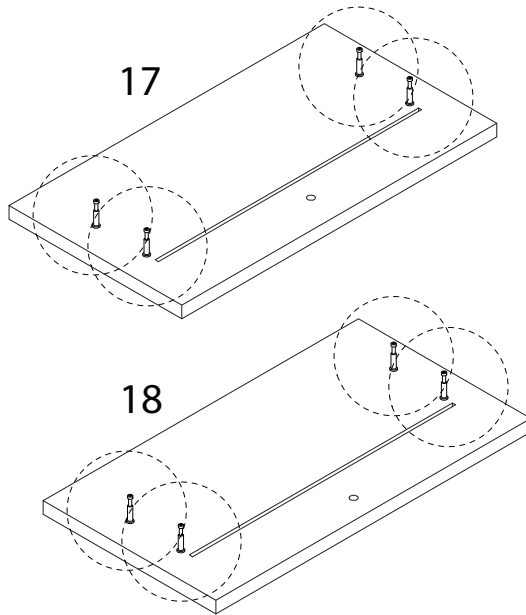
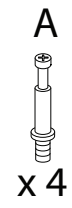
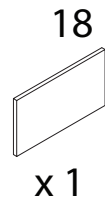
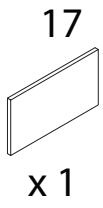
E
M4
x
15
x 16



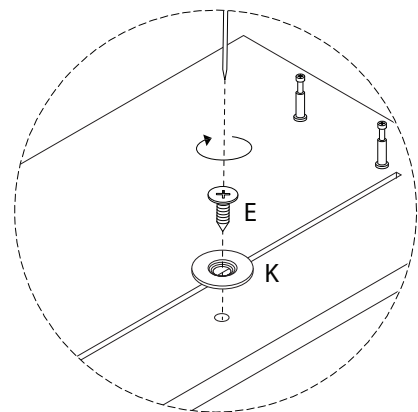
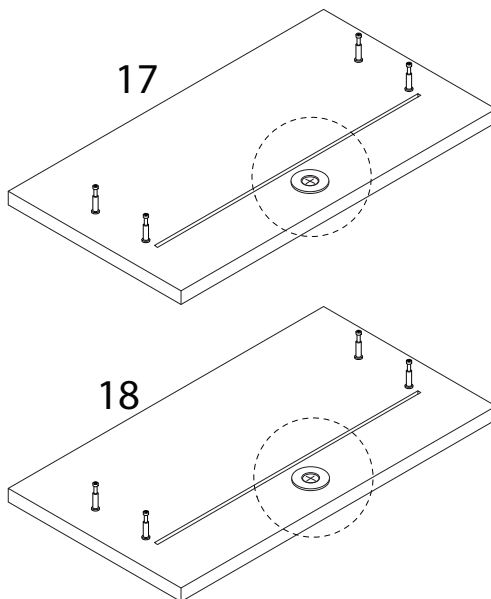
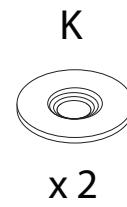
27



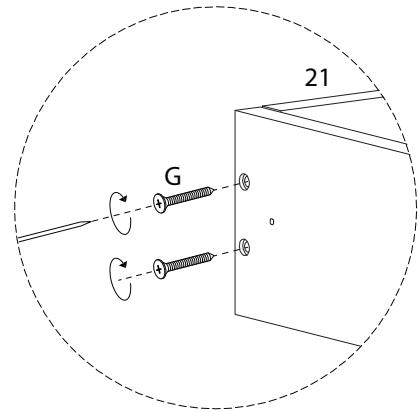
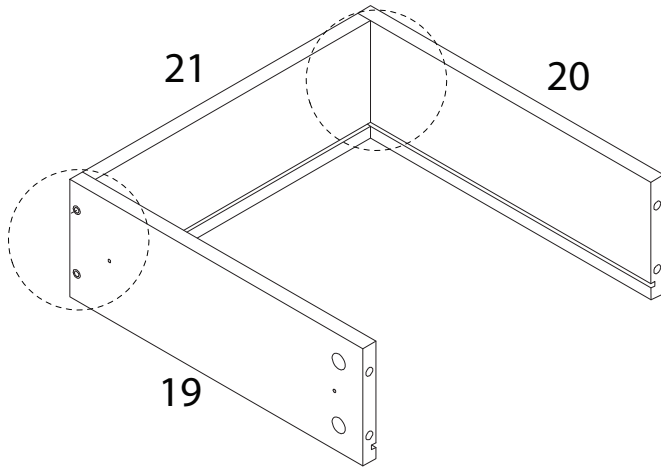
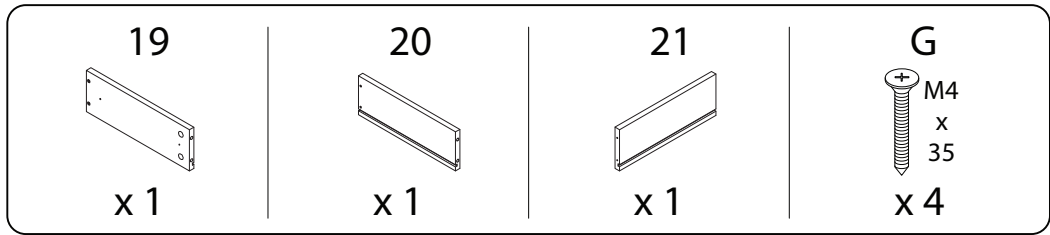
28



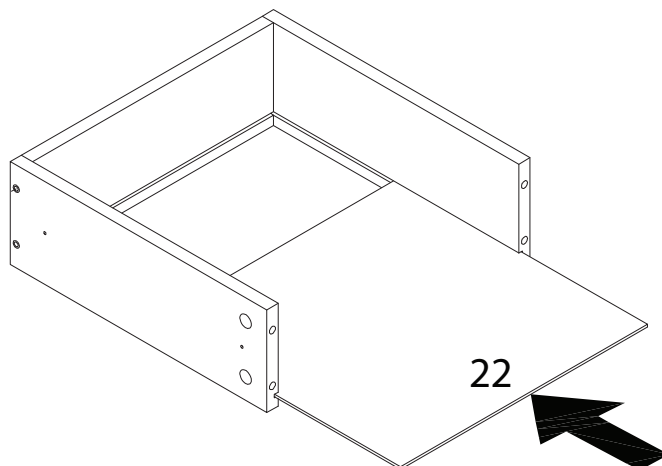
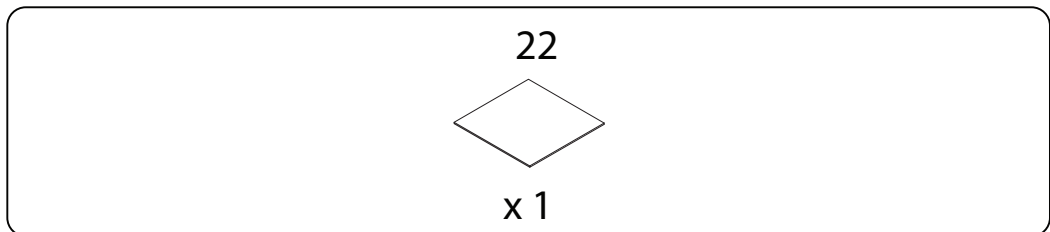
29



30 x 2



31 x 2



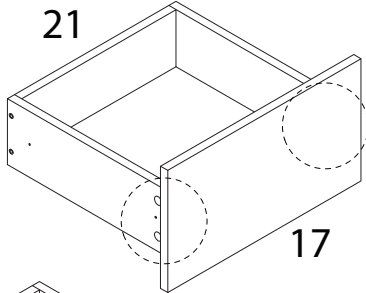
32

B



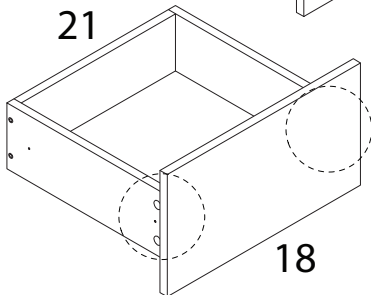
x 8

21



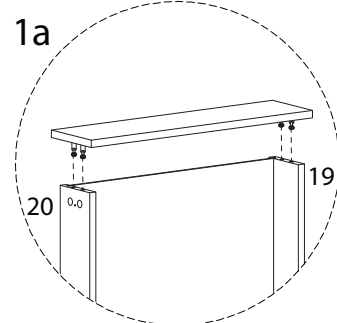
17

21

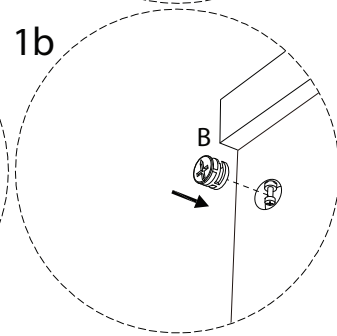


18

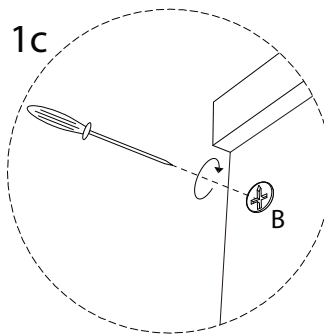
1a



1b



1c



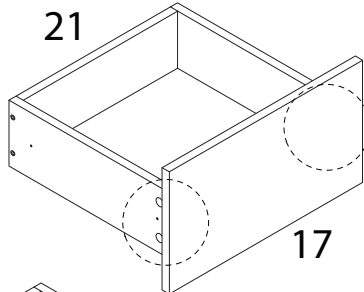
33

N



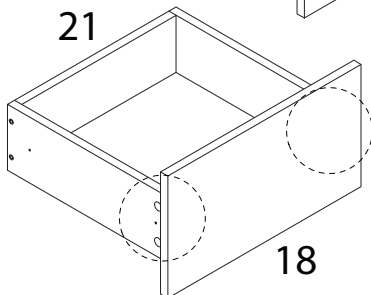
x 8

21



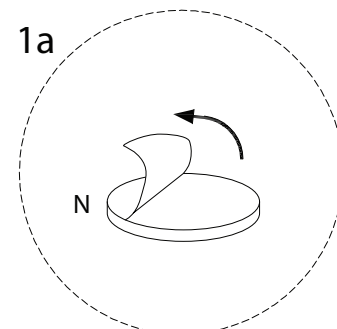
17

21

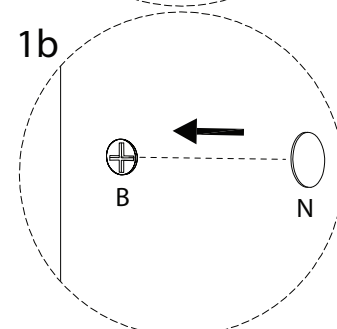


18

1a



1b



34

E

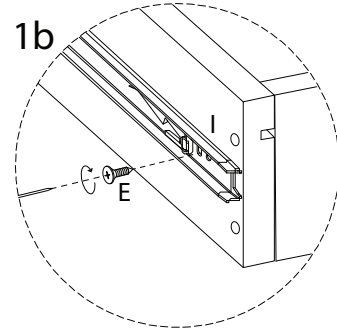
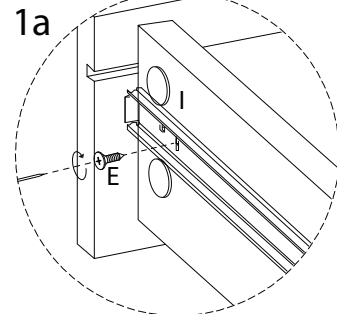
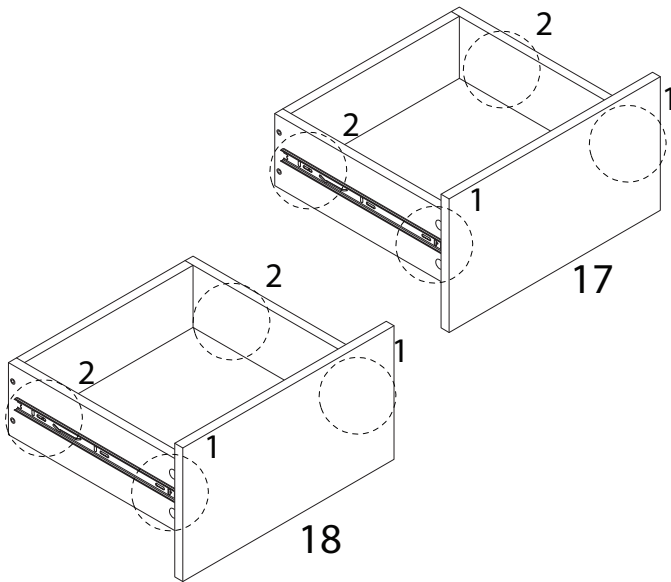


x 8

I



x 4



35

