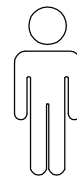
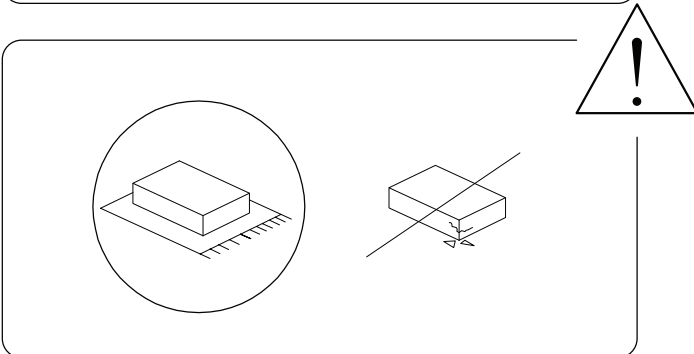
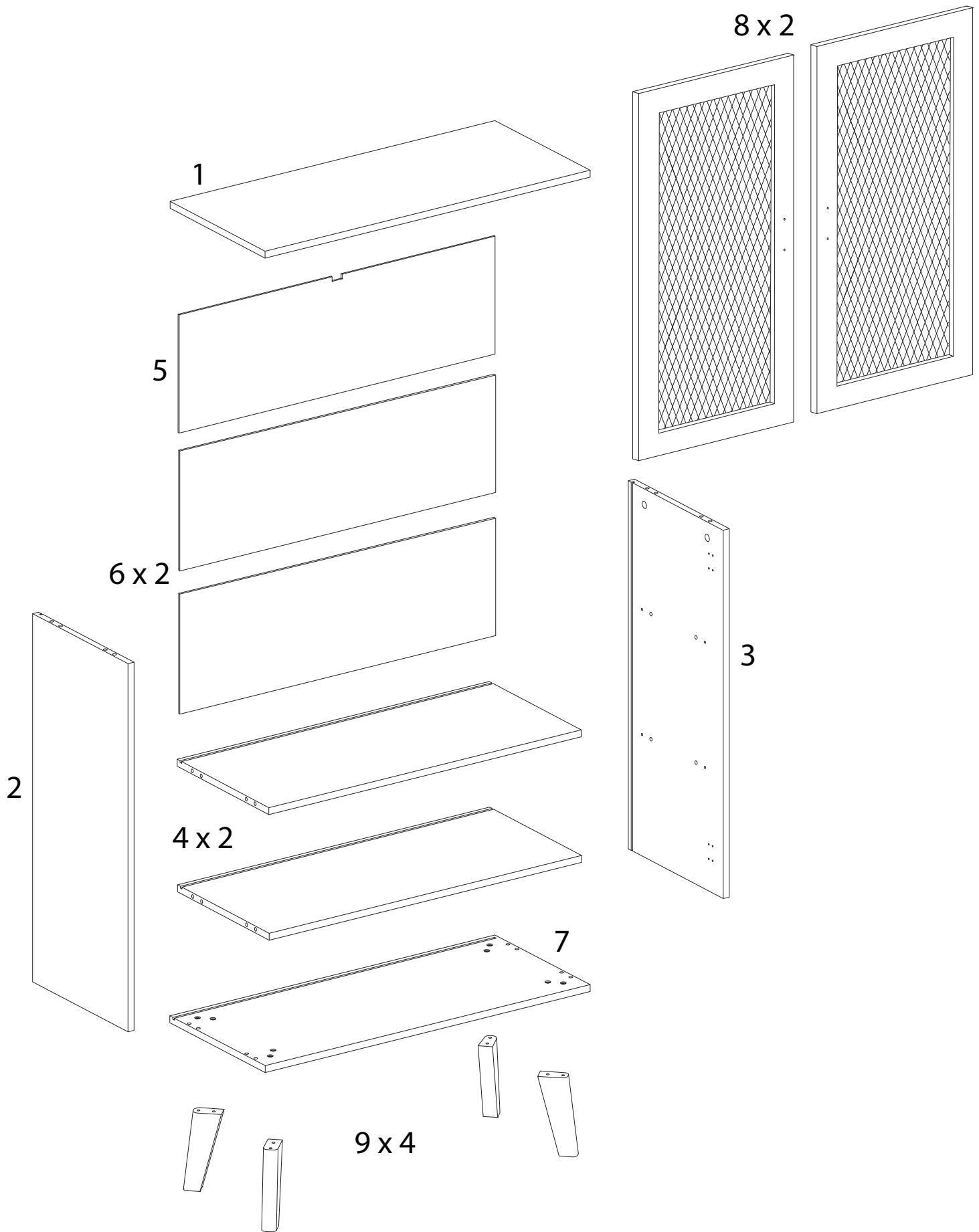


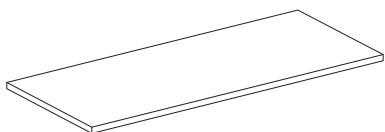
30'



2



1



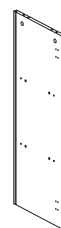
x 1

2



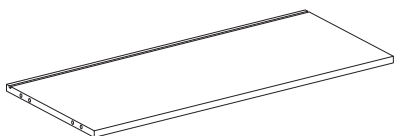
x 1

3



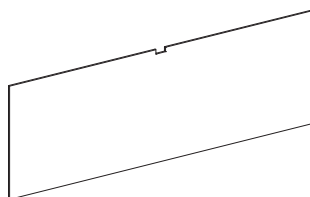
x 1

4



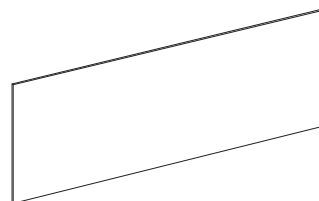
x 2

5



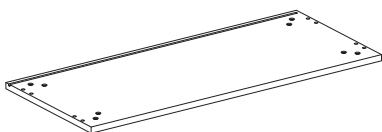
x 1

6



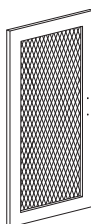
x 2

7



x 1

8



x 2

9



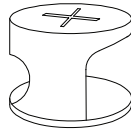
x 4

A



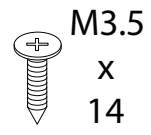
x 12

B



x 12

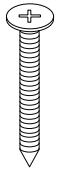
C



M3.5
x
14

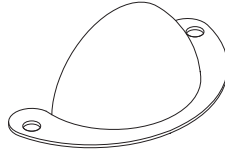
x 43

D



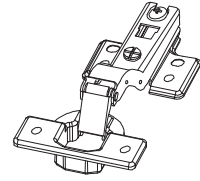
x 1

E



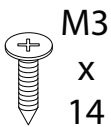
x 2

F



x 4

G



M3
x
14

x 4

H



M6
x
25

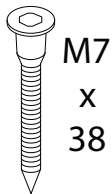
x 8

I



x 1

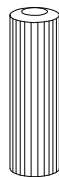
J



M7
x
38

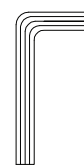
x 4

K



x 16

L



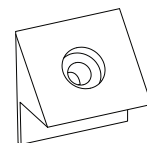
x 1

M



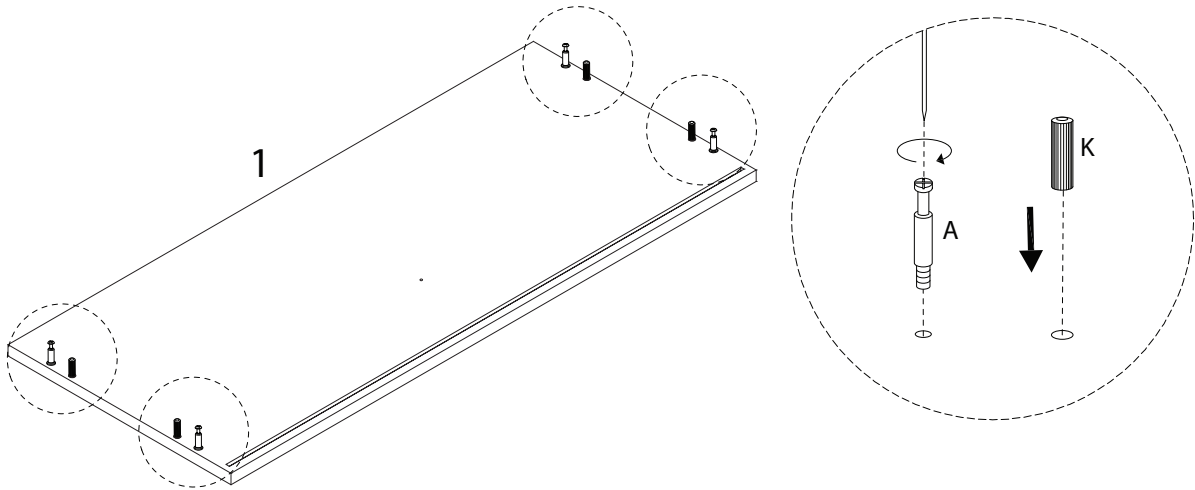
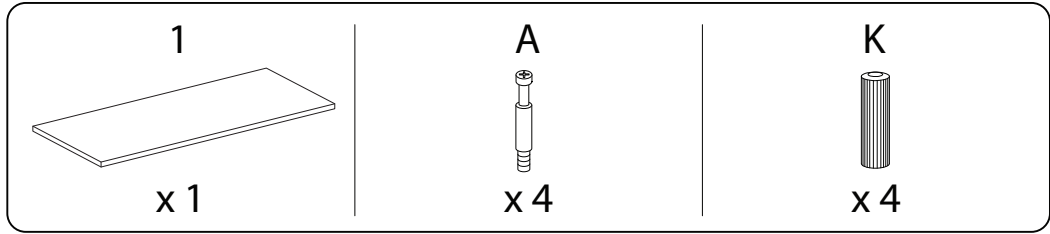
x 1

N

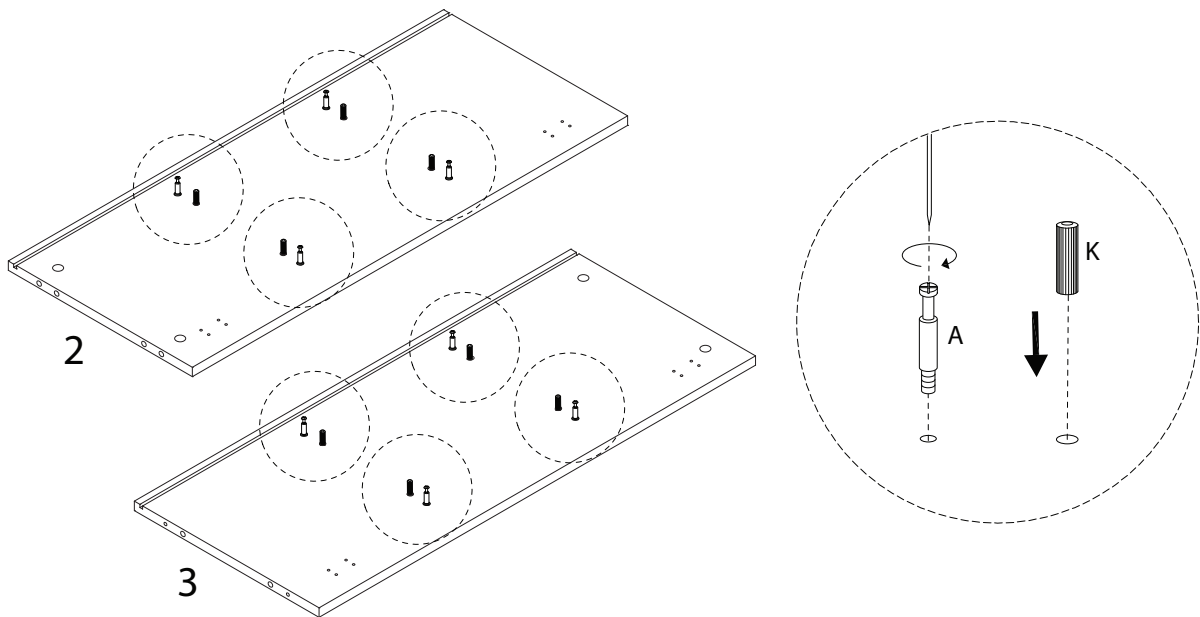
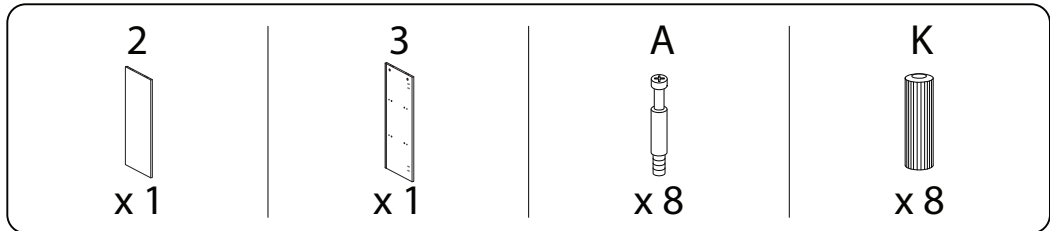


x 18

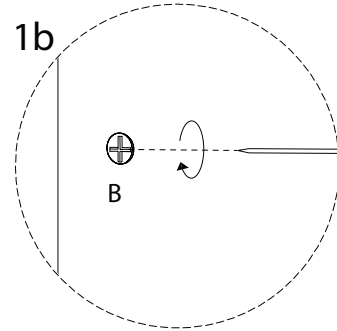
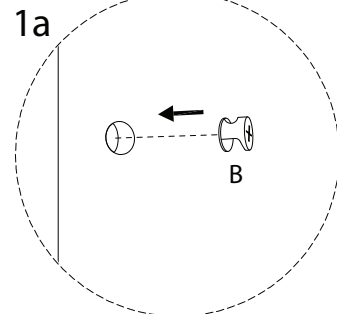
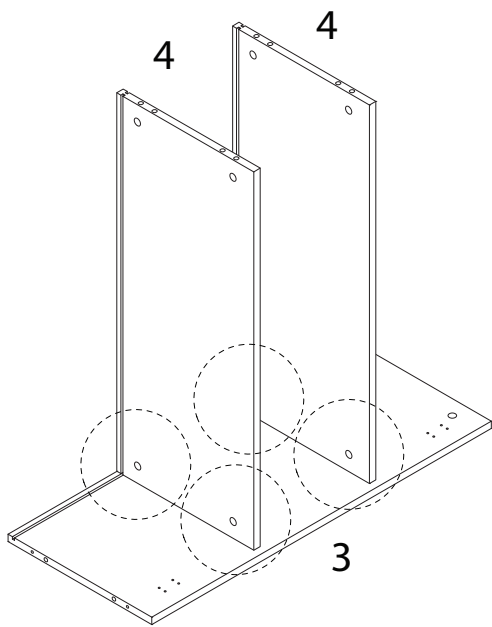
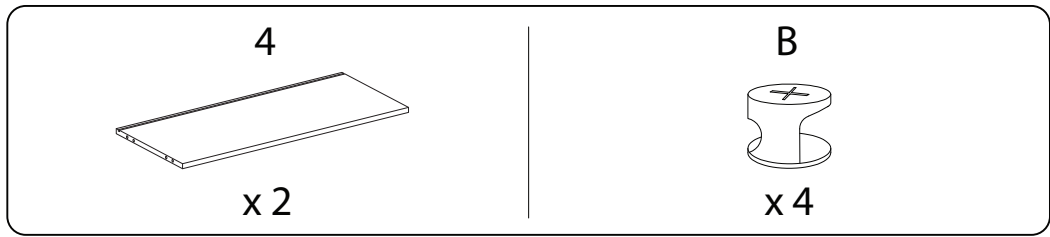
1



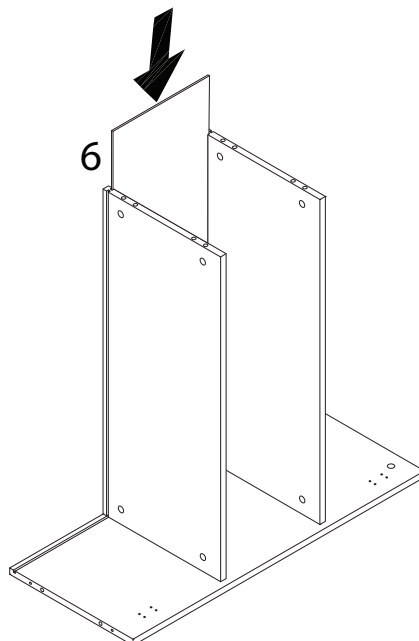
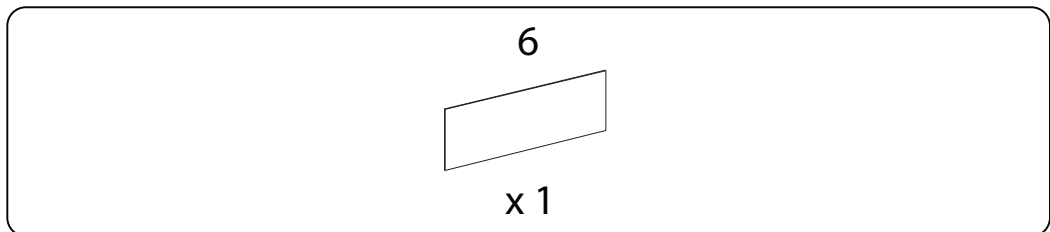
2



3



4

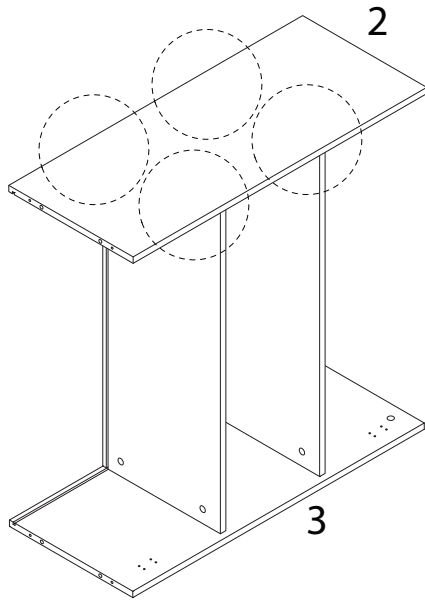


5

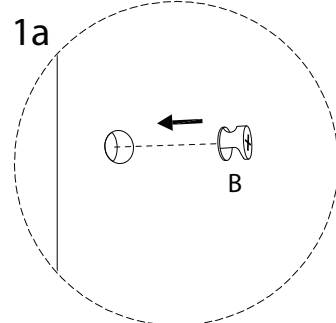
B



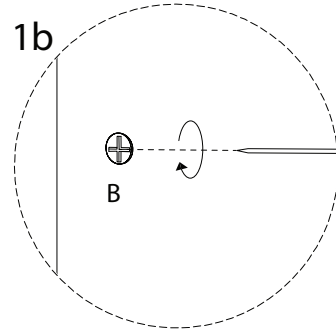
x 4



1a

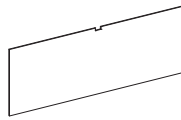


1b

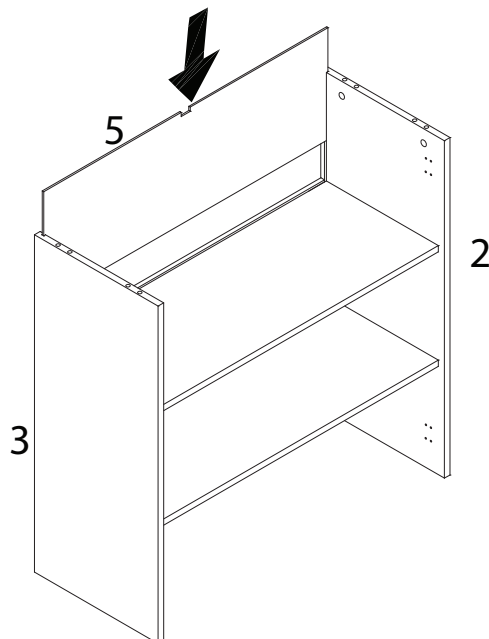


6

5



x 1

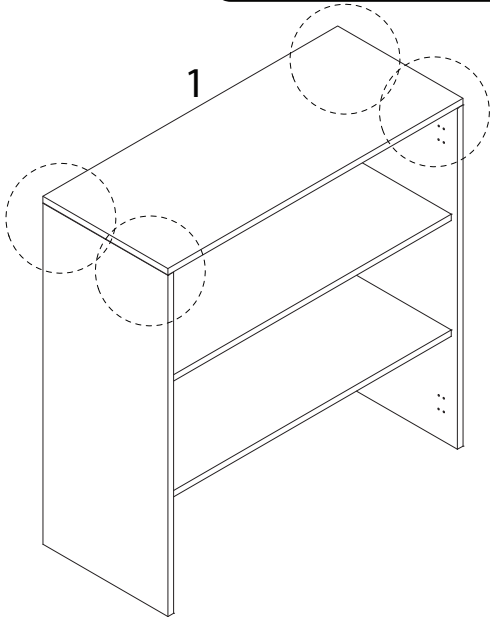


7

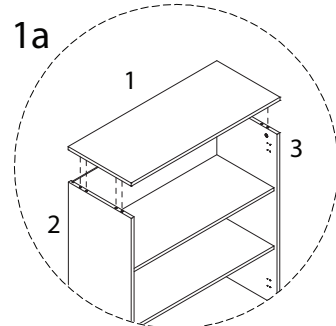
B



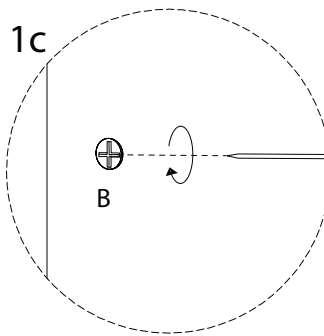
x4



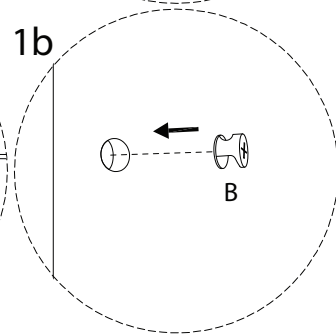
1a



1c

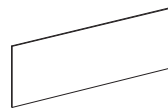


1b

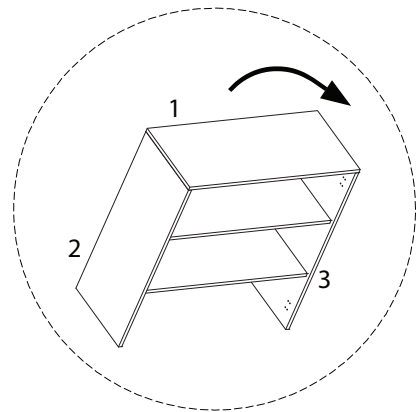
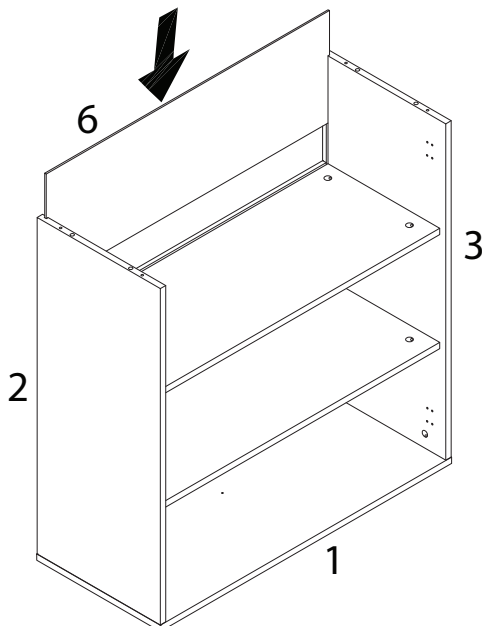


8




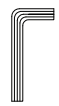
6

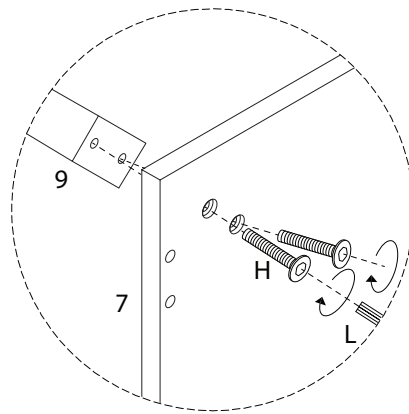
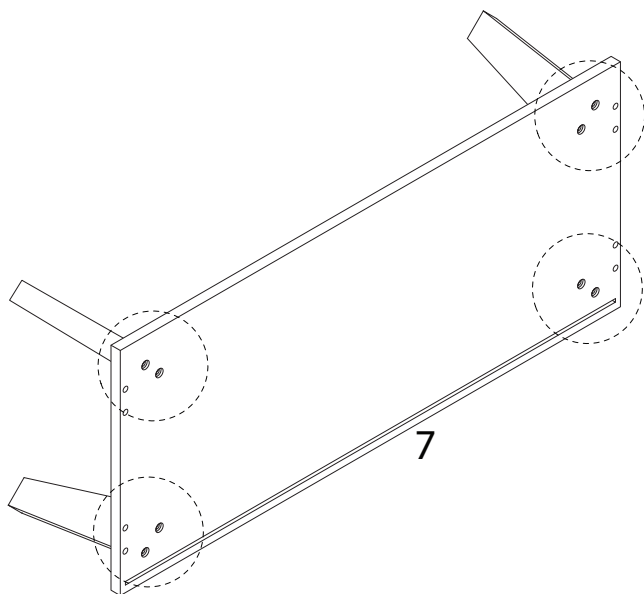


x1

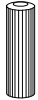


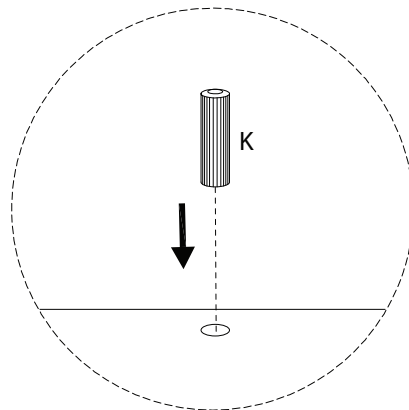
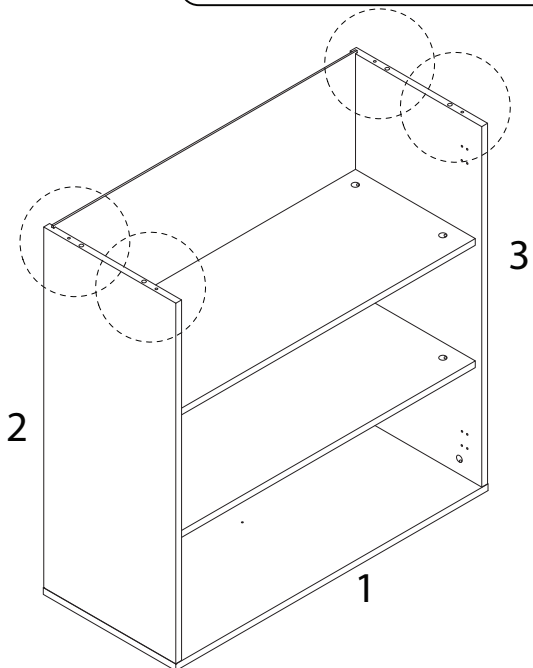
9

<p>7</p>  <p>x 1</p>	<p>9</p>  <p>x 4</p>	<p>H</p>  <p>M6 x 25</p> <p>x 8</p>	<p>L</p>  <p>x 1</p>
---	---	---	---

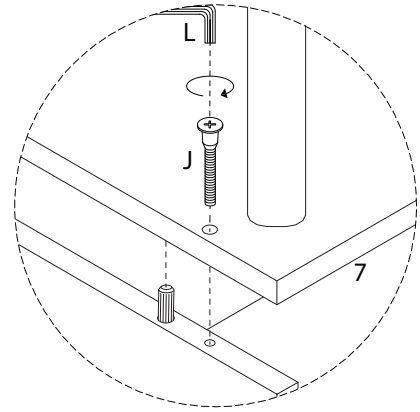
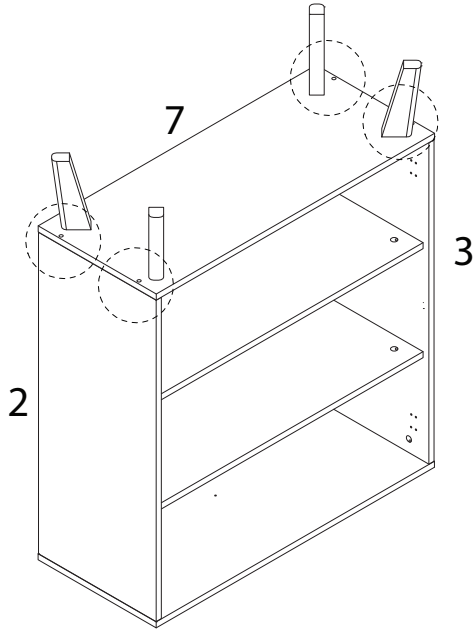
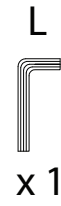
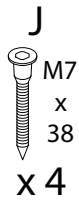


10

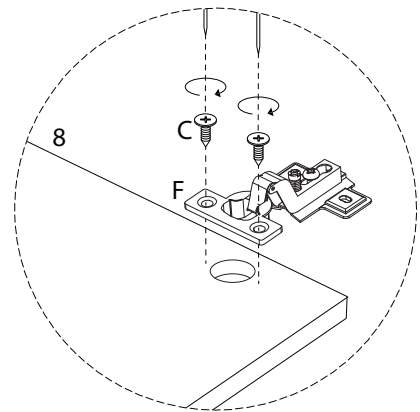
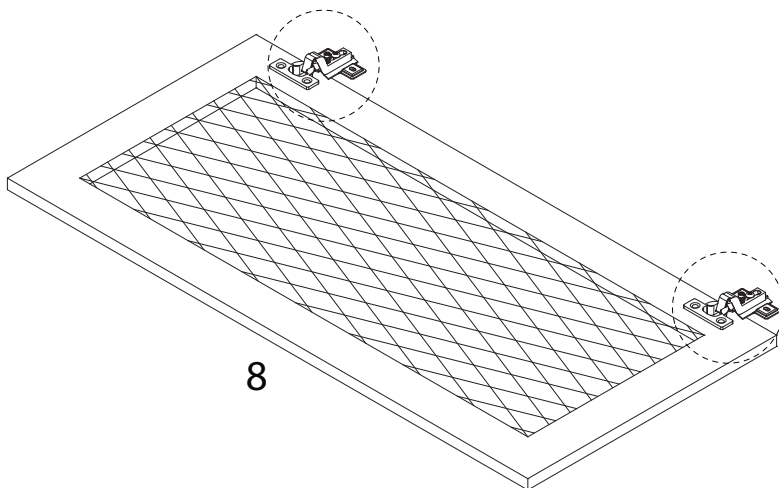
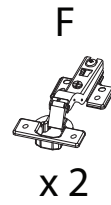
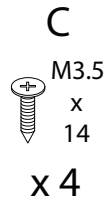
<p>K</p>  <p>x 4</p>



11

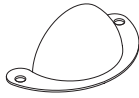


12 x 2



13 x 2

E

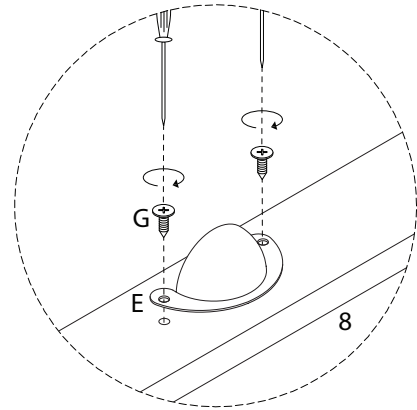
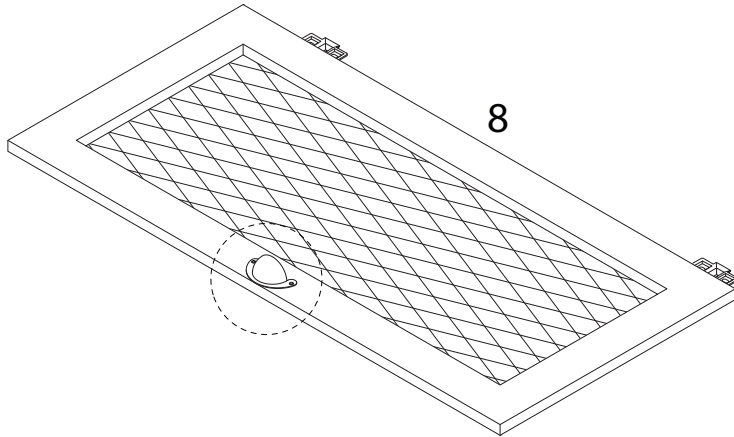


x 1

G

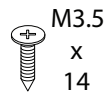


x 2

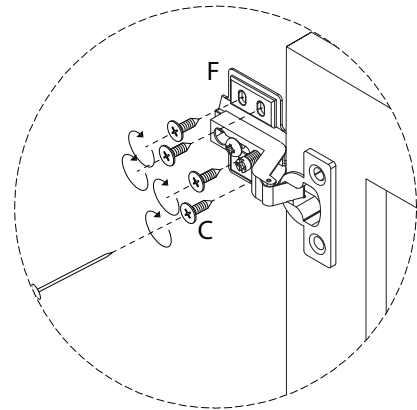
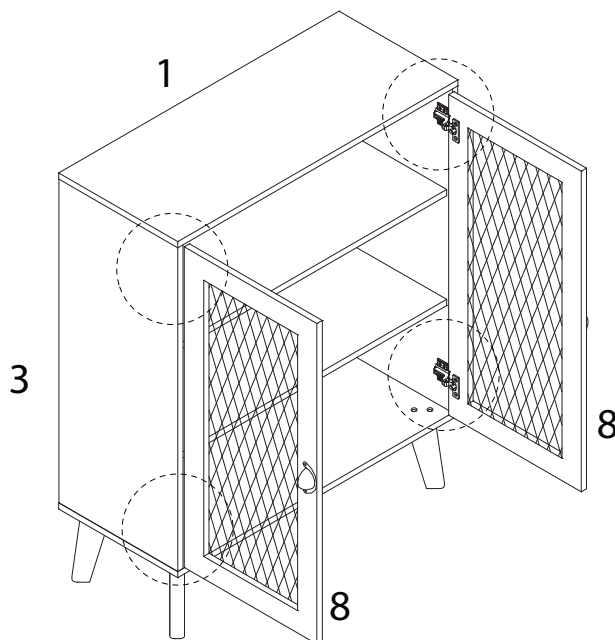


14

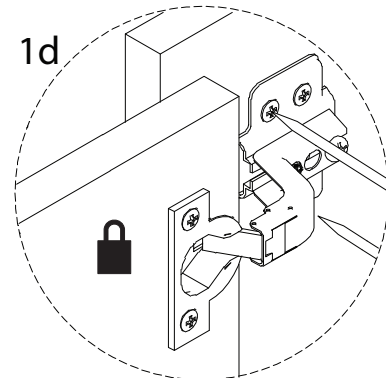
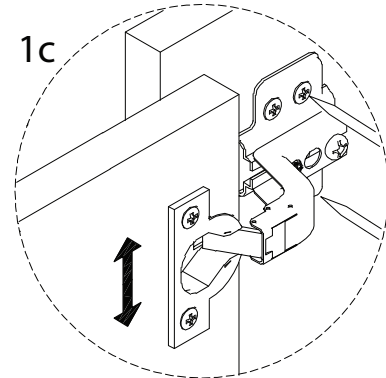
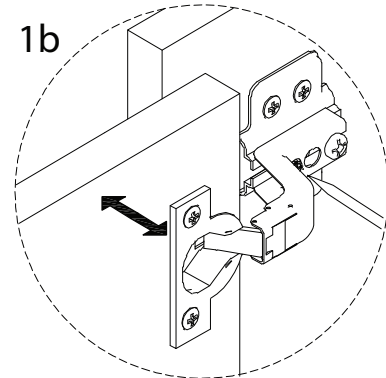
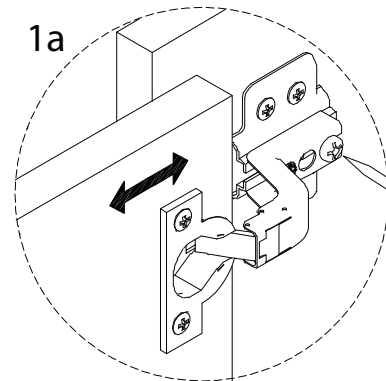
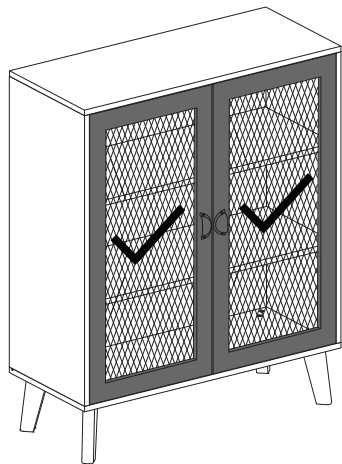
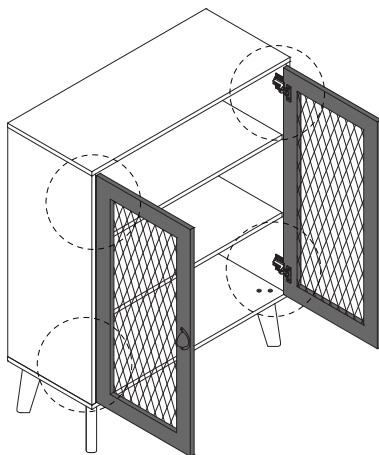
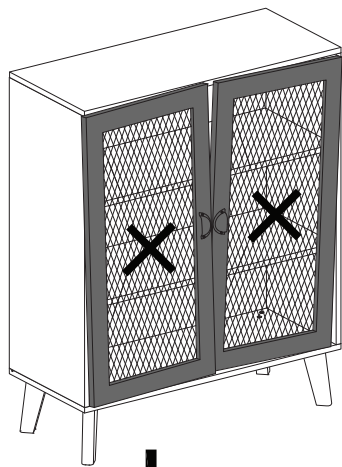
C



x 16

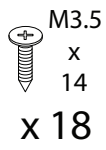


15



16

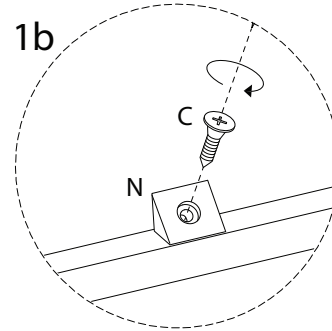
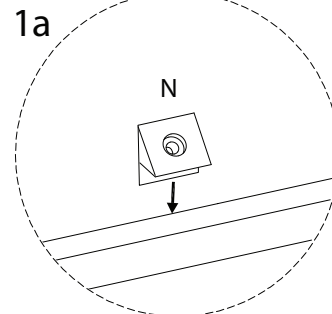
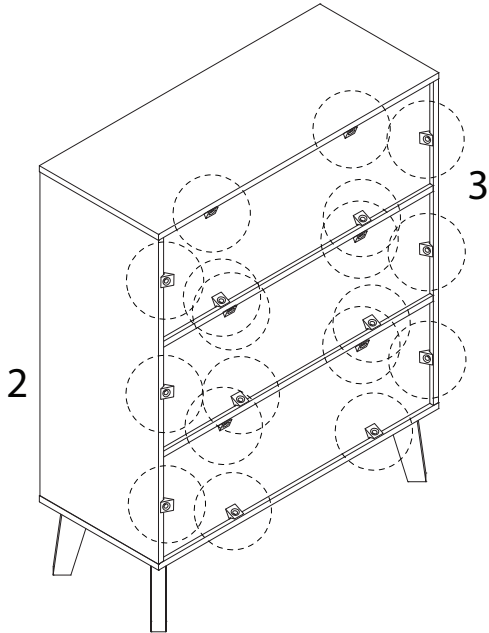
C



N

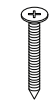


x 18



17

D



x 1

I

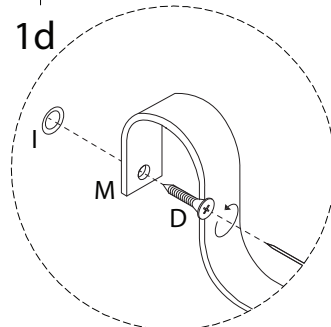
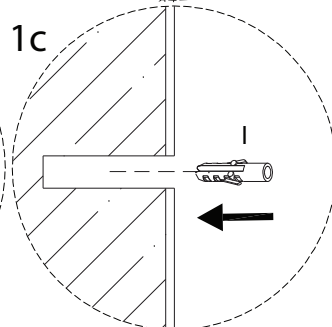
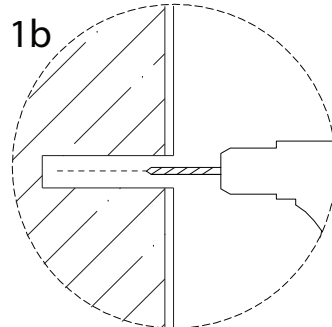
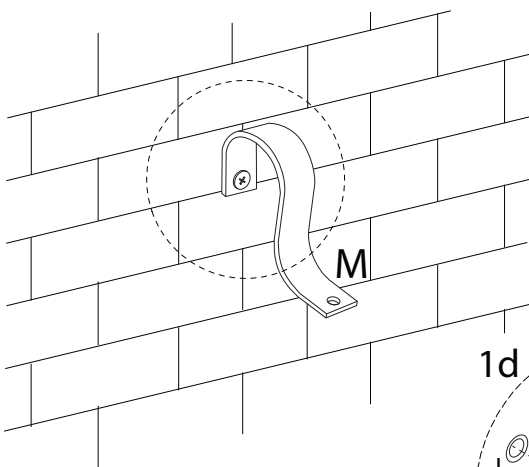


x 1

M

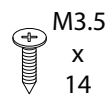


x 1



18

C



x 1

