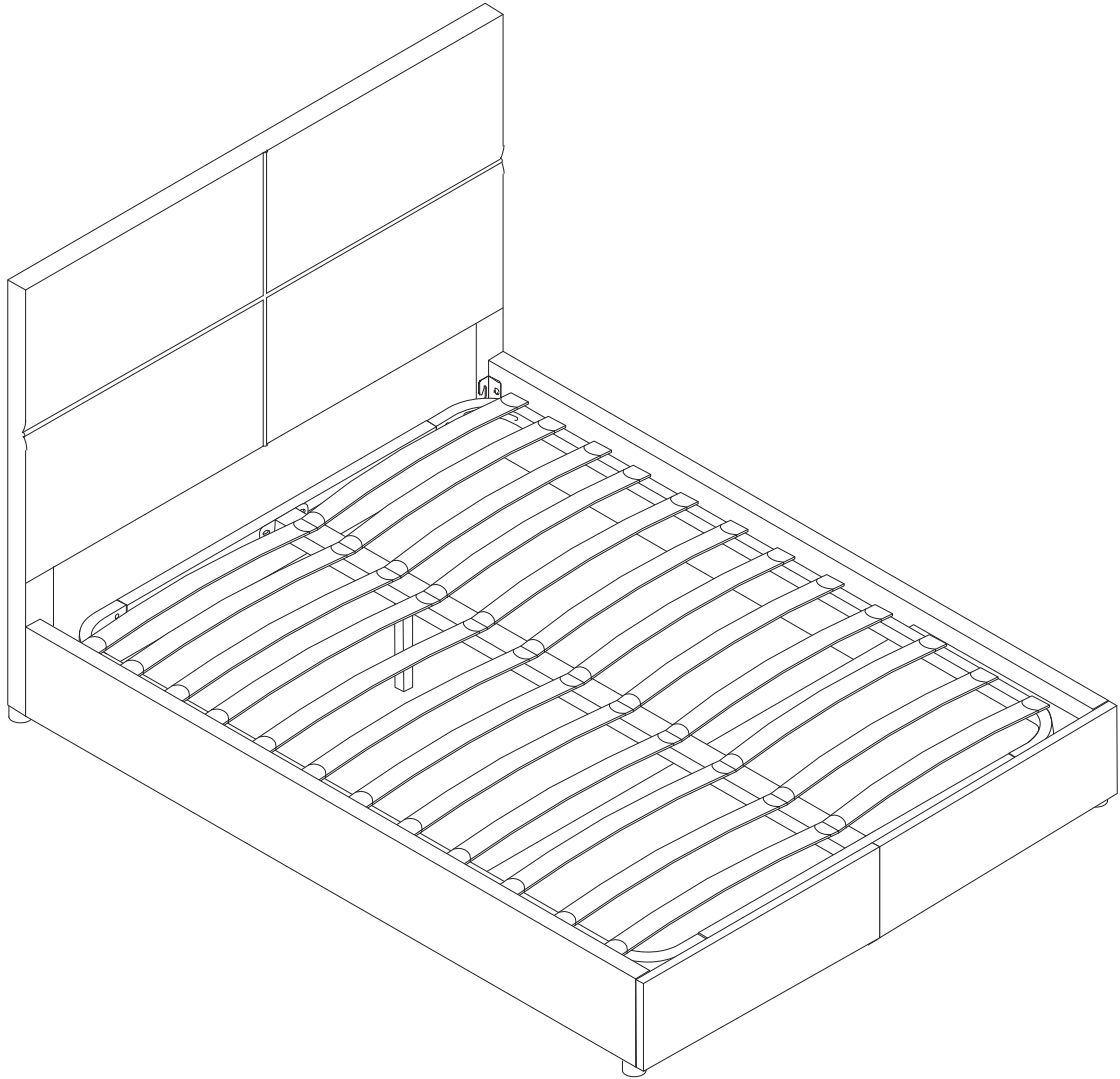
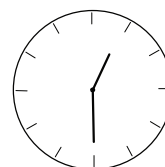
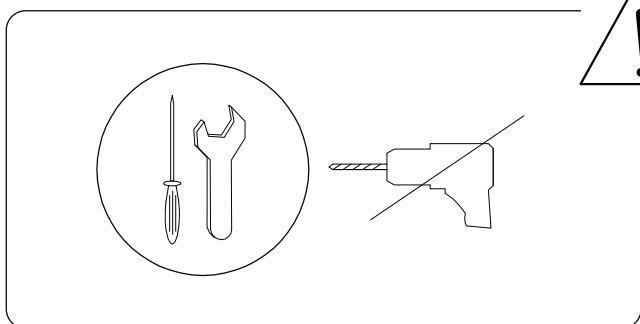
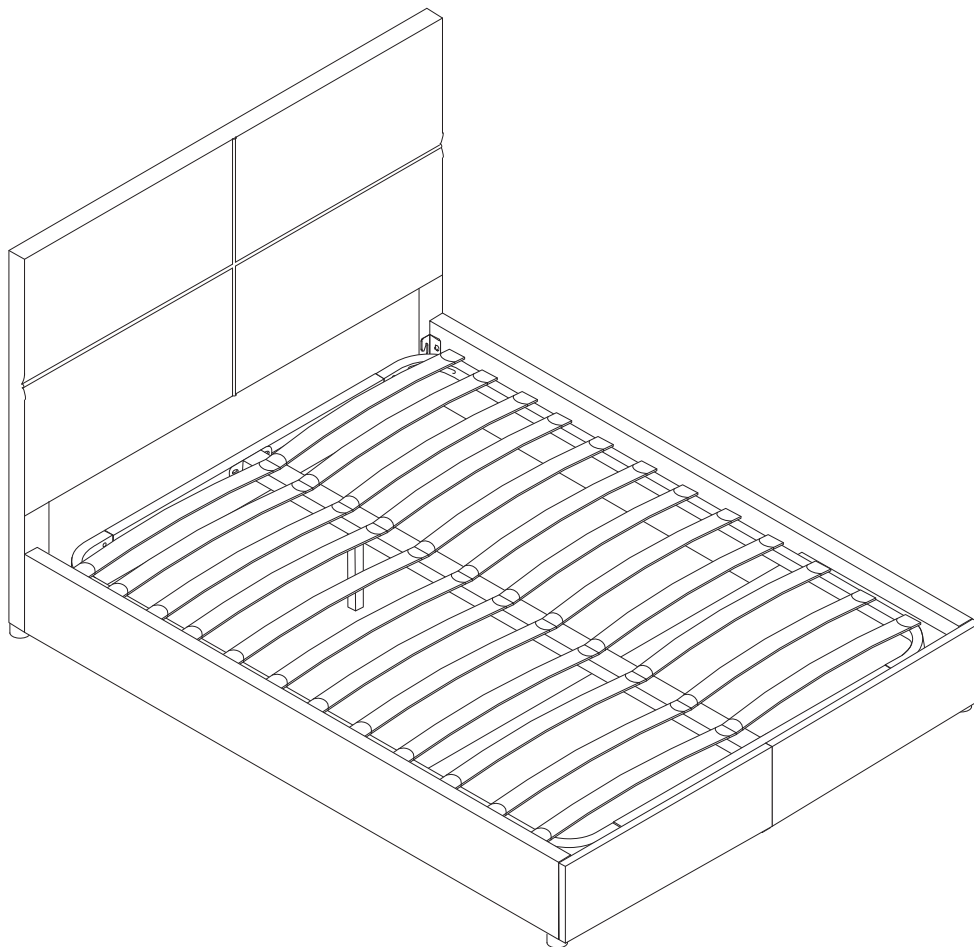
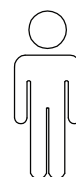
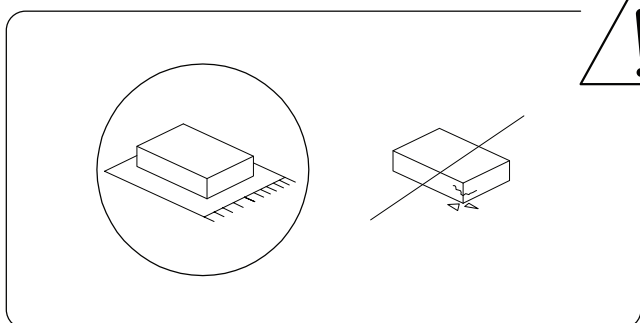


VERNOYES

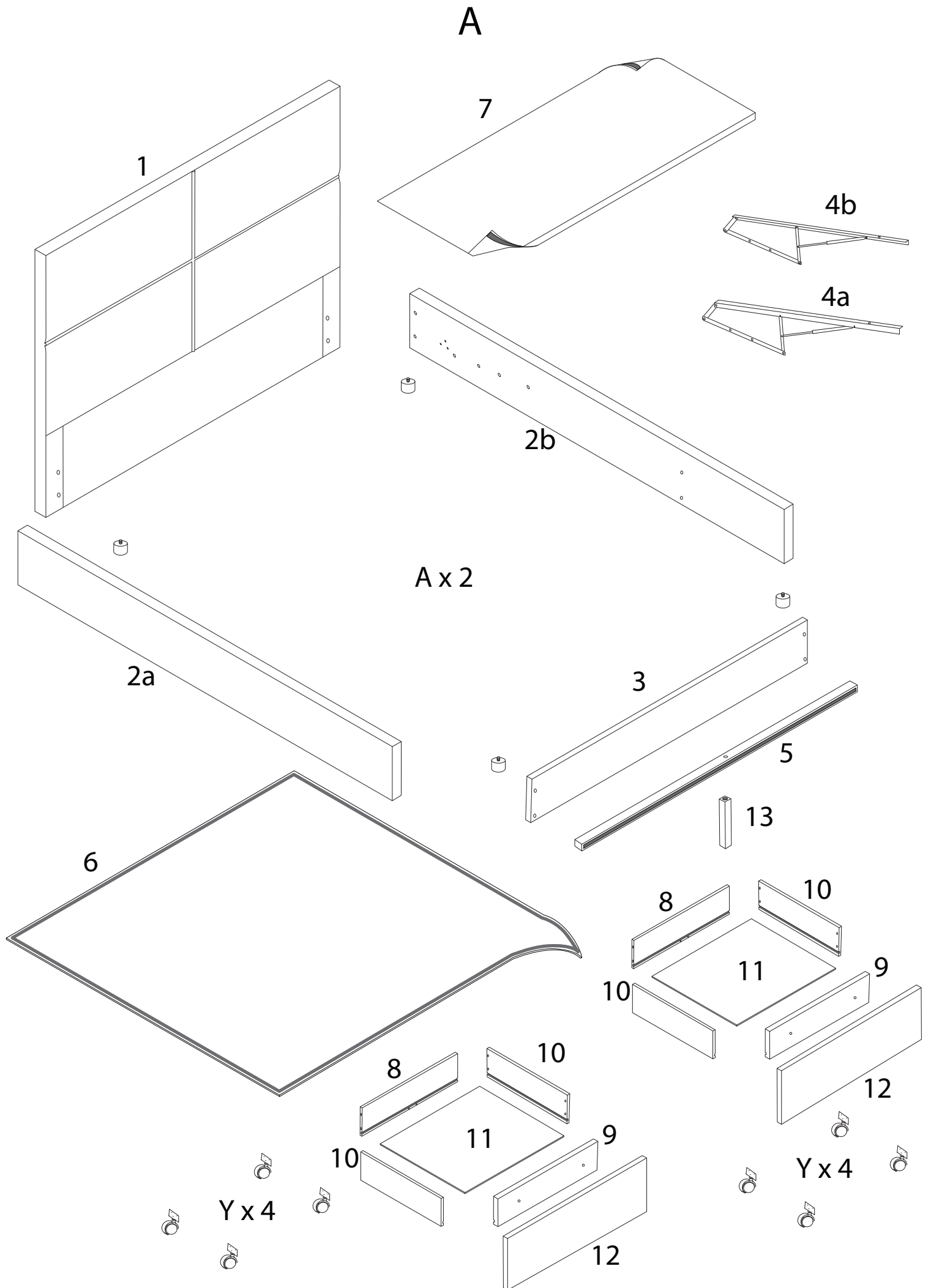




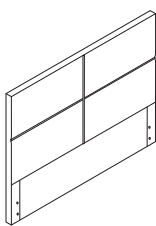
90'



2

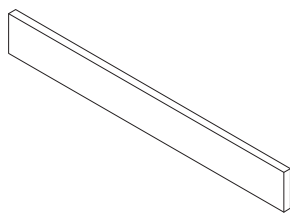


1



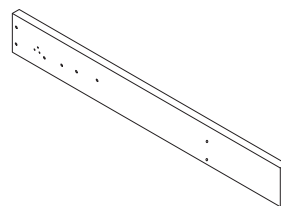
x 1

2a



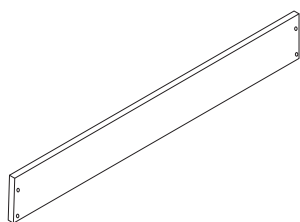
x 1

2b



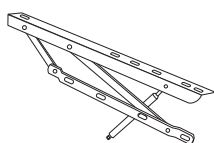
x 1

3



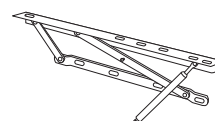
x 1

4a



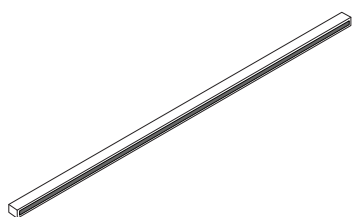
x 1

4b



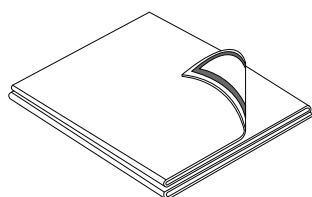
x 1

5



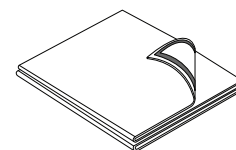
x 1

6



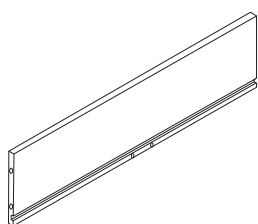
x 1

7



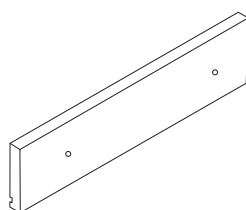
x 1

8



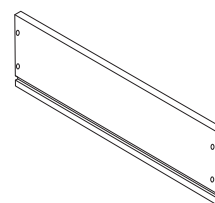
x 2

9



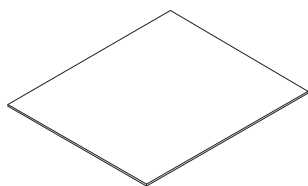
x 2

10



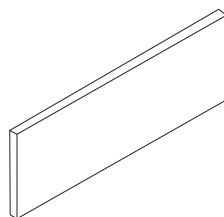
x 4

11



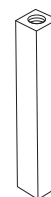
x 2

12



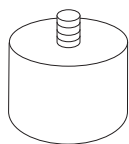
x 2

13



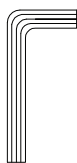
x 1

A



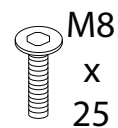
x 4

B



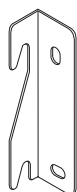
x 1

C



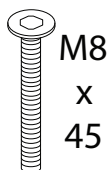
x 22

D



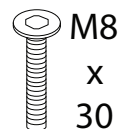
x 4

E



x 1

F



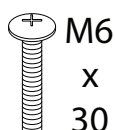
x 4

G



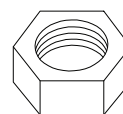
x 6

H



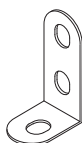
x 8

I



x 2

J



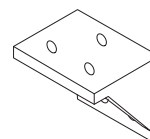
x 2

Q



x 1

U



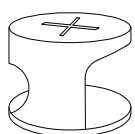
x 2

V



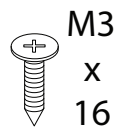
x 16

W



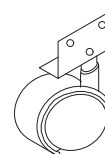
x 16

X



x 24

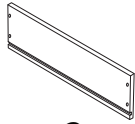
Y



x 8

1 x 2

10

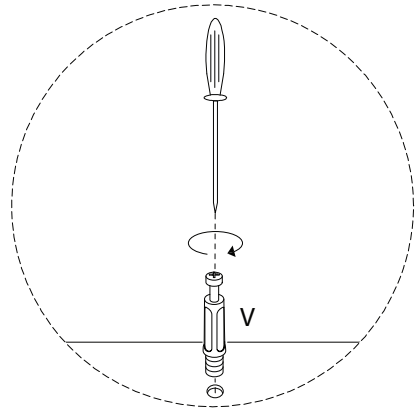
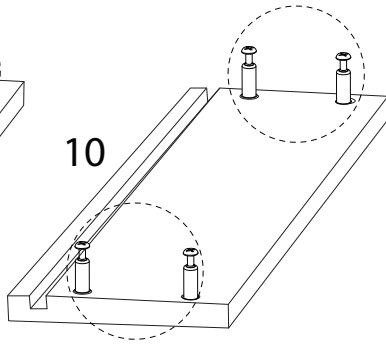
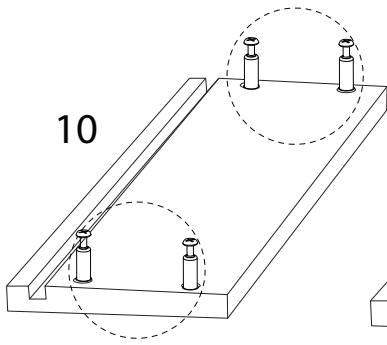


x 2

V



x 8

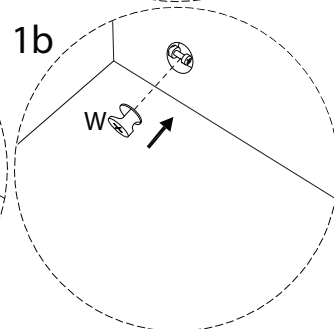
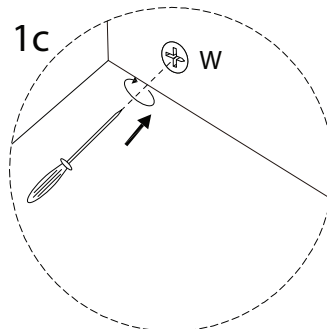
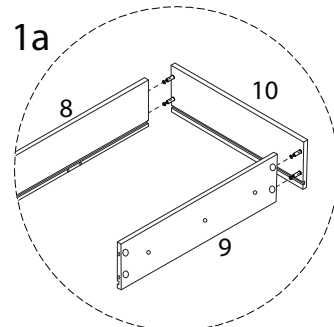
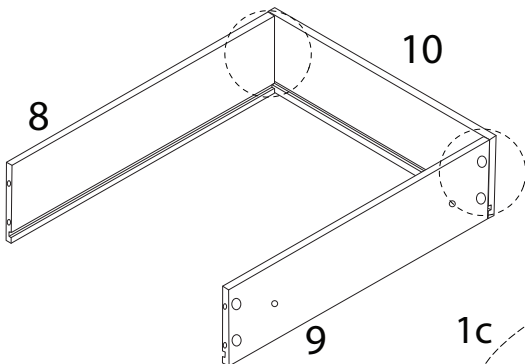


2 x 2

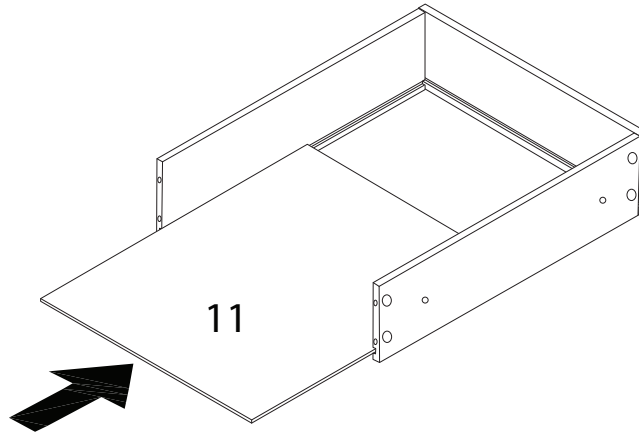
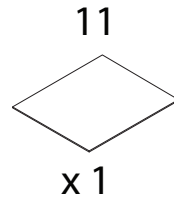
W



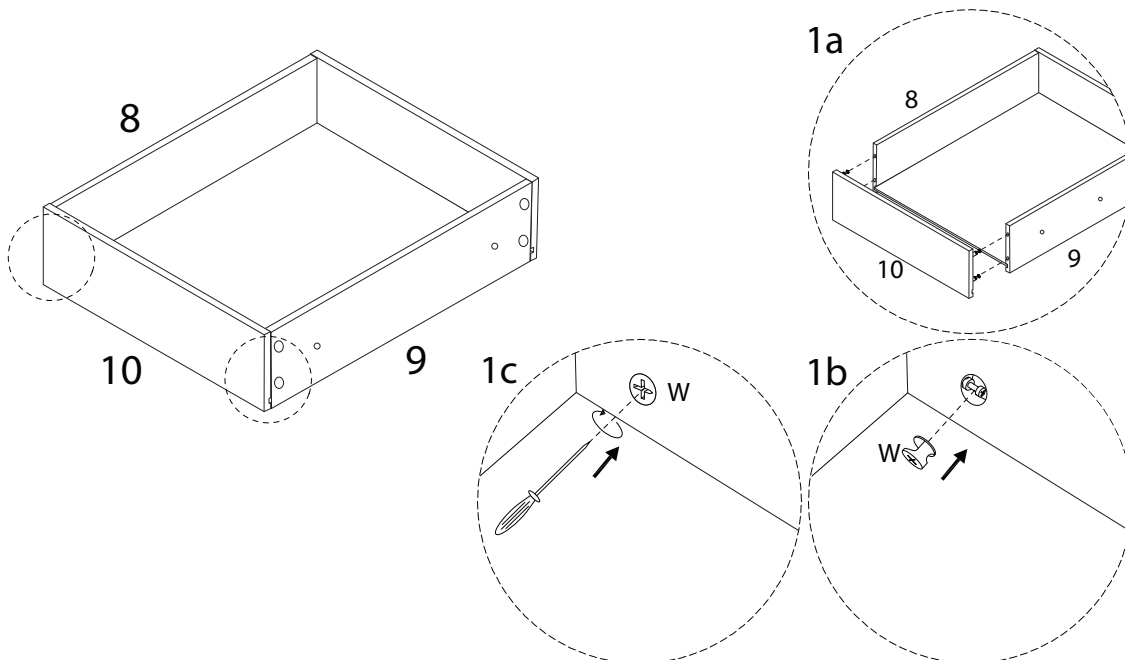
x 4



3 x 2

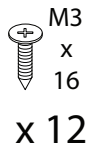


4 x 2

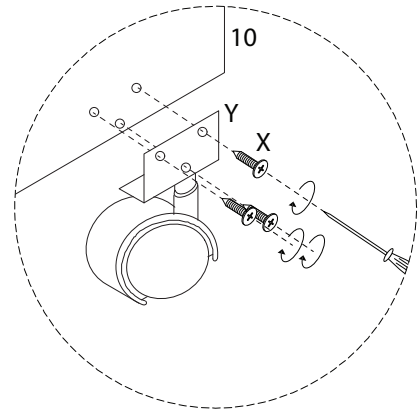
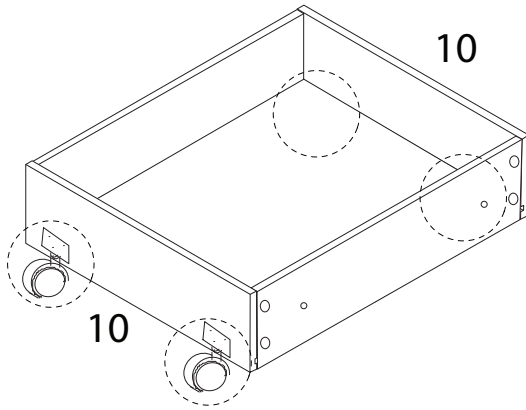


5 x 2

X

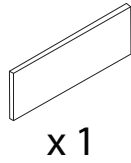


Y

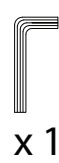


6 x 2

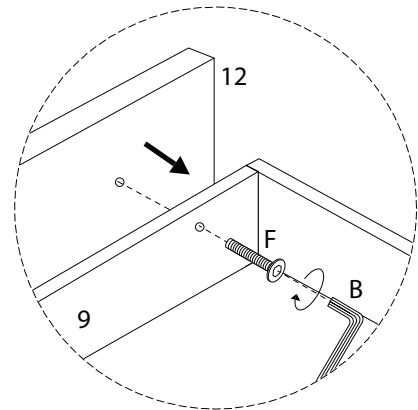
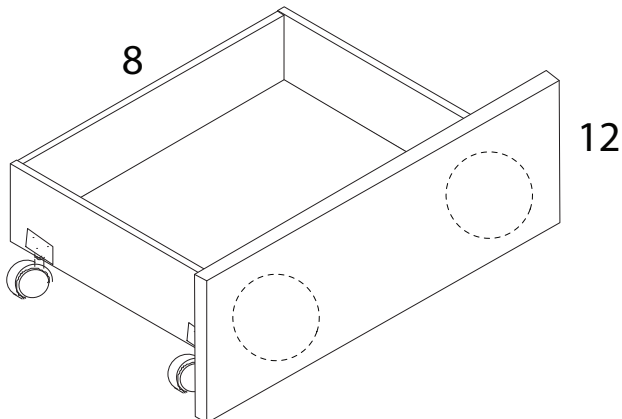
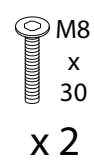
12



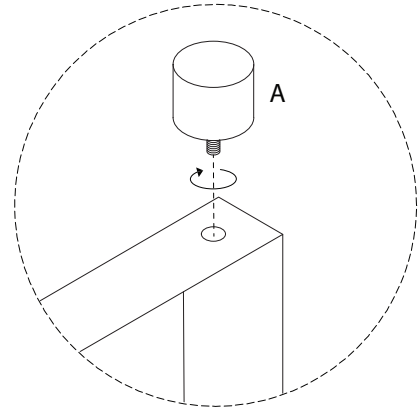
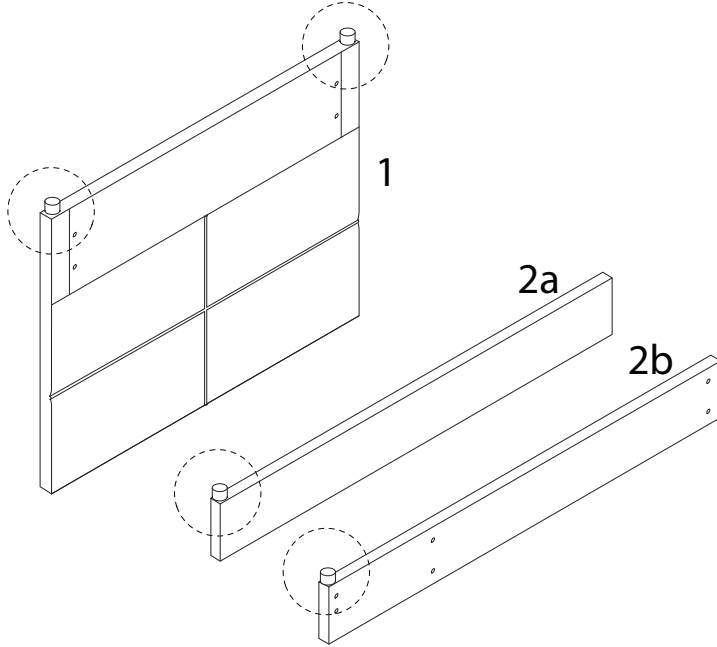
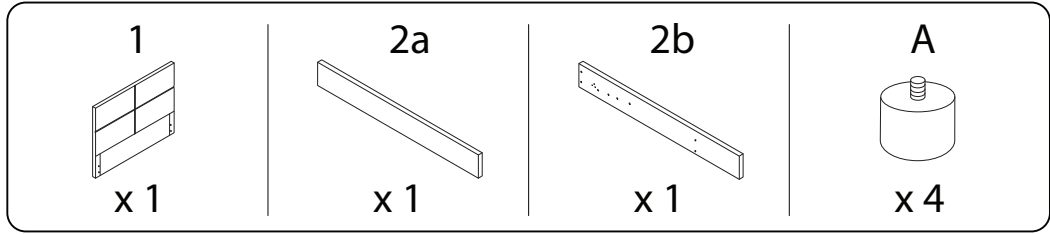
B



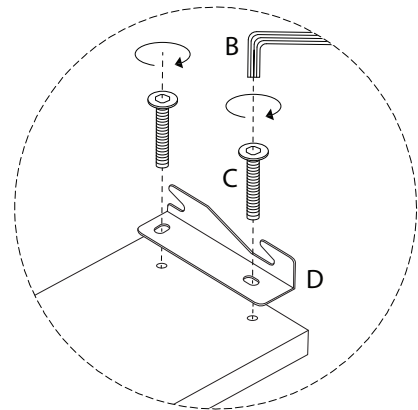
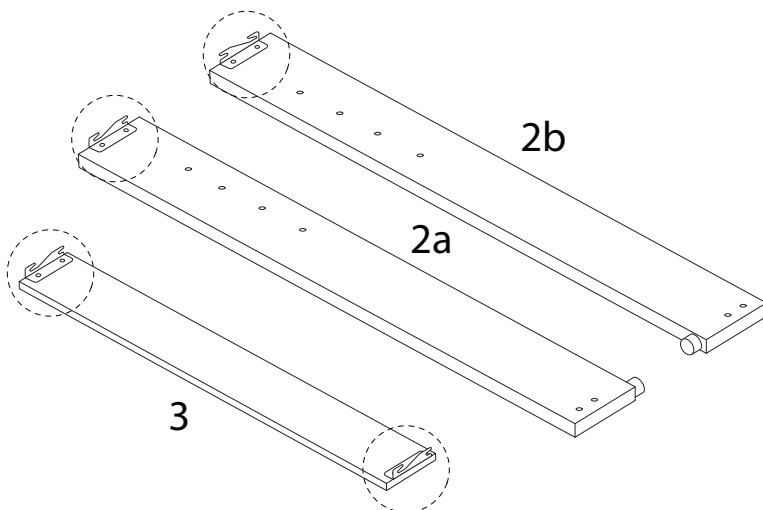
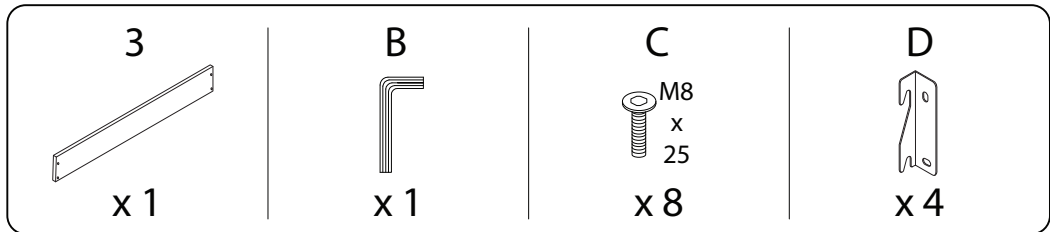
F



7

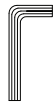


8



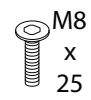
9

B

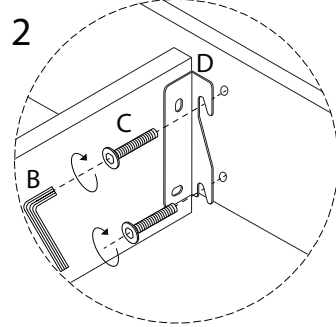
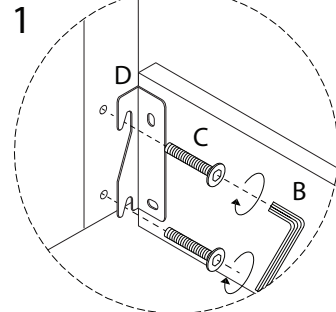
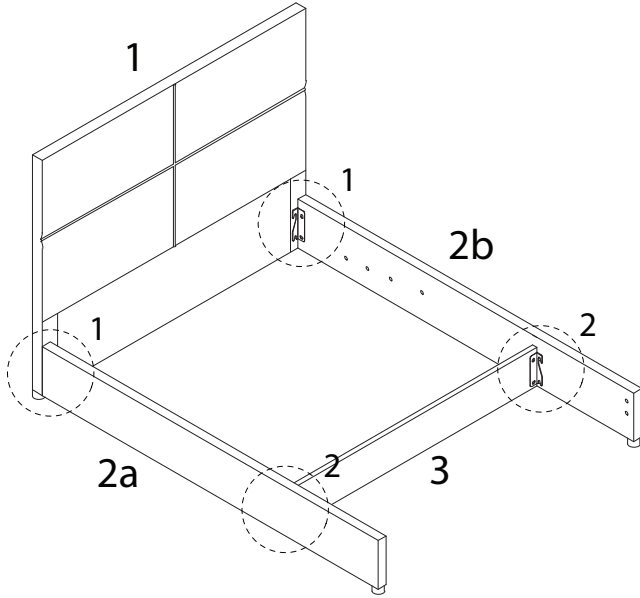


x 1

C



x 8



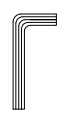
10

5



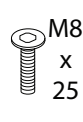
x 1

B



x 1

C

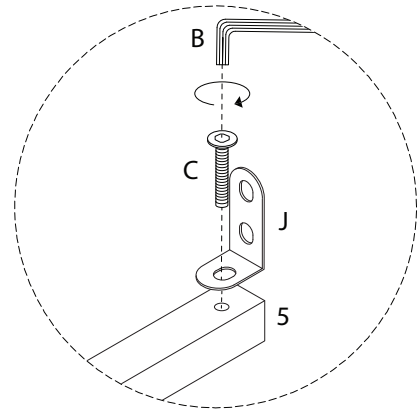
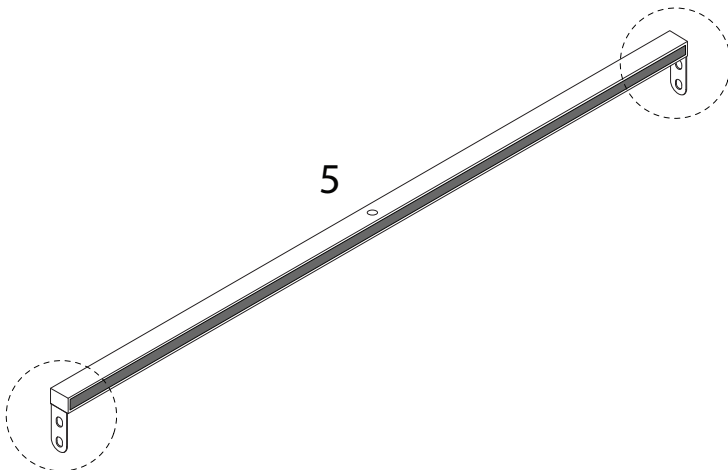


x 2

J



x 2



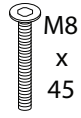
11

B



x 1

E

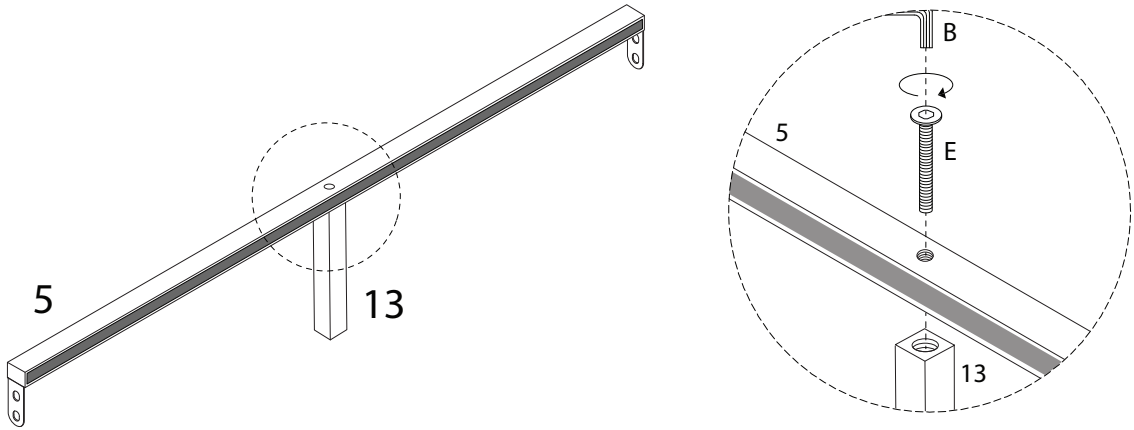


x 1

13

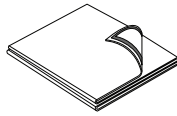


x 1

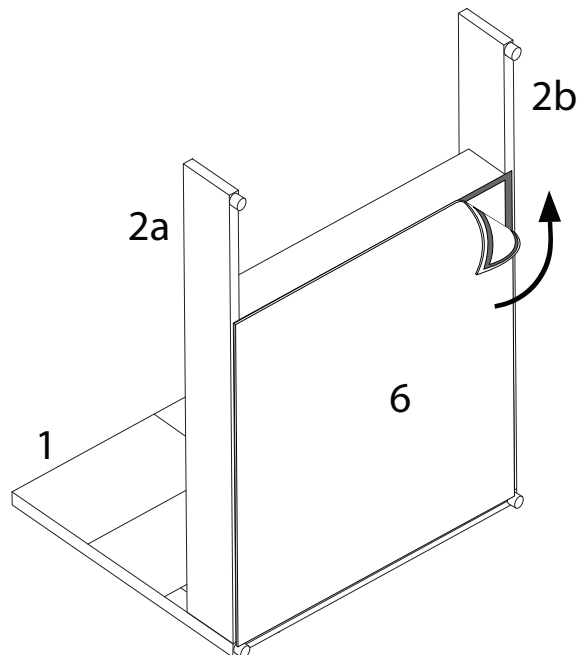


12

6

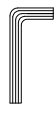


x 1



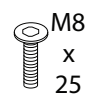
13

B

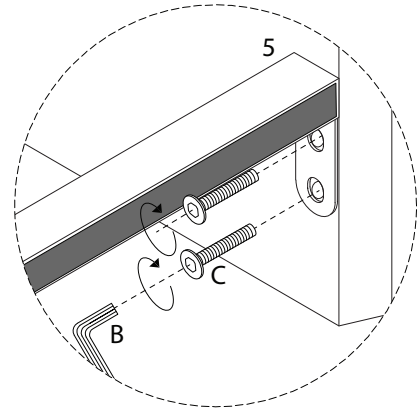
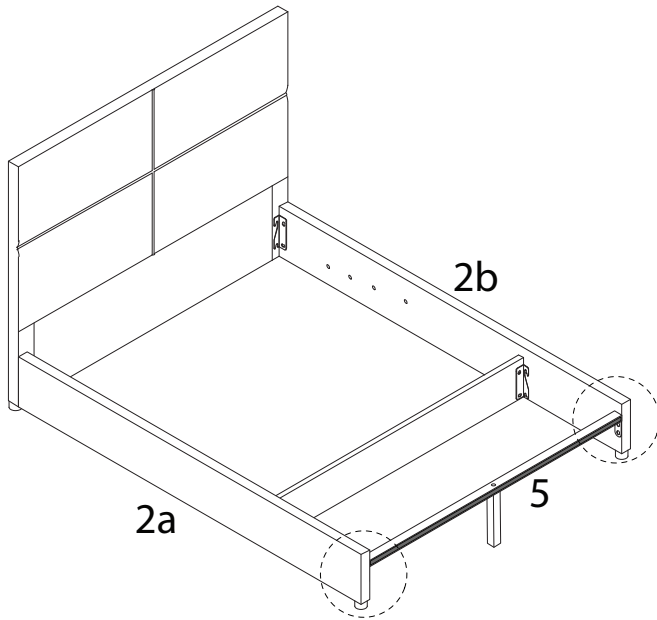


x 1

C



x 4



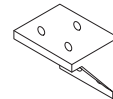
14

G

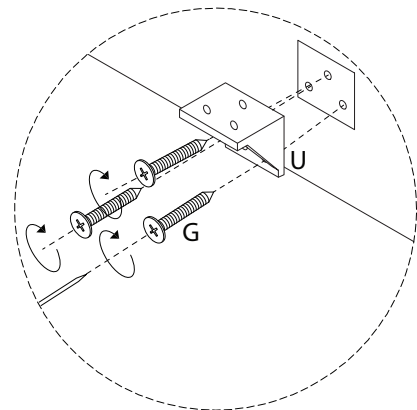
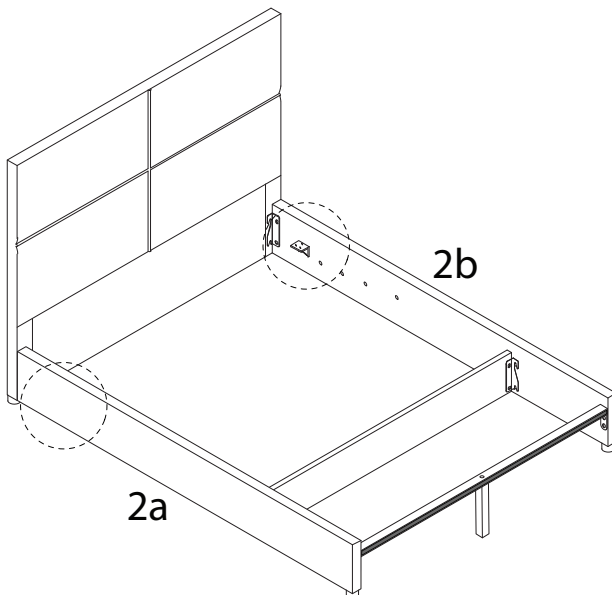


x 6

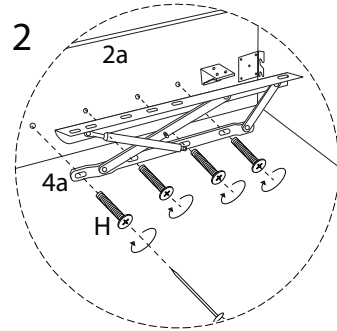
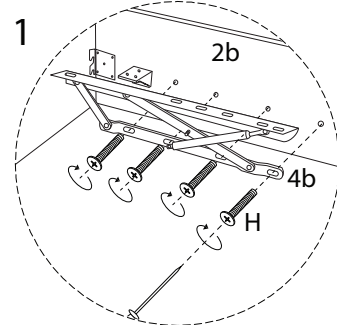
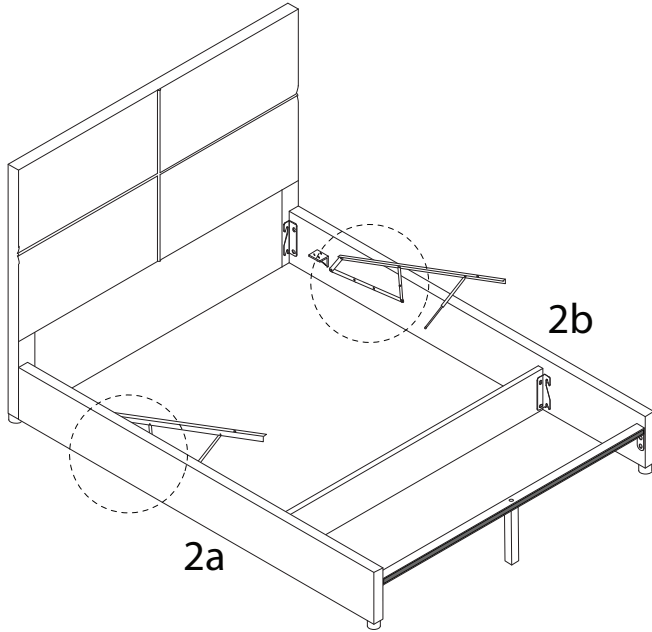
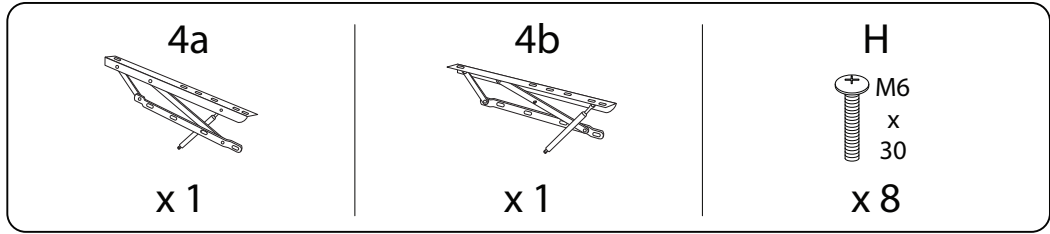
U



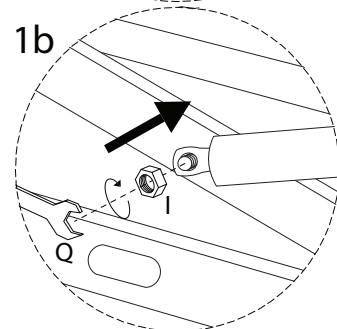
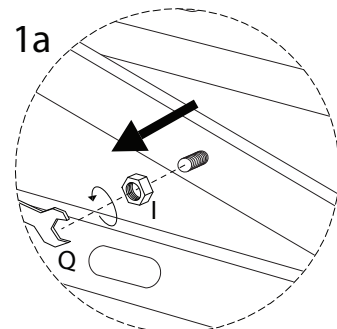
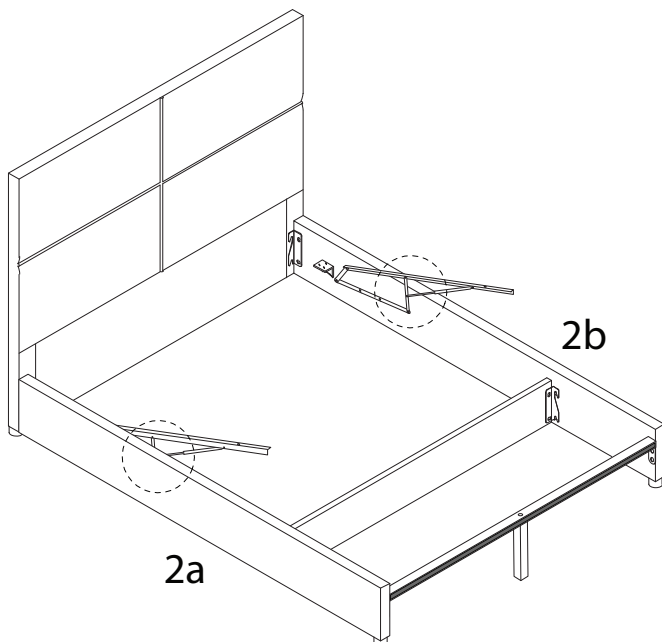
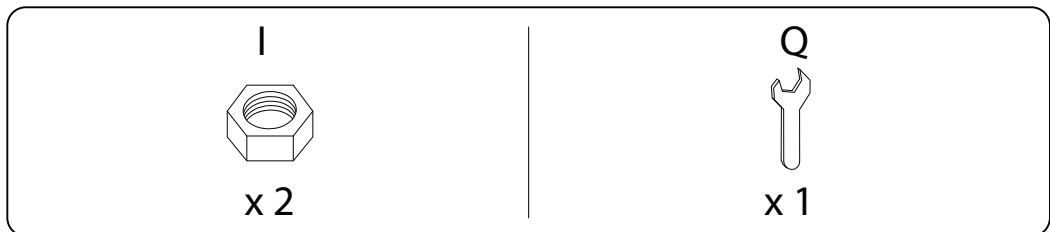
x 2



15



16

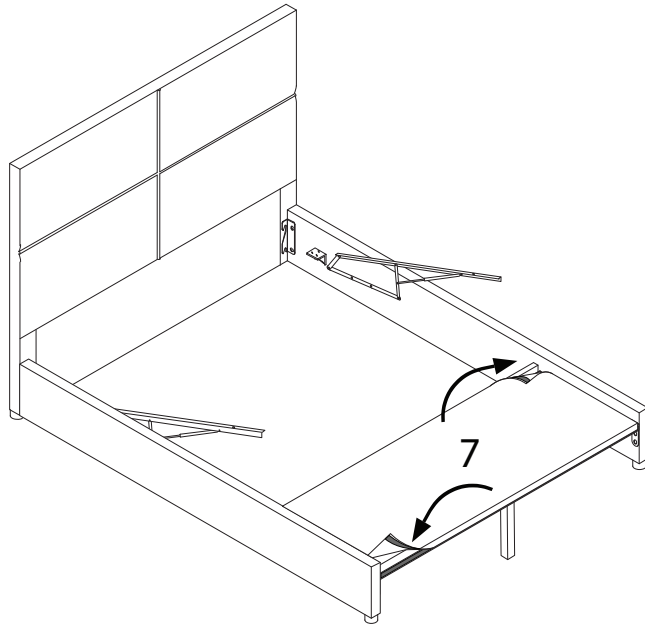


17

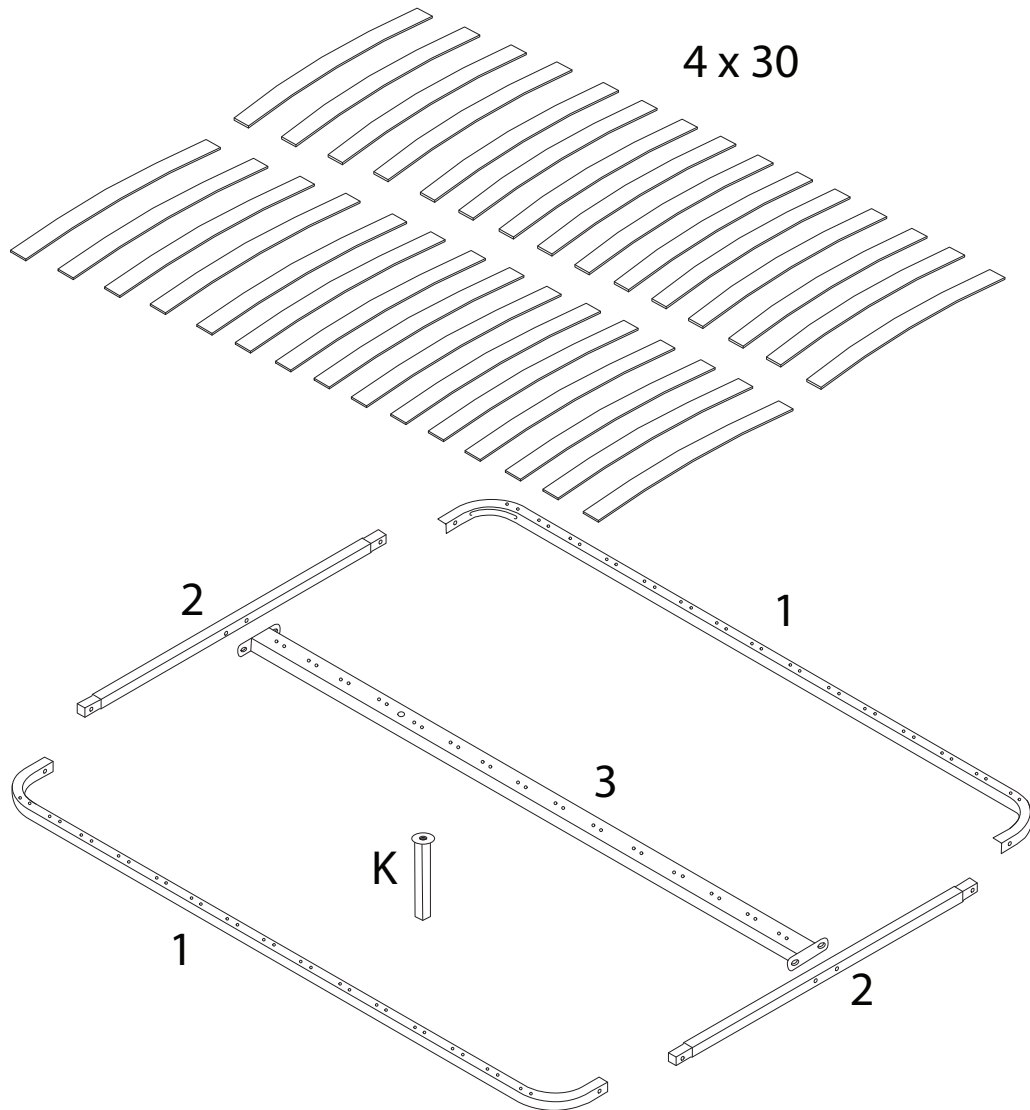
7

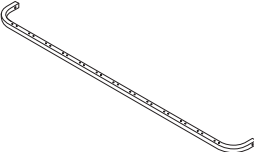
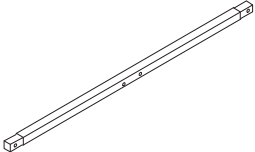
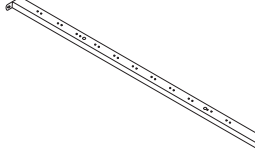
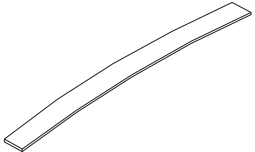


x 1

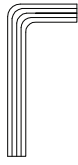


B



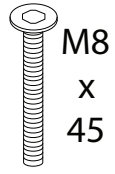
1	2	3	4
			
x 2	x 2	x 1	x 30

B



x 1

E



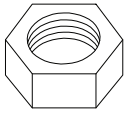
x 15

K



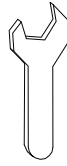
x 1

P



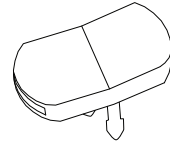
x 14

Q



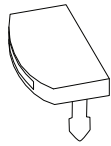
x 1

R



x 15

S



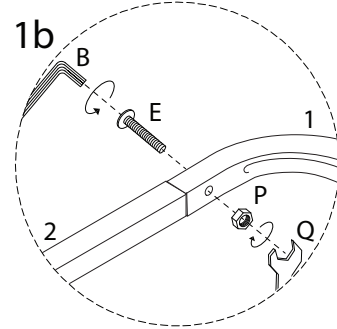
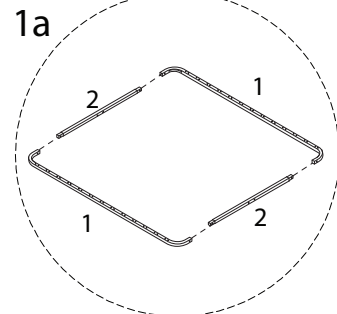
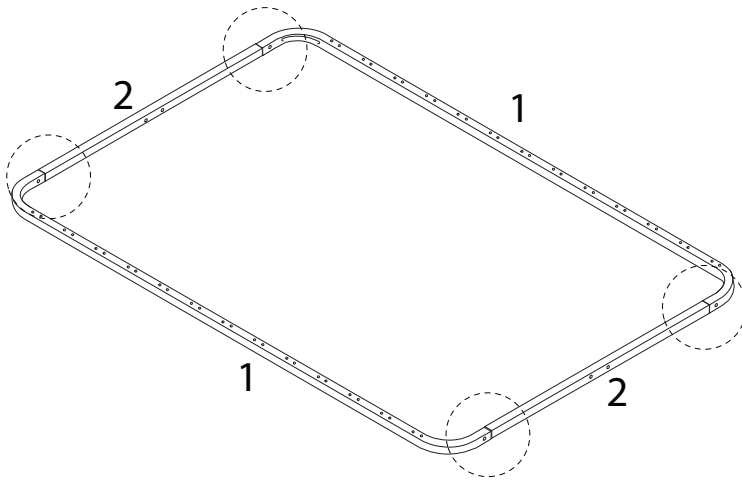
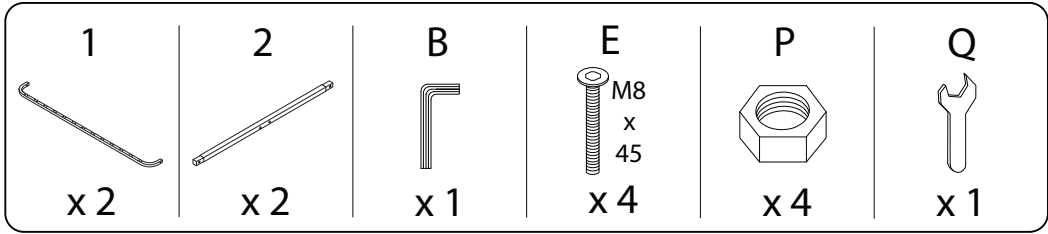
x 30

T

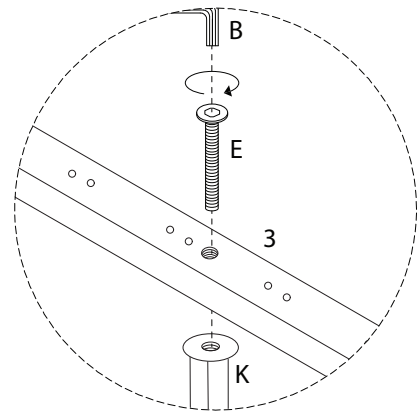
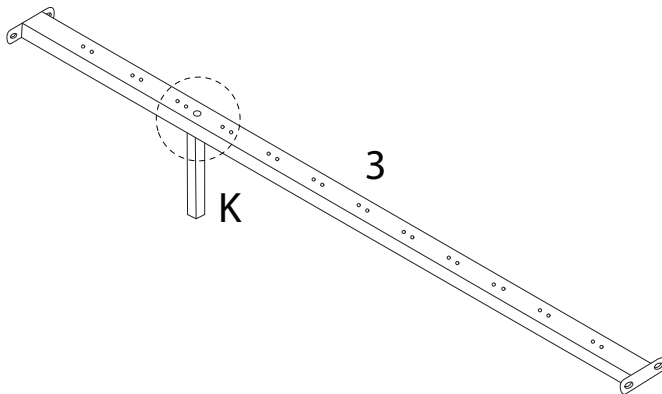
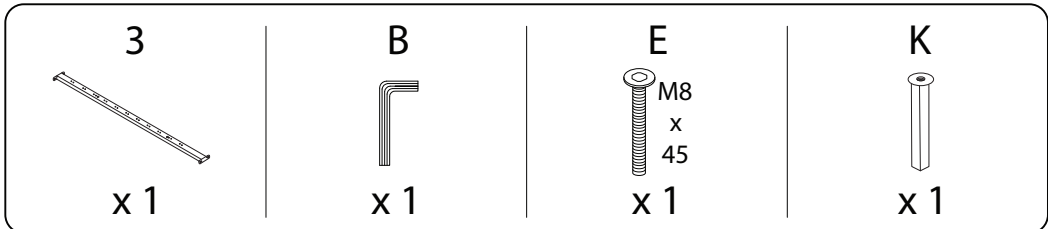


x 1

1



2



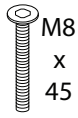
3

B



x 1

E



x 4

P

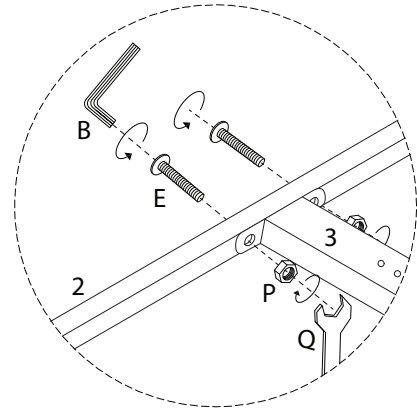
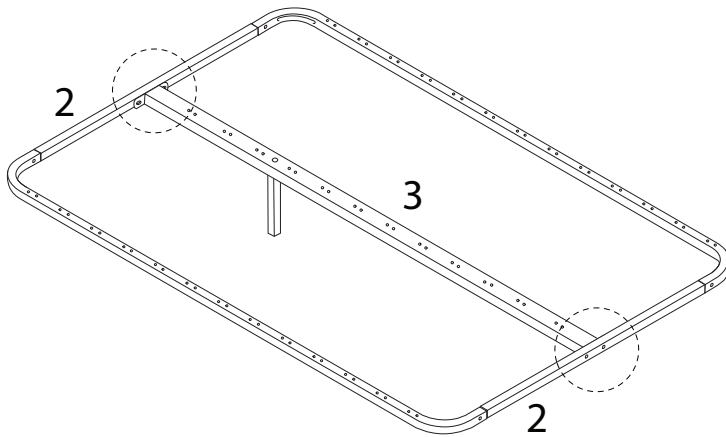


x 4

Q



x 1

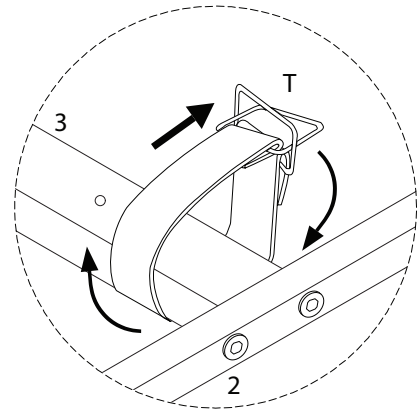
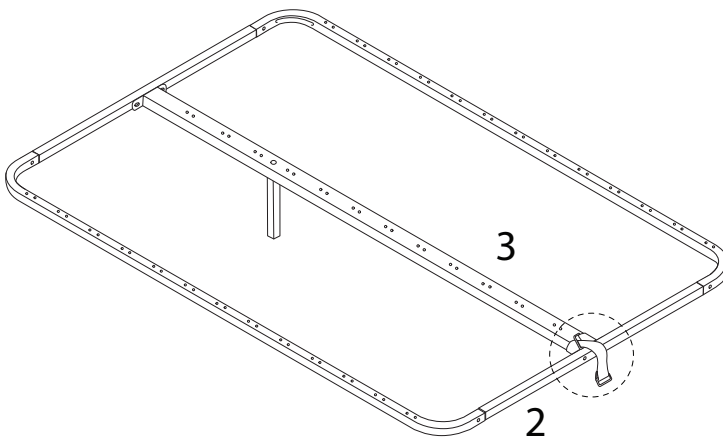


4

T



x 1



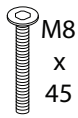
5

B



x 1

E



x 6

P

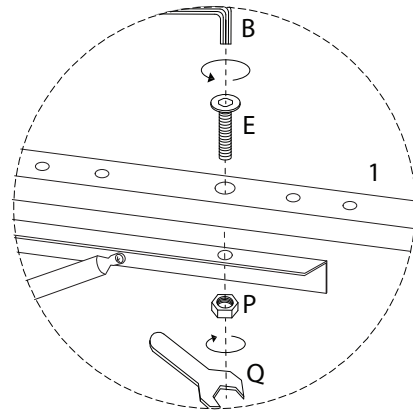
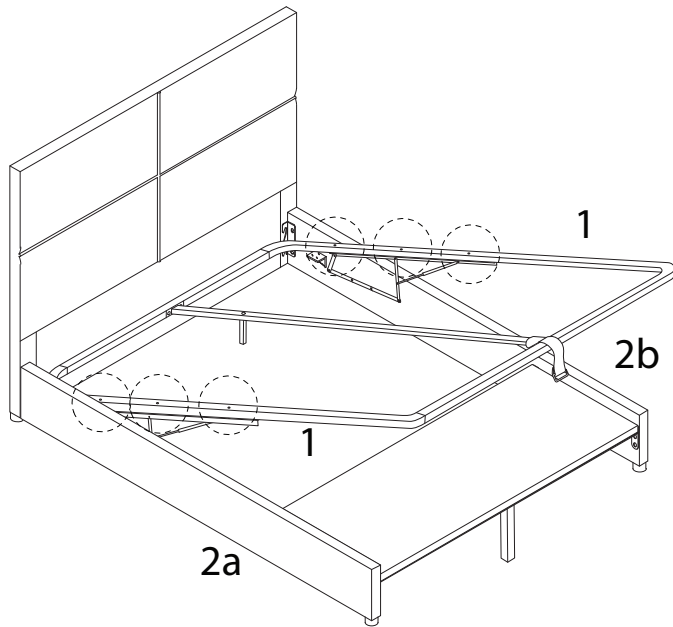


x 6

Q

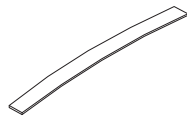


x 1



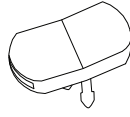
6

4



x 30

R

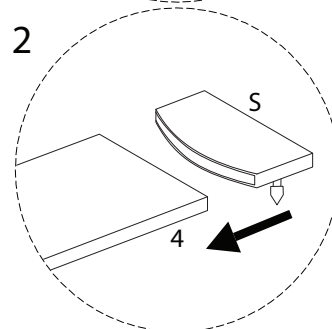
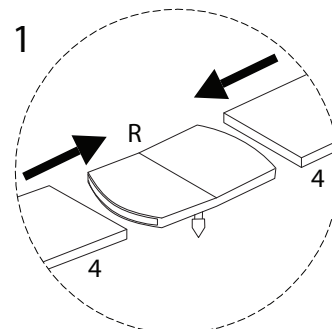
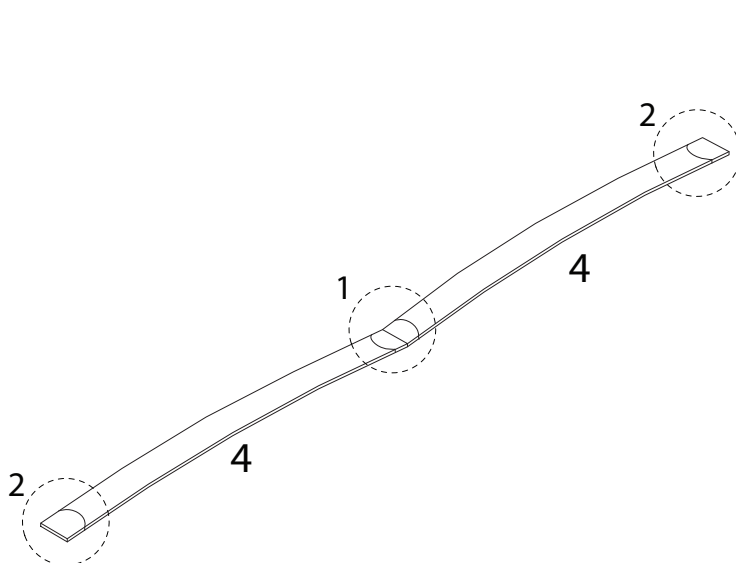


x 15

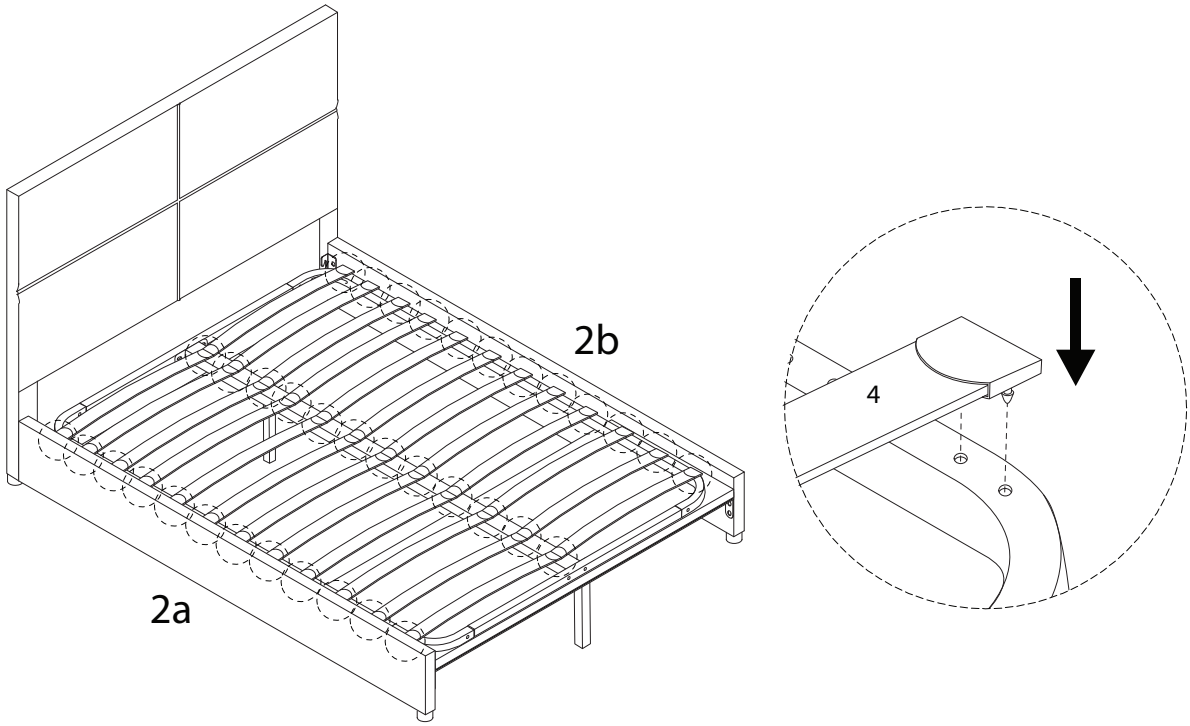
S



x 30



7



8

