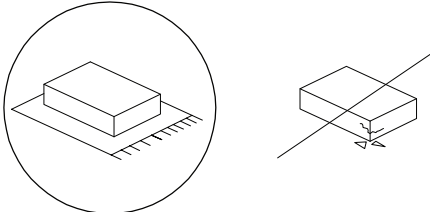


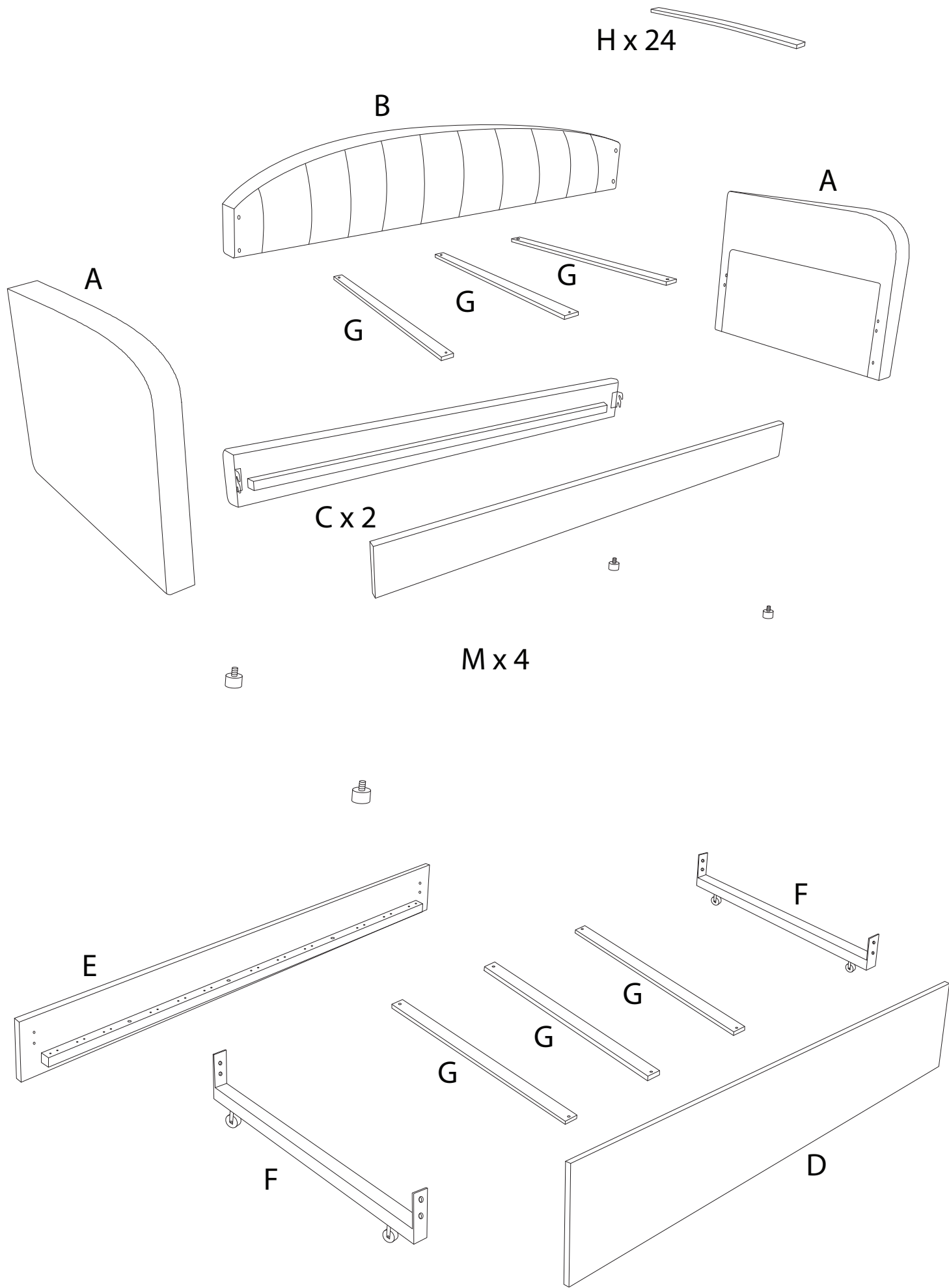
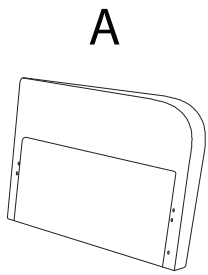
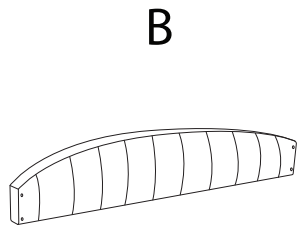

		60'
		
		2

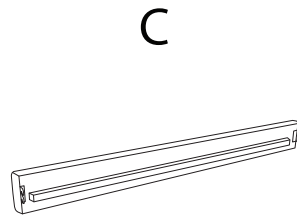




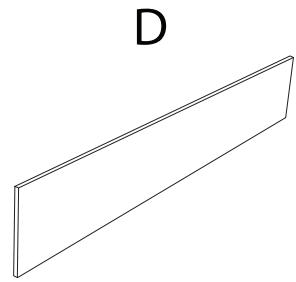
x 2



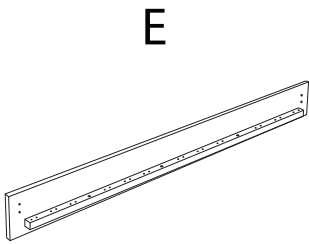
x 1



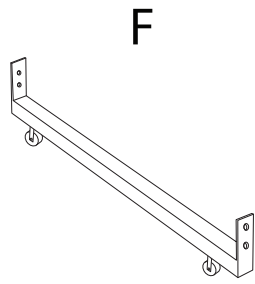
x 2



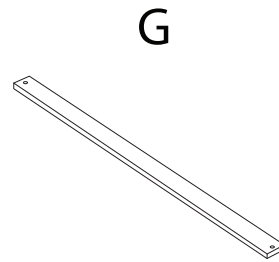
x 1



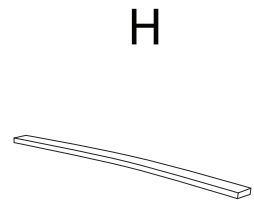
x 1



x 2



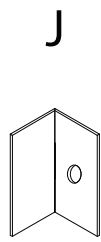
x 6



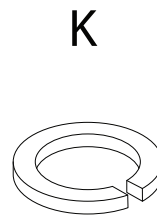
x 24



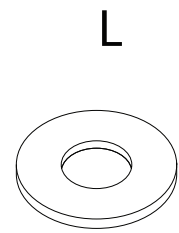
x 48



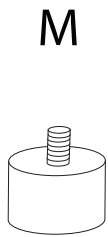
x 2



x 32



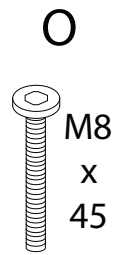
x 32



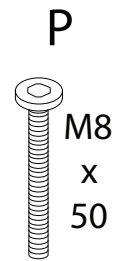
x 4



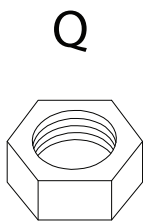
x 18



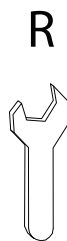
x 12



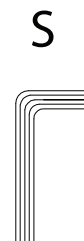
x 4



x 12



x 1



x 1

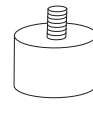
1

A

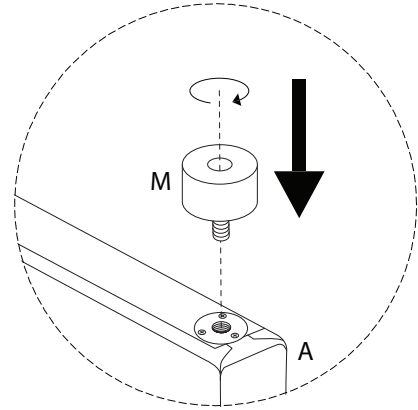
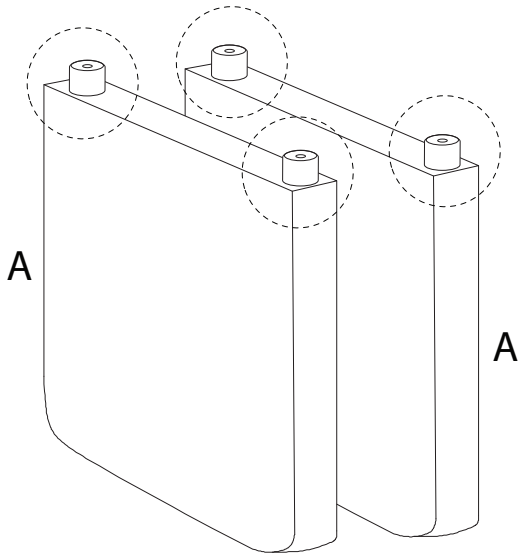


x 2

M



x 4



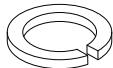
2

C



x 2

K



x 8

L



x 8

N

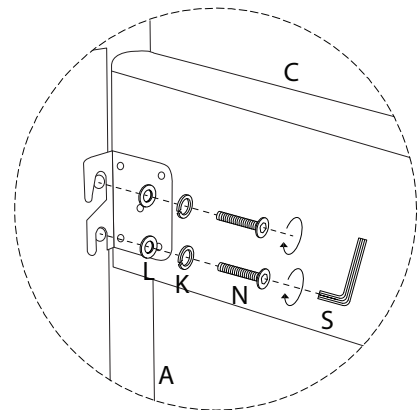
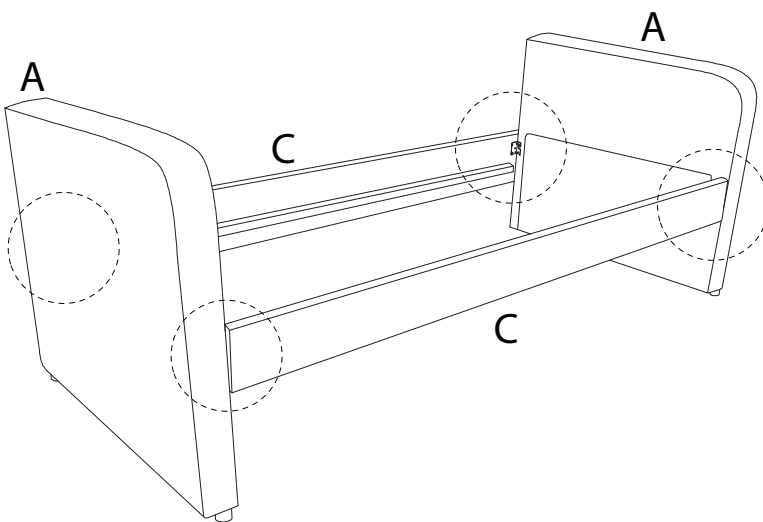


x 8

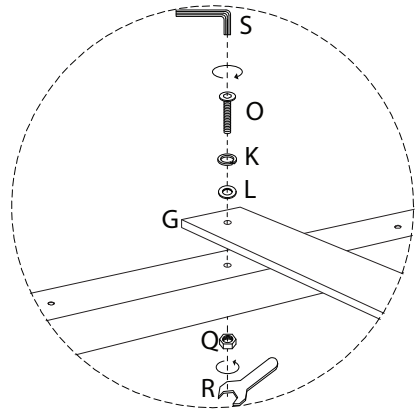
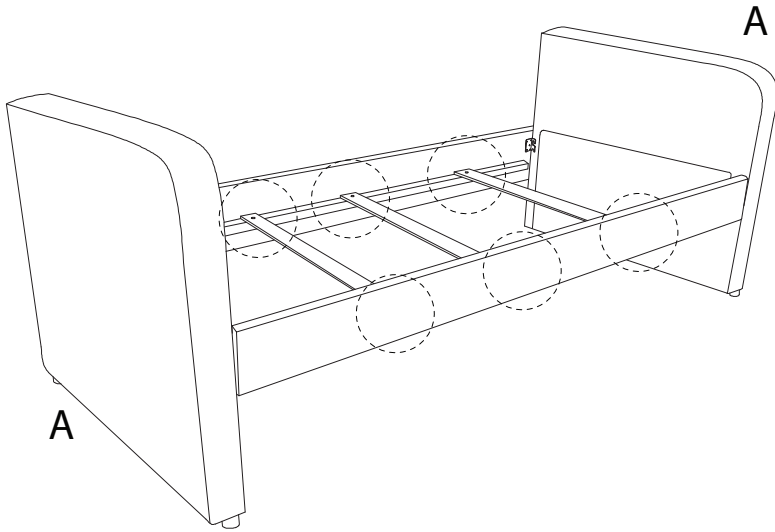
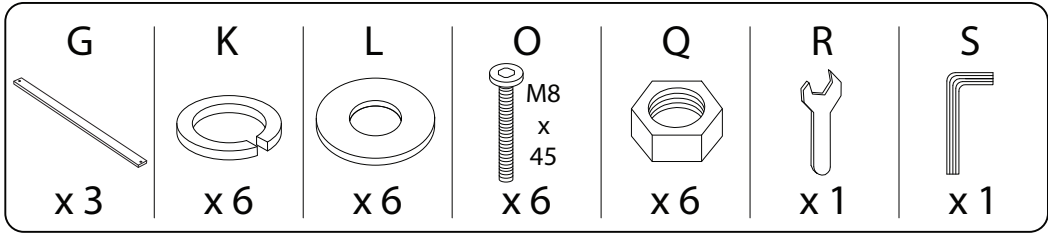
S



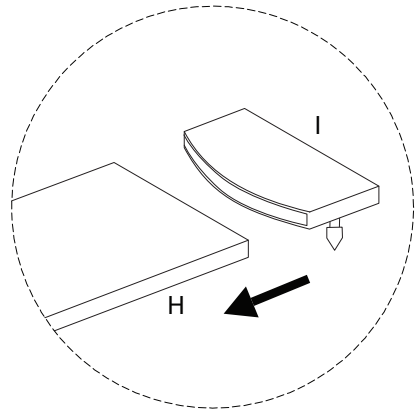
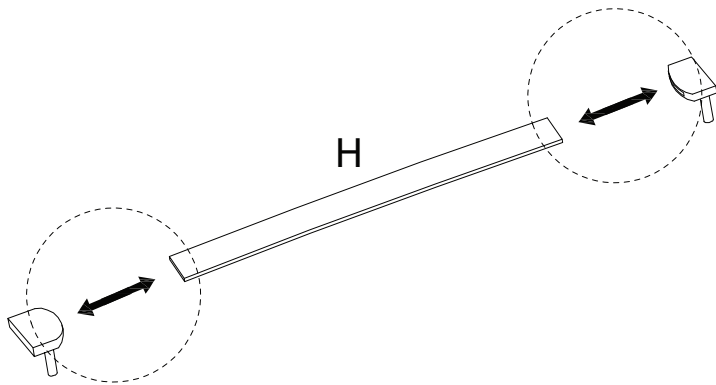
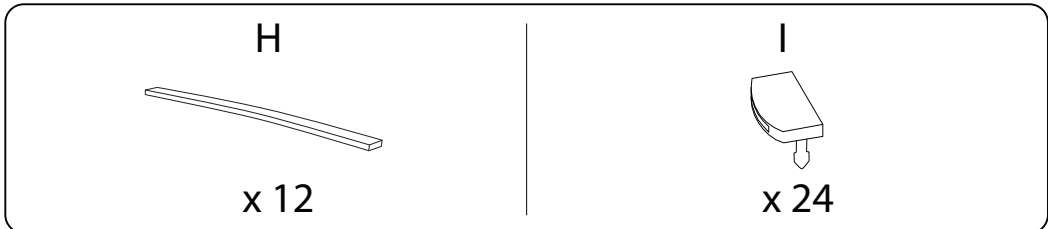
x 1



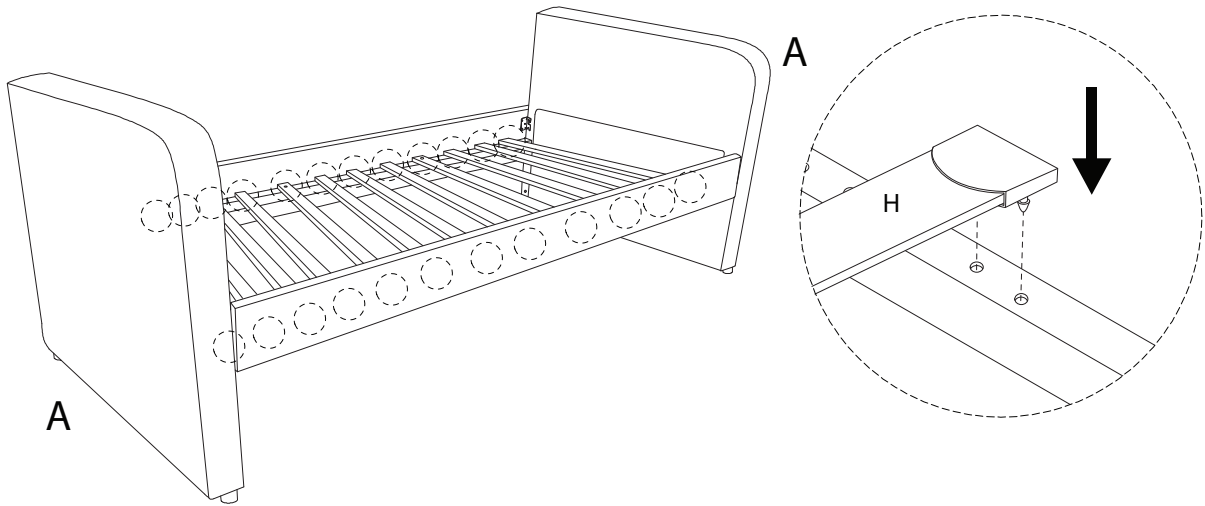
3



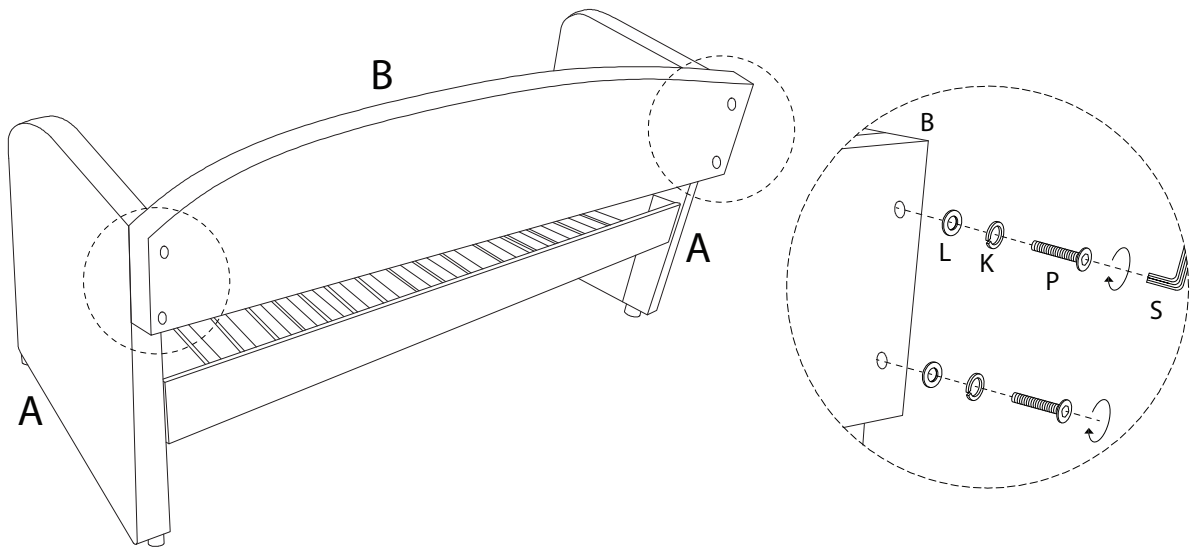
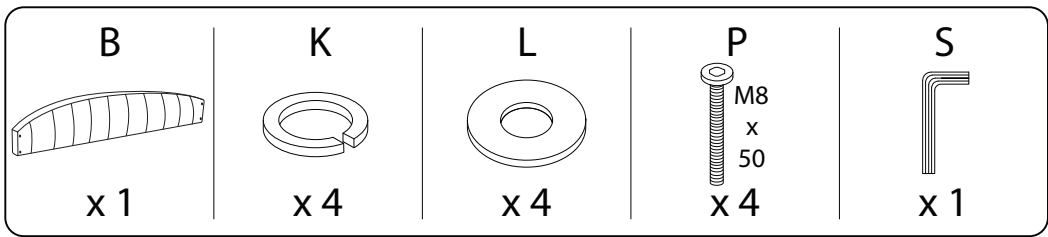
4 x 12



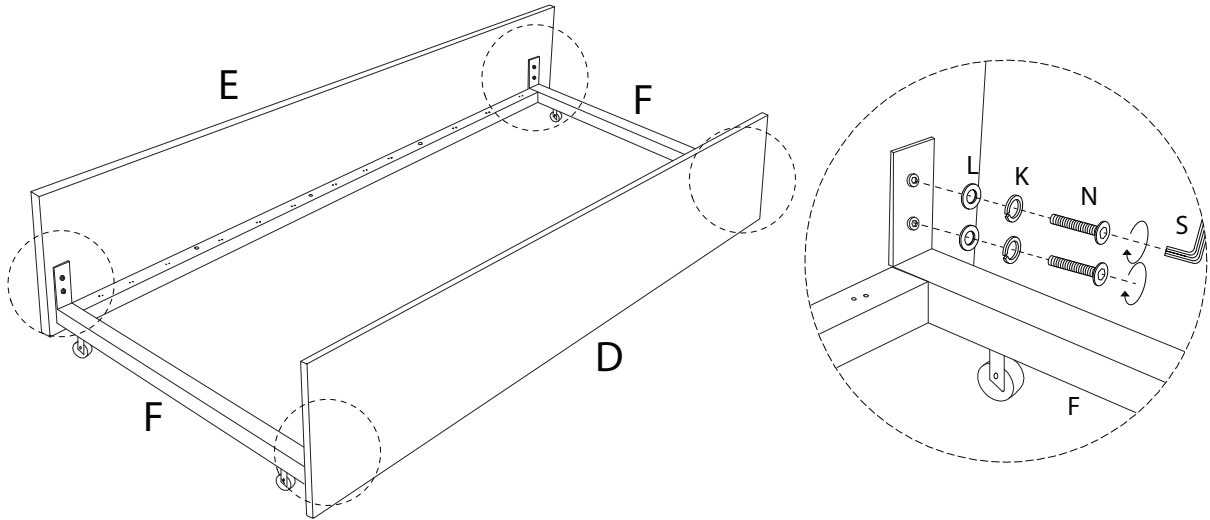
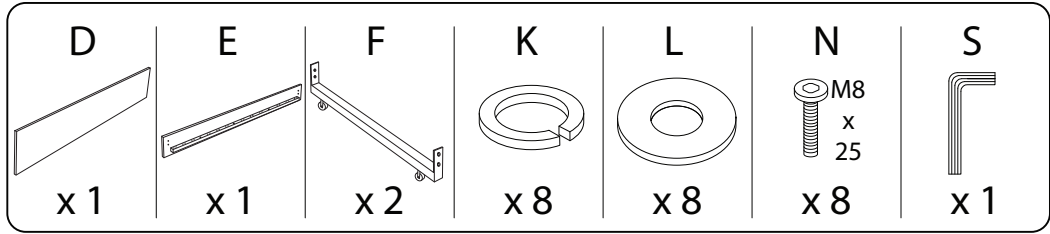
5



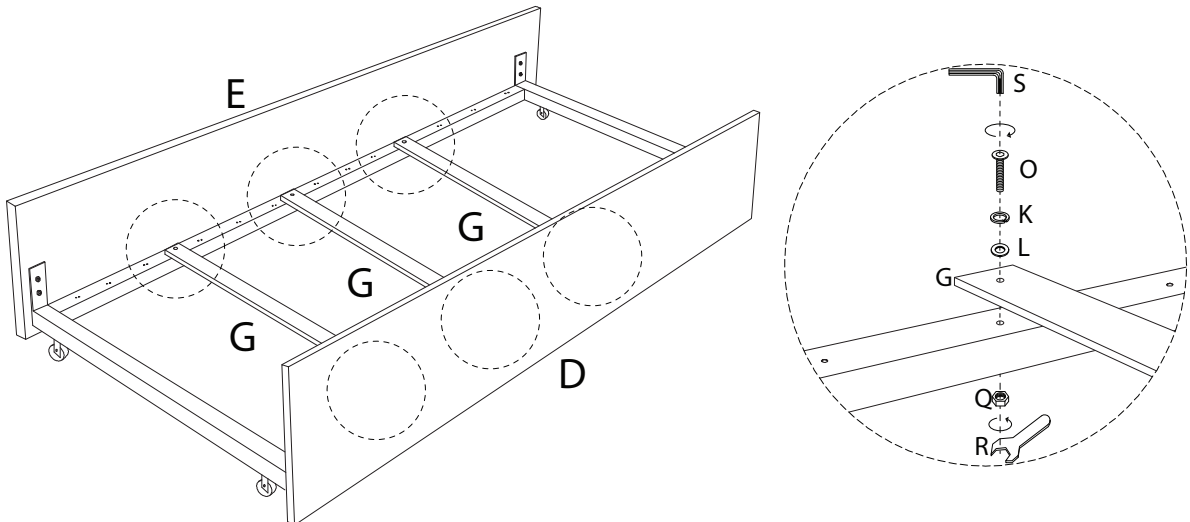
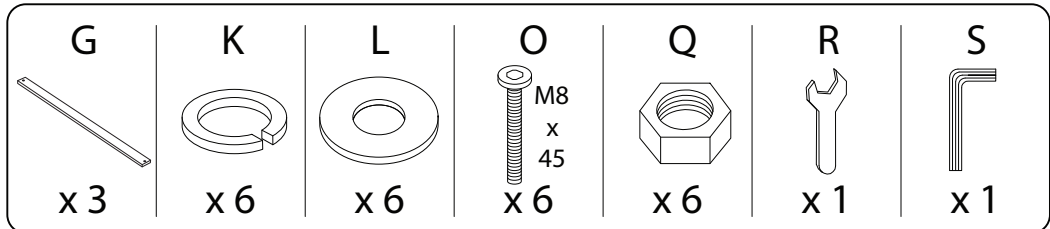
6



7



8



9 x 12

H

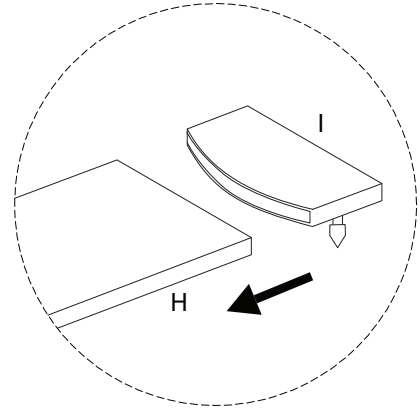
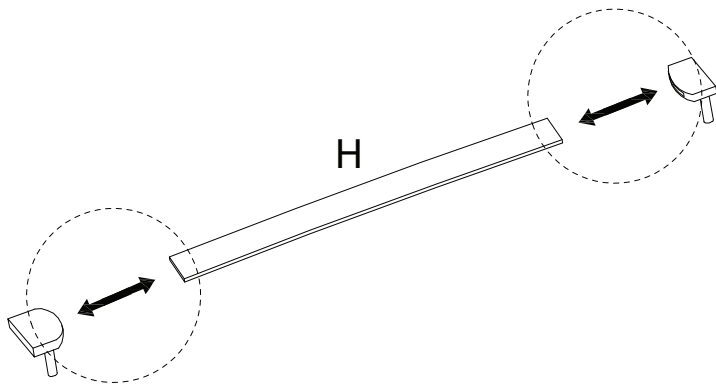


x 12

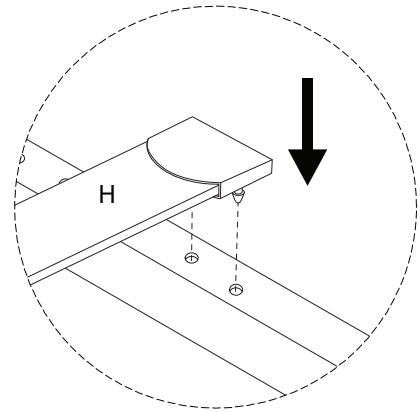
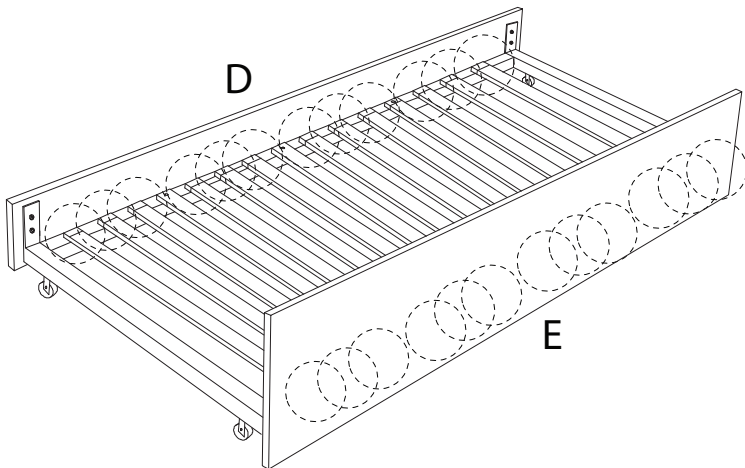
I



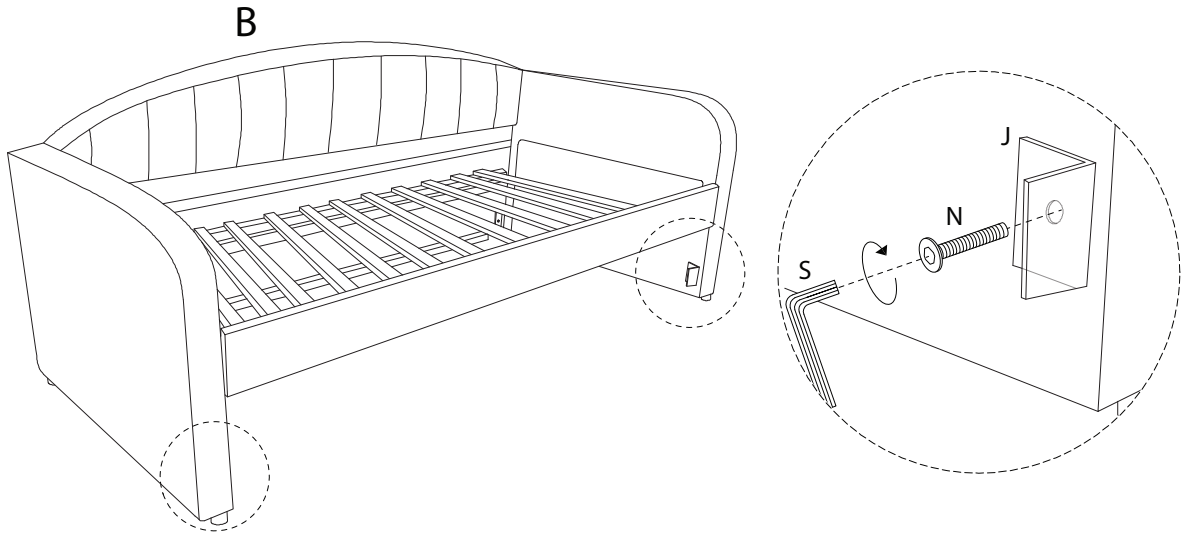
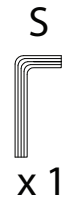
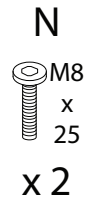
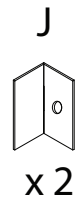
x 24



10



11



12

