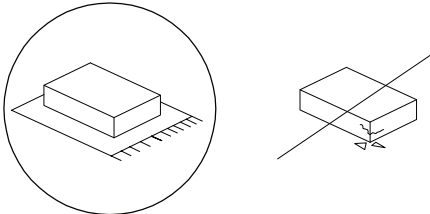


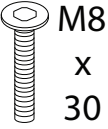
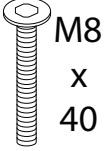
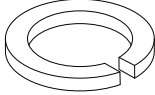
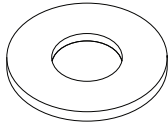
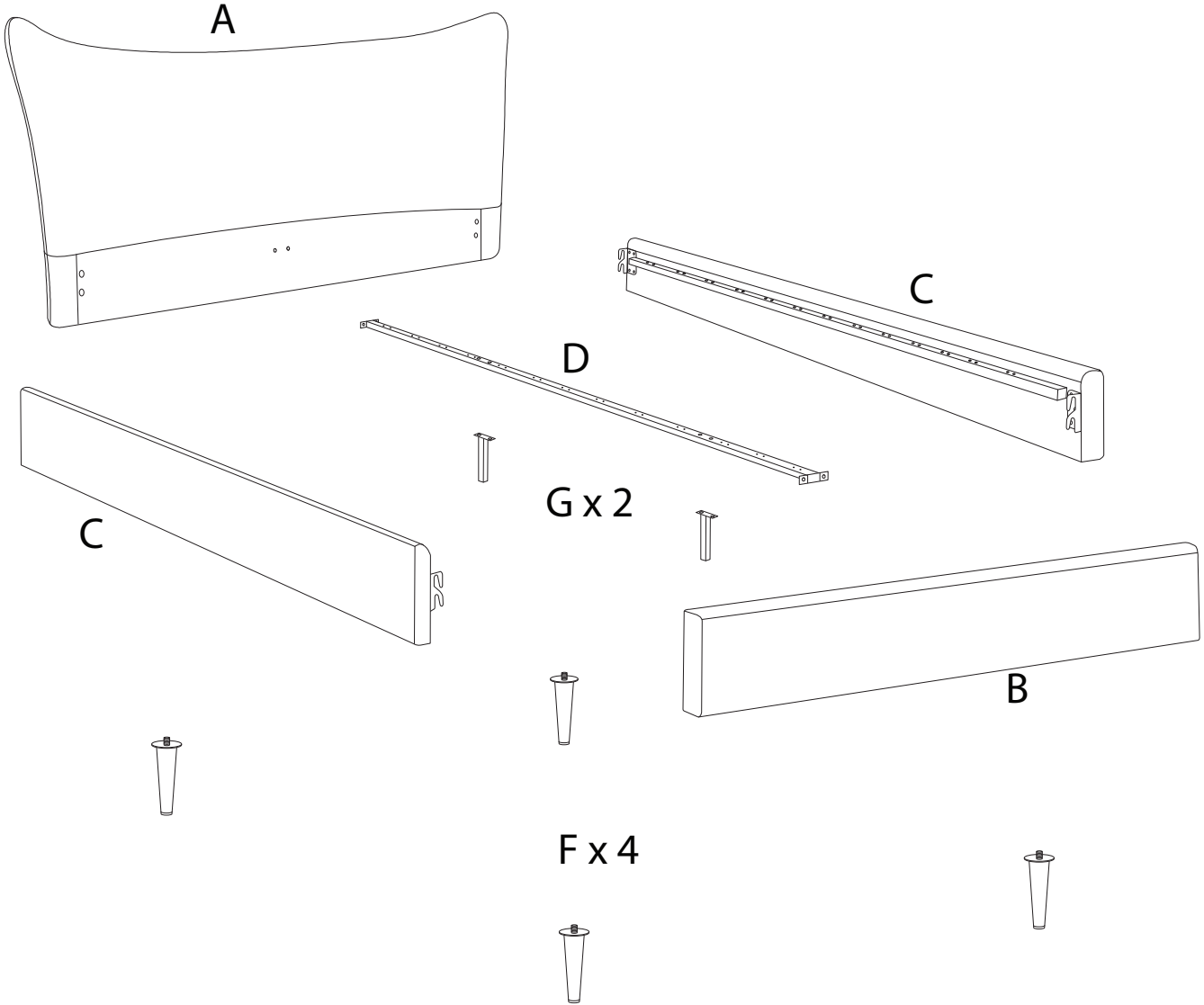

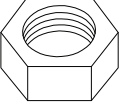
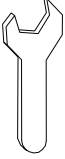
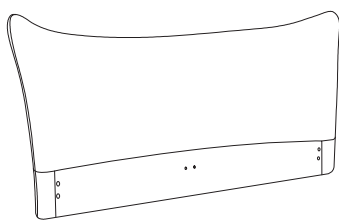

		40'
		
		2

<p>1</p>  <p>M8 x 30</p> <p>x 12</p>	<p>2</p>  <p>M8 x 40</p> <p>x 4</p>	<p>3</p>  <p>x 16</p>	<p>4</p>  <p>x 16</p>
---------------------------------------------------------------------------------------------------------------------------------------------	--------------------------------------------------------------------------------------------------------------------------------------------	-----------------------------------------------------------------------------------------------------------------------	------------------------------------------------------------------------------------------------------------------------



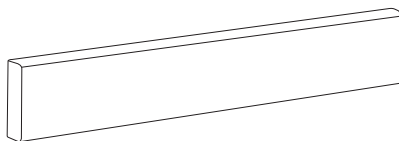
<p>5</p>  <p>x 1</p>	<p>6</p>  <p>x 4</p>	<p>7</p>  <p>x 1</p>
-----------------------------------------------------------------------------------------------------------------------	-----------------------------------------------------------------------------------------------------------------------	-------------------------------------------------------------------------------------------------------------------------

A



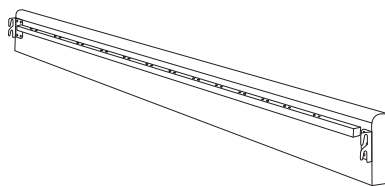
x 1

B



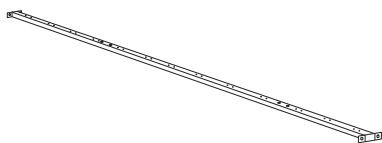
x 1

C



x 2

D



x 1

E



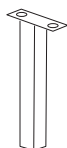
x 32

F



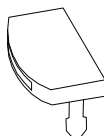
x 4

G



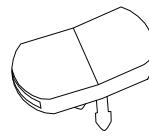
x 2

H



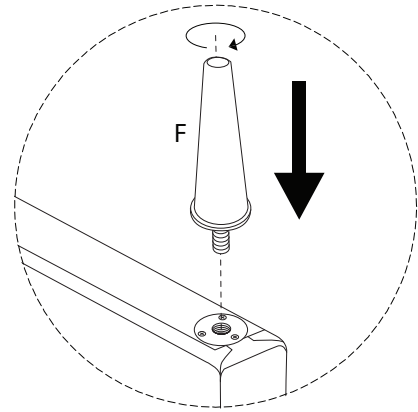
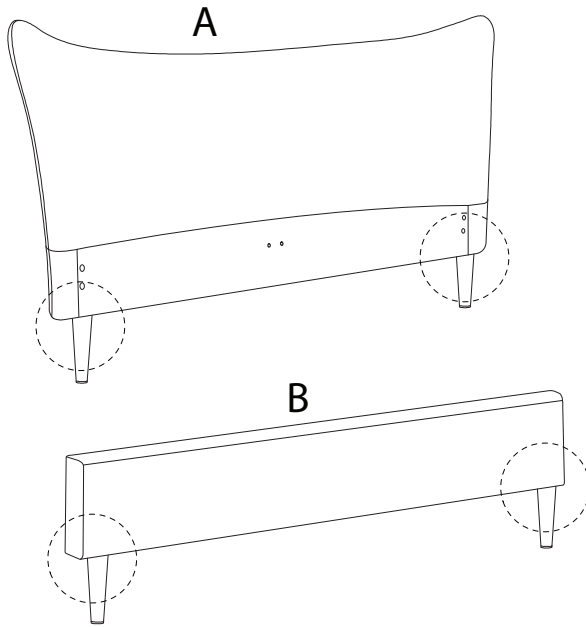
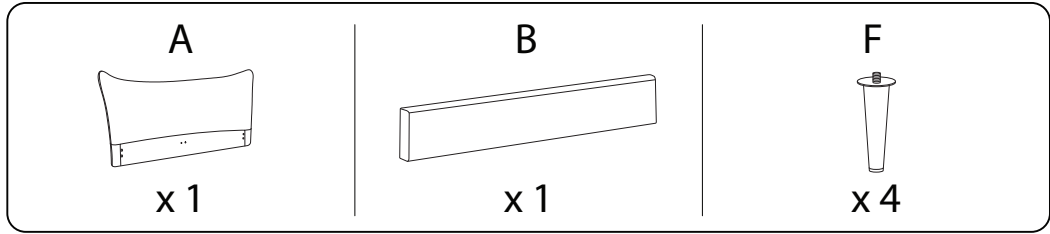
x 32

I

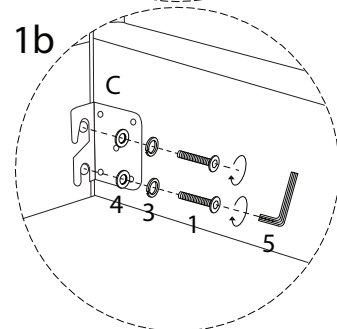
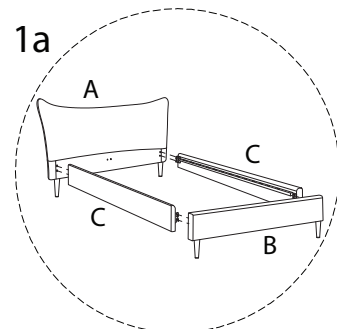
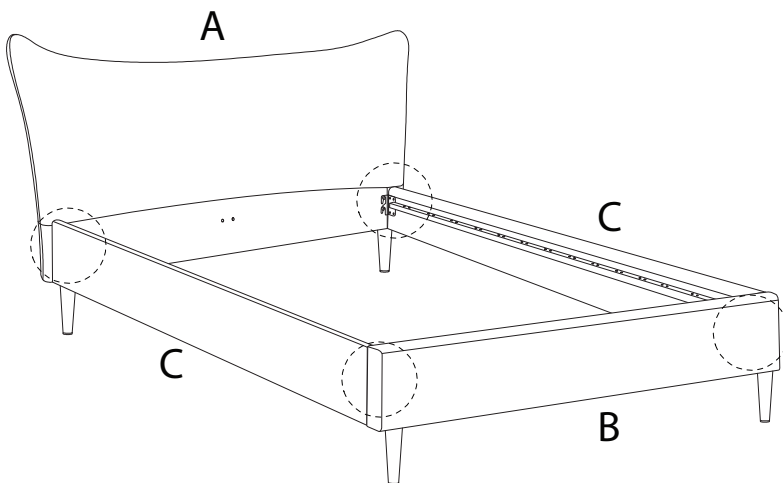
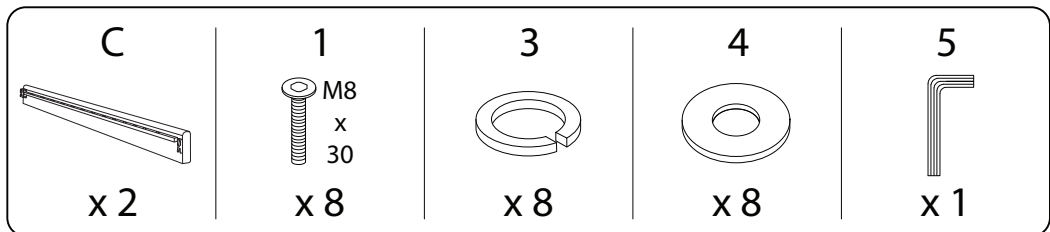


x 16


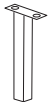

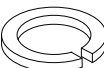

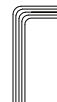
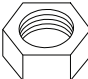

1

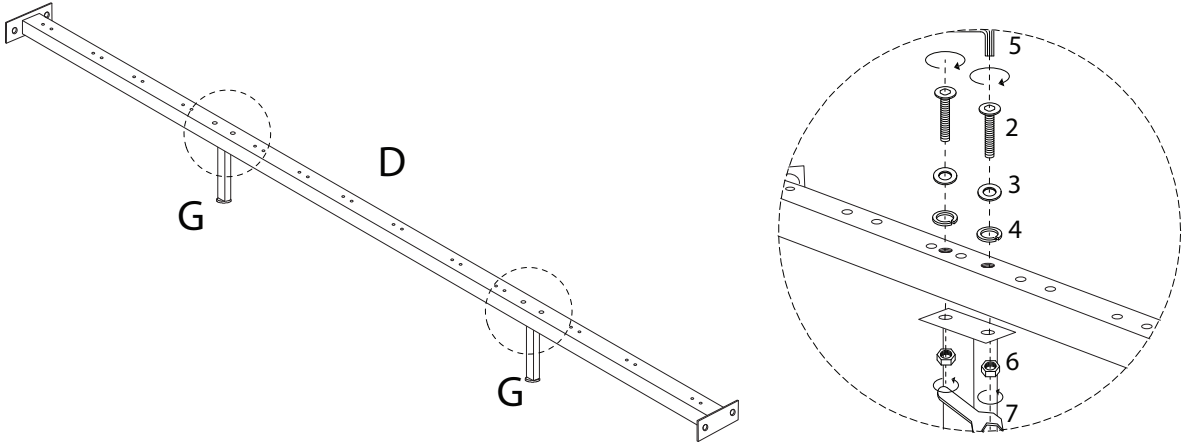


2


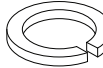

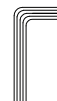


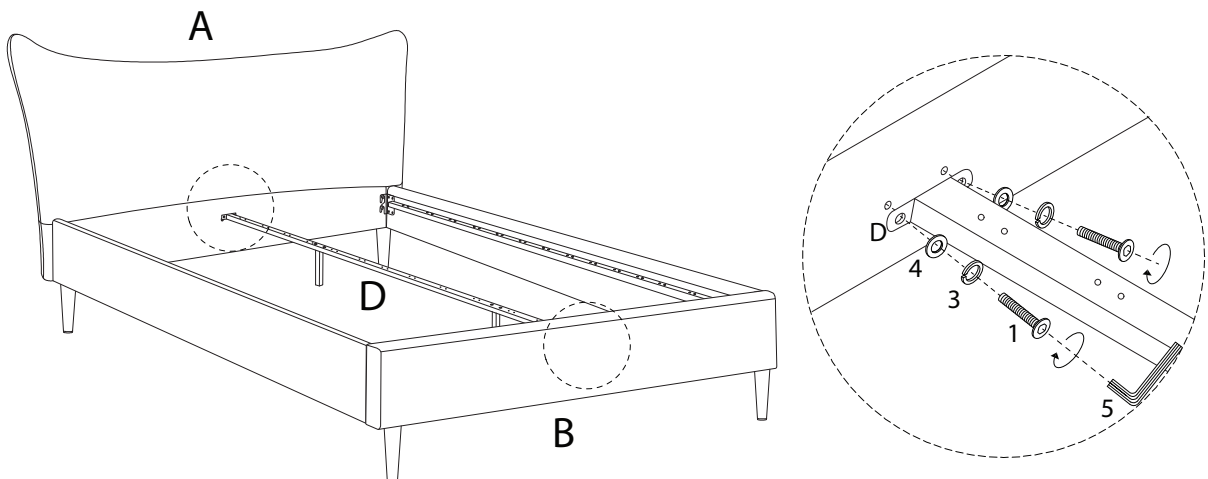
3

D	G	2	3	4	5	6	7
							
x 1	x 2	x 4	x 4	x 4	x 1	x 4	x 1

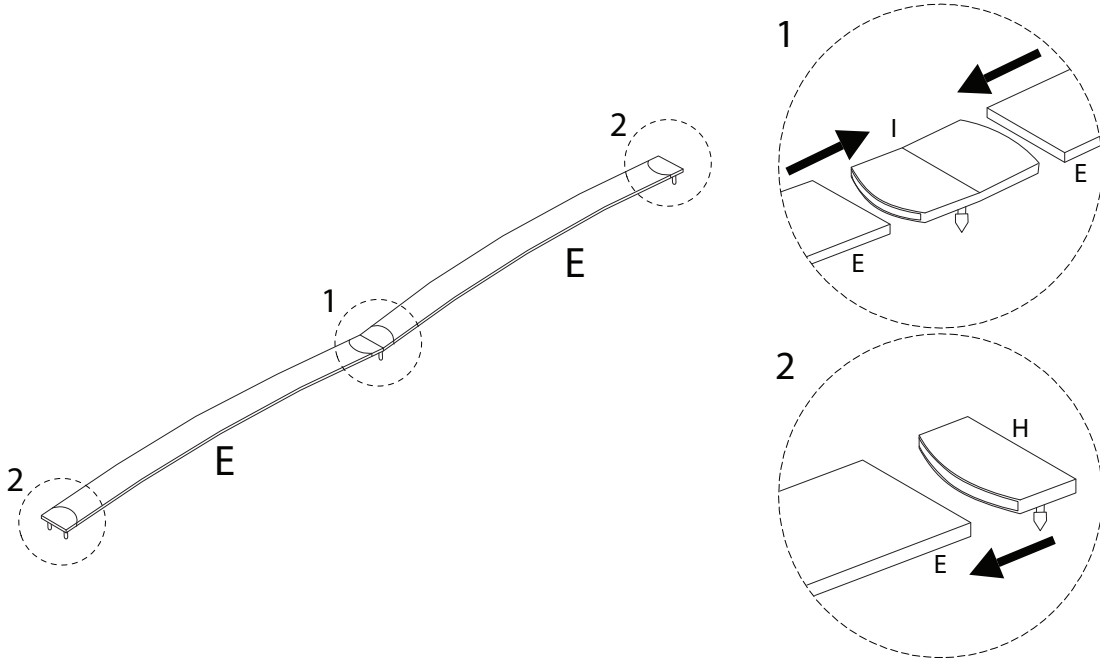
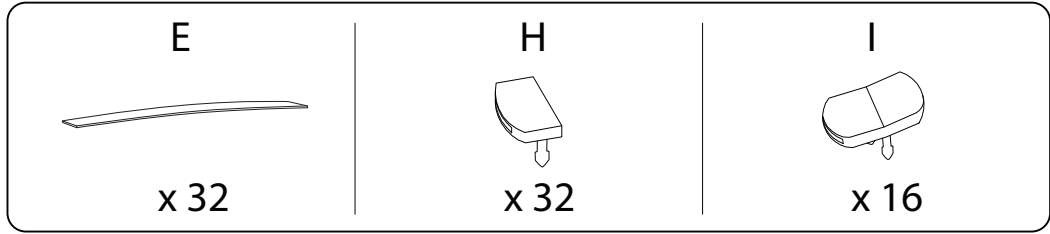


4

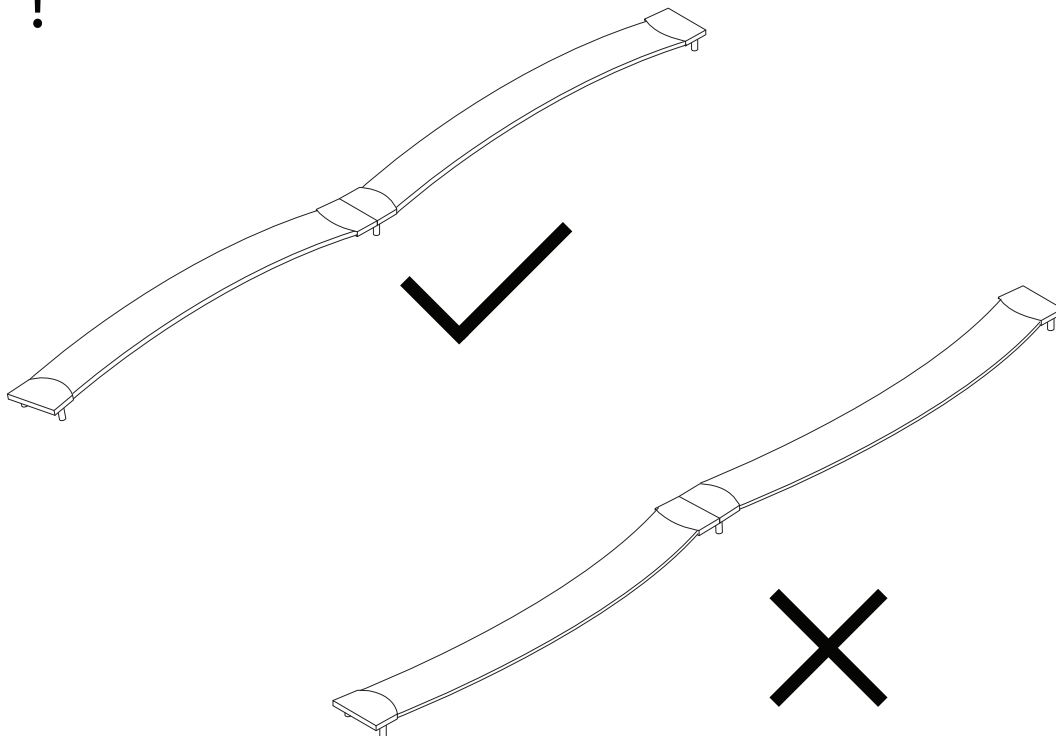
1	3	4	5
			
x 4	x 4	x 4	x 1



5 X 16



!



6

