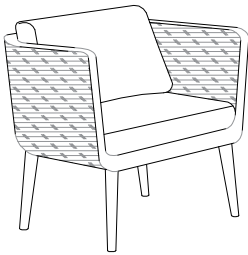
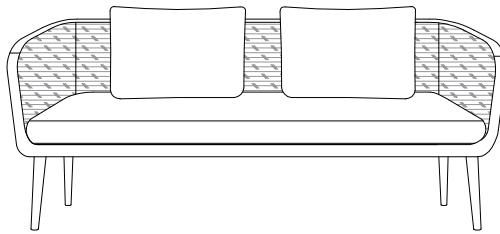


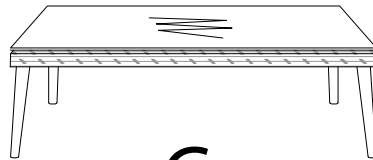
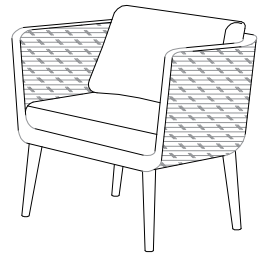
A



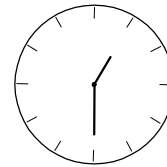
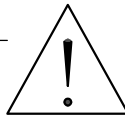
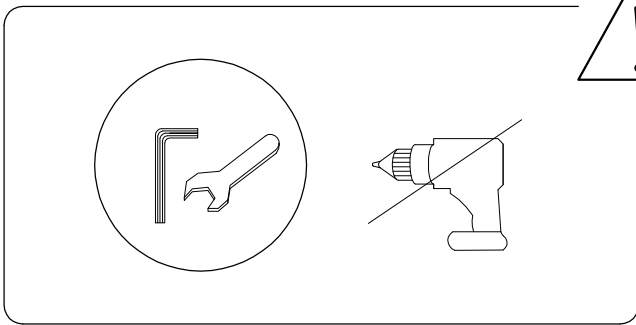
B



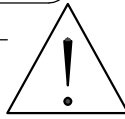
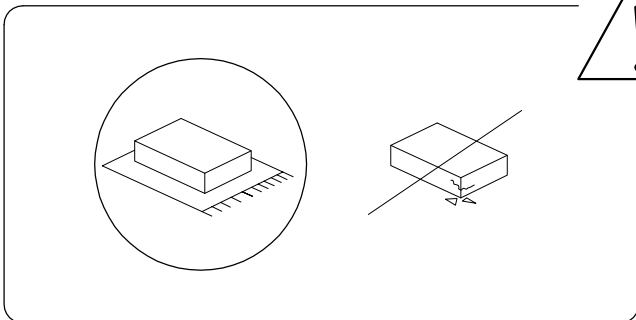
A



C

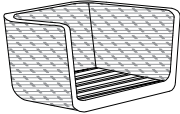


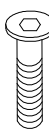
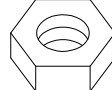


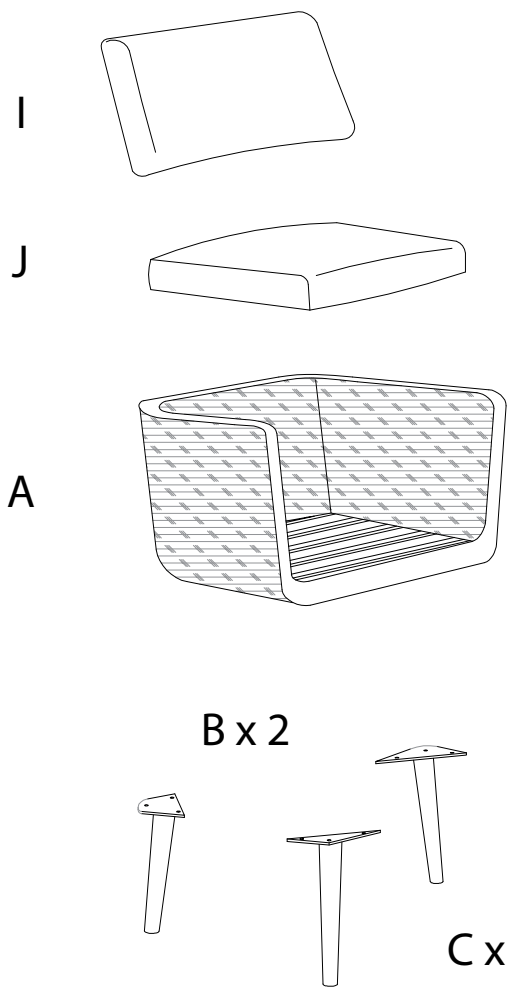
90'


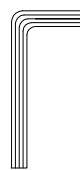
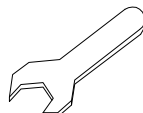




2

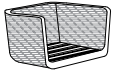



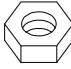
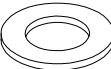
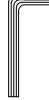

A x 2

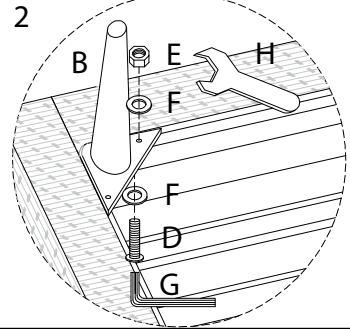
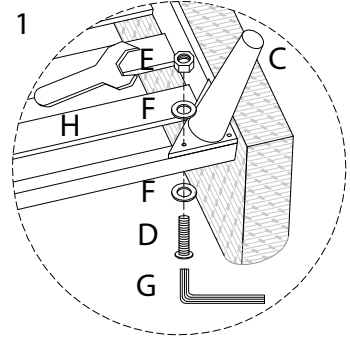
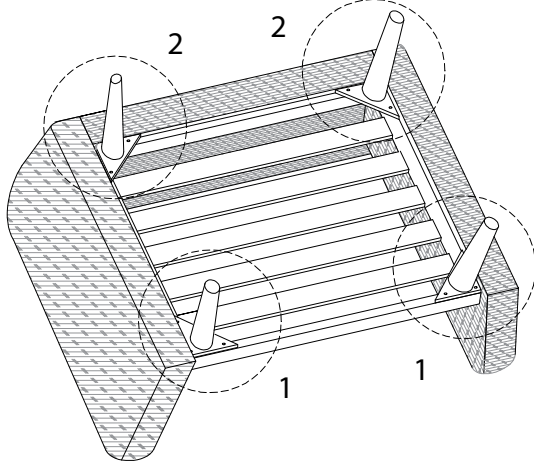
<p>A</p>  <p>x 1</p>	<p>B</p>  <p>x 2</p>	<p>C</p>  <p>x 2</p>	<p>D</p>  <p>M6 x 16</p> <p>x 12</p>	<p>E</p>  <p>x 12</p>
---	---	---	--	--




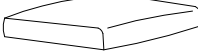
<p>F</p>  <p>x 24</p>	<p>G</p>  <p>x 1</p>	<p>H</p>  <p>x 1</p>	<p>I</p>  <p>x 1</p>	<p>J</p>  <p>x 1</p>
--	---	---	--	---

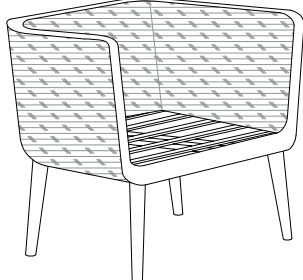
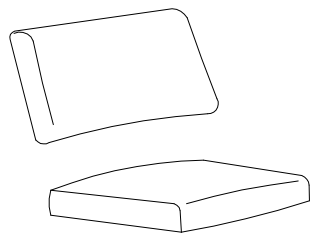
1

A	B	C	D	E	F	G	H
							
x1	x2	x2	x12	x12	x24	x1	x1

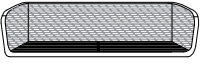


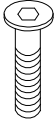
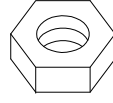


2

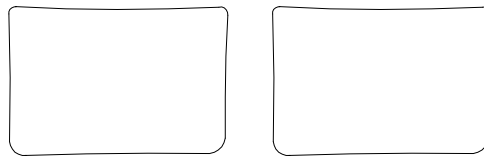
I	J
	
x1	x1



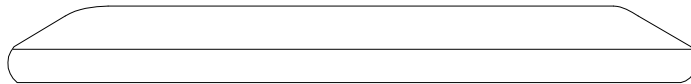
B

A	B	C	D	E
			 M6 x 16	
x 1	x 2	x 2	x 12	x 12

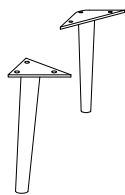
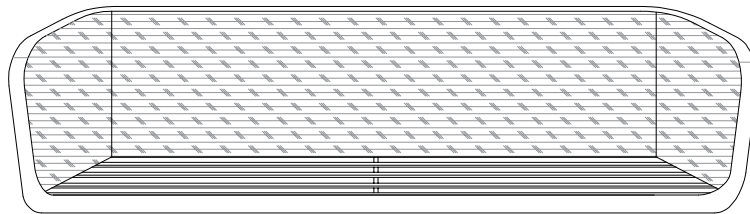
I x 2



J

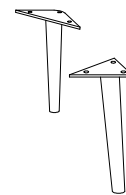



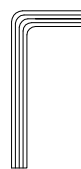
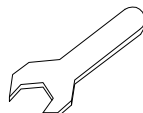
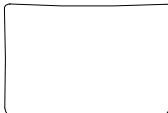
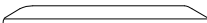
A



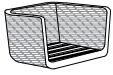




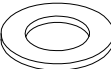
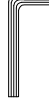

B x 2

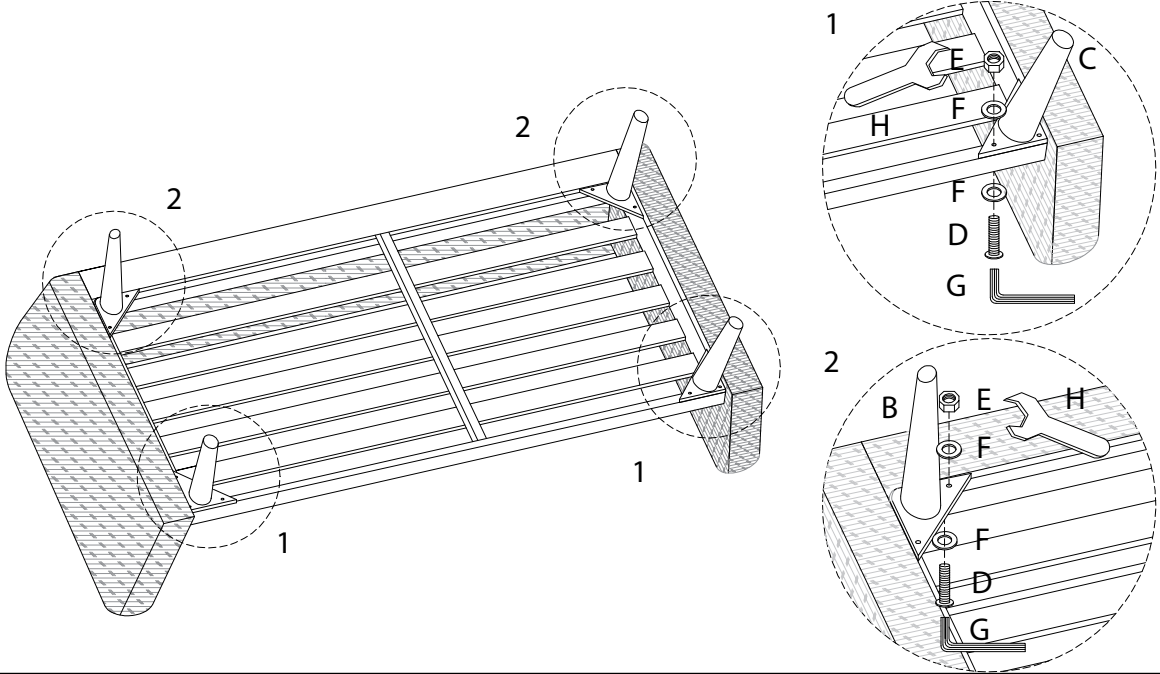
C x 2



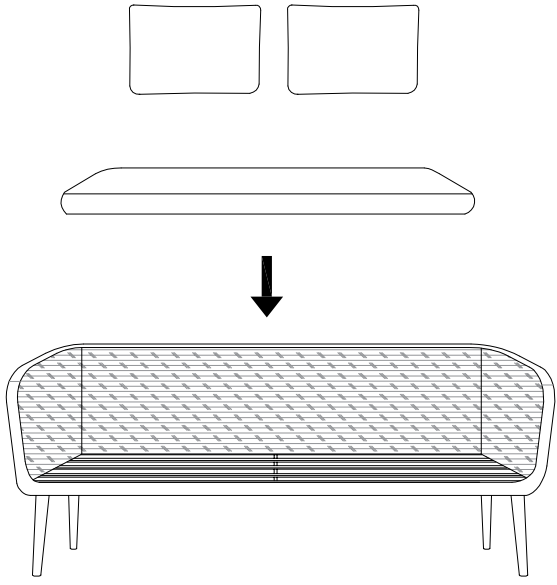
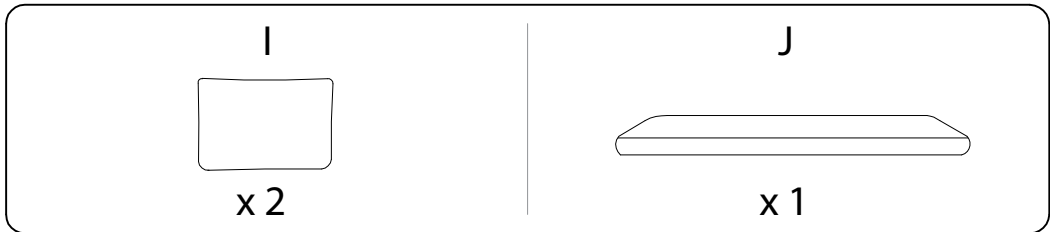
F	G	H	I	J
				
x 24	x 1	x 1	x 2	x 1

1




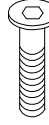
A	B	C	D	E	F	G	H
							
x1	x2	x2	x12	x12	x24	x1	x1



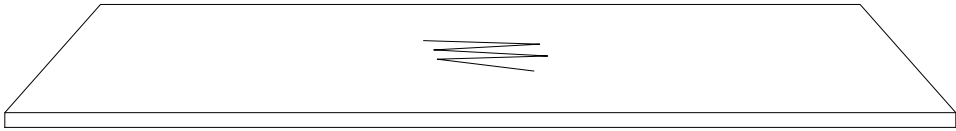
2



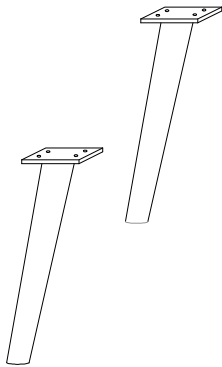
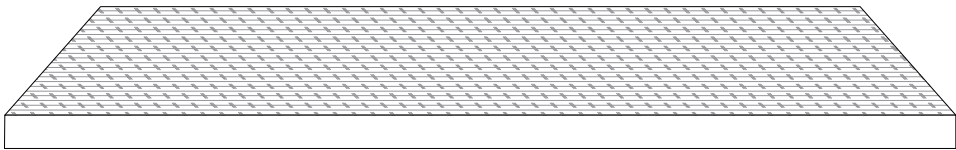
C

<p>A</p>  <p>x 1</p>	<p>B</p>  <p>x 1</p>	<p>C</p>  <p>x 4</p>	<p>D</p>  <p>M6 x 16</p> <p>x 16</p>
---	---	--	---

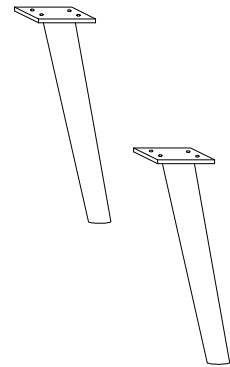
A

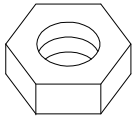
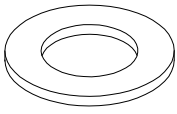
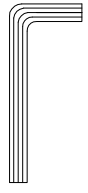
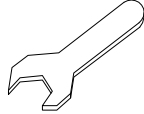


B



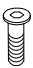
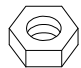

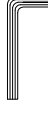
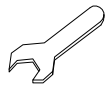


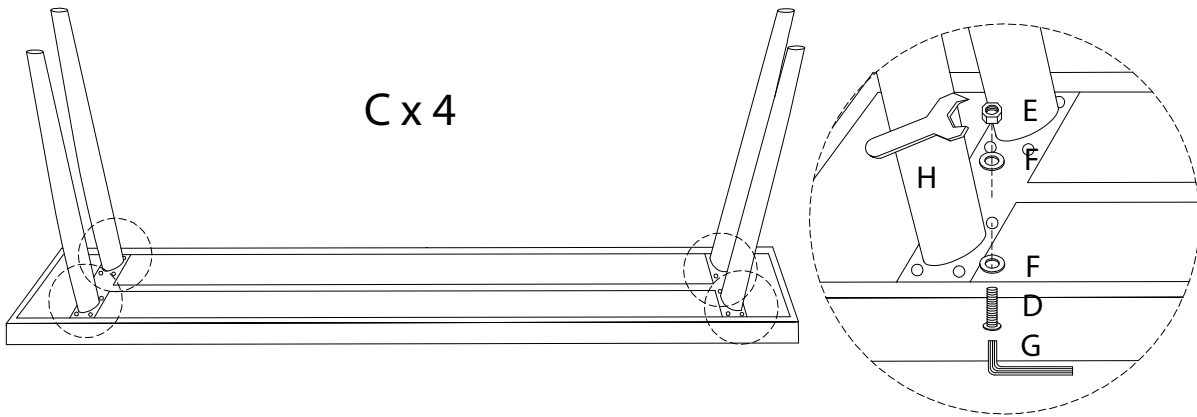
C x 4



<p>E</p>  <p>x 16</p>	<p>F</p>  <p>x 32</p>	<p>G</p>  <p>x 1</p>	<p>H</p>  <p>x 1</p>
--	--	---	---

1

B  x 1	C  x 4	D M6 x 16  x 16	E  x 16	F  x 32	G  x 1	H  x 1
--	--	--	---	--	--	--



2

