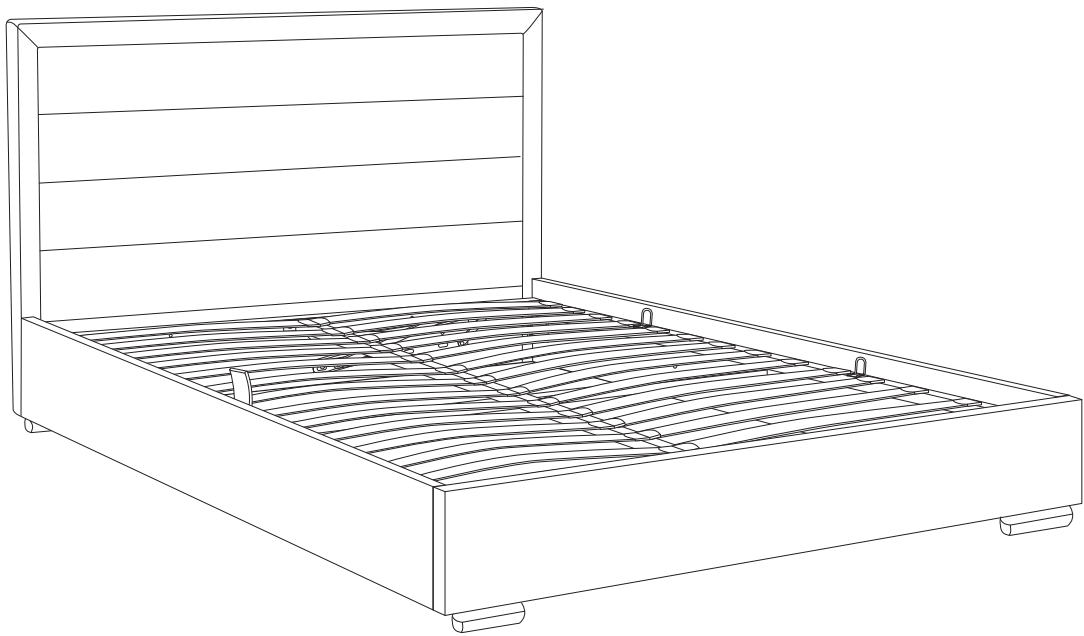
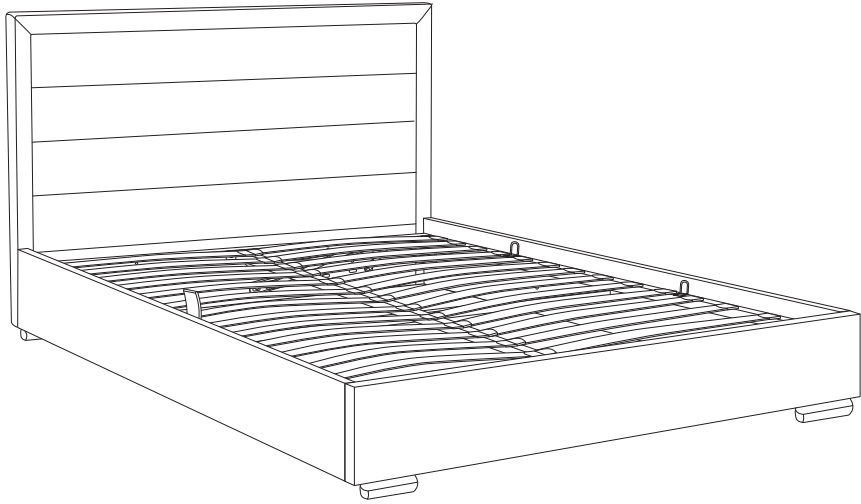
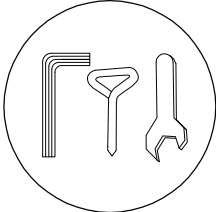
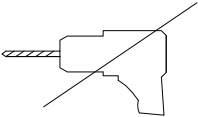


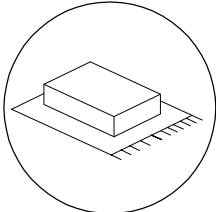
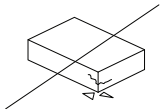
ROUEN




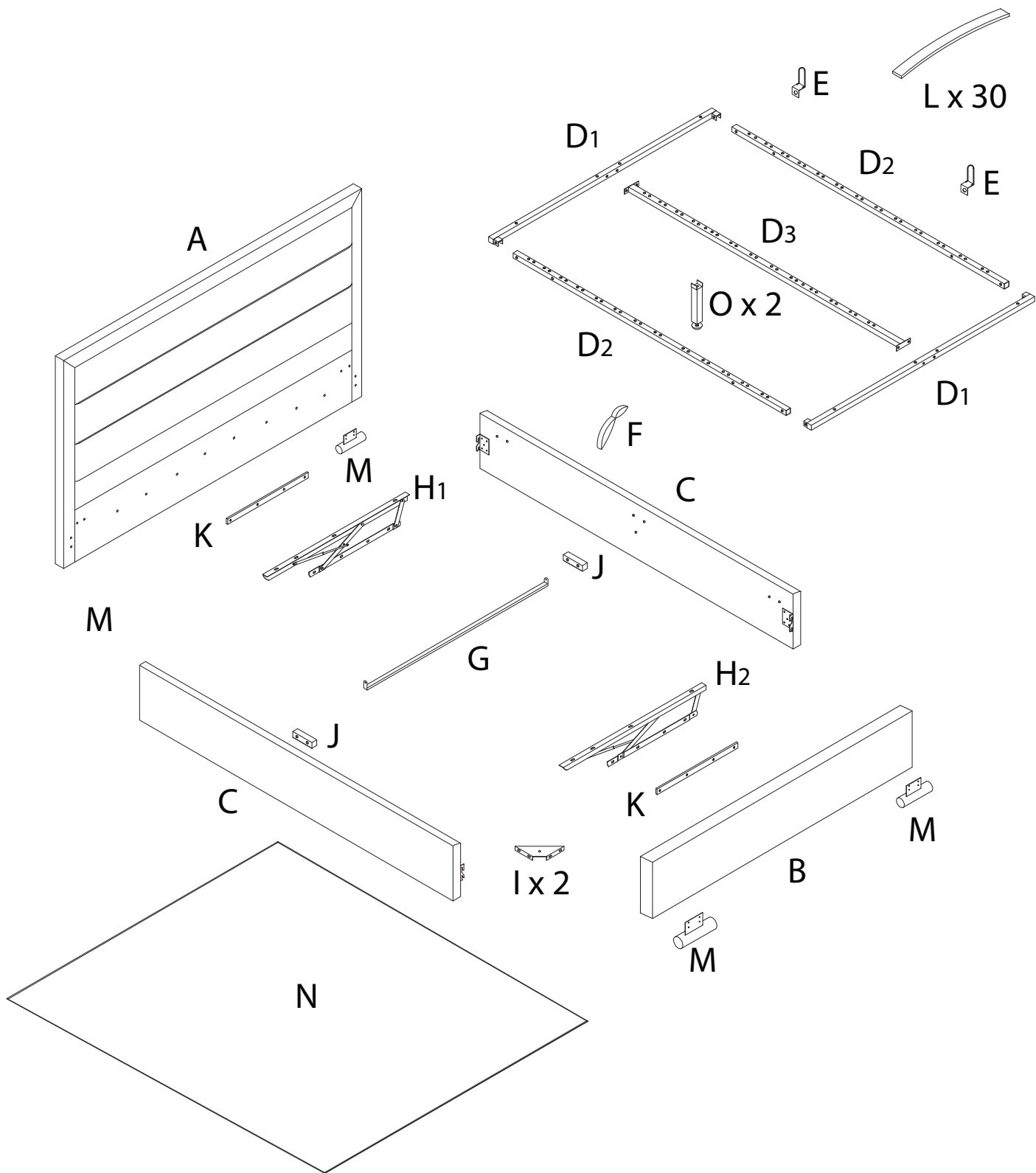


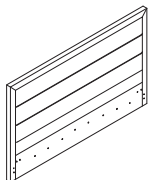
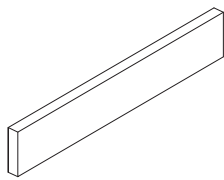
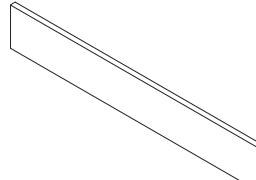
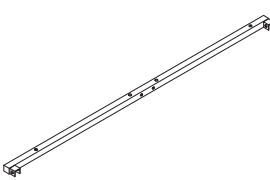
!  

60'

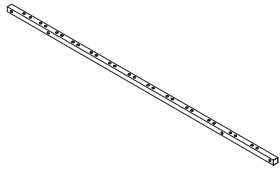
!  


2



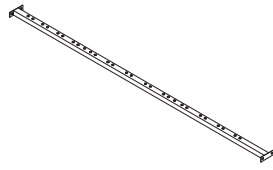
<p>A</p>  <p>x 1</p>	<p>B</p>  <p>x 1</p>	<p>C</p>  <p>x 2</p>	<p>D1</p>  <p>x 2</p>
--	--	---	---

D₂



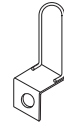
x 2

D₃



x 1

E



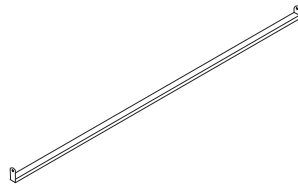
x 2

F



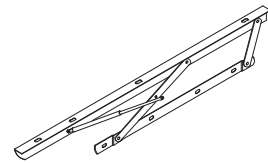
x 1

G



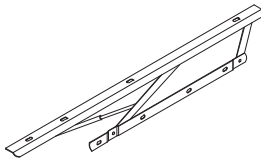
x 1

H₁



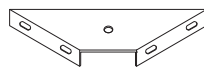
x 1

H₂



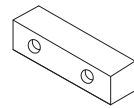
x 1

I



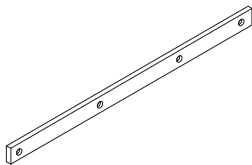
x 2

J



x 2

K



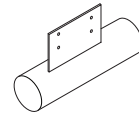
x 2

L



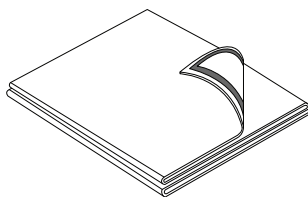
x 30

M



x 4

N



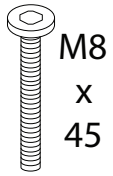
x 1

O



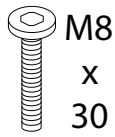
x 2

1



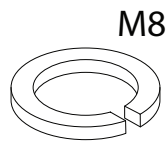
x 20

2



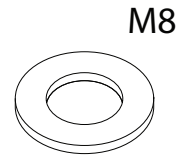
x 8

3



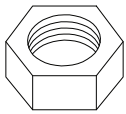
x 28

4



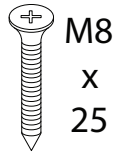
x 28

5



x 14

6



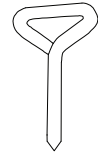
x 16

7



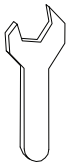
x 1

8



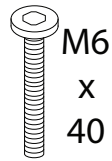
x 1

9



x 1

10



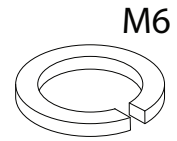
x 8

11



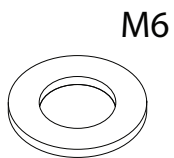
x 10

12



x 18

13



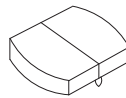
x 18

14



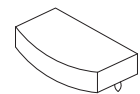
x 1

15



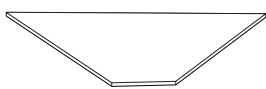
x 15

16



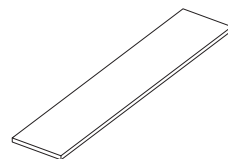
x 30

17



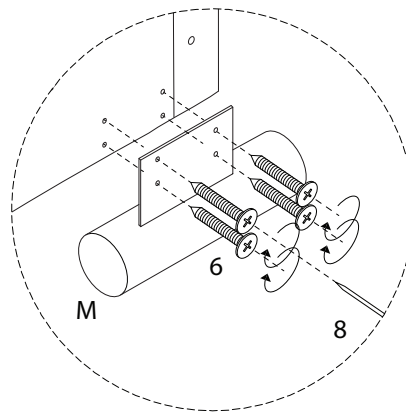
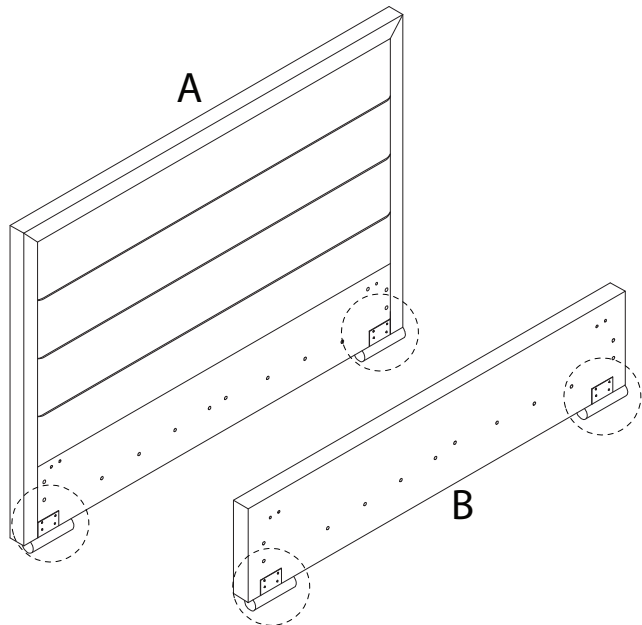
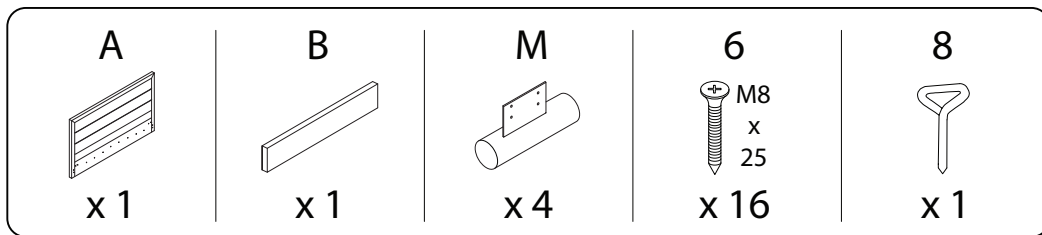
x 2

18

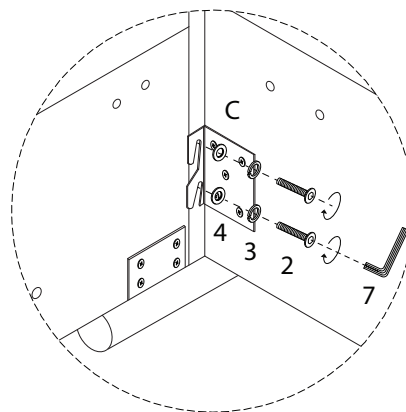
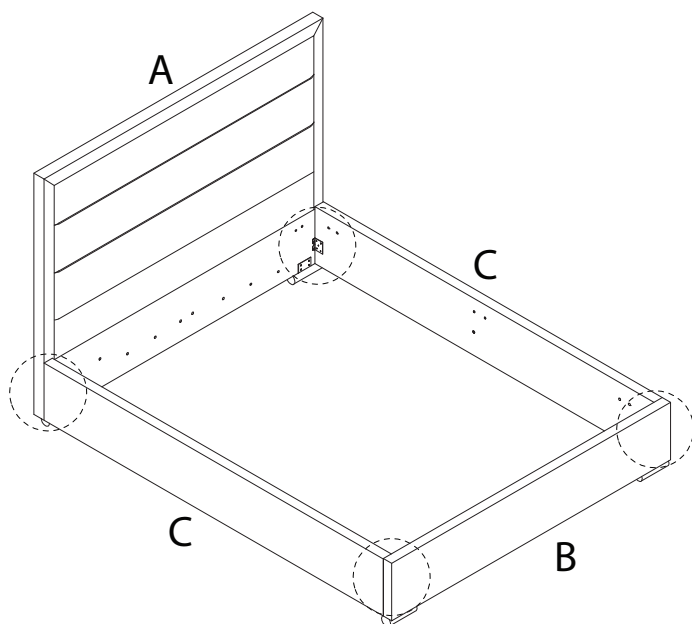
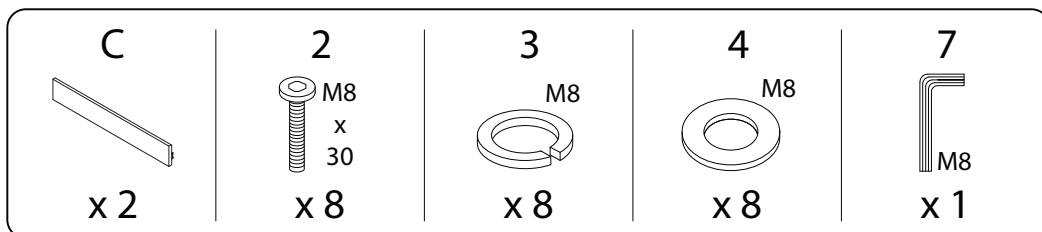


x 3

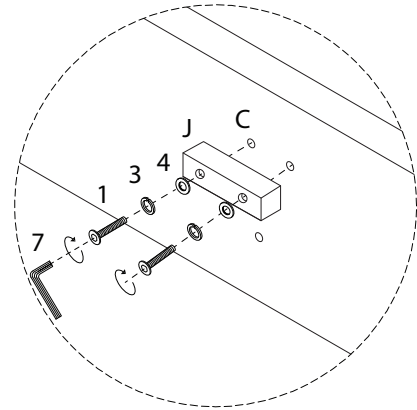
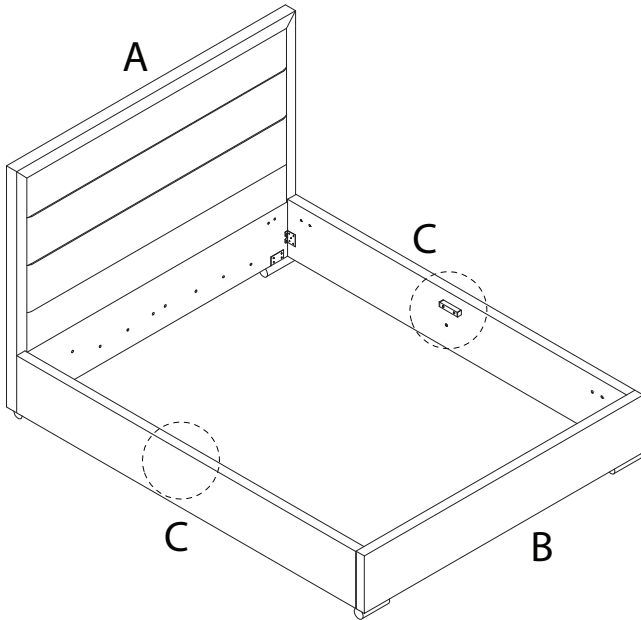
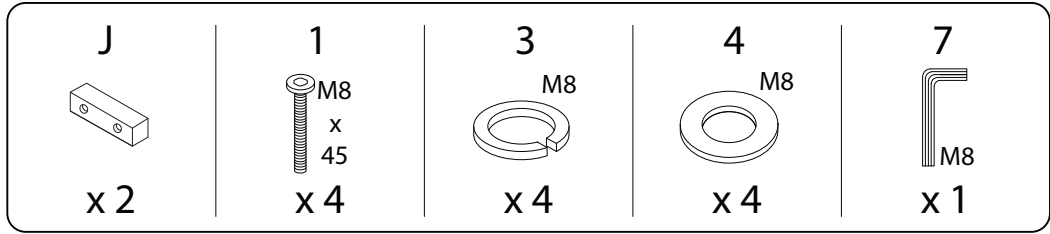
1



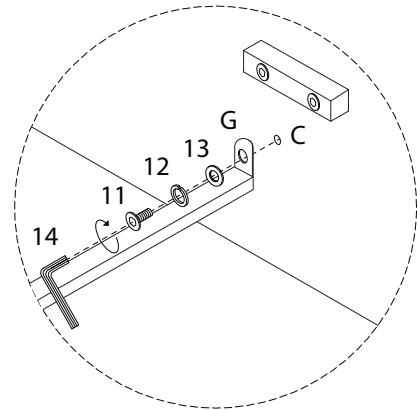
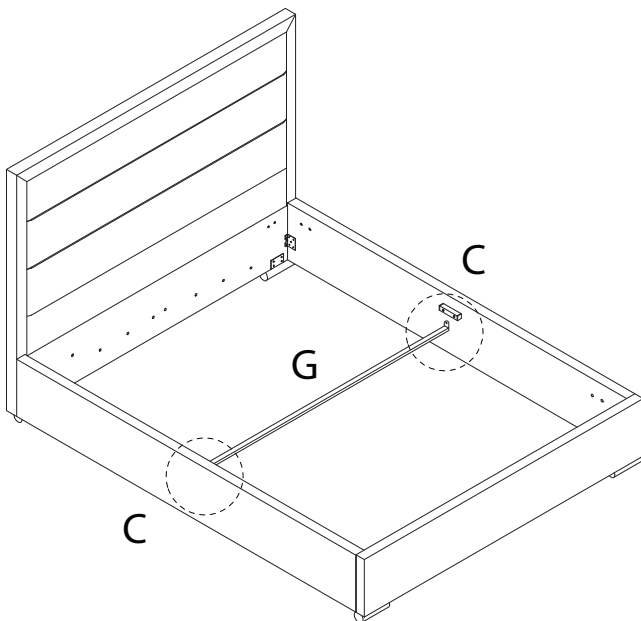
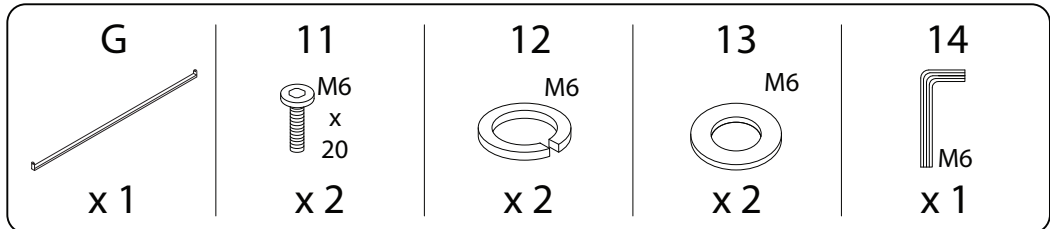
2



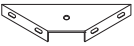

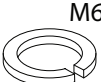

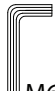
3

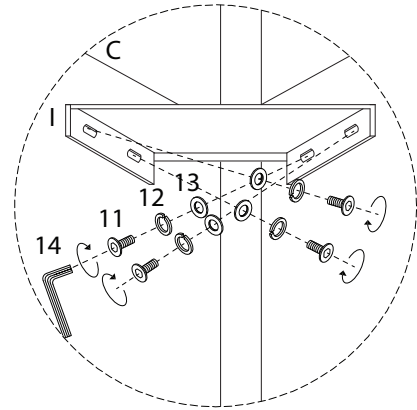
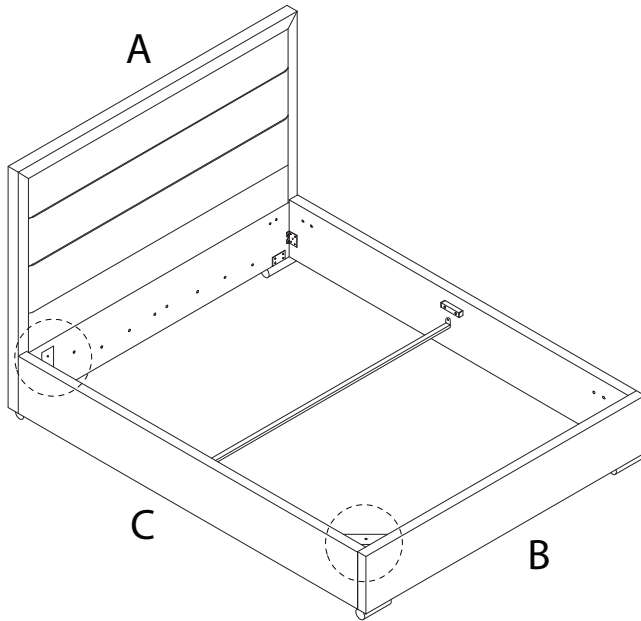


4

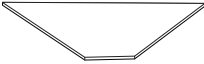


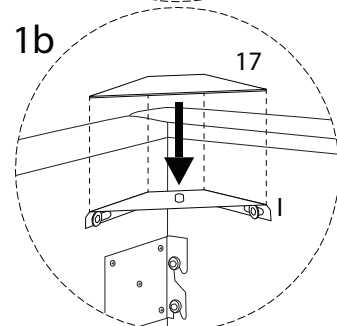
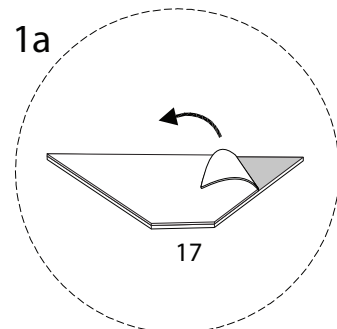
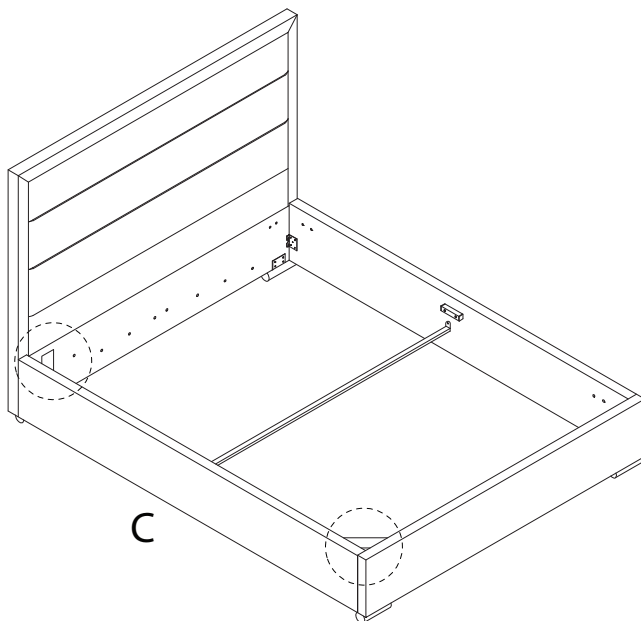
5

<p>I</p>  <p>x 2</p>	<p>11</p>  <p>M6 x 20</p> <p>x 8</p>	<p>12</p>  <p>M6</p> <p>x 8</p>	<p>13</p>  <p>M6</p> <p>x 8</p>	<p>14</p>  <p>M6</p> <p>x 1</p>
---	---	--	--	--

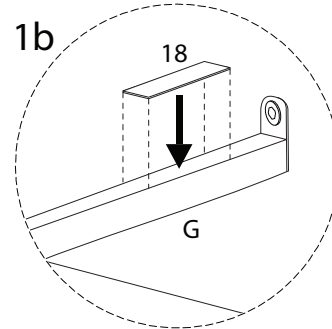
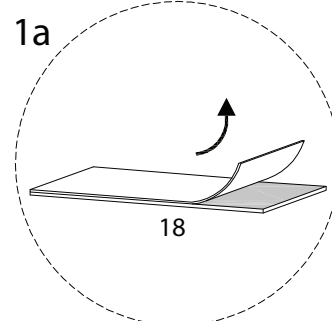
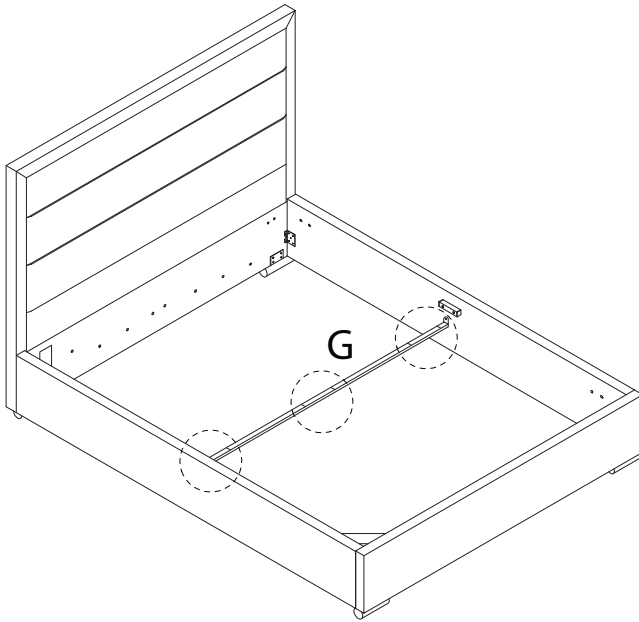
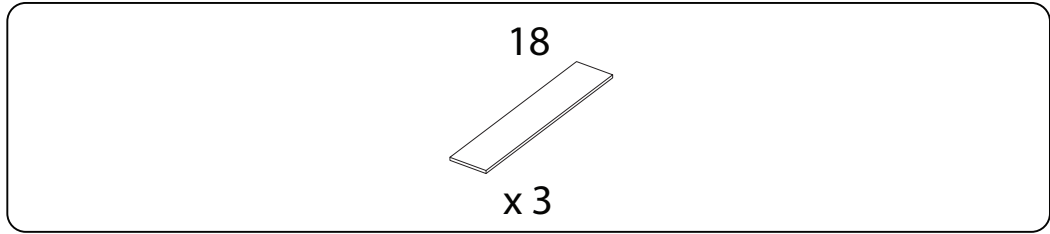


6

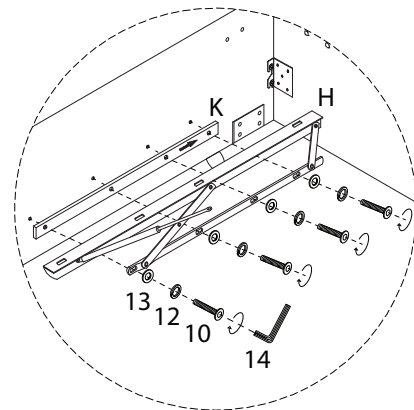
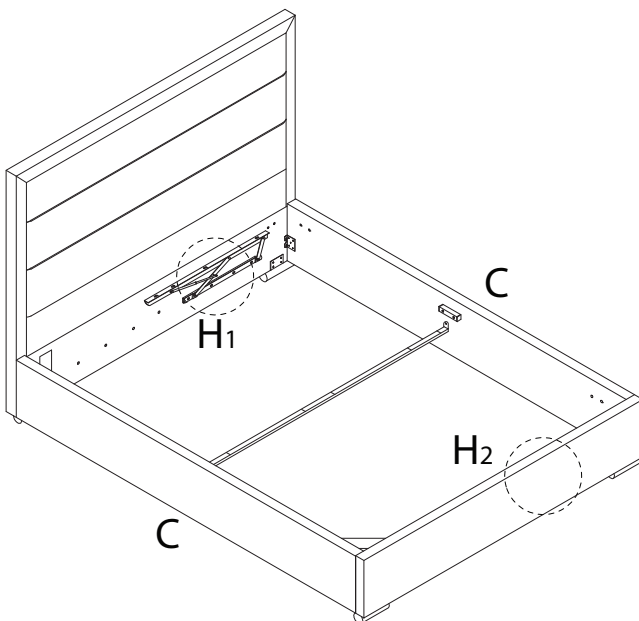
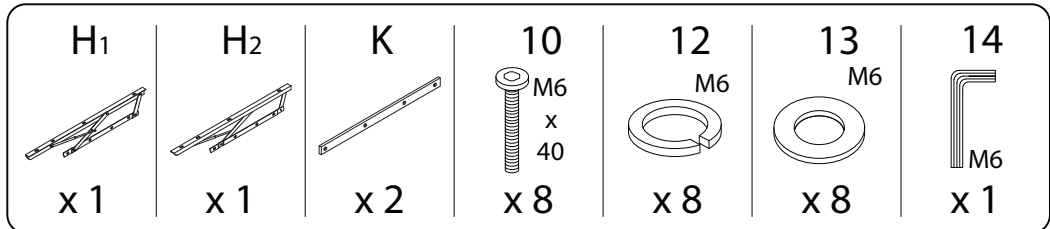
<p>17</p>  <p>x 2</p>
--



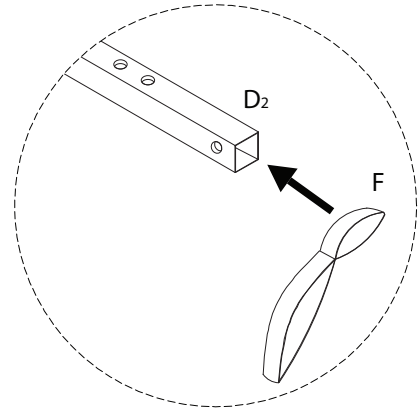
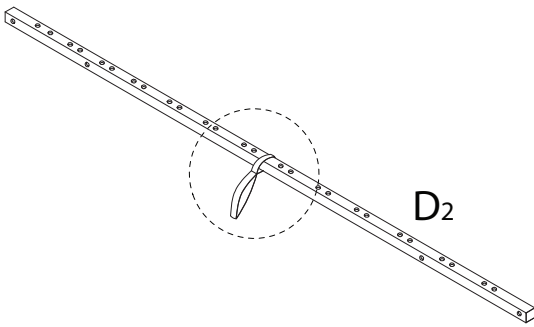
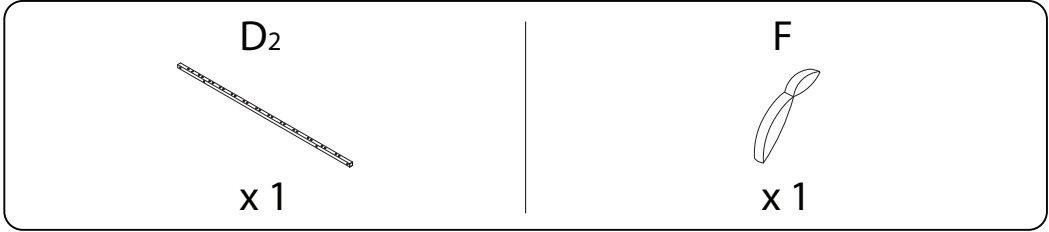
7



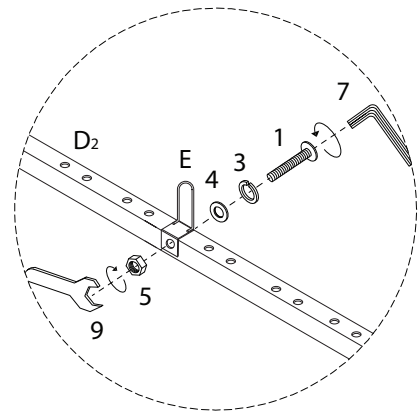
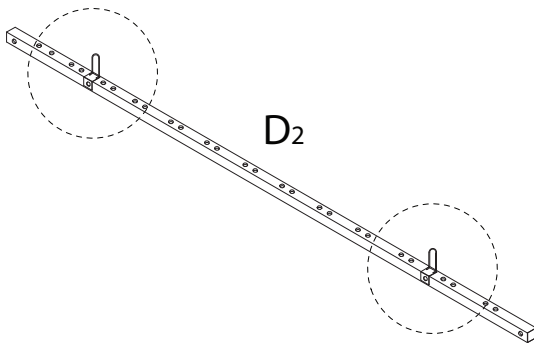
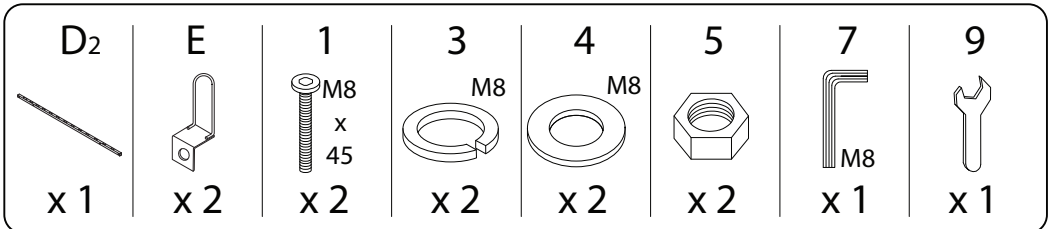
8



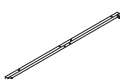



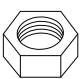
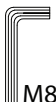

9

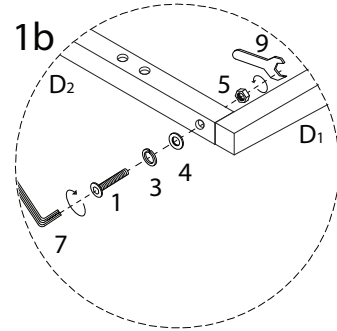
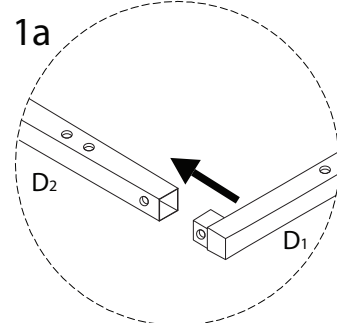
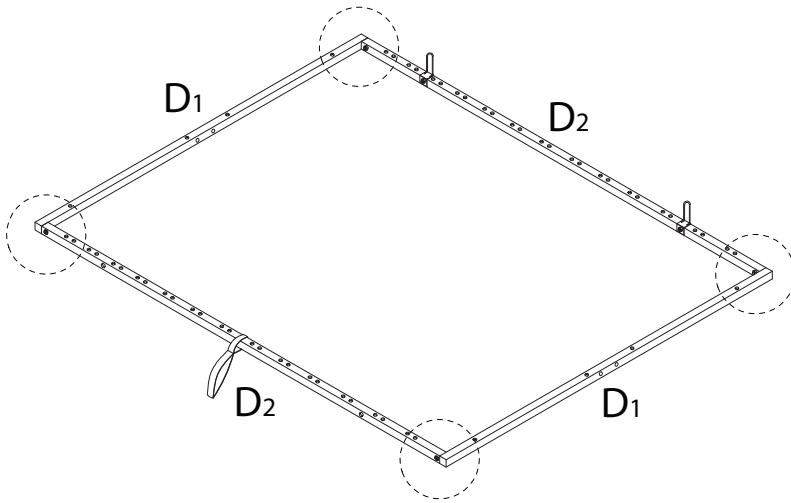


10



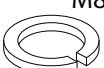

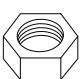
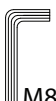



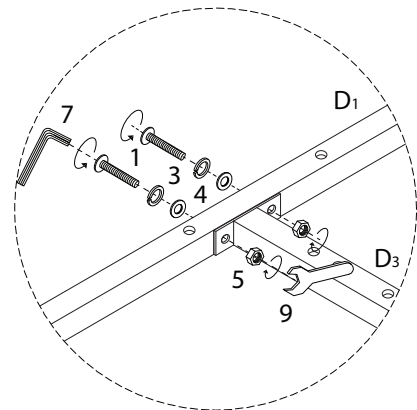
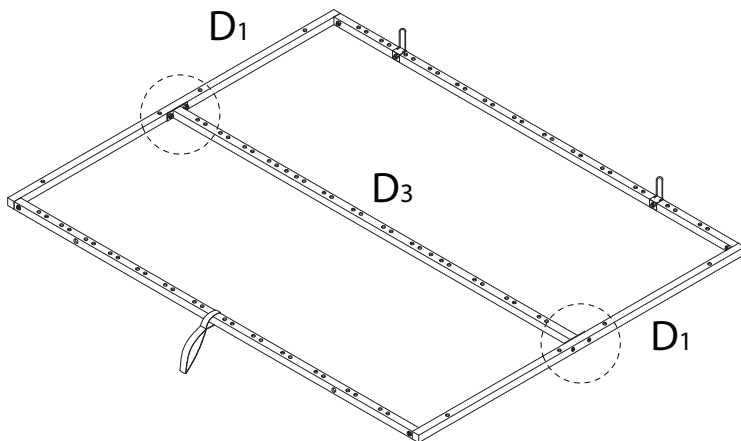
11

D1	1	3	4	5	7	9
						
x 2	M8 x 45 x 4	M8 x 4	M8 x 4	x 4	M8 x 1	x 1



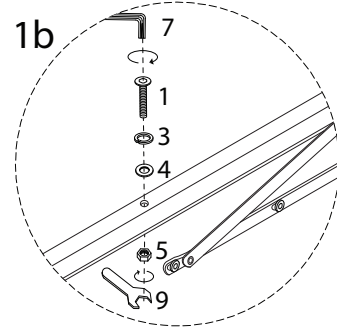
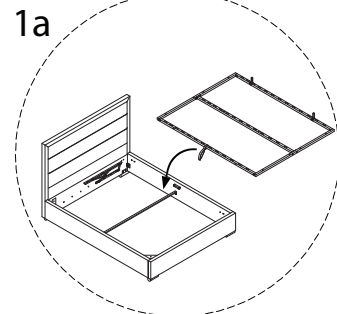
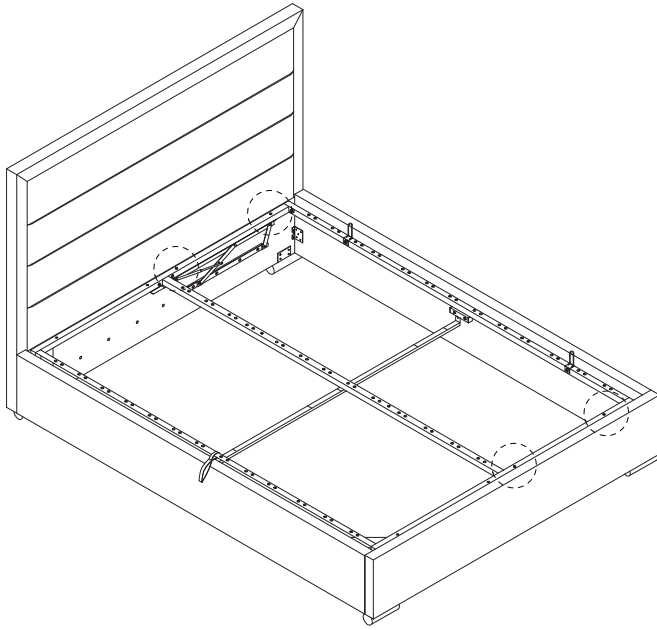
12

D3	1	3	4	5	7	9
						
x 1	M8 x 45 x 4	M8 x 4	M8 x 4	x 4	M8 x 1	x 1



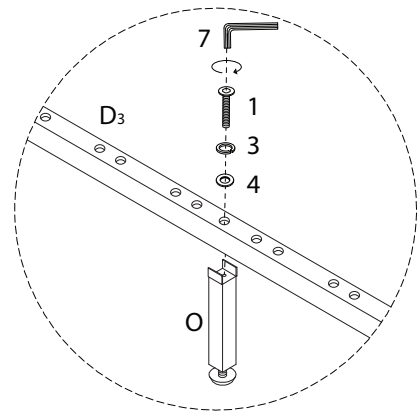
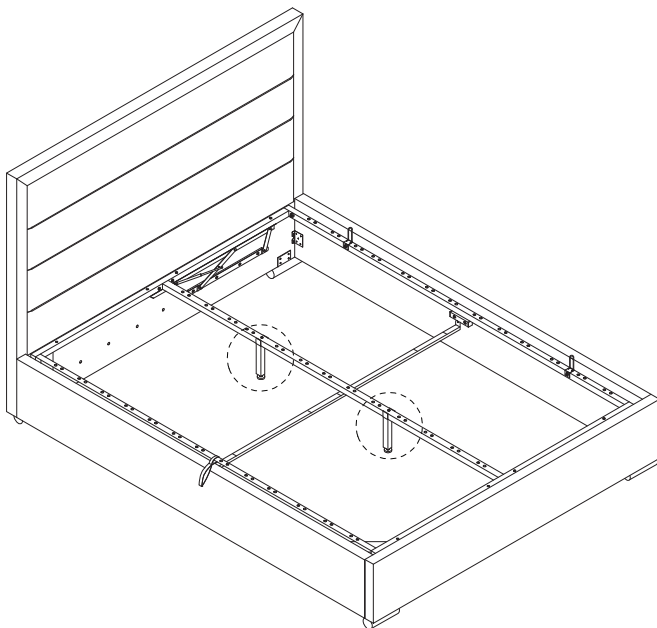
13

1 M8 x 45 x 4	3 M8 x 4	4 M8 x 4	5 x 4	7 M8 x 1	9 x 1
------------------------	----------------	----------------	----------	----------------	----------

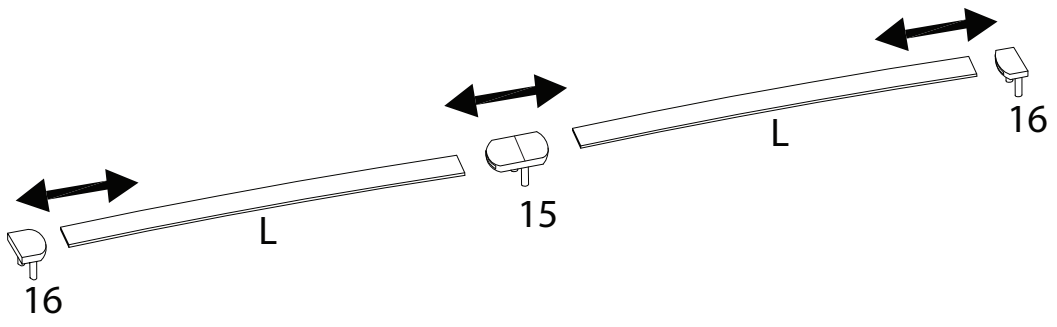
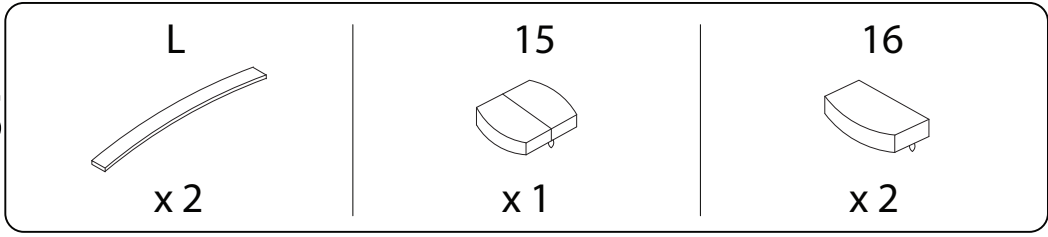


14

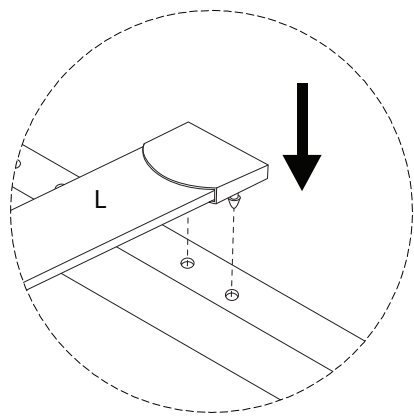
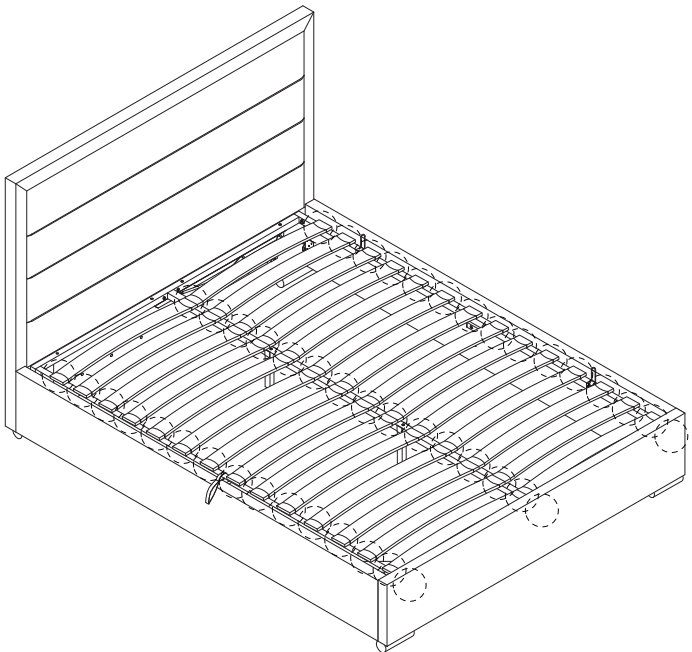
0 x 2	1 M8 x 45 x 2	3 M8 x 2	4 M8 x 2	7 M8 x 1
----------	------------------------	----------------	----------------	----------------



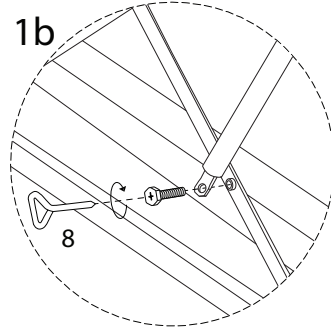
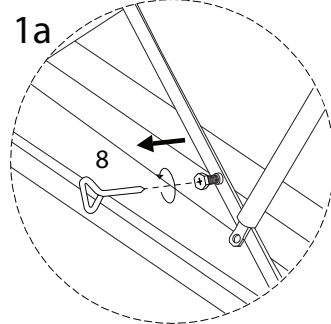
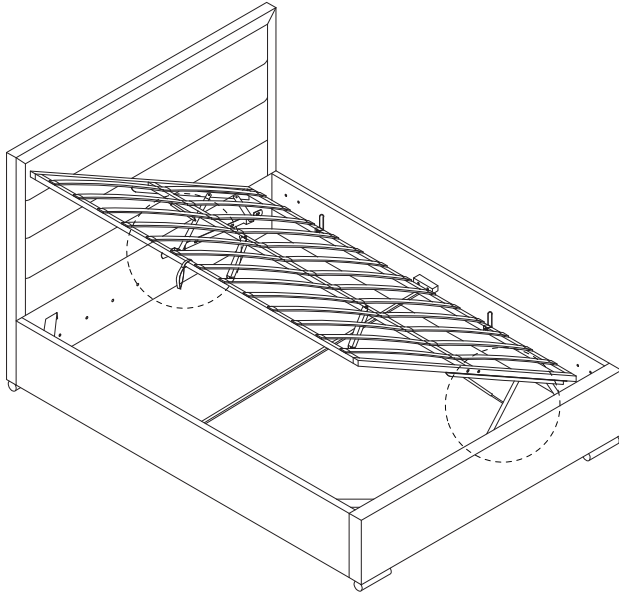
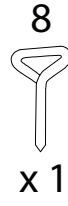
15 x 15



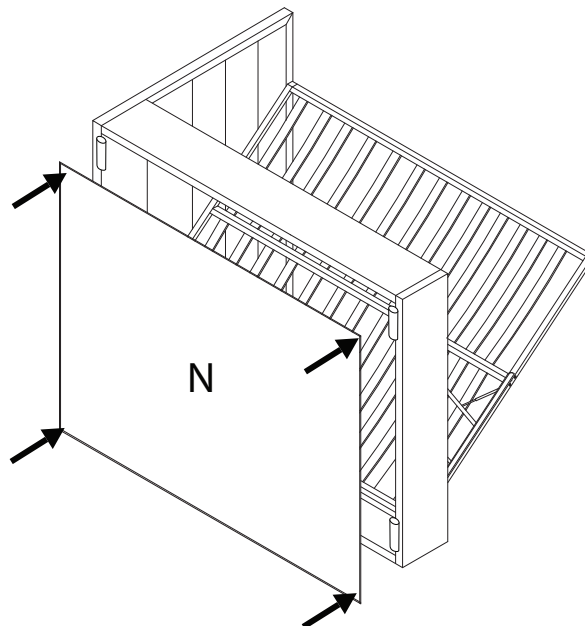
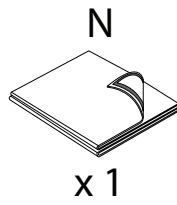
16



17



18



!

