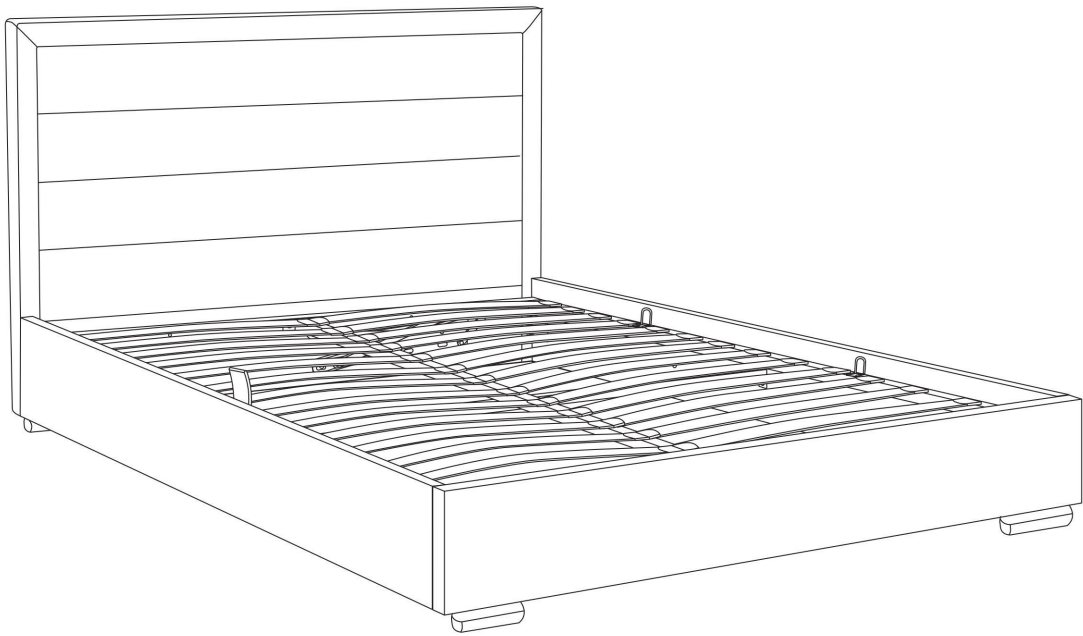
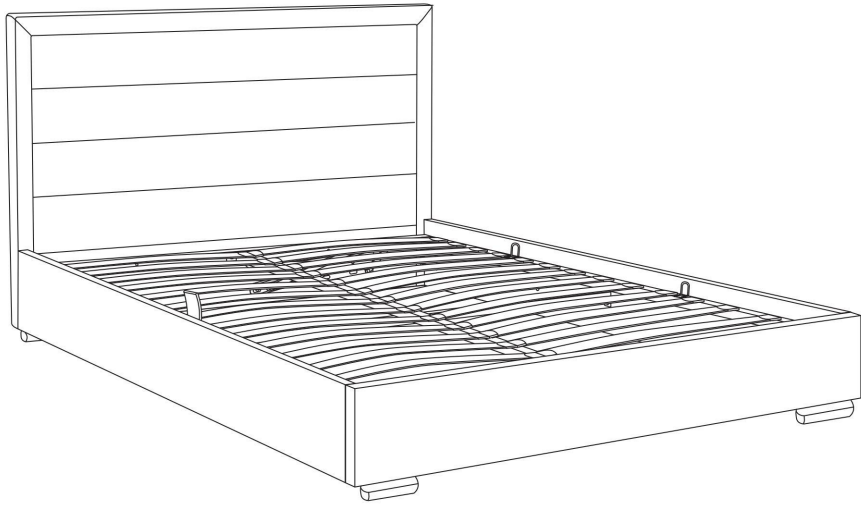


# ROUEN





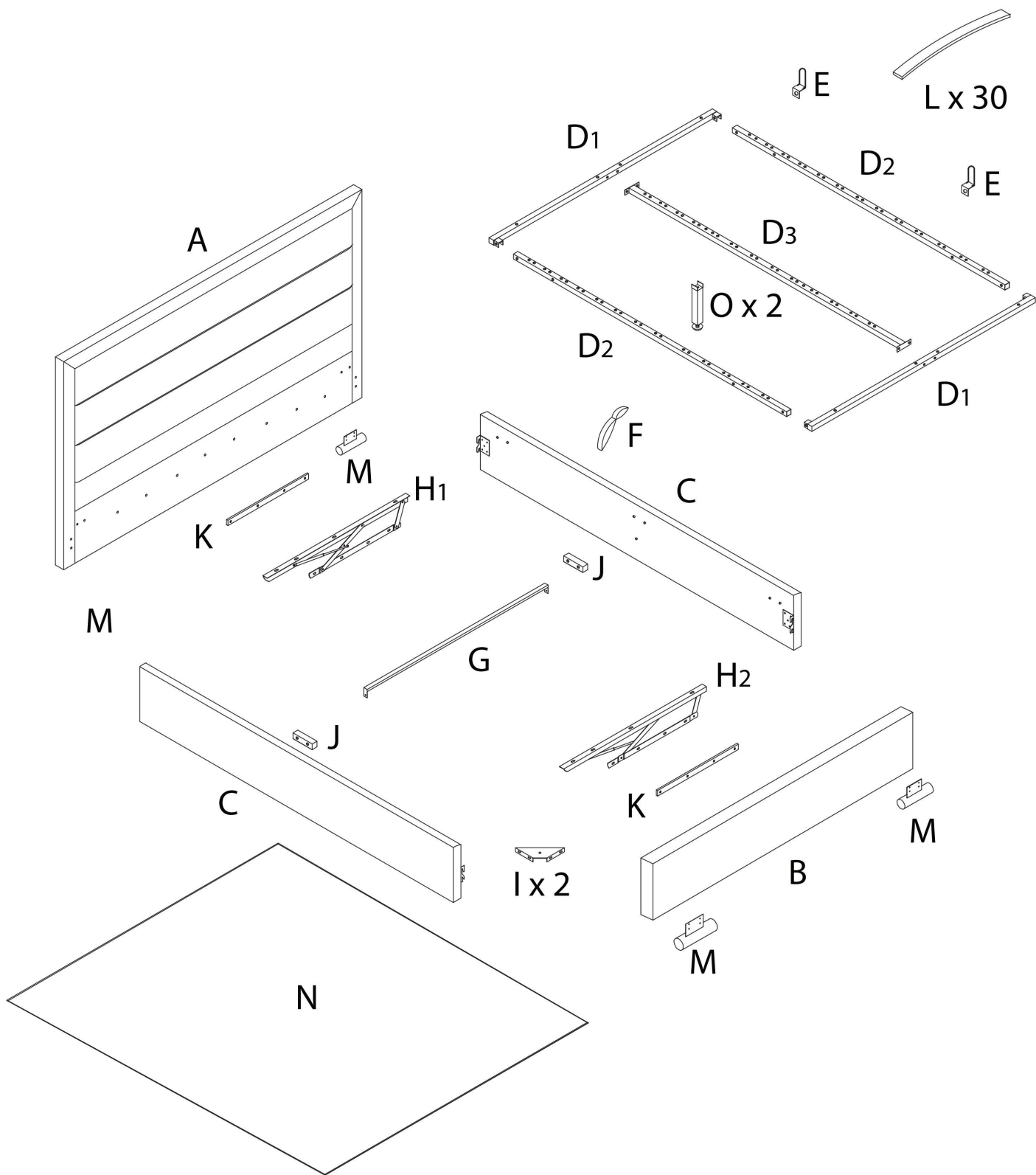
Assembly instructions for the bed frame, including tool requirements, time, and personnel.

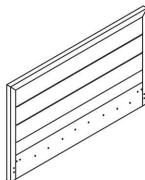
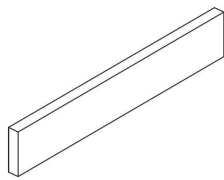
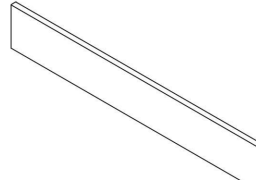
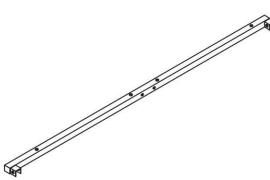
**Tools:** A circle containing an Allen key, a T-handle screwdriver, and a wrench. A power drill is shown with a diagonal line through it, indicating it is not required.

**Time:** A clock icon with the text "60'" below it, indicating an estimated assembly time of 60 minutes.

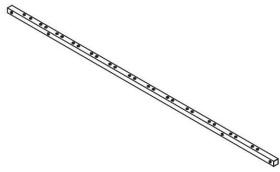
**Personnel:** A person icon with the text "2" below it, indicating that two people are required for assembly.

**Warnings:** Two warning triangles (exclamation marks) are present. The top one is connected to the tools section, and the bottom one is connected to the personnel section.



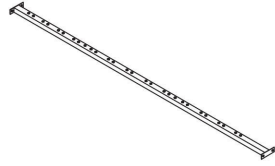
<p><b>A</b></p>  <p><b>x 1</b></p>	<p><b>B</b></p>  <p><b>x 1</b></p>	<p><b>C</b></p>  <p><b>x 2</b></p>	<p><b>D1</b></p>  <p><b>x 2</b></p>
---	---	--	--

D<sub>2</sub>



x 2

D<sub>3</sub>



x 1

E



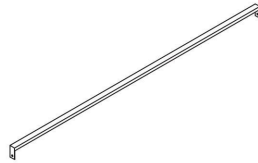
x 2

F



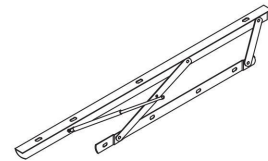
x 1

G



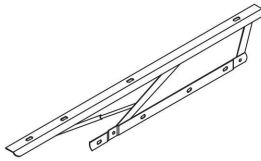
x 1

H<sub>1</sub>



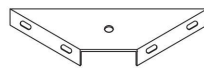
x 1

H<sub>2</sub>



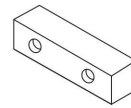
x 1

I



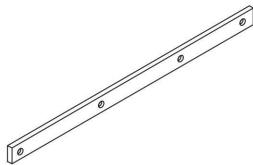
x 2

J



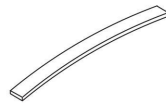
x 2

K



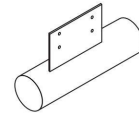
x 2

L



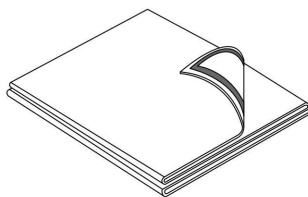
x 30

M



x 4

N



x 1

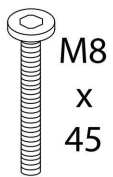
O



x 2

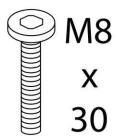


1



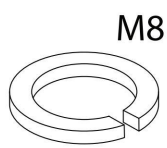
x 20

2



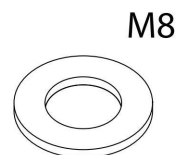
x 8

3



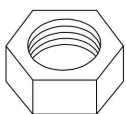
x 28

4



x 28

5



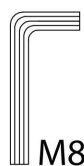
x 14

6



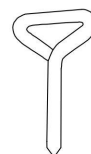
x 16

7



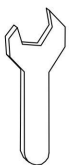
x 1

8



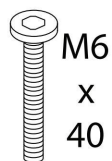
x 1

9



x 1

10



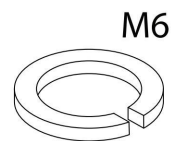
x 8

11



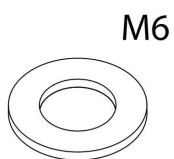
x 10

12



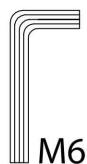
x 18

13



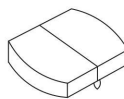
x 18

14



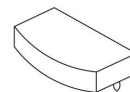
x 1

15



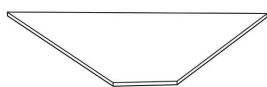
x 15

16



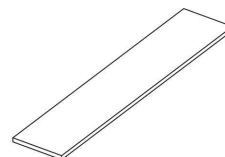
x 30

17



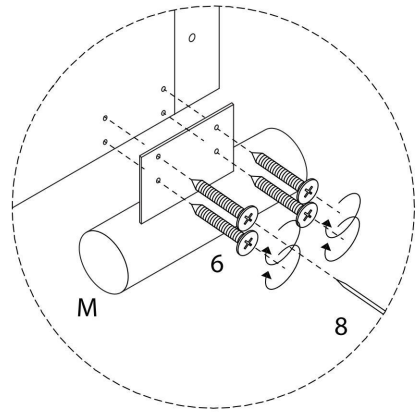
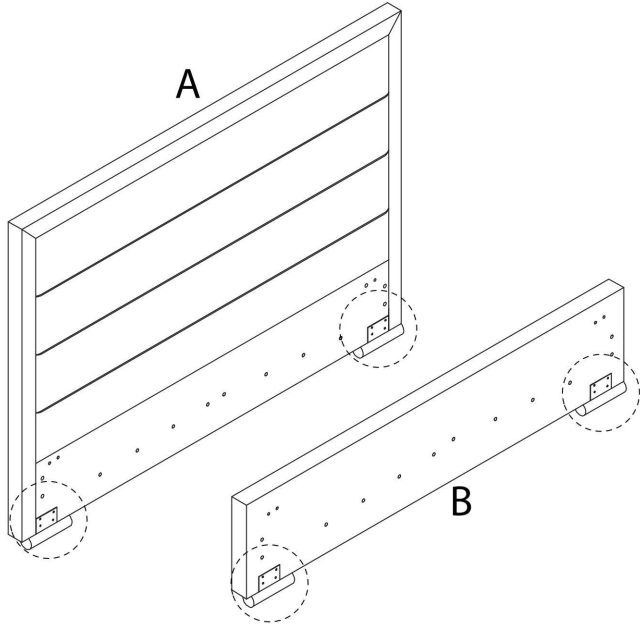
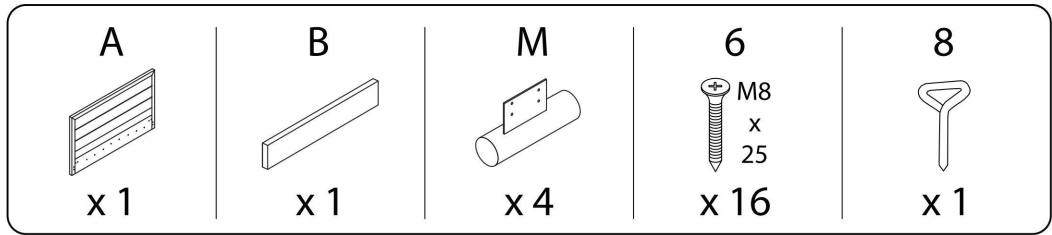
x 2

18

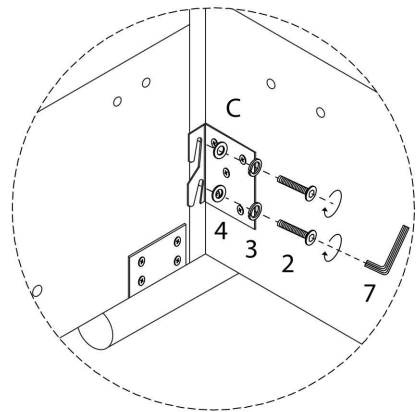
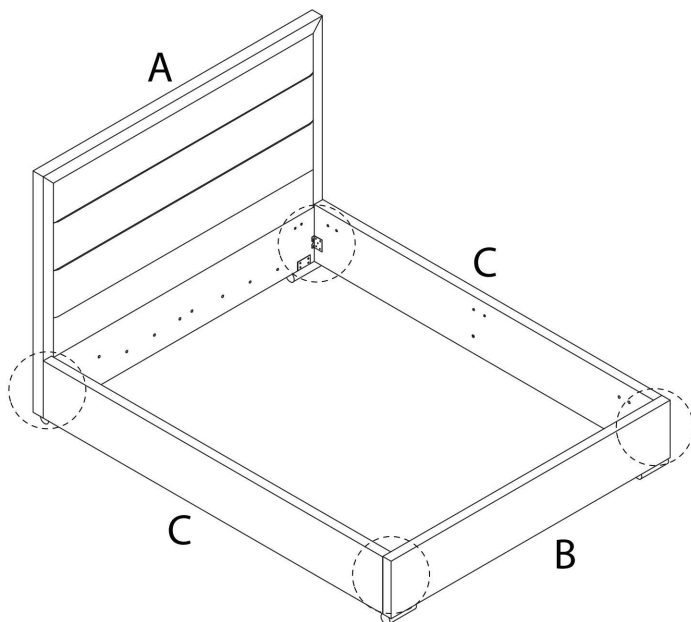
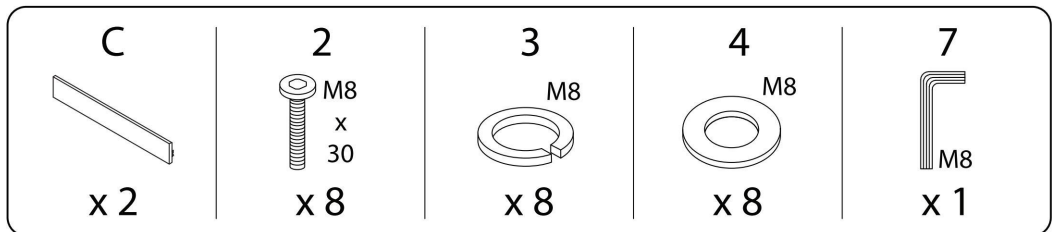


x 3

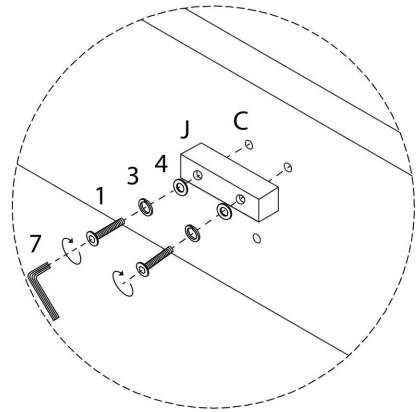
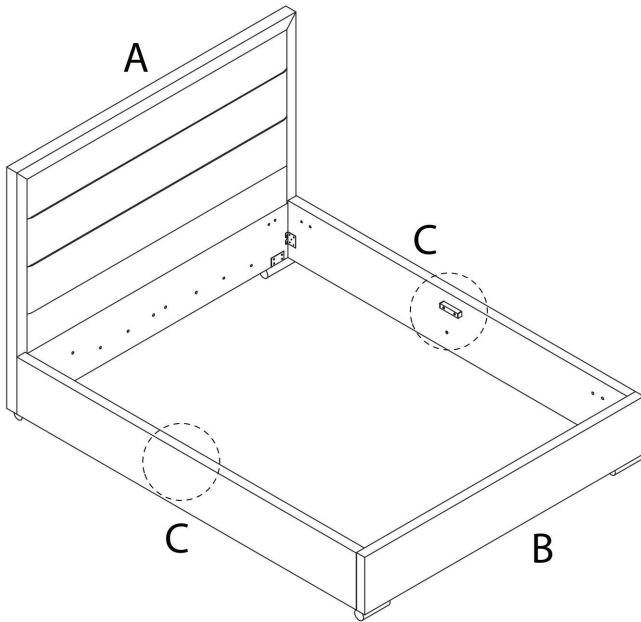
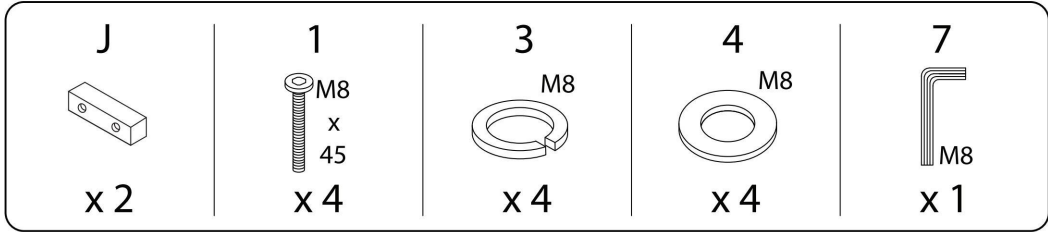
1



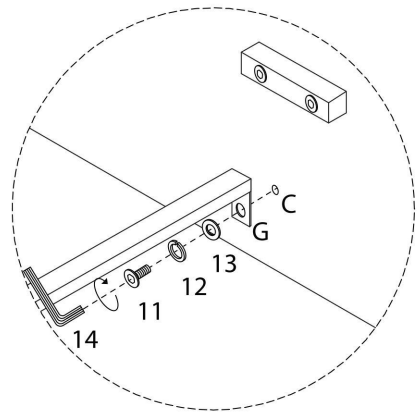
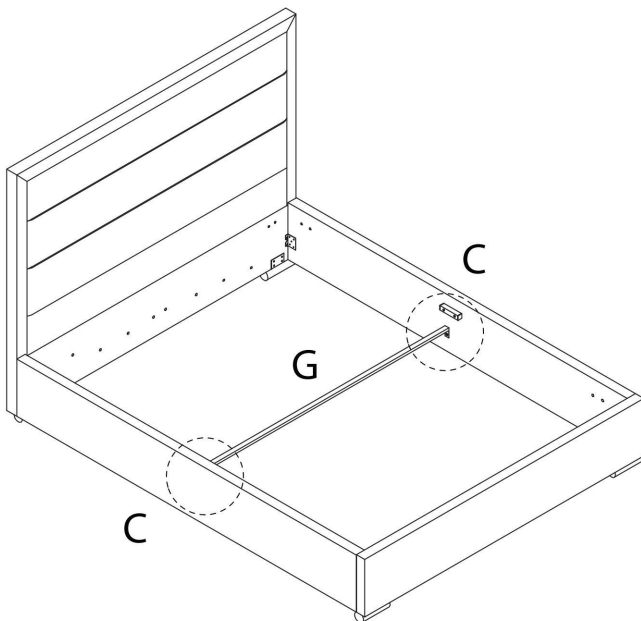
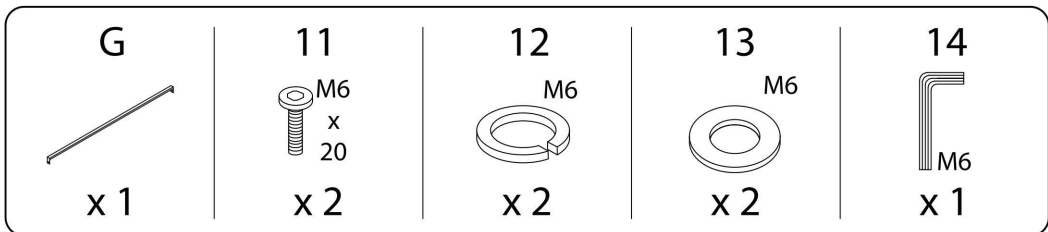
2



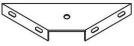

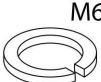


3

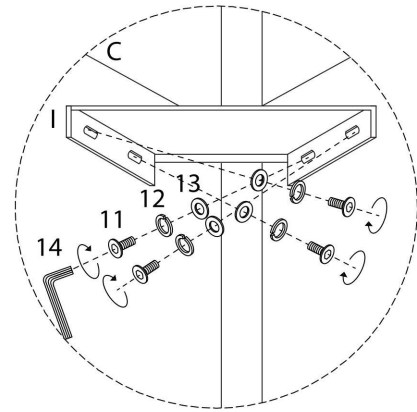
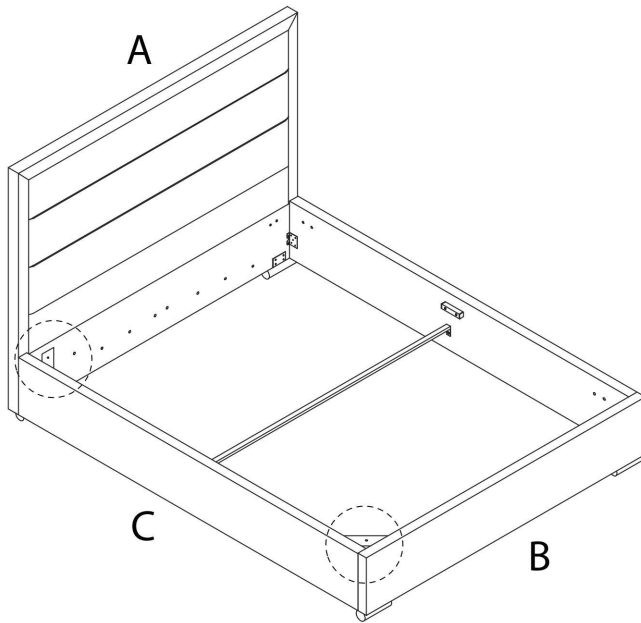


4

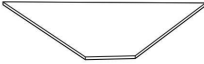


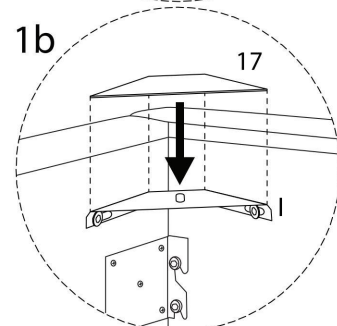
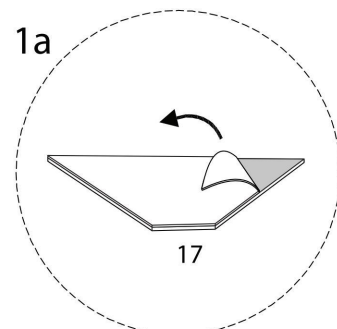
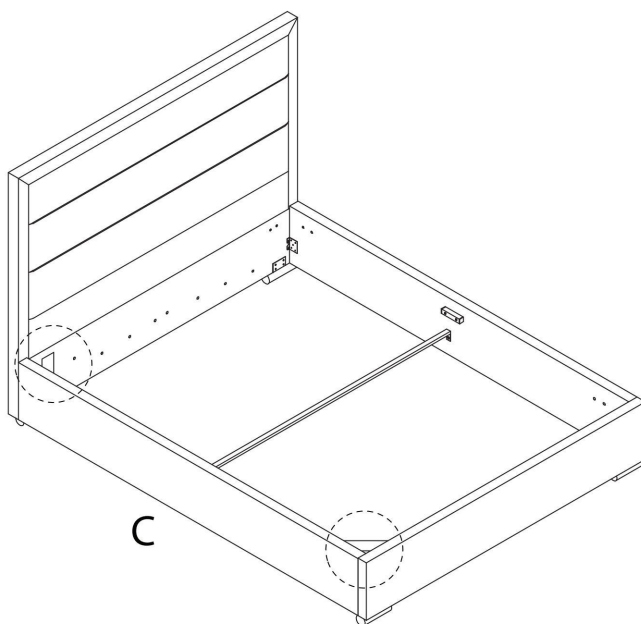
5

<p>I</p>  <p>x 2</p>	<p>11</p>  <p>M6 x 20</p> <p>x 8</p>	<p>12</p>  <p>M6</p> <p>x 8</p>	<p>13</p>  <p>M6</p> <p>x 8</p>	<p>14</p>  <p>M6</p> <p>x 1</p>
---	---	--	--	--

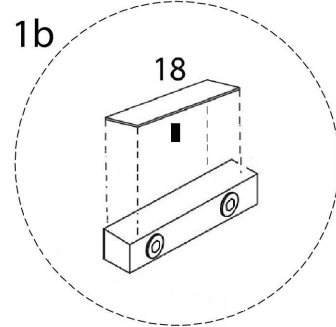
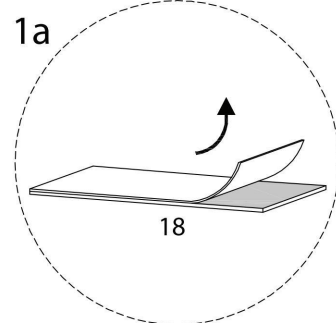
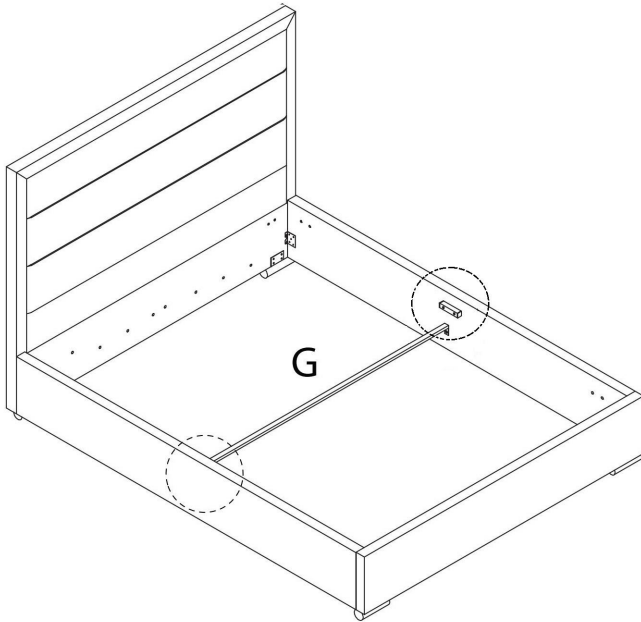
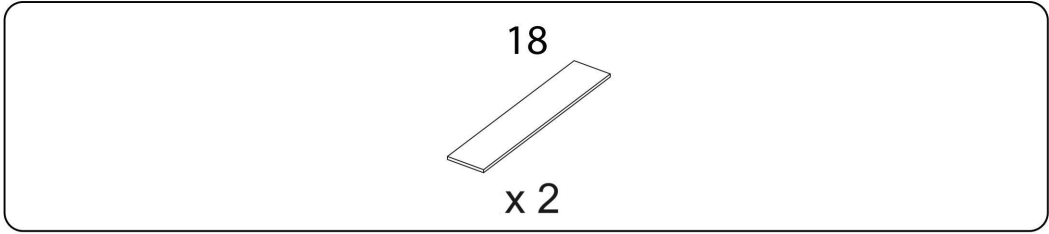


6

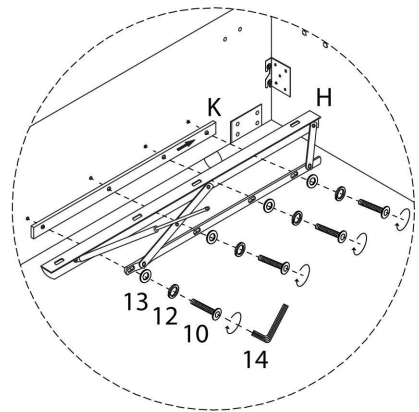
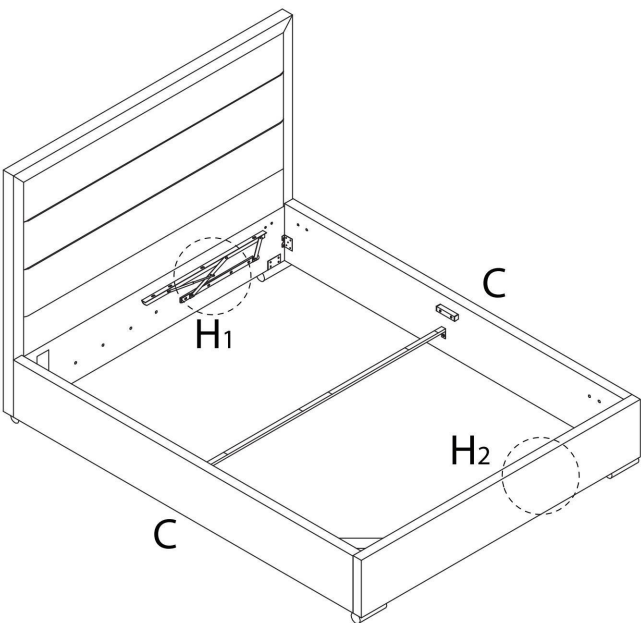
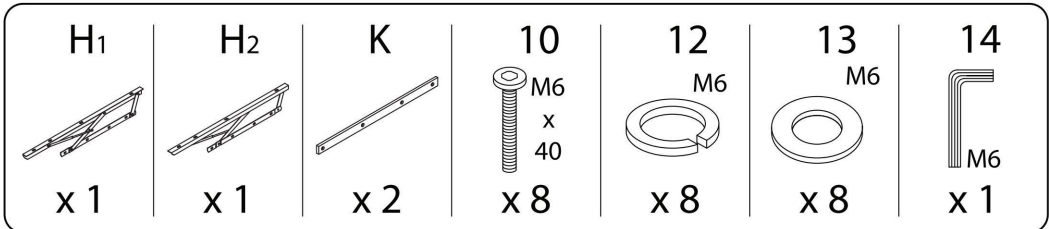
<p>17</p>  <p>x 2</p>
--



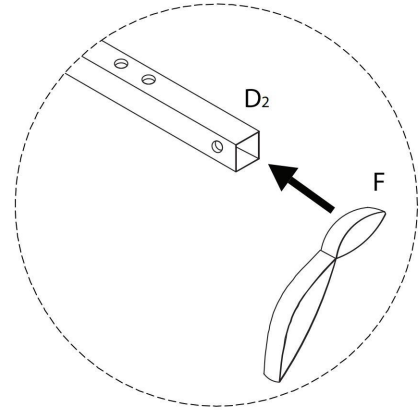
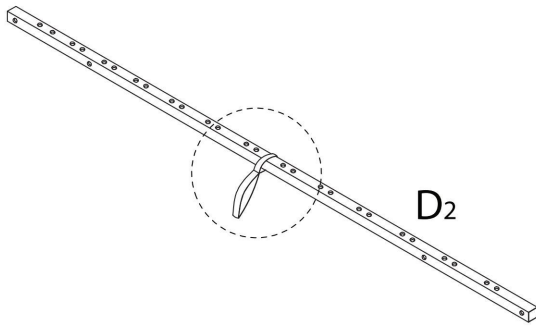
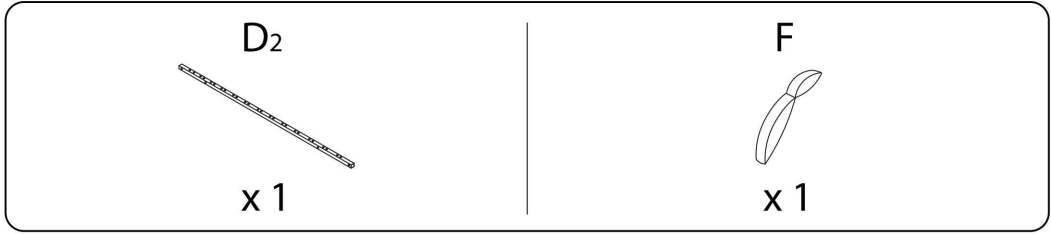
7



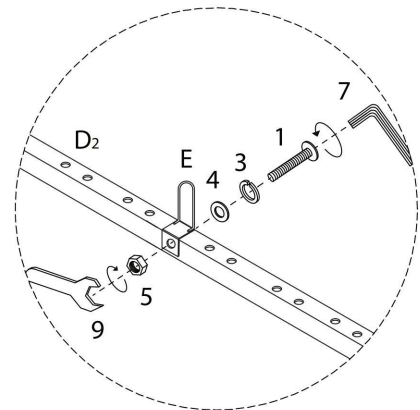
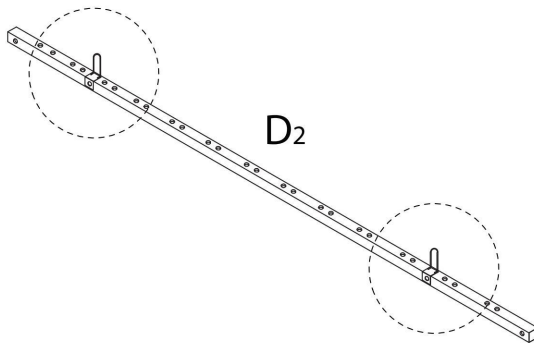
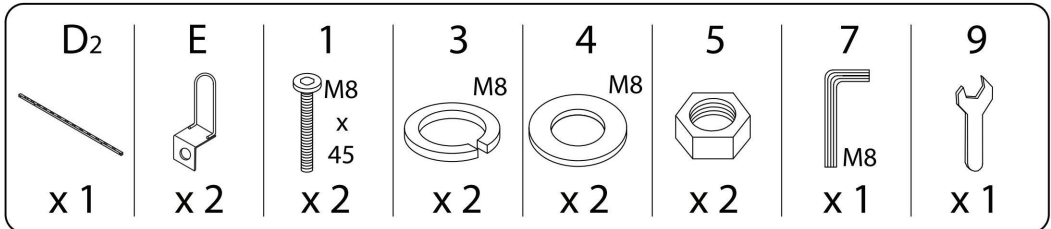
8







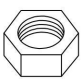
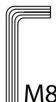

9

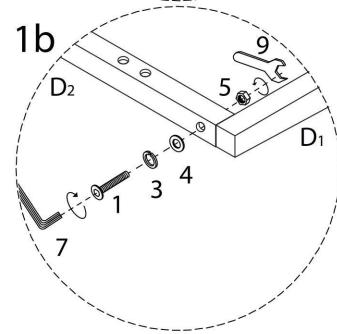
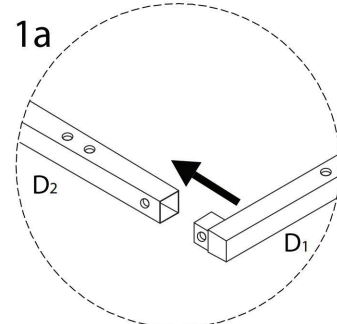
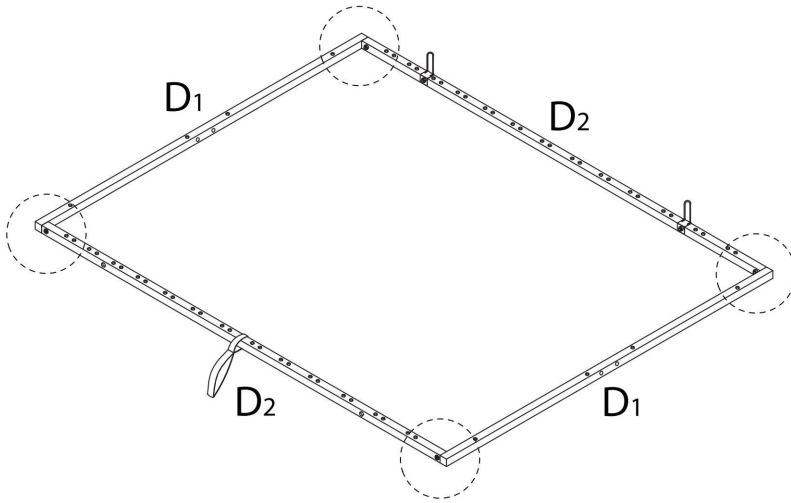


10





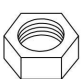
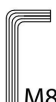



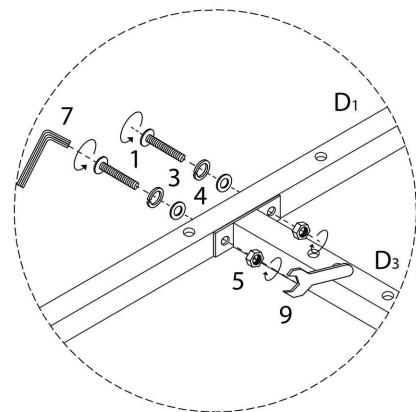
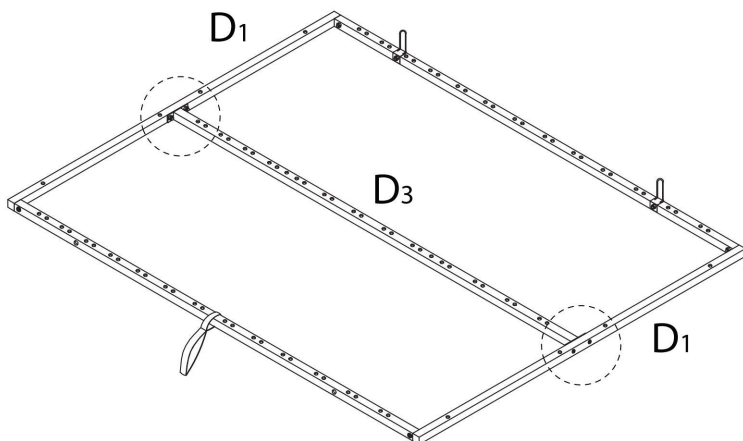
# 11

D1	1	3	4	5	7	9
						
x 2	x 4	x 4	x 4	x 4	x 1	x 1

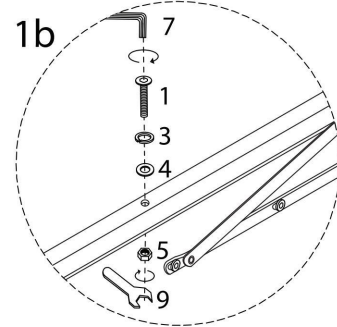
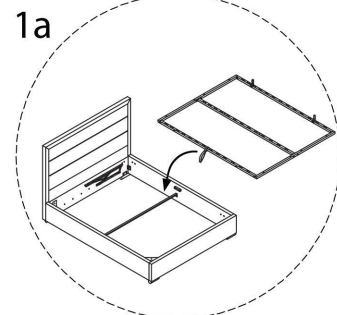
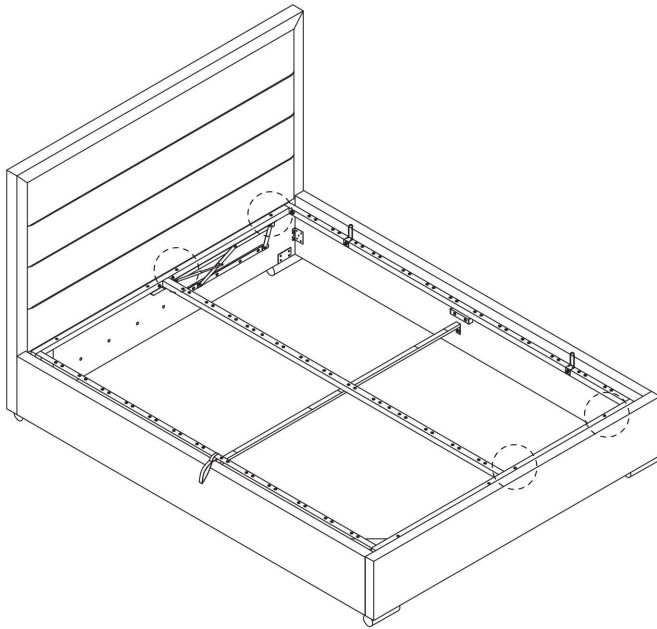
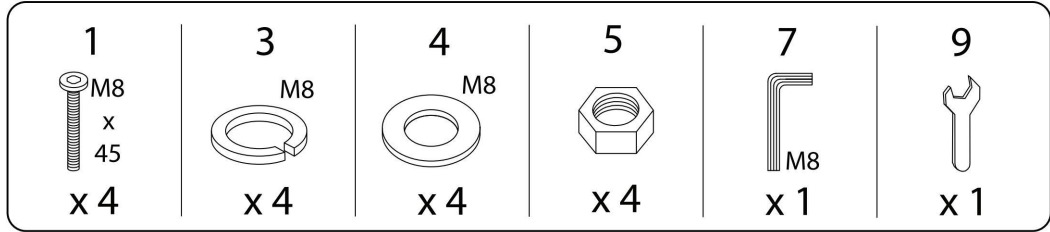


# 12

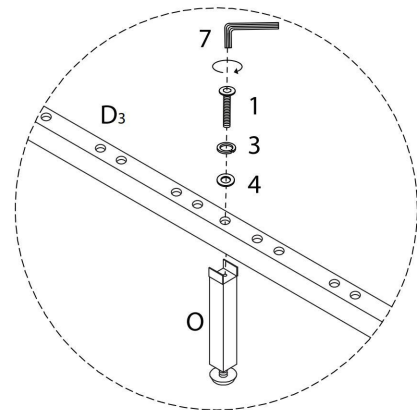
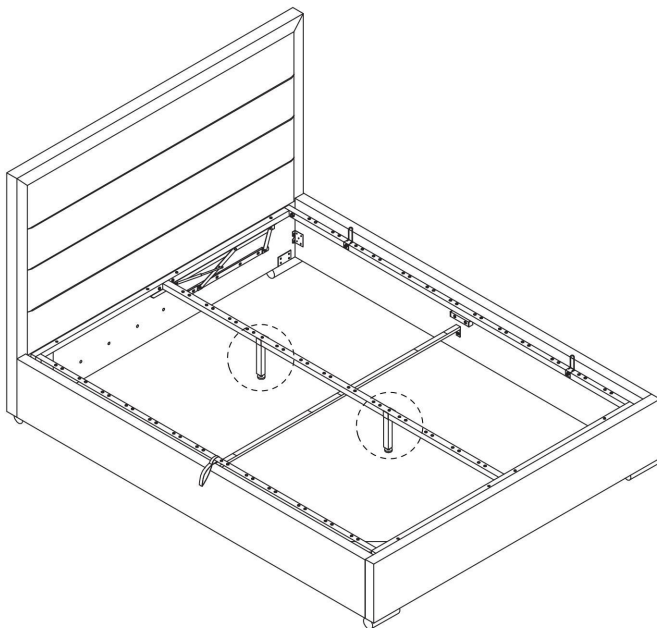
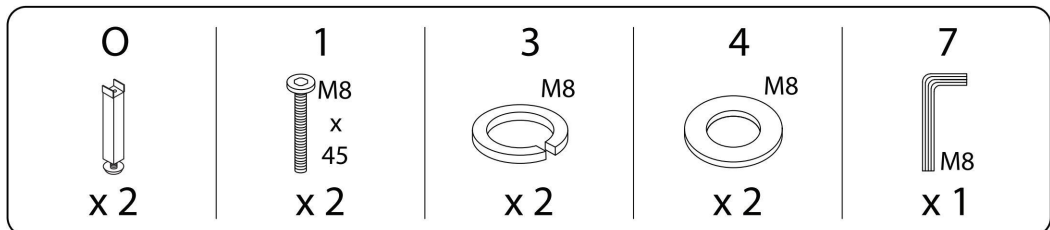
D3	1	3	4	5	7	9
						
x 1	x 4	x 4	x 4	x 4	x 1	x 1



# 13

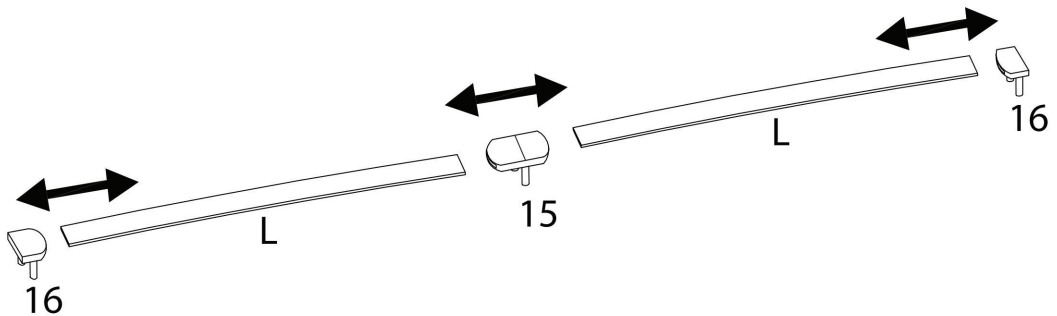
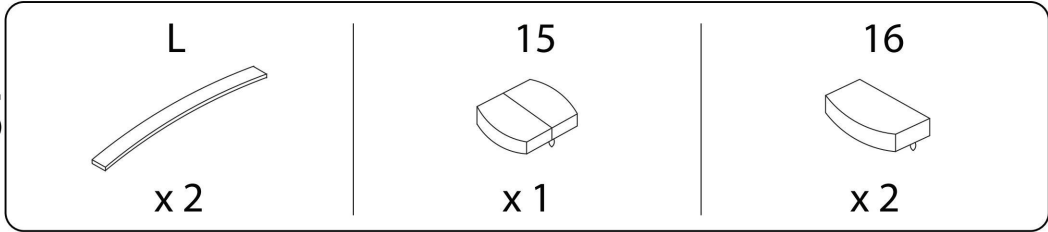


# 14

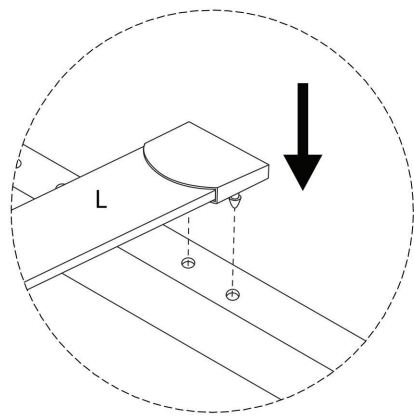
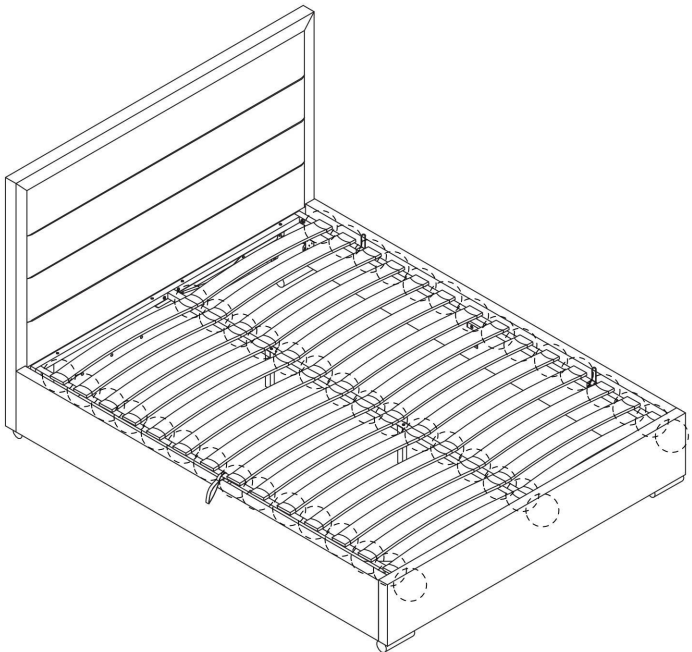




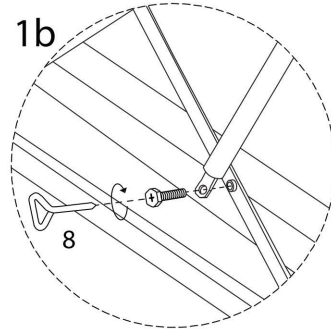
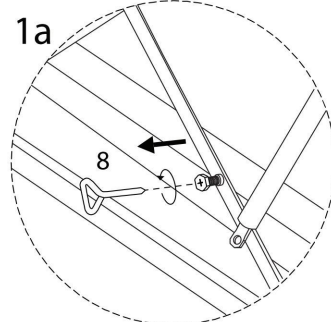
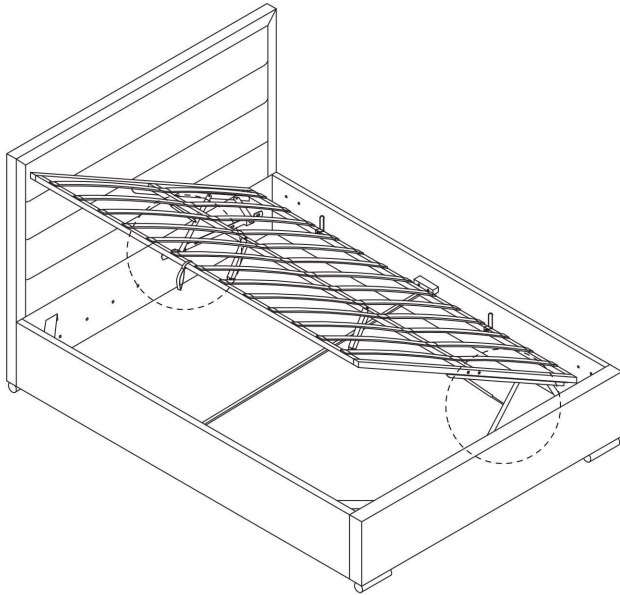
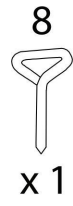
15 x 15



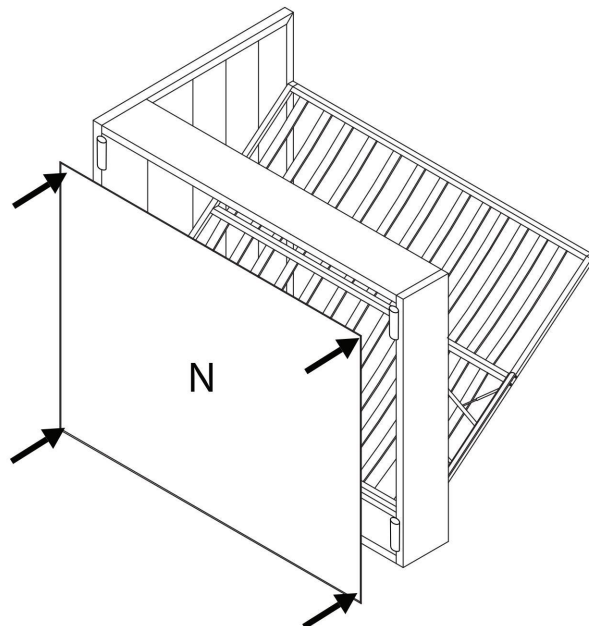
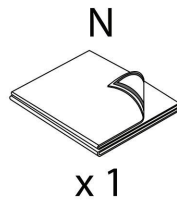
16



17



18



!

