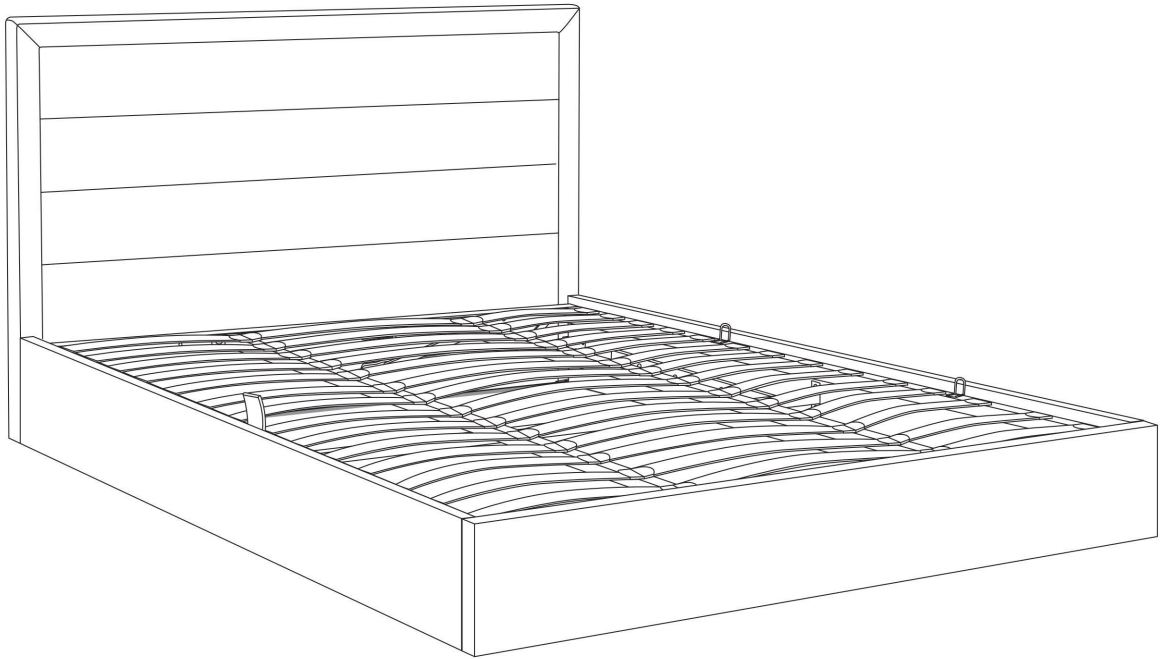
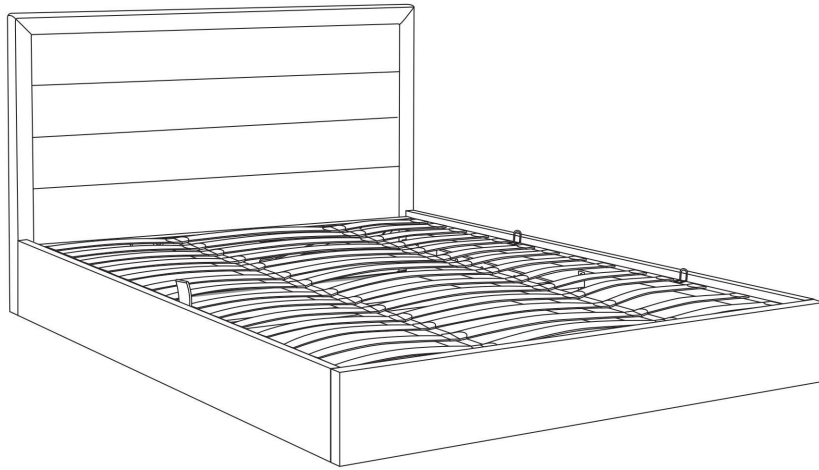
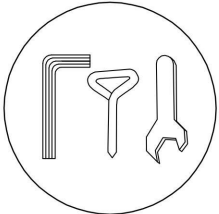
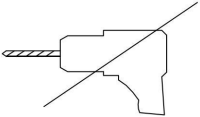

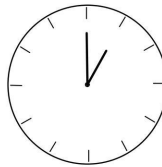
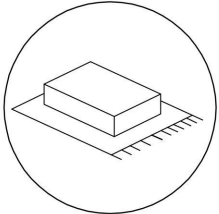
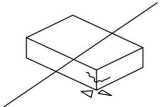

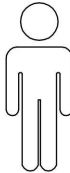
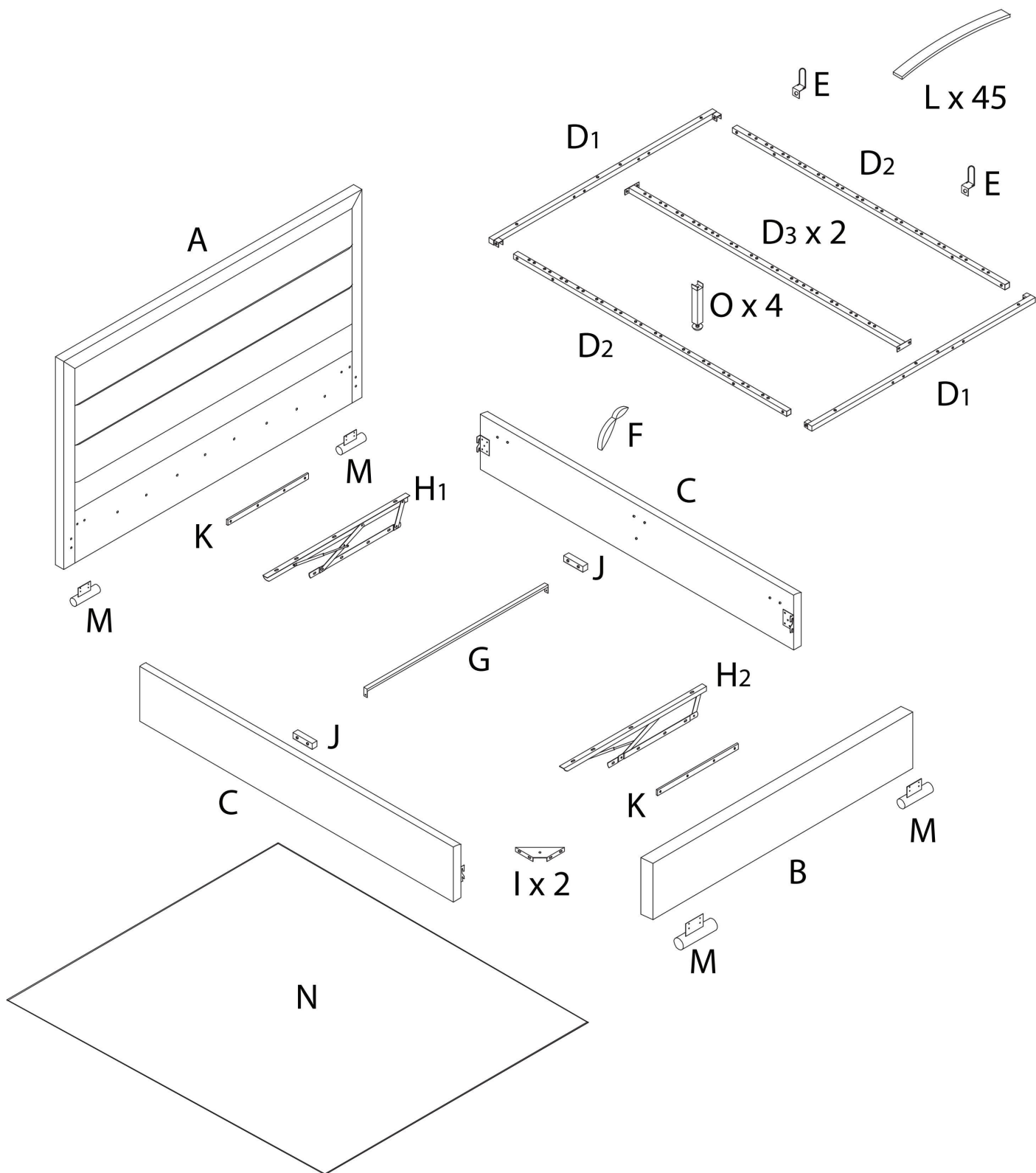


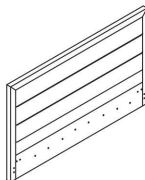
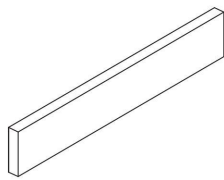
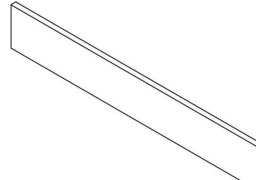
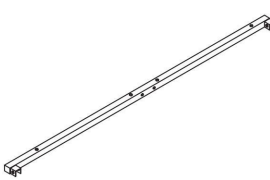
# ROUEN



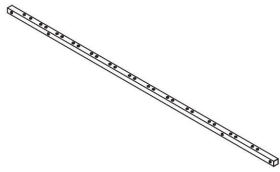


 		
 		
		<b>60'</b>
		<b>2</b>



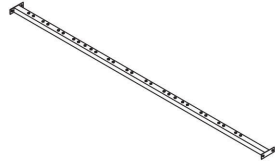
<p><b>A</b></p>  <p><b>x 1</b></p>	<p><b>B</b></p>  <p><b>x 1</b></p>	<p><b>C</b></p>  <p><b>x 2</b></p>	<p><b>D1</b></p>  <p><b>x 2</b></p>
---	---	--	--

D<sub>2</sub>



x 2

D<sub>3</sub>



x 2

E



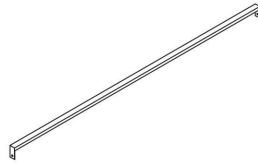
x 2

F



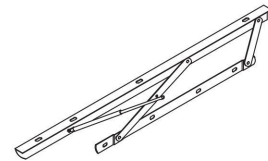
x 1

G



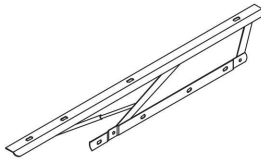
x 1

H<sub>1</sub>



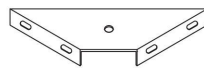
x 1

H<sub>2</sub>



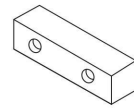
x 1

I



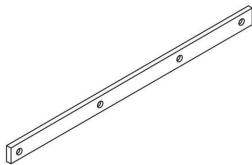
x 2

J



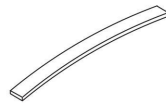
x 2

K



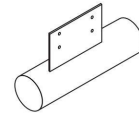
x 2

L



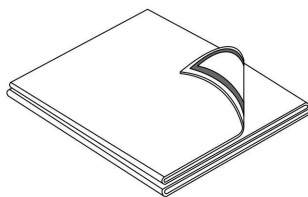
x 45

M



x 4

N



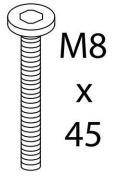
x 1

O



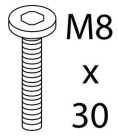
x 4

1



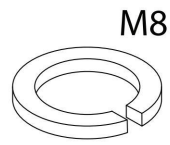
x 26

2



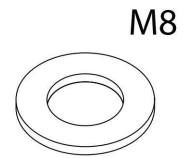
x 8

3



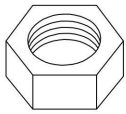
x 34

4



x 34

5



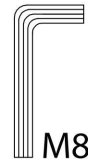
x 18

6



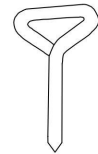
x 16

7



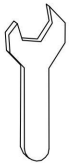
x 1

8



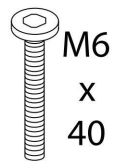
x 1

9



x 1

10



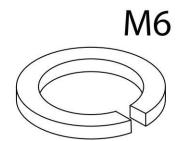
x 8

11



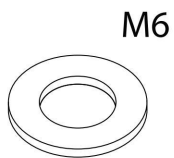
x 10

12



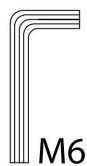
x 18

13



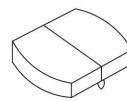
x 18

14



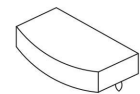
x 1

15



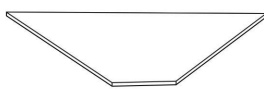
x 30

16



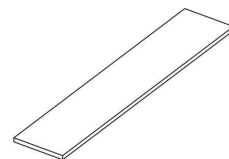
x 30

17



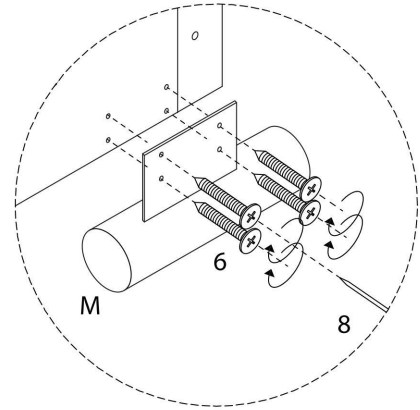
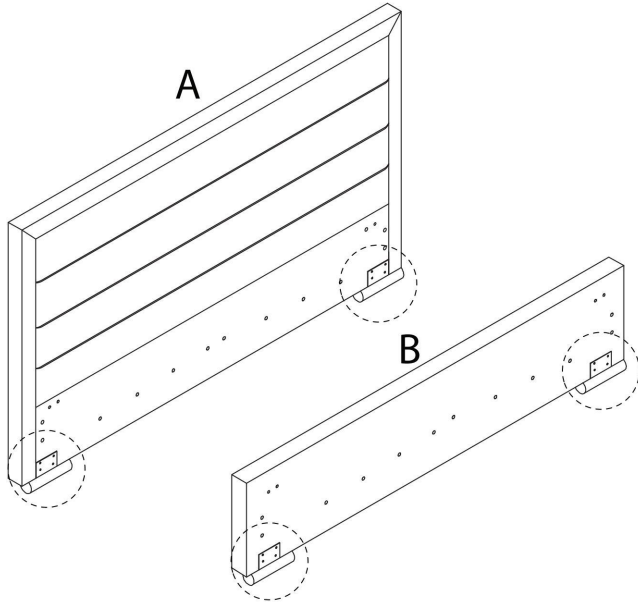
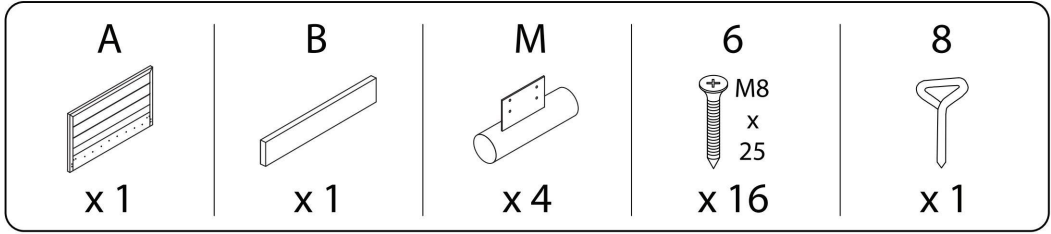
x 2

18

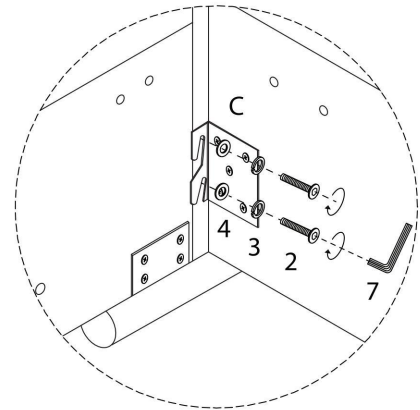
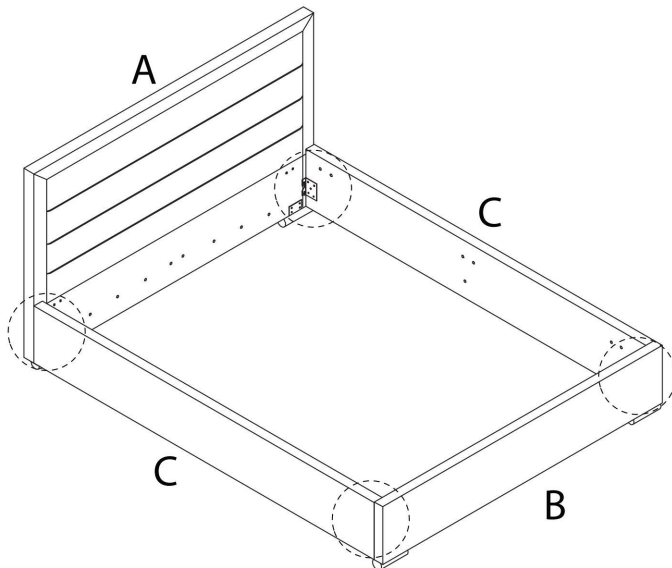
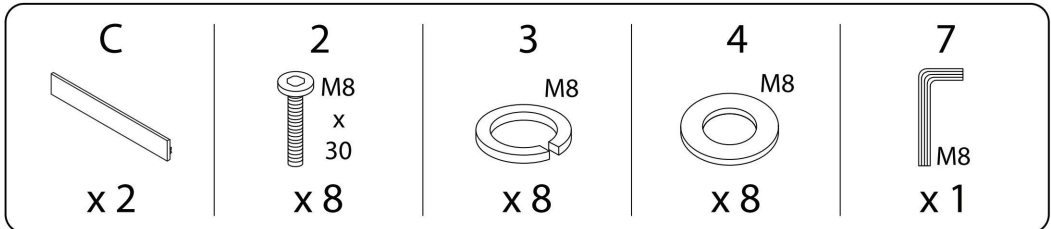


x 4

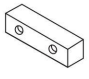
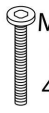
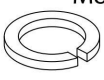
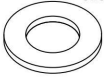

1

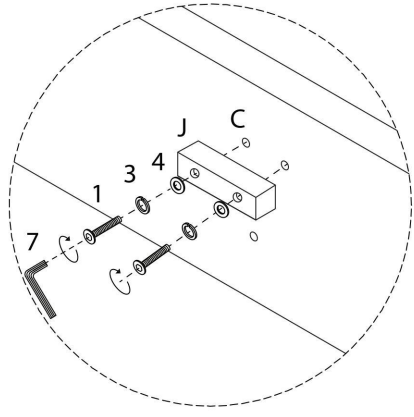
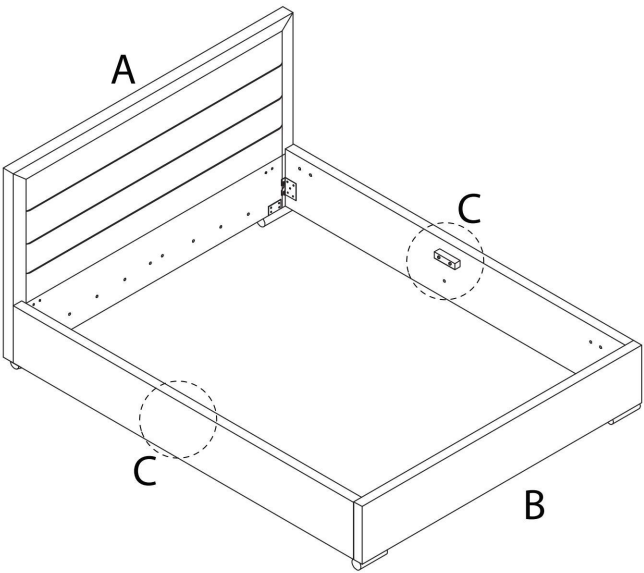


2



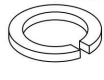
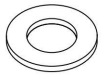



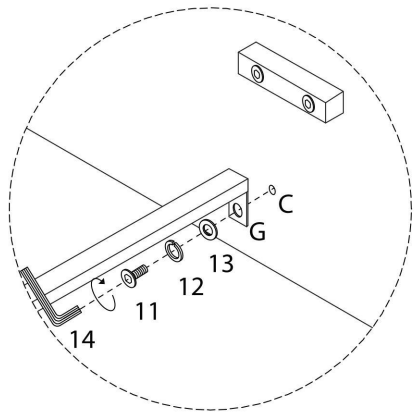
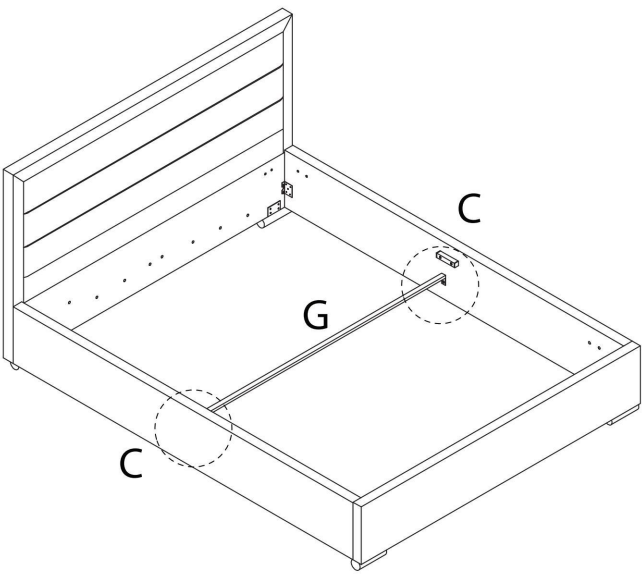
3

<b>J</b>  x 2	<b>1</b>  M8 x 45 x 4	<b>3</b>  M8 x 4	<b>4</b>  M8 x 4	<b>7</b>  M8 x 1
--	--	--	--	--

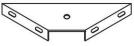

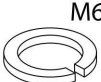




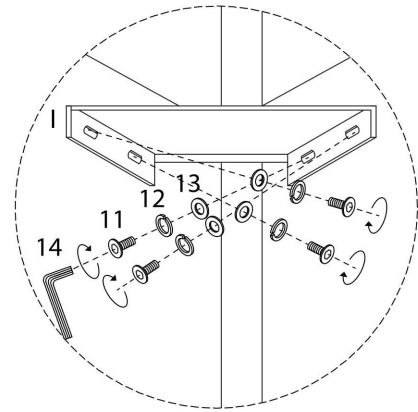
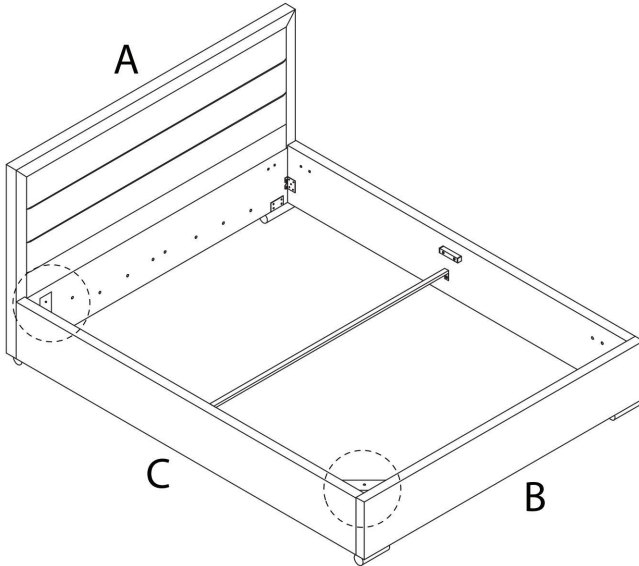
4

<b>G</b>  x 1	<b>11</b>  M6 x 20 x 2	<b>12</b>  M6 x 2	<b>13</b>  M6 x 2	<b>14</b>  M6 x 1
--	---	---	---	---

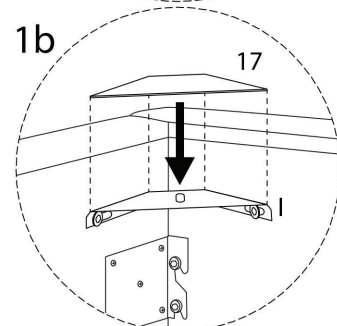
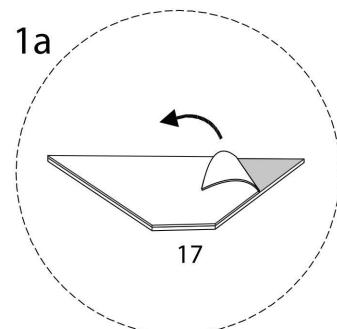
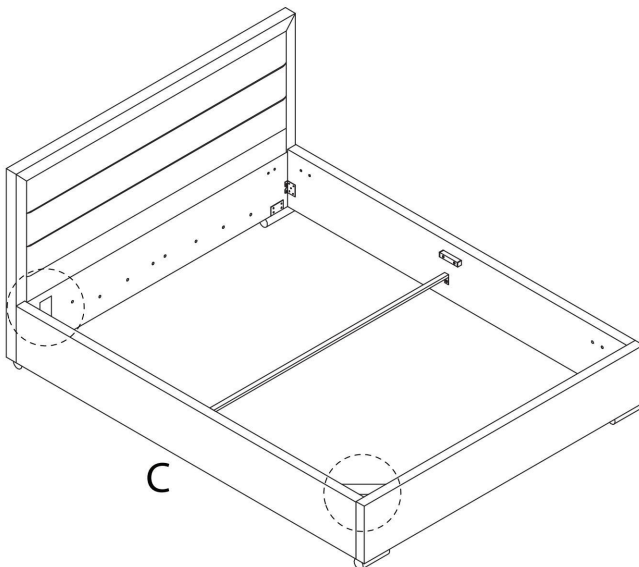
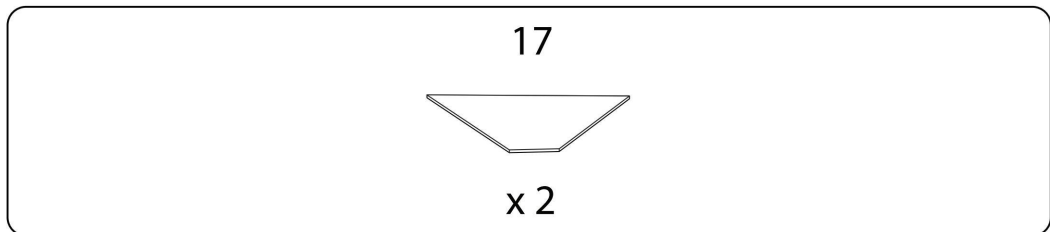


5

<p>I</p>  <p>x 2</p>	<p>11</p>  <p>M6 x 20 x 8</p>	<p>12</p>  <p>M6 x 8</p>	<p>13</p>  <p>M6 x 8</p>	<p>14</p>  <p>M6 x 1</p>
---	--	---	---	---

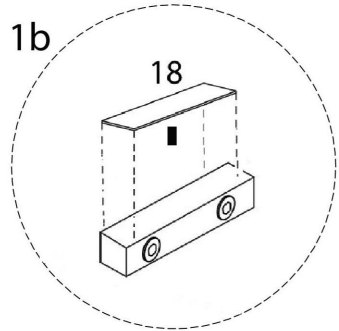
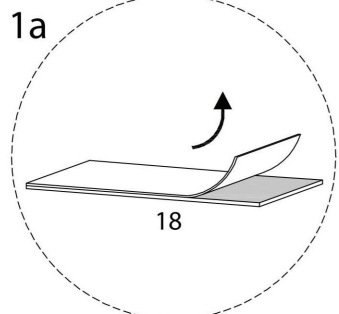
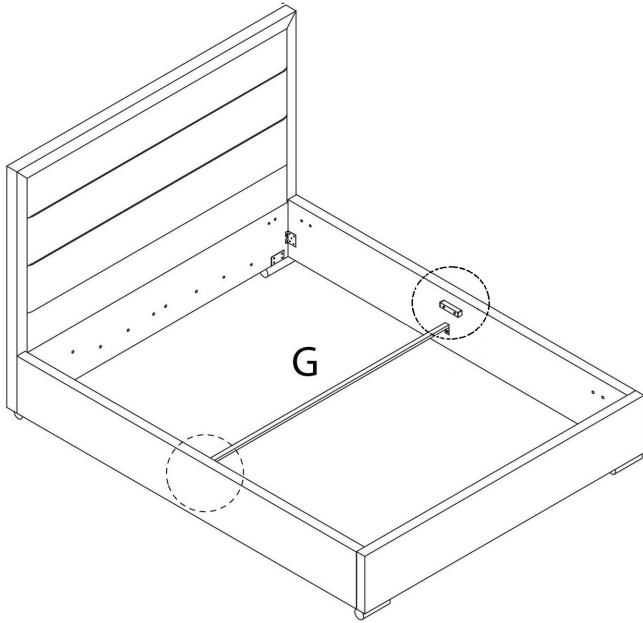
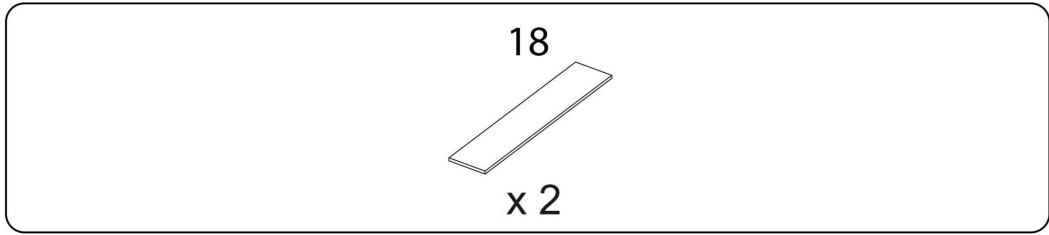


6

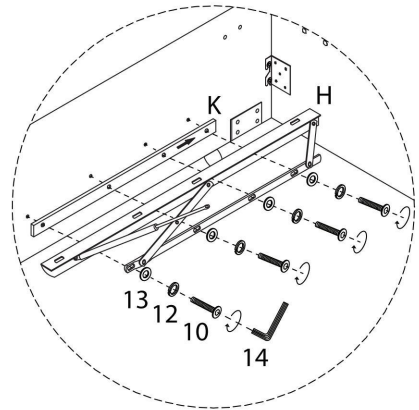
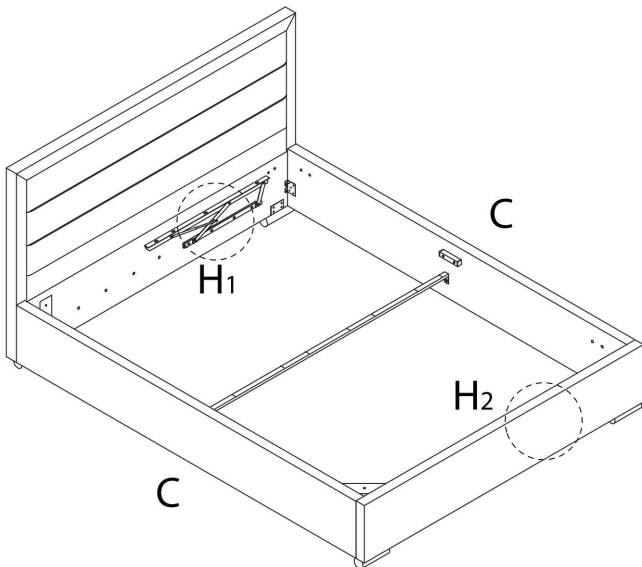
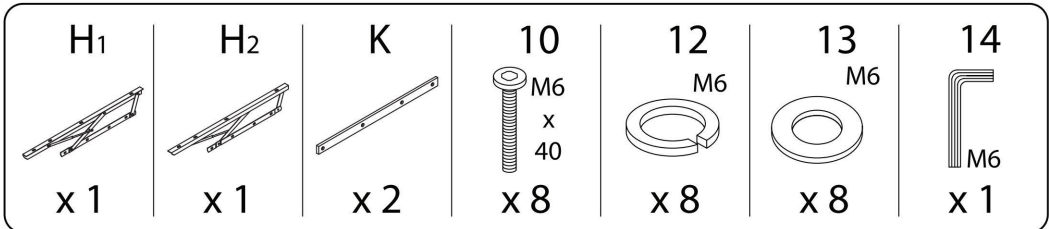




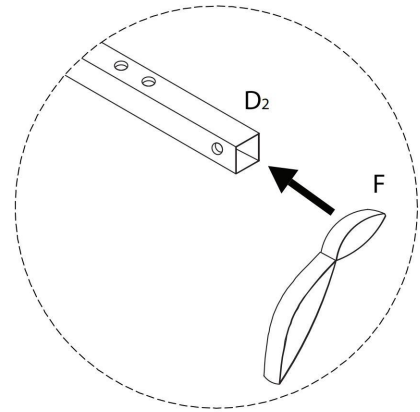
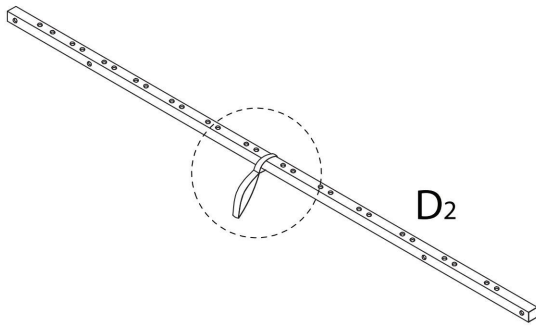
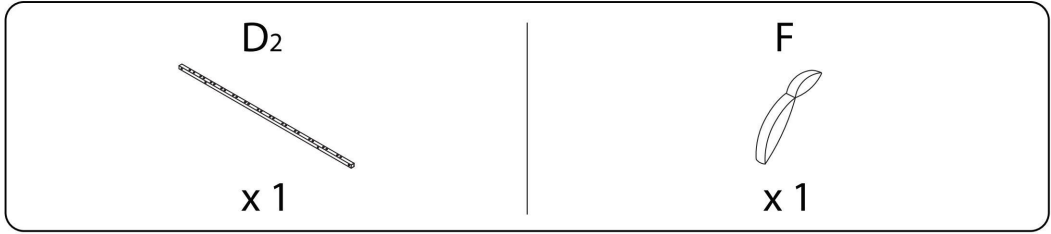
7



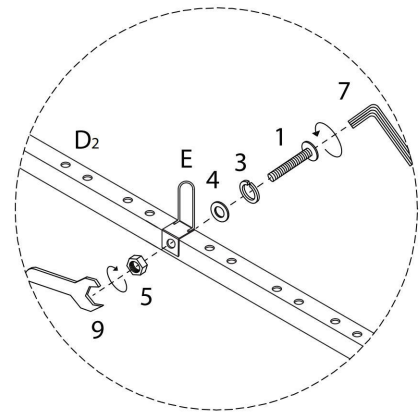
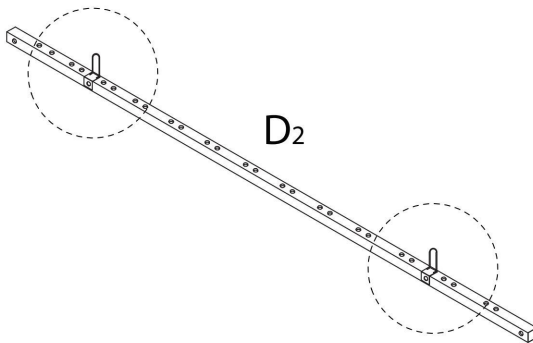
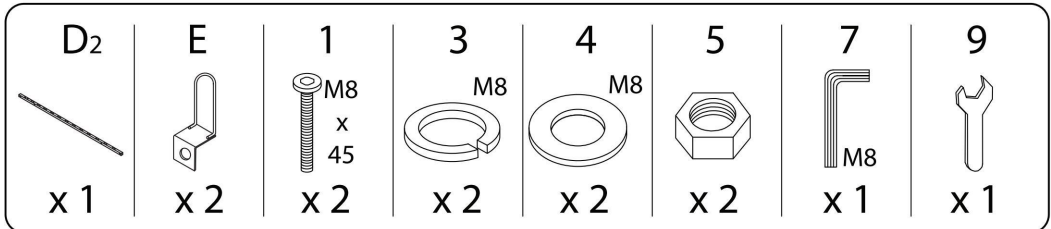
8







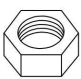
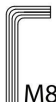

9

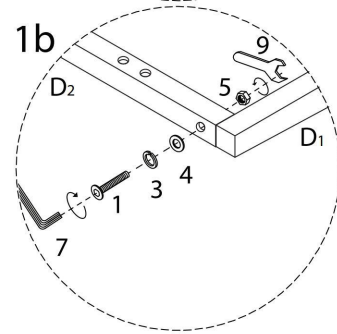
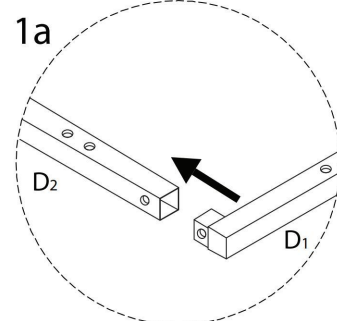
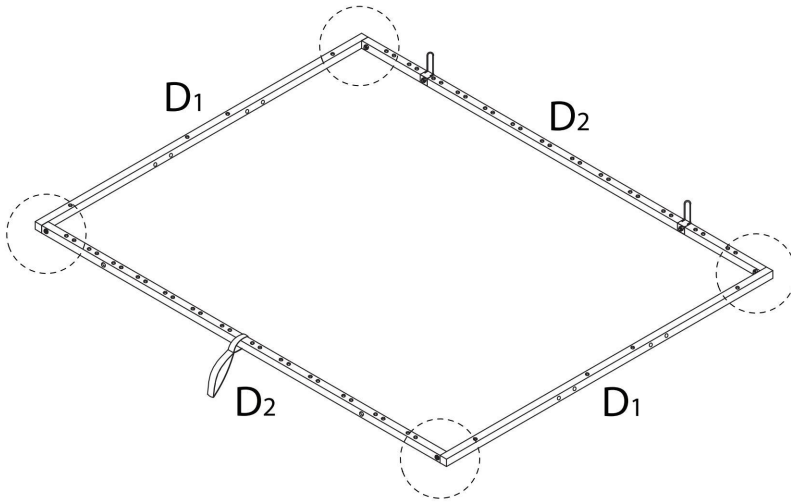


10





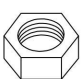
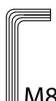



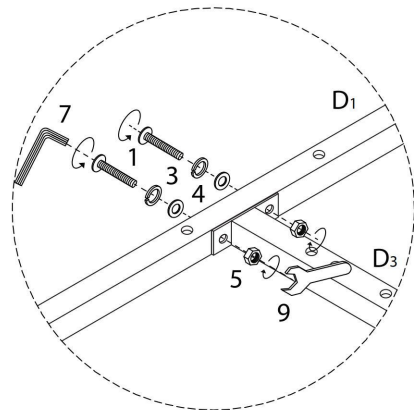
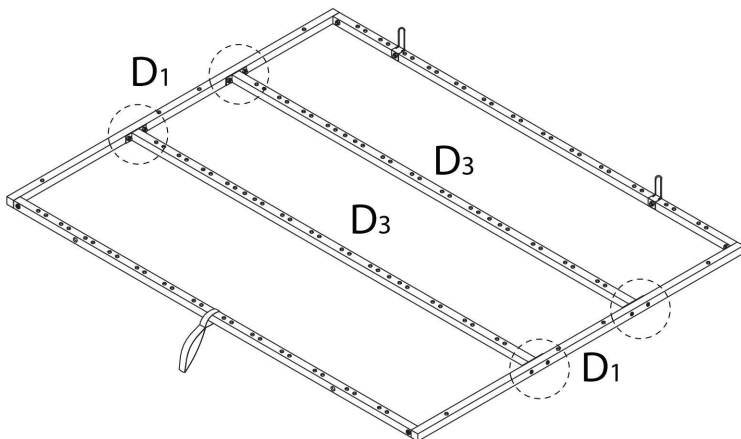
# 11

D1	1	3	4	5	7	9
						
x 2	M8 x 45 x 4	M8 x 4	M8 x 4	x 4	M8 x 1	x 1

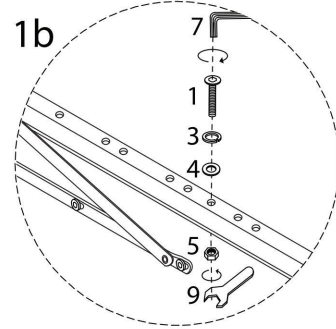
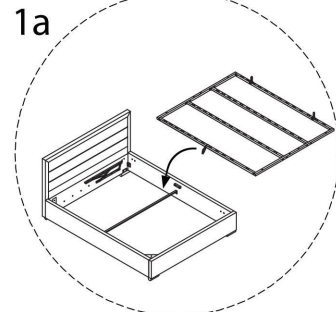
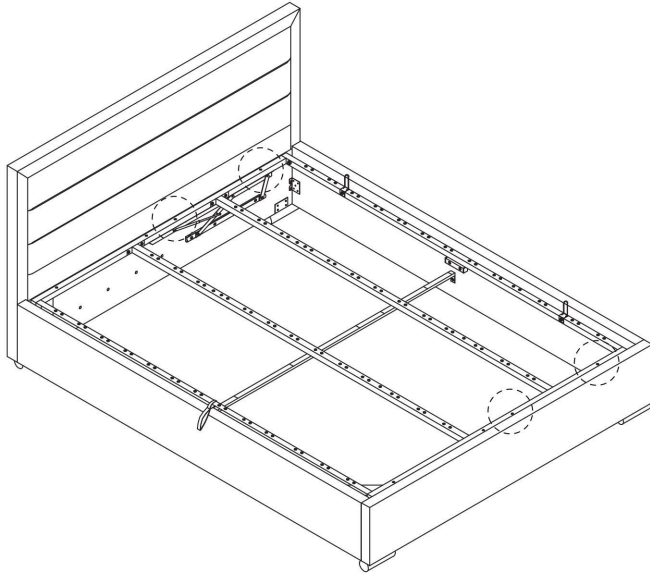
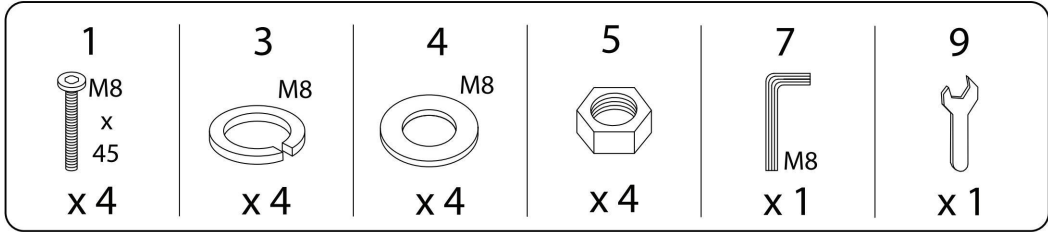


# 12

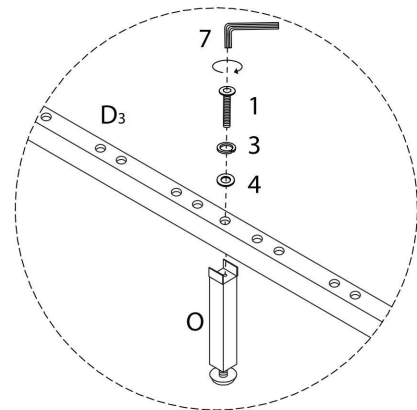
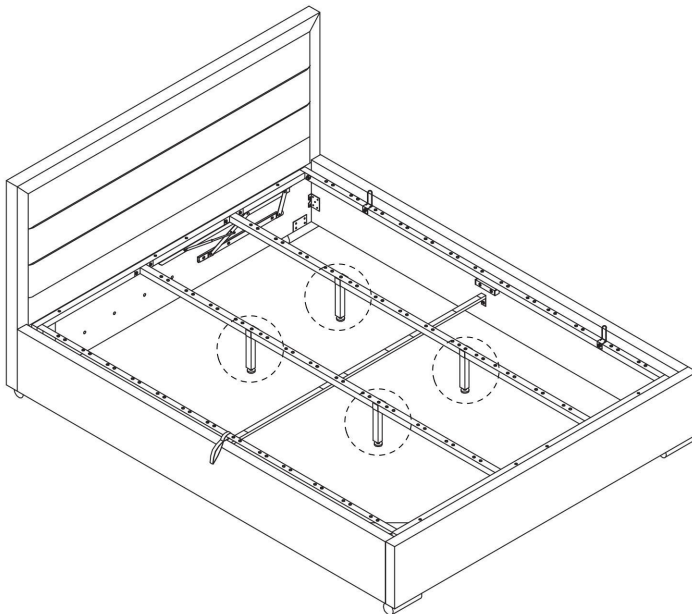
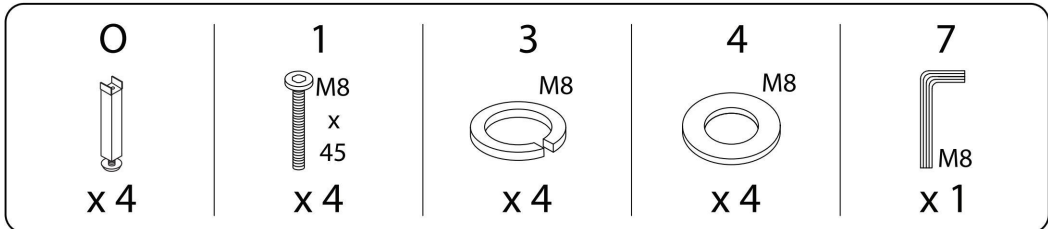
D3	1	3	4	5	7	9
						
x 2	M8 x 45 x 8	M8 x 8	M8 x 8	x 8	M8 x 1	x 1



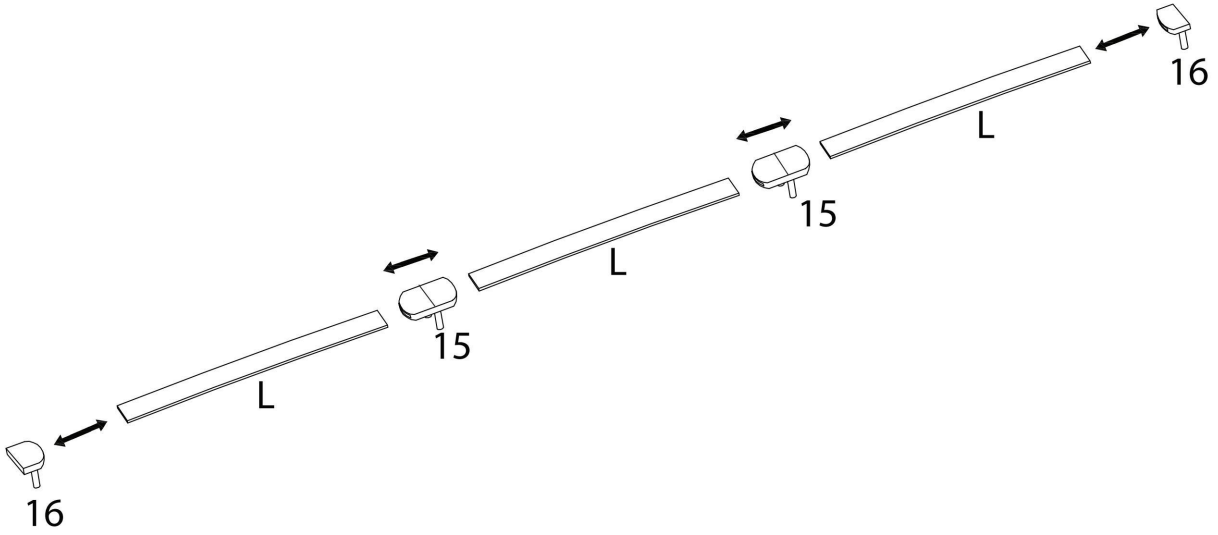
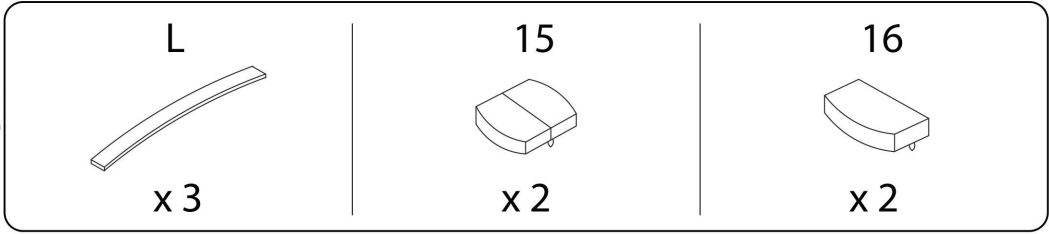
13



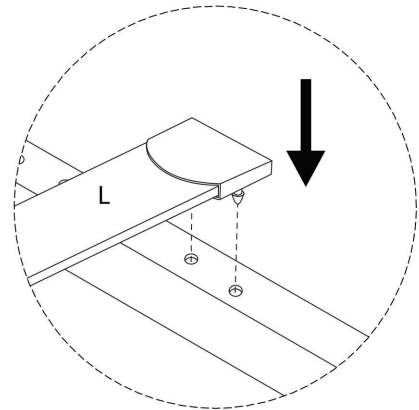
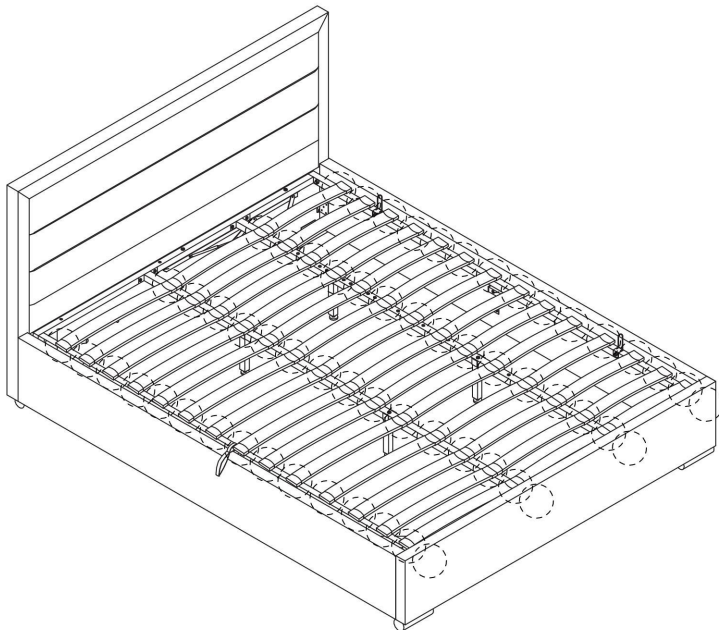
14



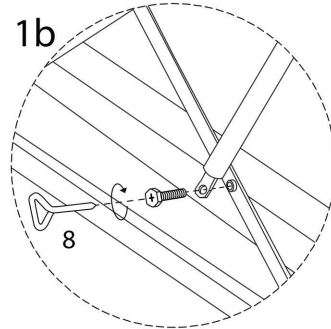
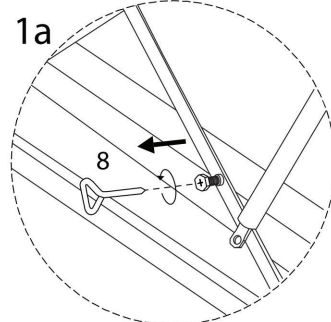
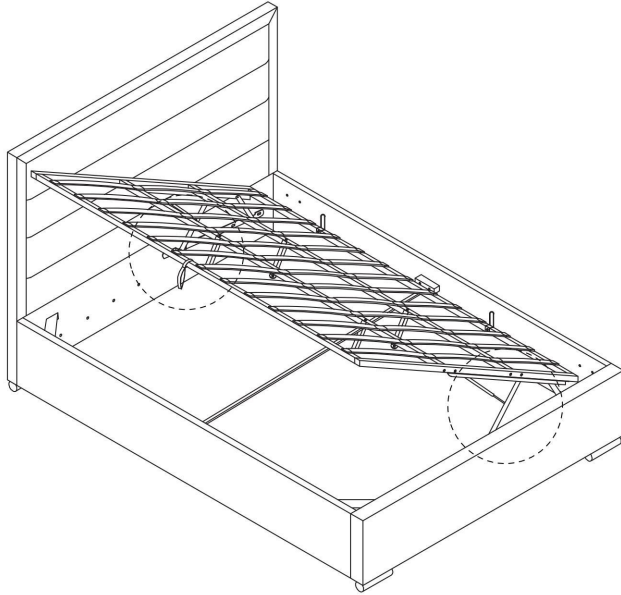
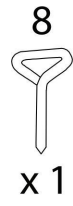
15 x 15



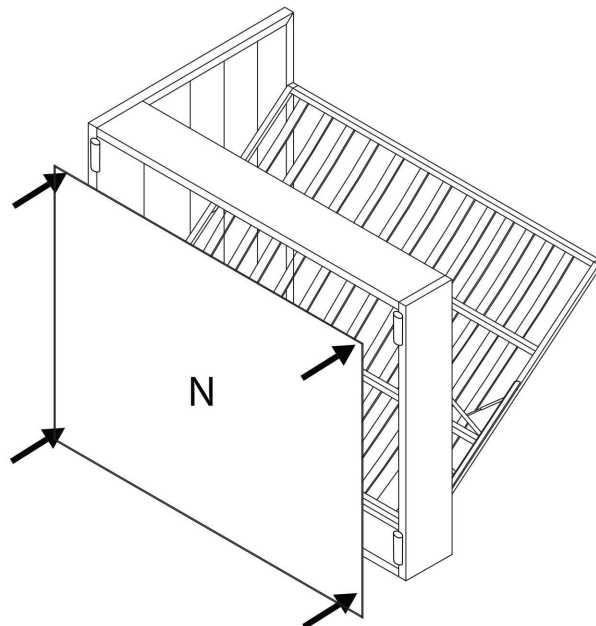
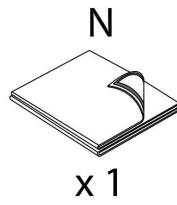
16



17



18



!

