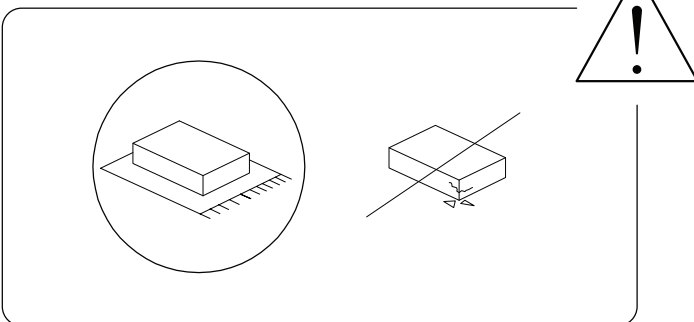
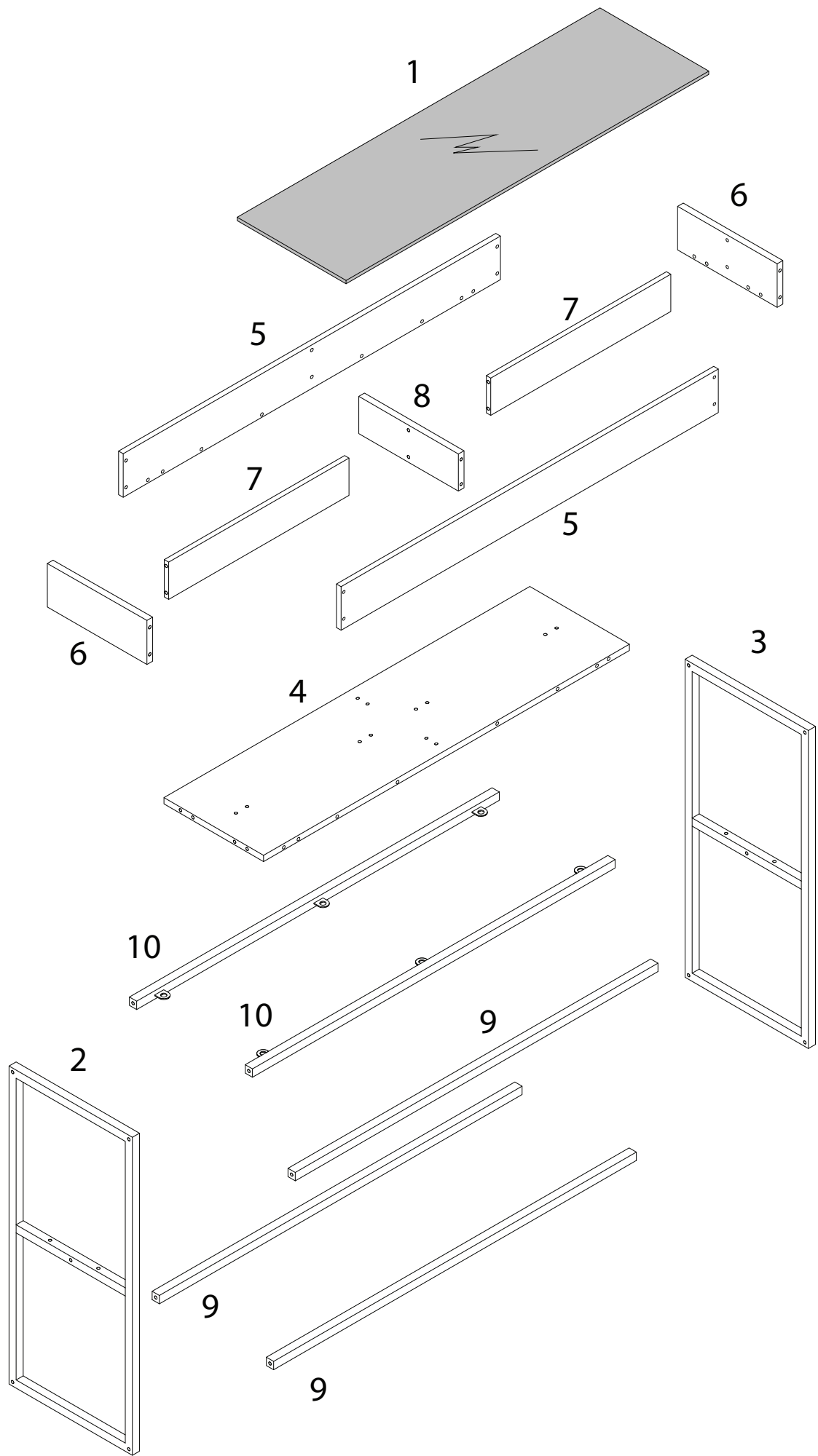


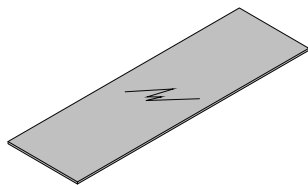
60'



2

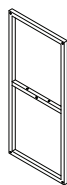


1



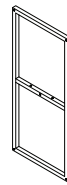
x 1

2



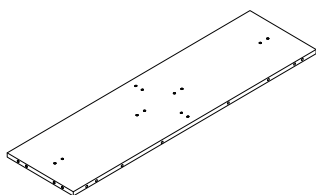
x 1

3



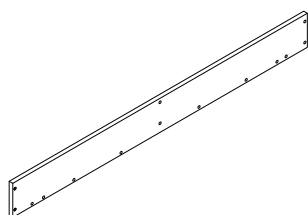
x 1

4



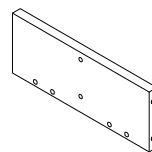
x 1

5



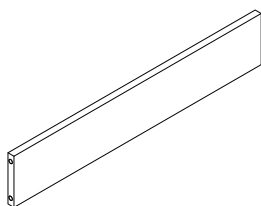
x 2

6



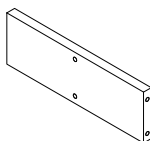
x 2

7



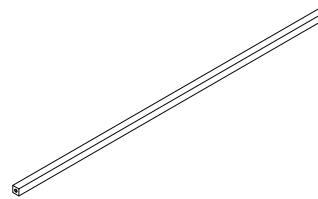
x 2

8



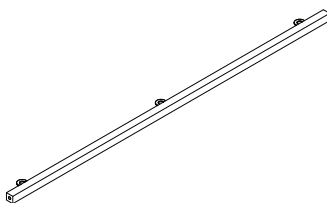
x 1

9



x 3

10



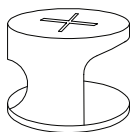
x 2

A



x 12

B



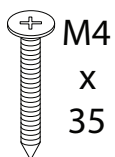
x 12

C



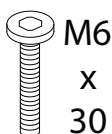
x 28

D



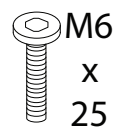
x 14

E



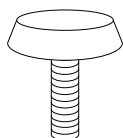
x 10

F



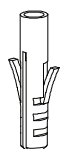
x 4

G



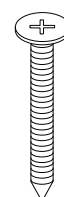
x 4

H1



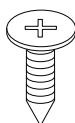
x 2

H2



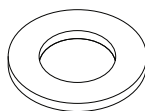
x 2

H3



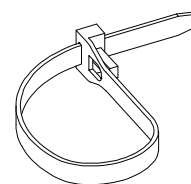
x 2

H4



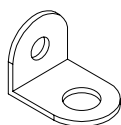
x 4

H5



x 2

H6



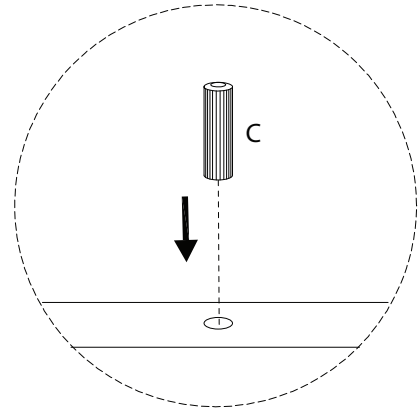
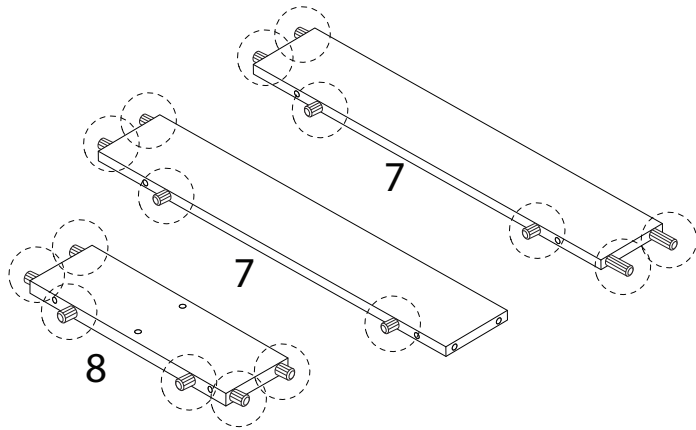
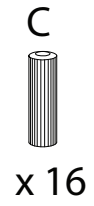
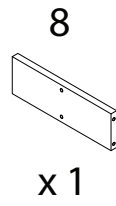
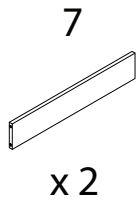
x 4

I

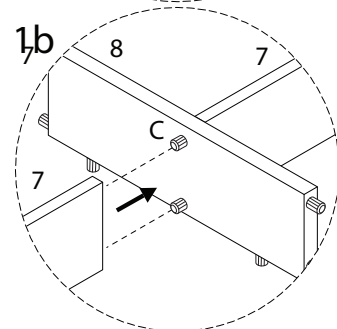
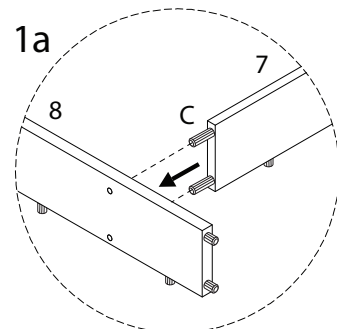
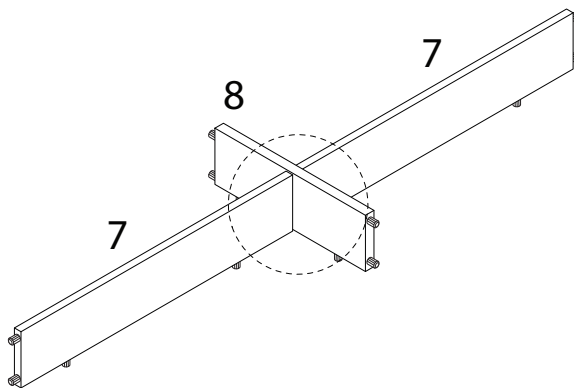


x 6

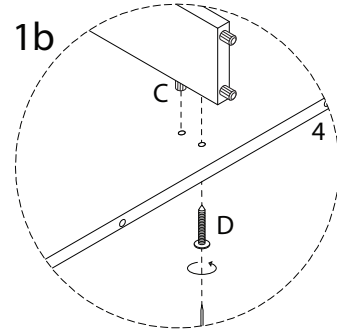
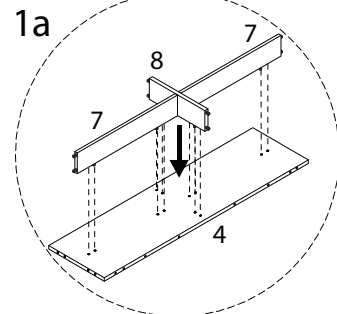
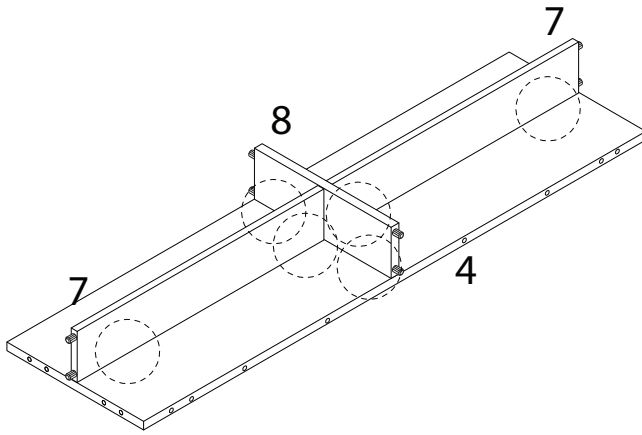
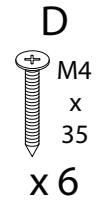
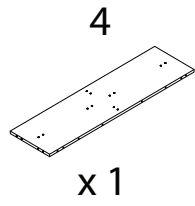
1



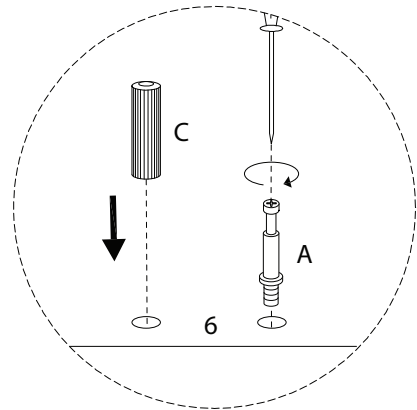
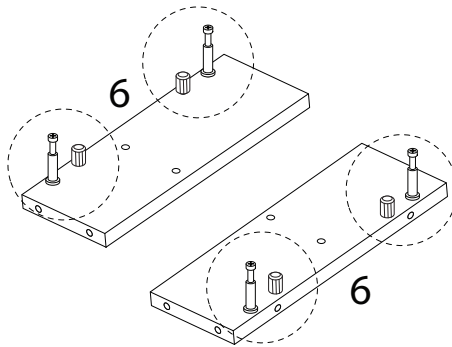
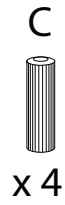
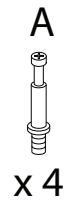
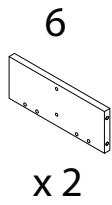
2



3



4

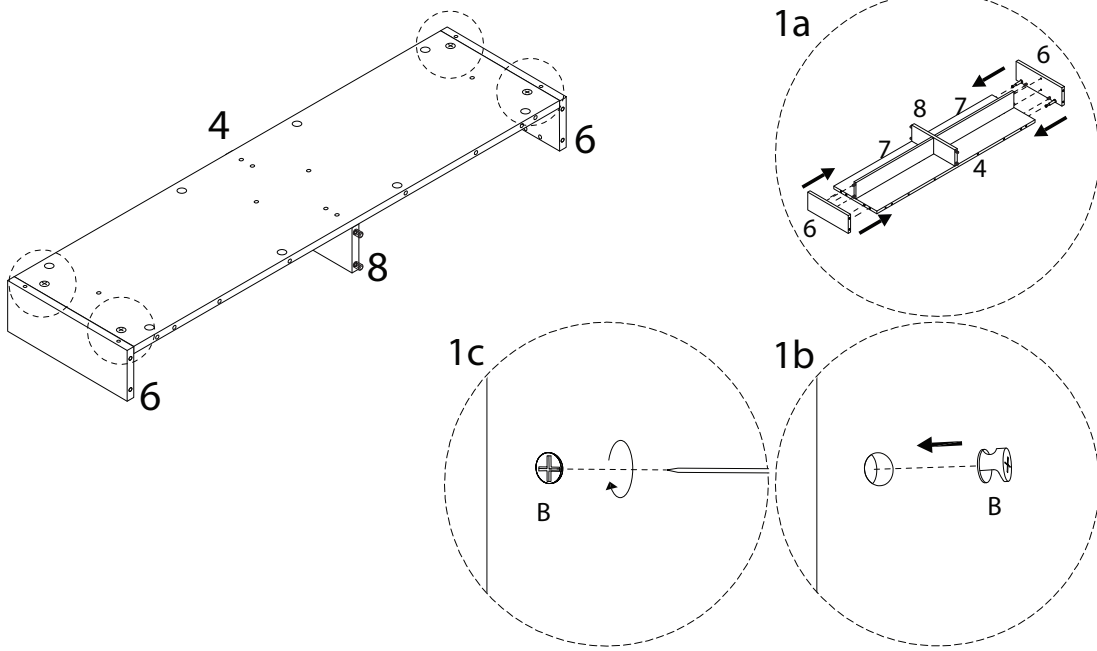


5

B

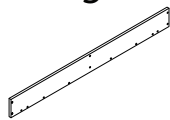


x 4



6

5

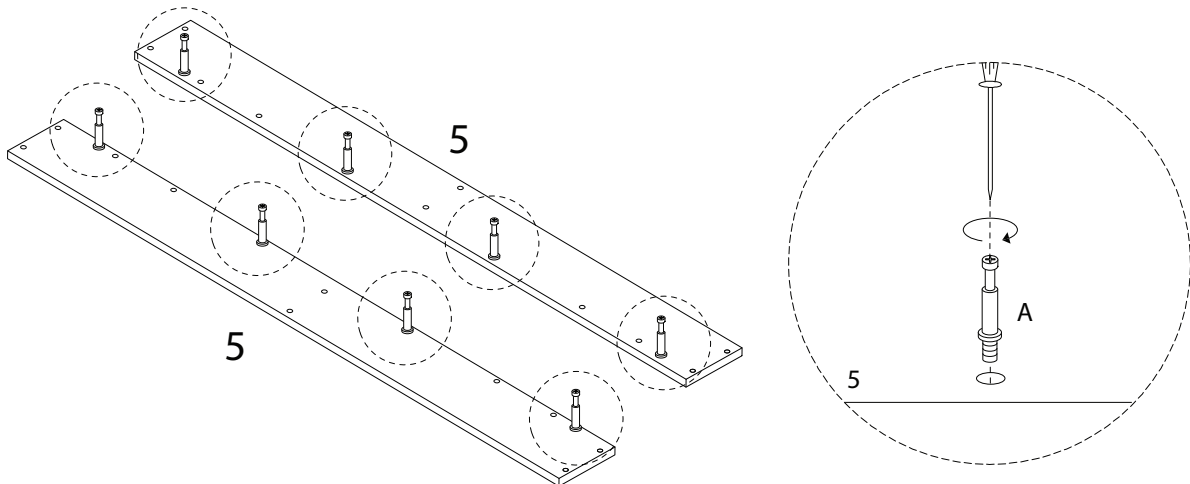


x 2

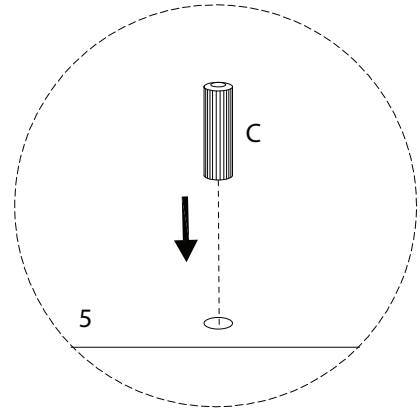
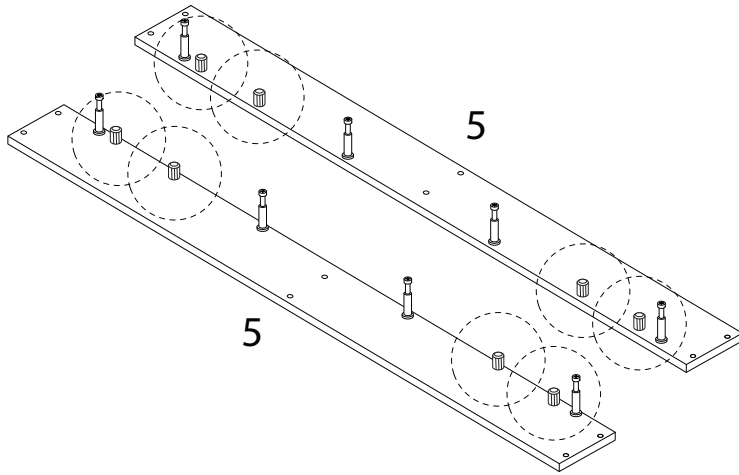
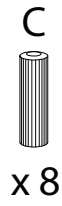
A



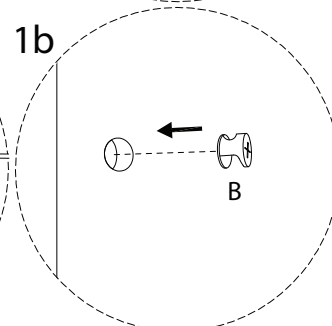
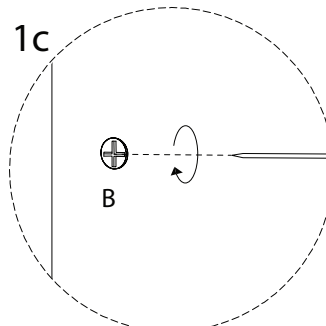
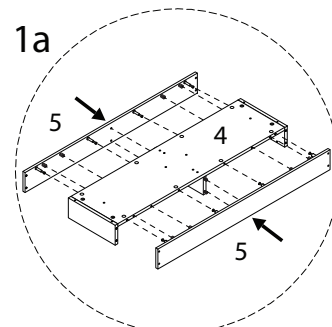
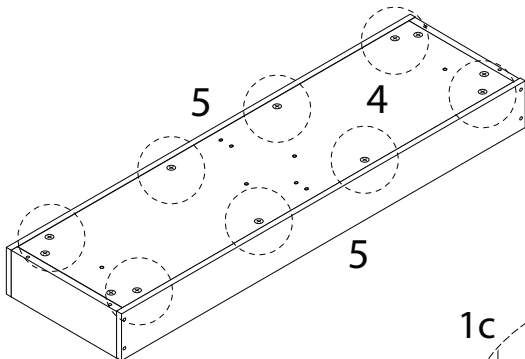
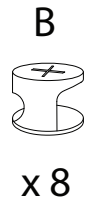
x 8



7

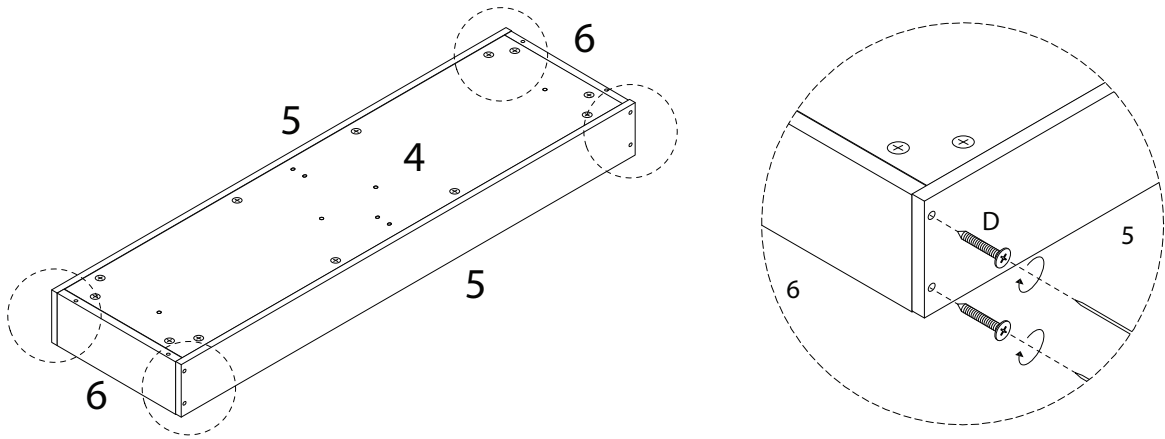


8



9

D
M4
x
35
x 8



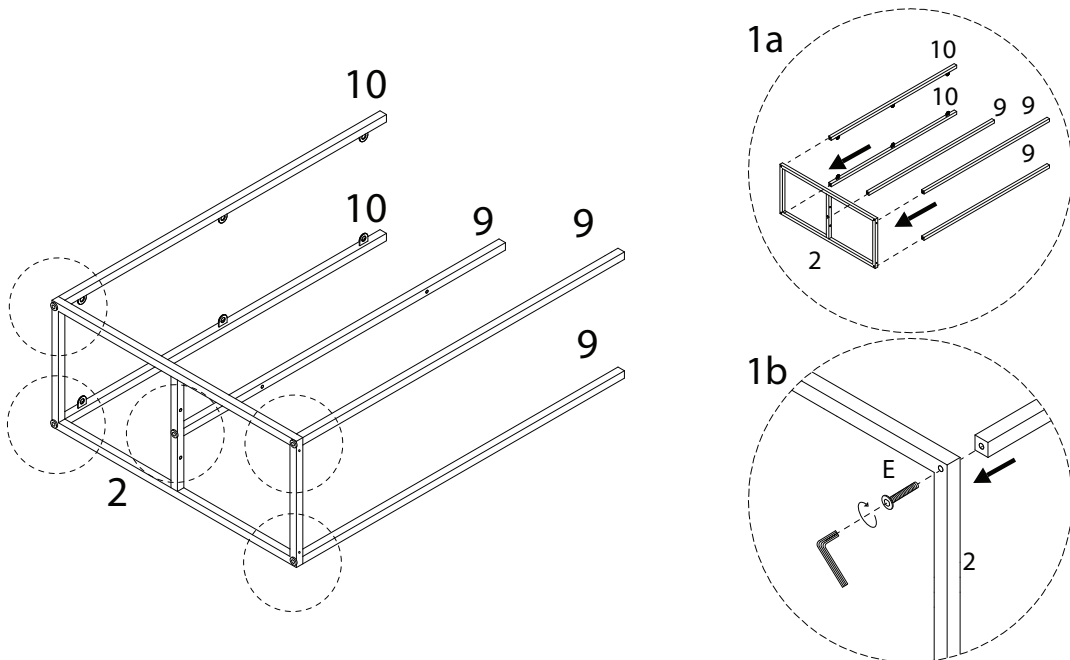
10

2
x 1

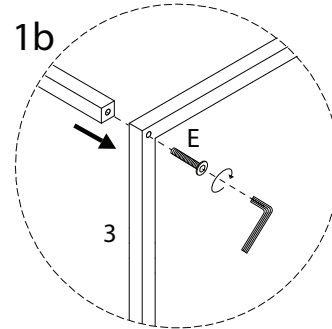
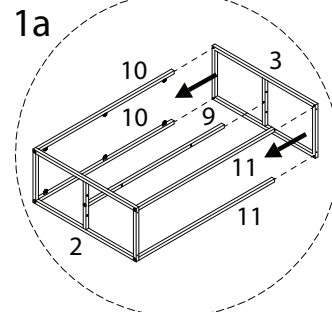
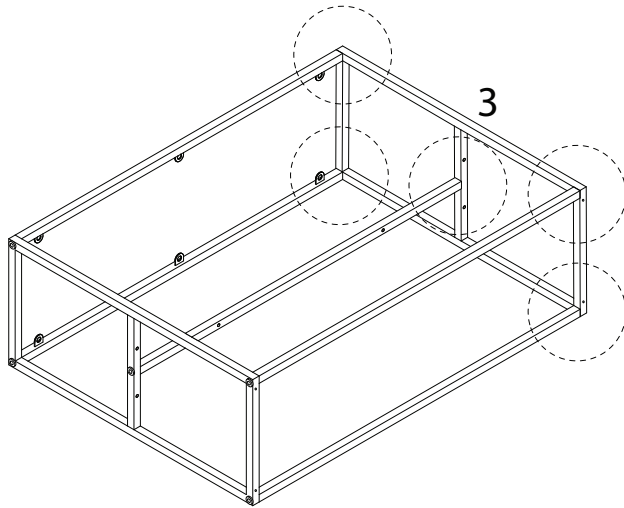
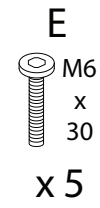
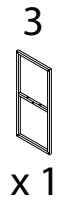
9
x 3

10
x 2

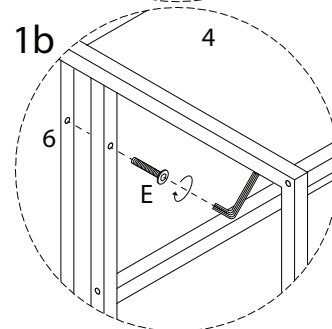
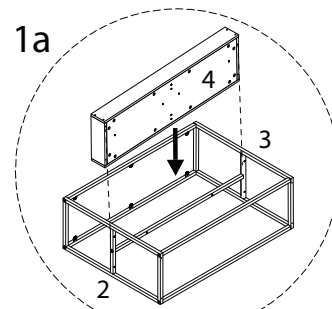
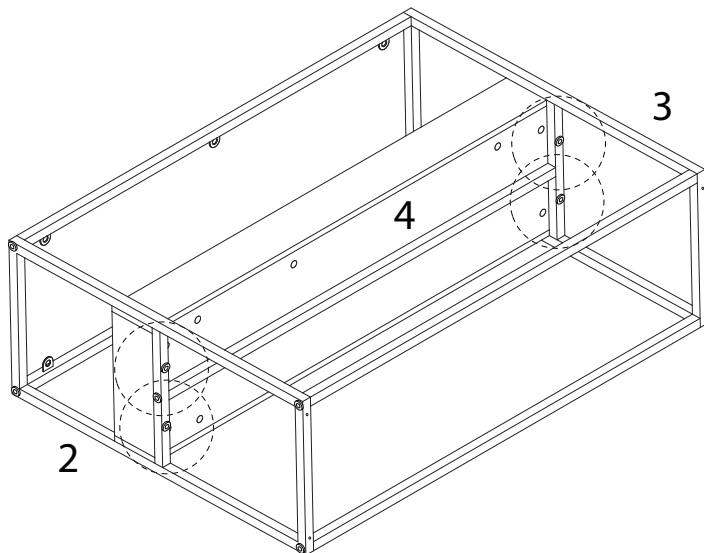
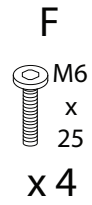
E
M6
x
30
x 5



11

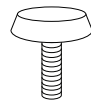


12

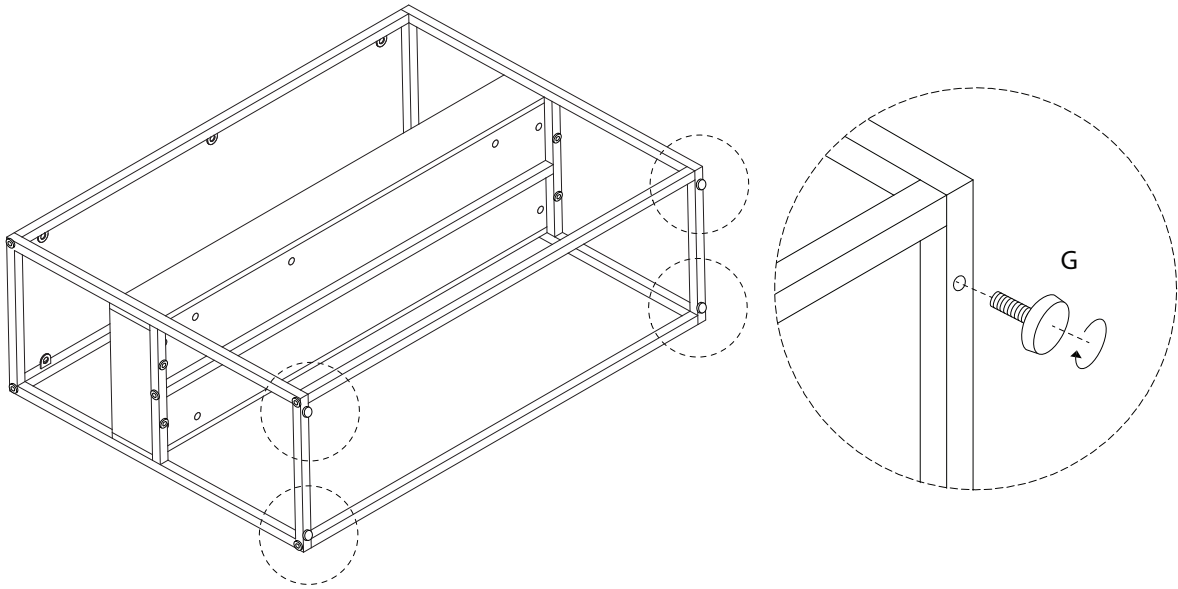


13

G

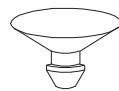


x 4

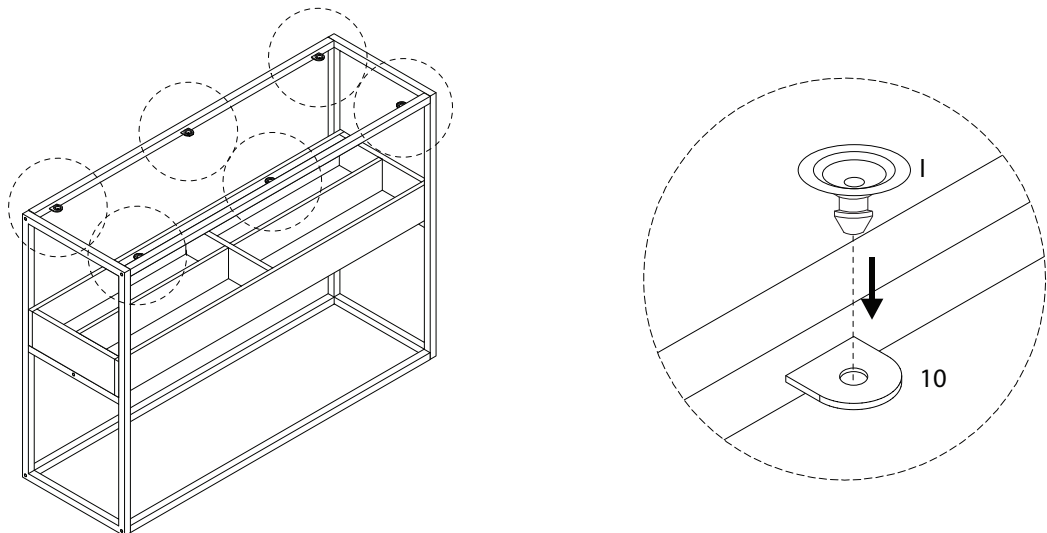


14

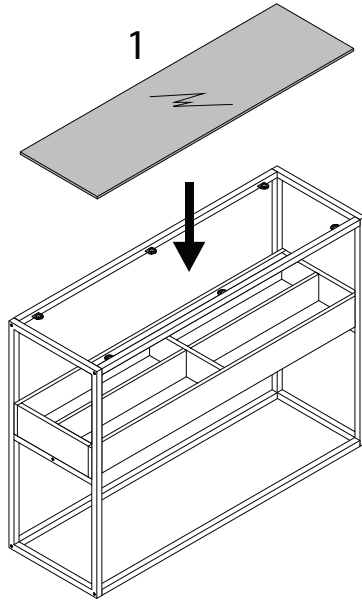
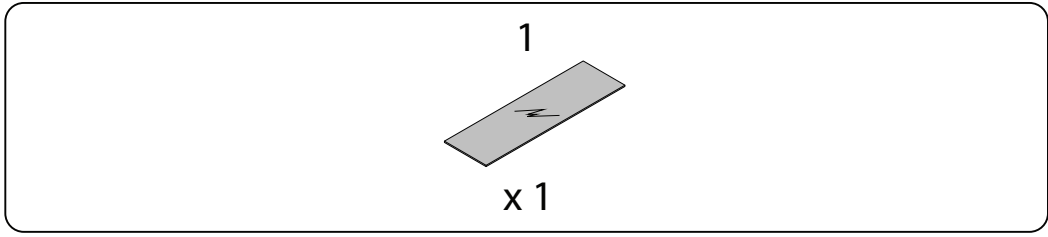
I



x 6



15



16

