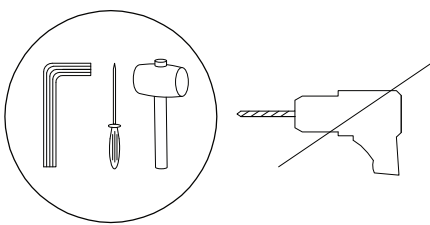
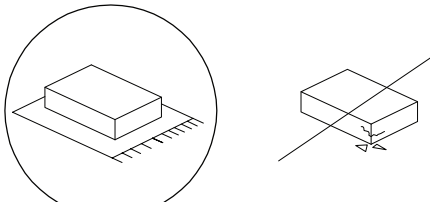



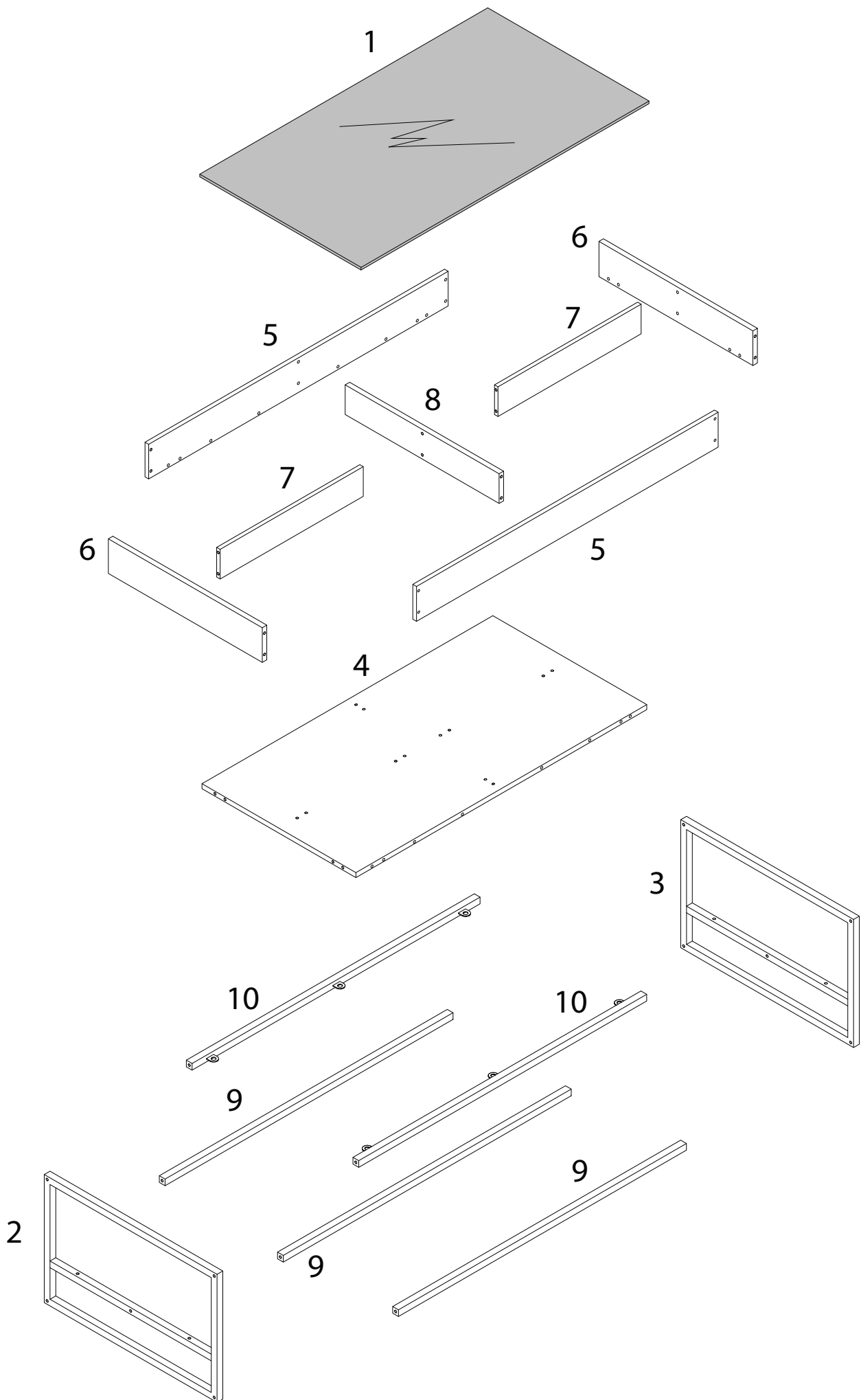
! 

! 

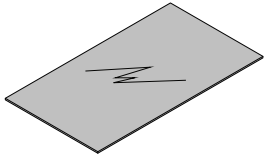
60'



2

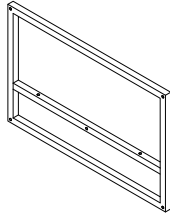


1



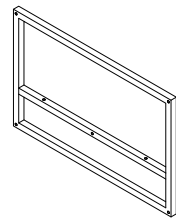
x 1

2



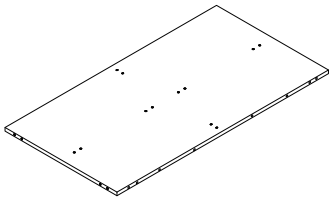
x 1

3



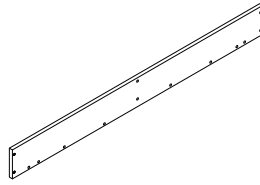
x 1

4



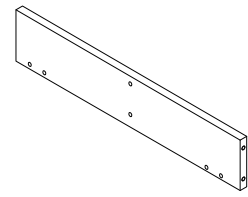
x 1

5



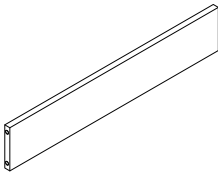
x 2

6



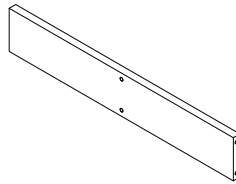
x 2

7



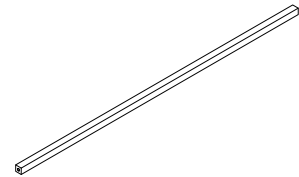
x 2

8



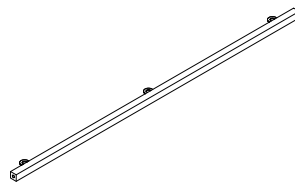
x 1

9



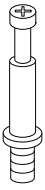
x 3

10



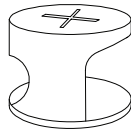
x 2

A



x 12

B



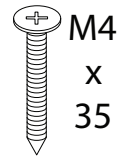
x 12

C



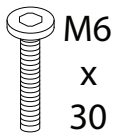
x 28

D



x 14

E



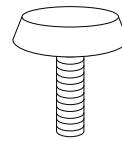
x 10

F



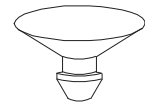
x 4

G



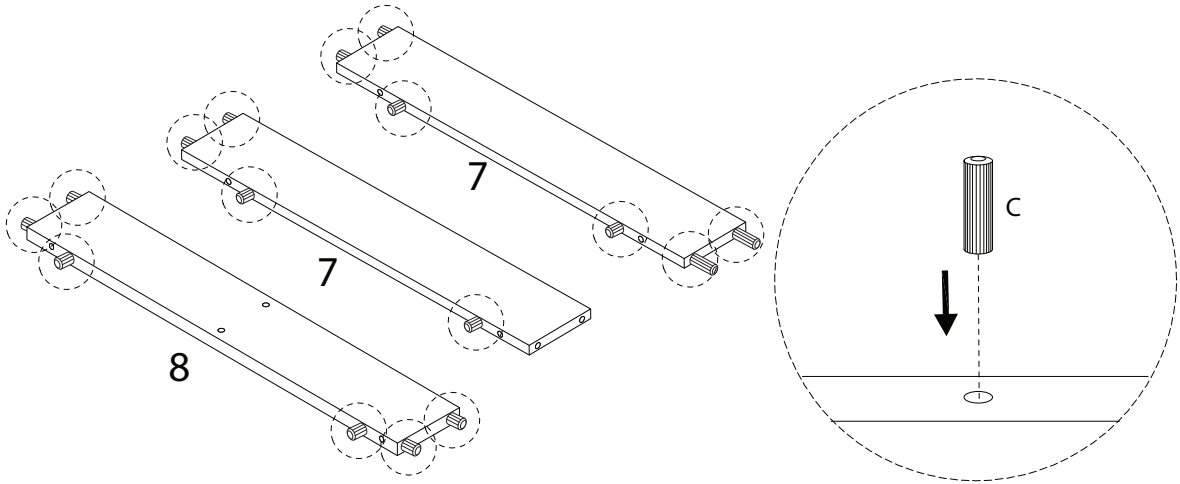
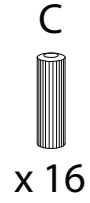
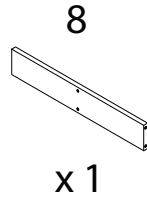
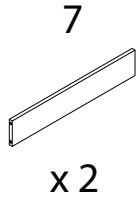
x 4

I

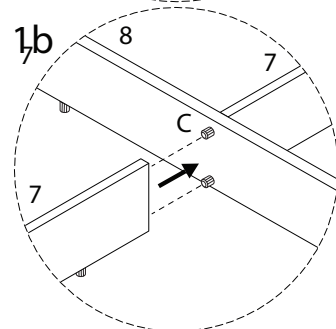
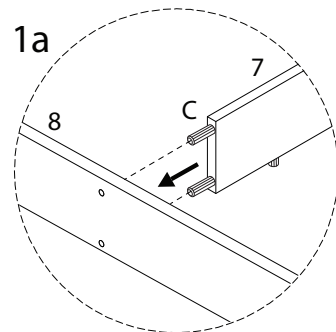
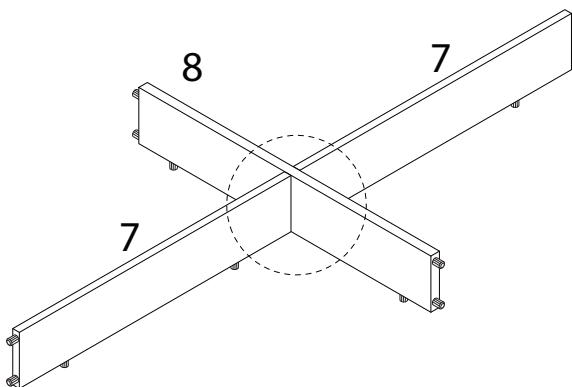


x 6

1

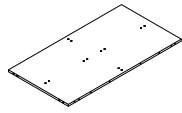


2



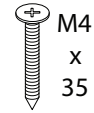
3

4

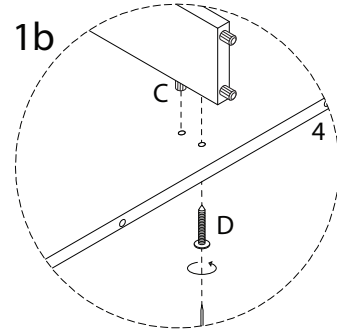
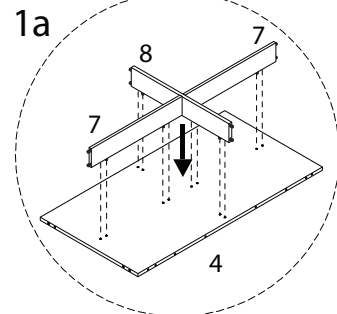
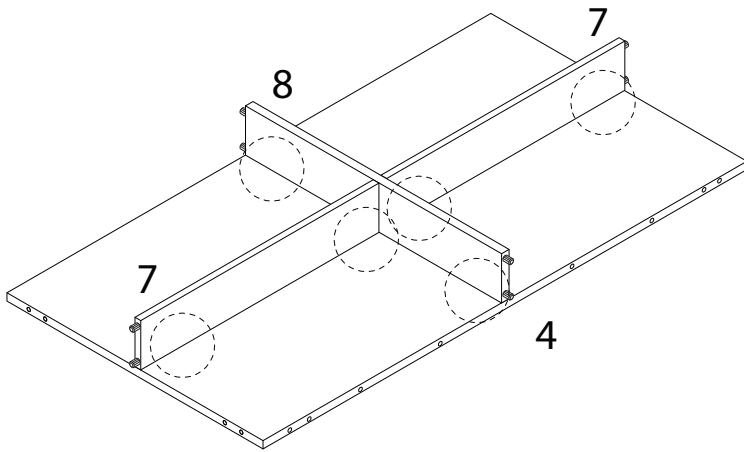


x 1

D

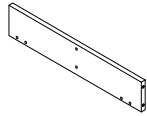


x 6



4

6



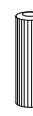
x 2

A

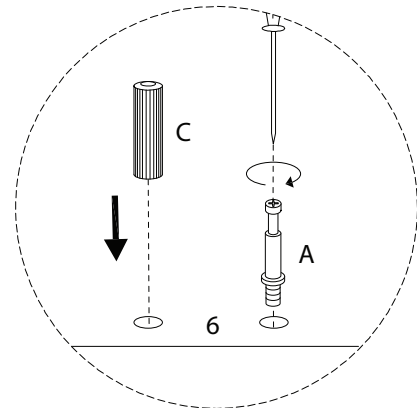
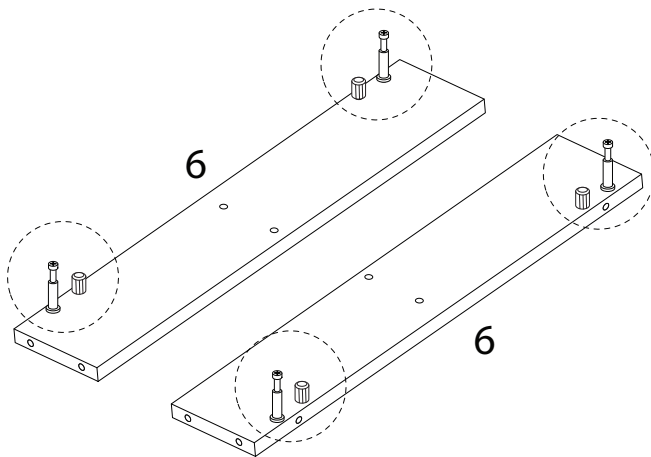


x 4

C



x 4

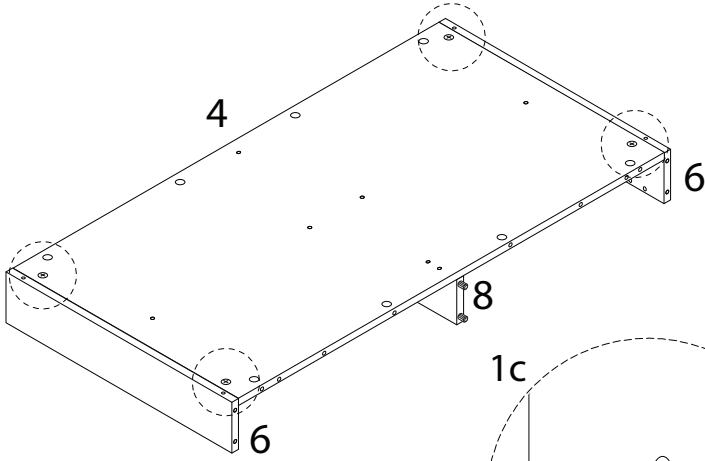


5

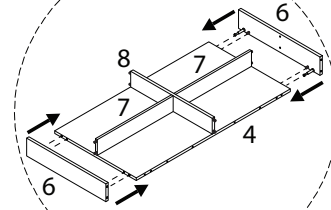
B



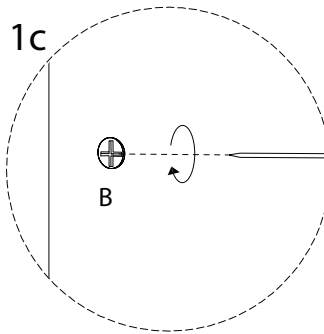
x 4



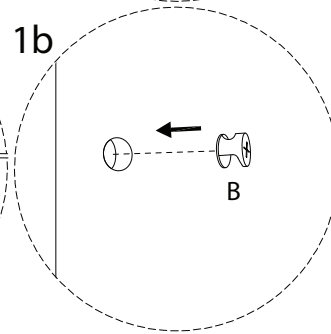
1a



1c

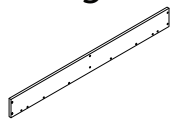


1b



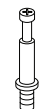
6

5

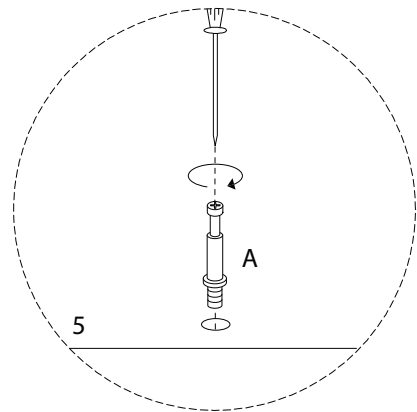
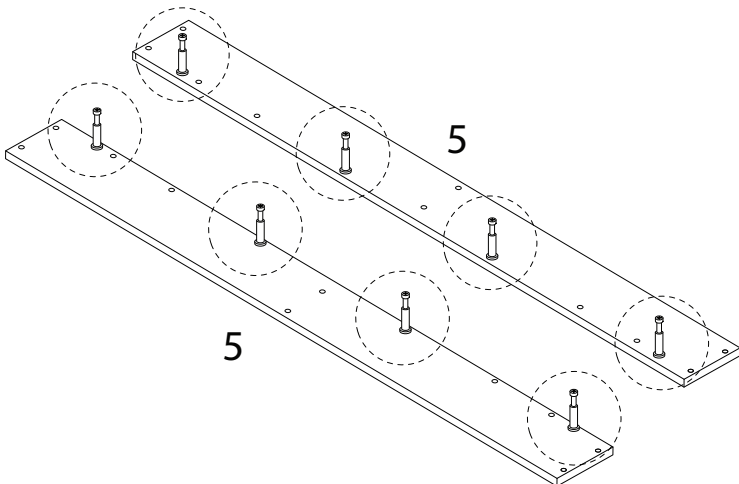


x 2

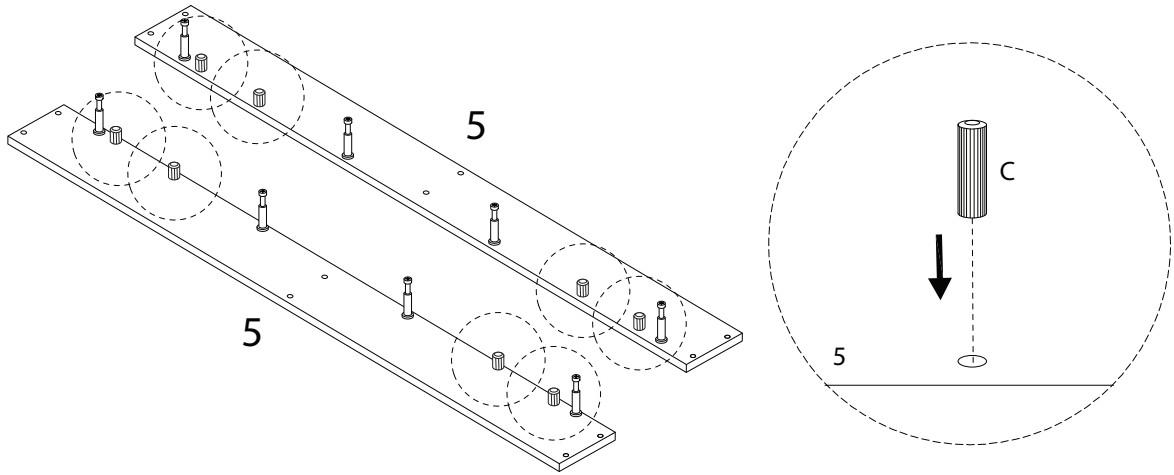
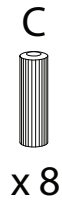
A



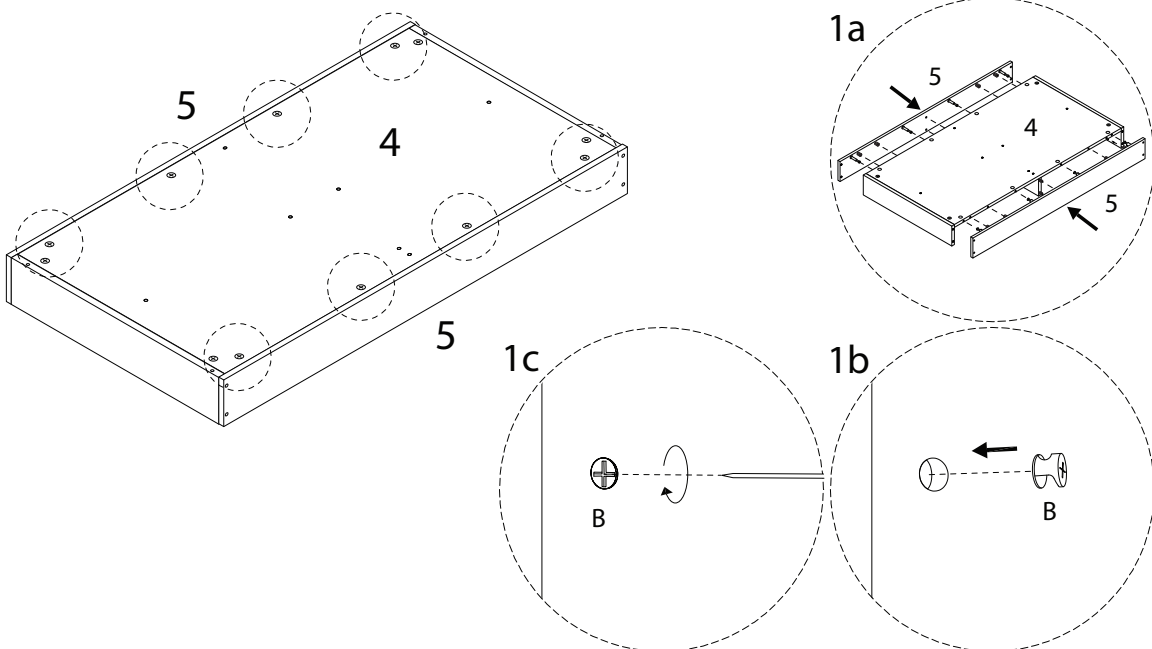
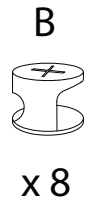
x 8



7

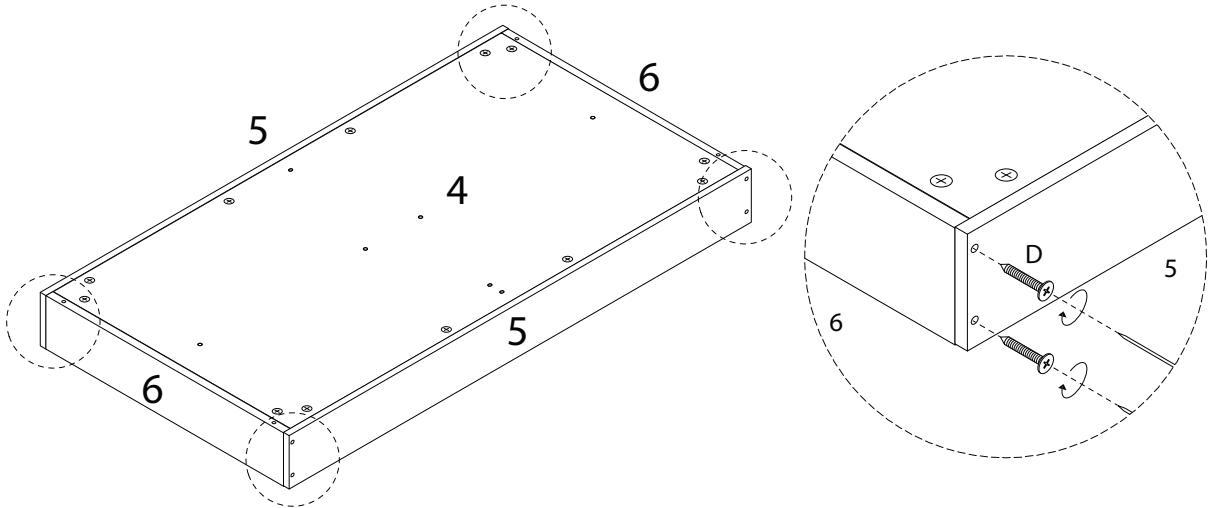


8



9

D
M4
x
35
x 8



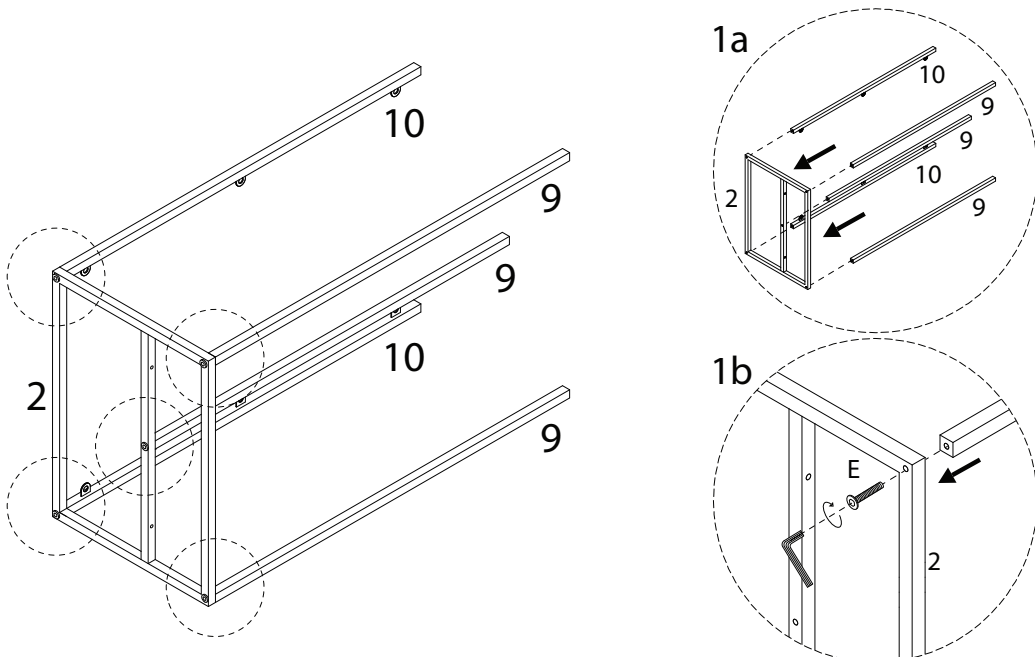
10

2
x 1

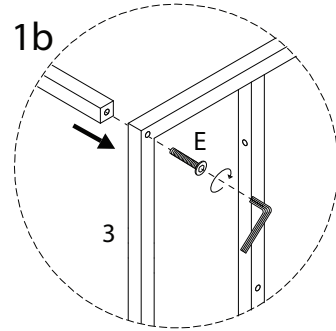
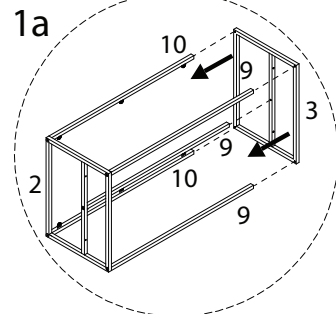
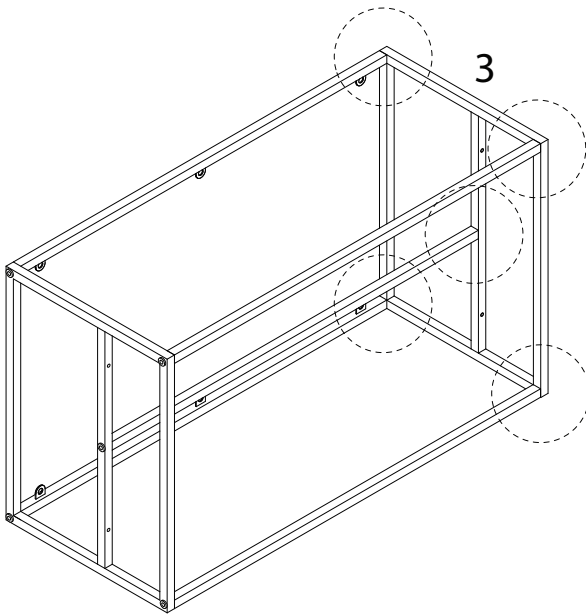
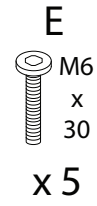
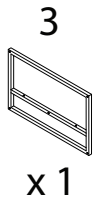
9
x 3

10
x 2

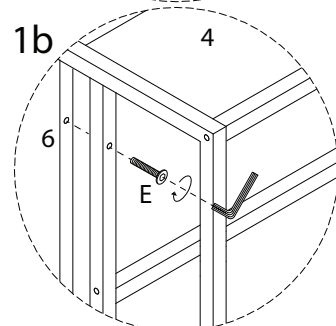
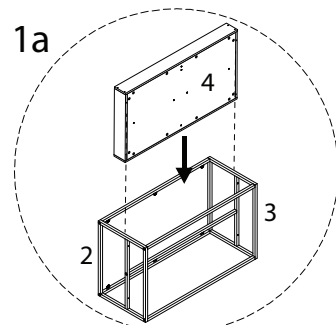
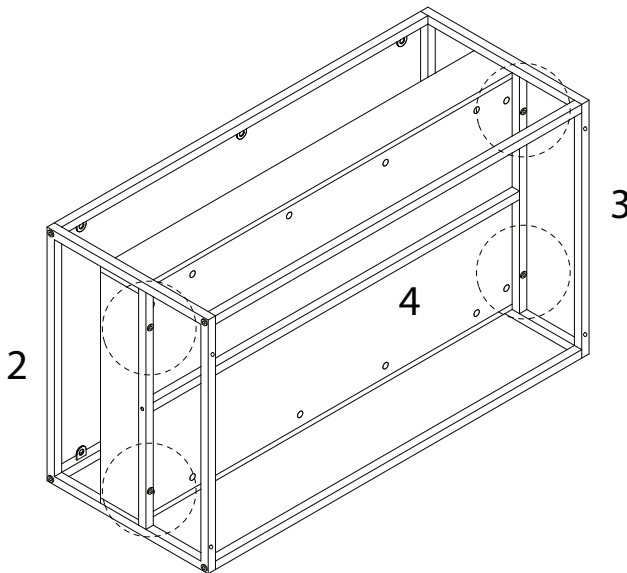
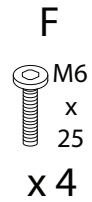
E
M6
x
30
x 5



11

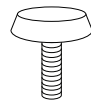


12

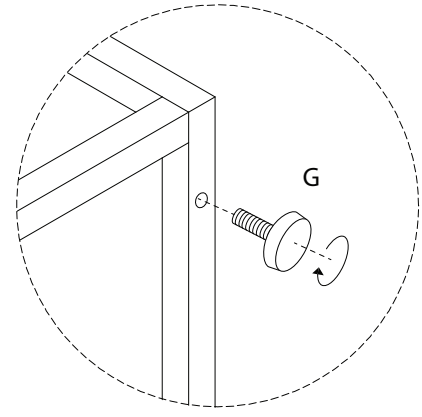
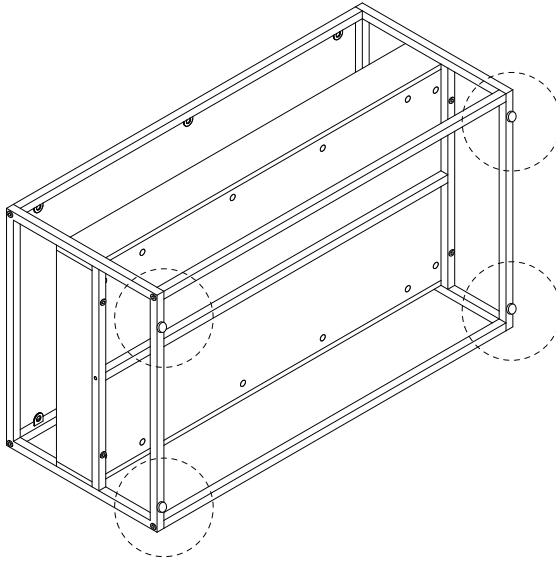


13

G



x 4

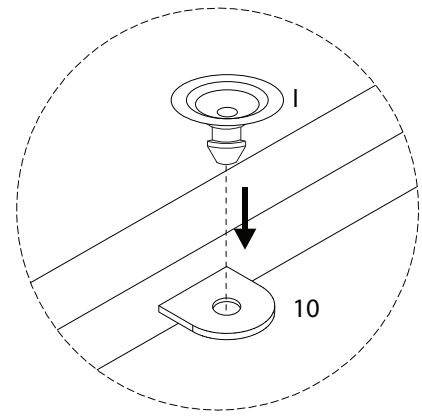
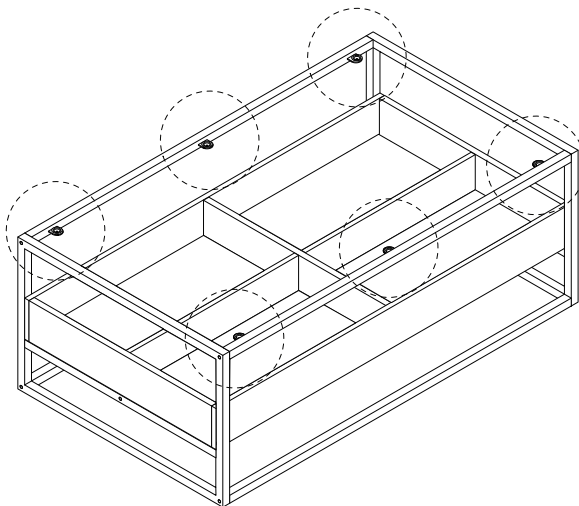


14

I



x 6



15

