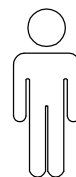
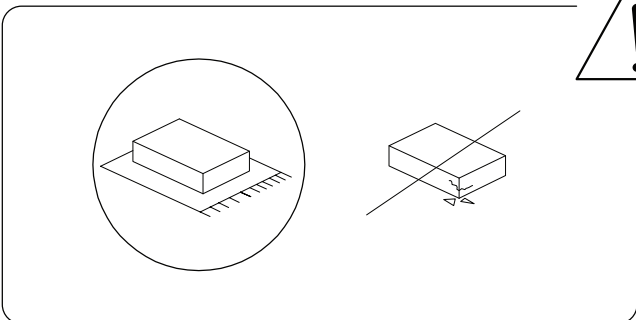
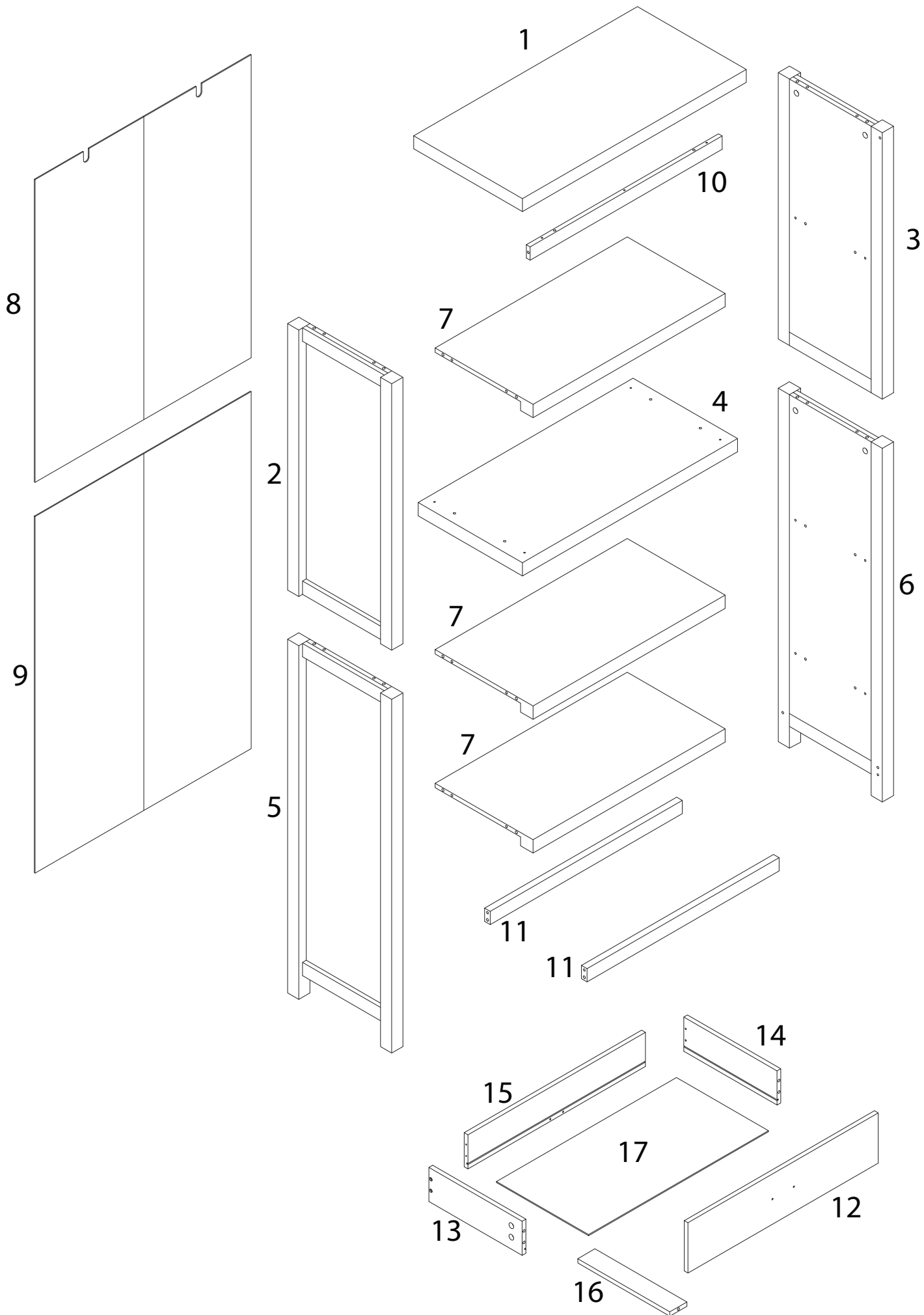
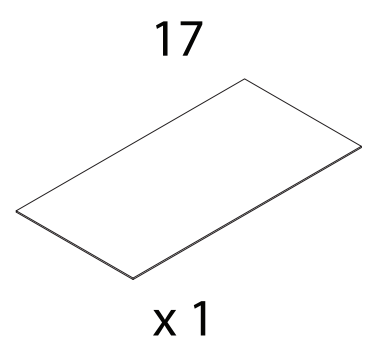
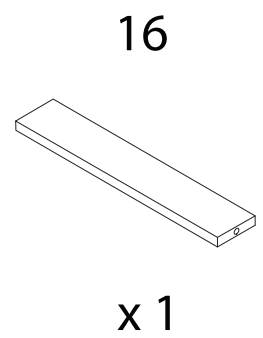
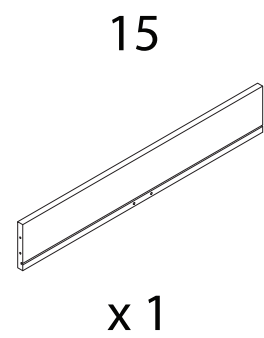
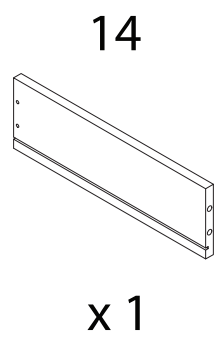
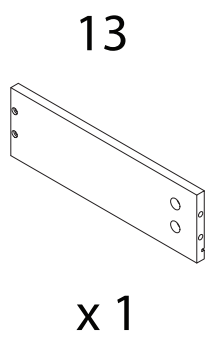
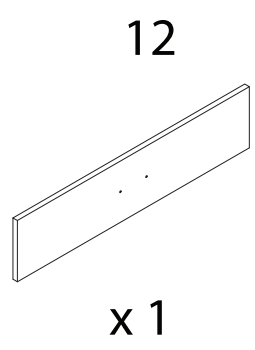
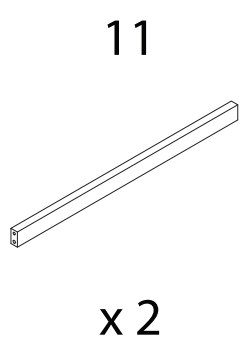
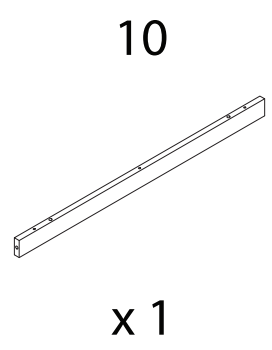
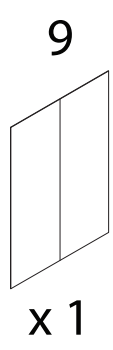
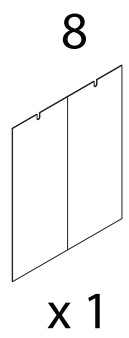
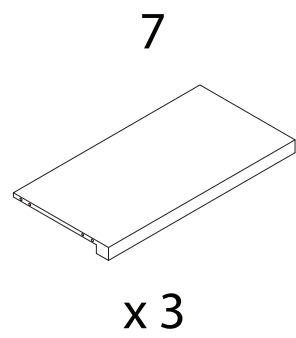
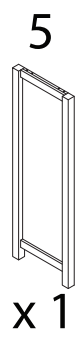
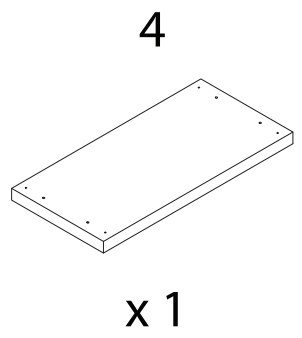
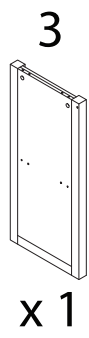
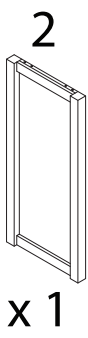
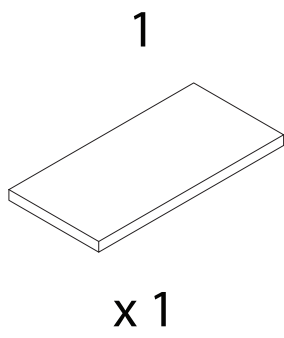


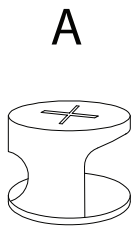
30'



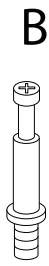
2







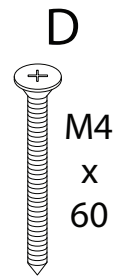
x 31



x 31



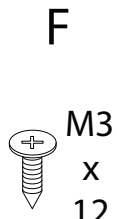
x 30



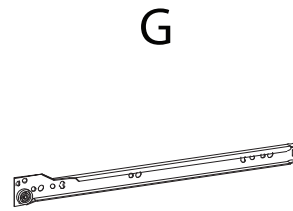
x 4



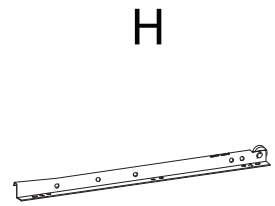
x 11



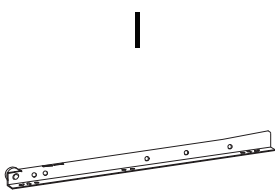
x 12



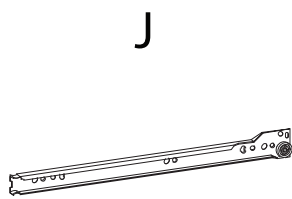
x 1



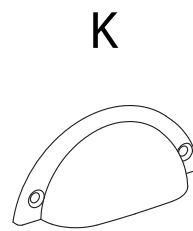
x 1



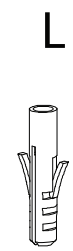
x 1



x 1



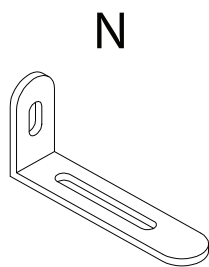
x 1



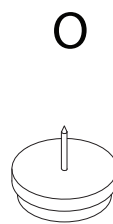
x 2



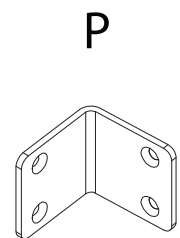
x 10



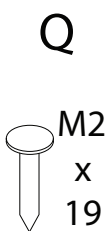
x 2



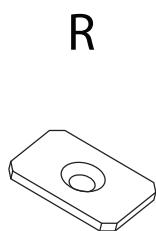
x 4



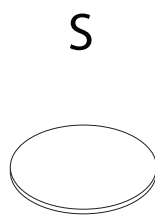
x 2



x 22



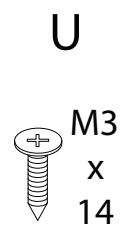
x 4



x 16

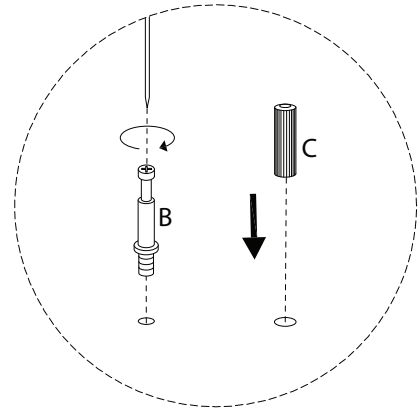
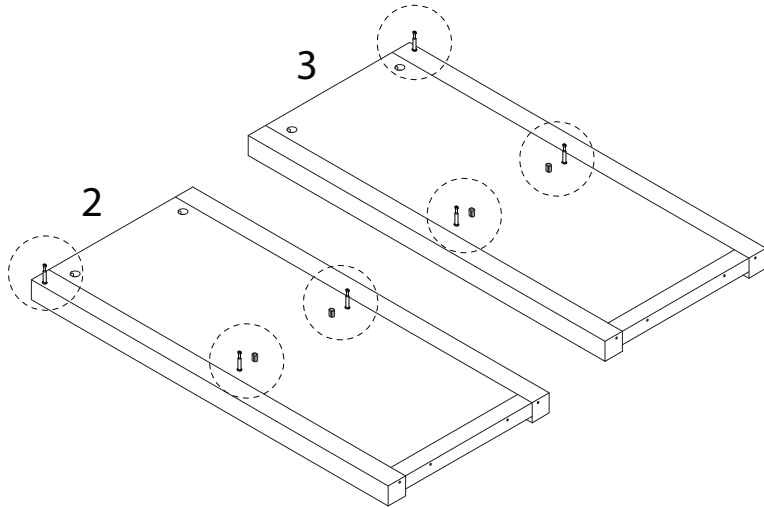
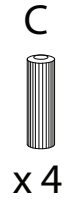
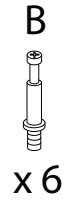


x 2

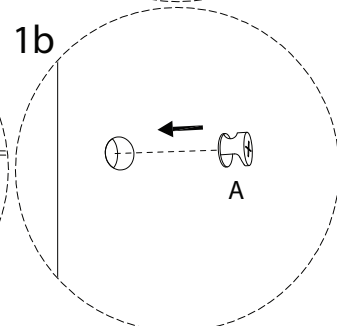
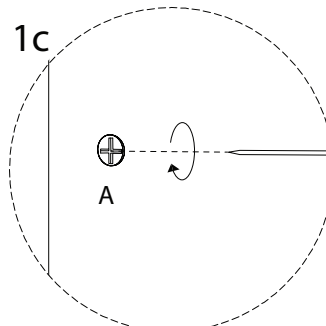
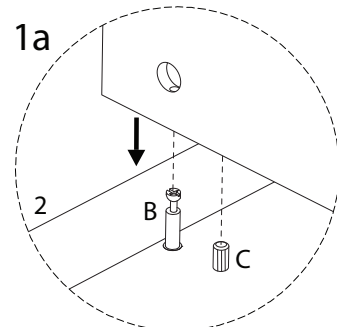
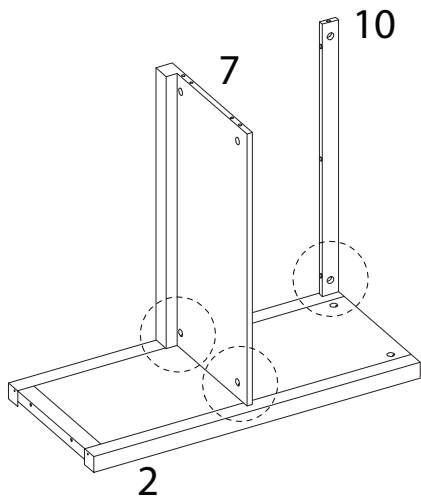
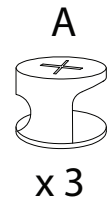
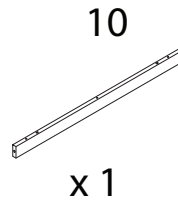
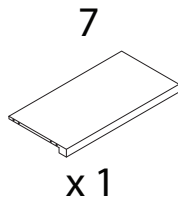


x 2

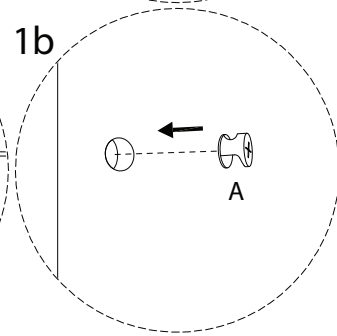
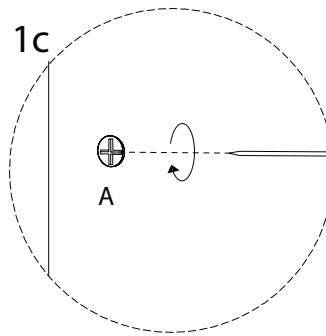
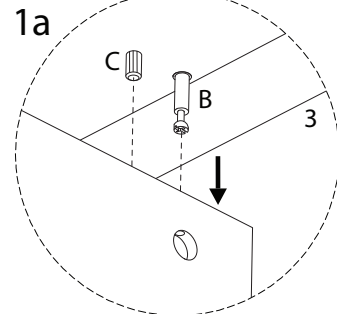
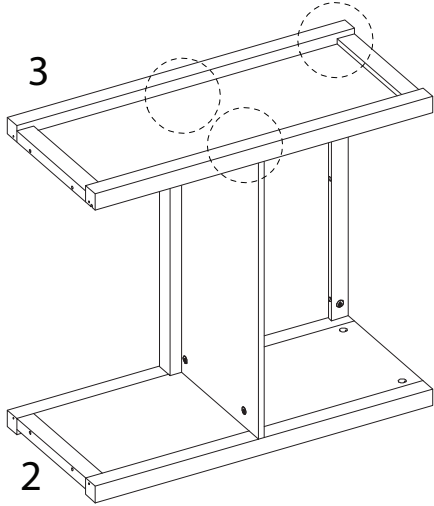
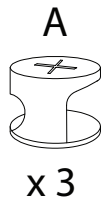
1



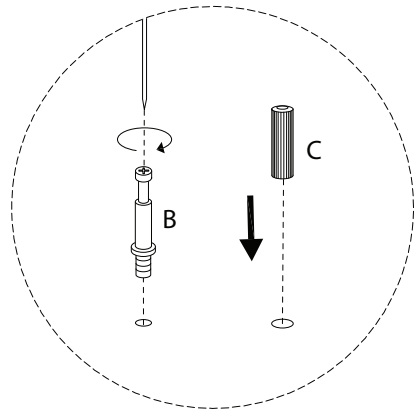
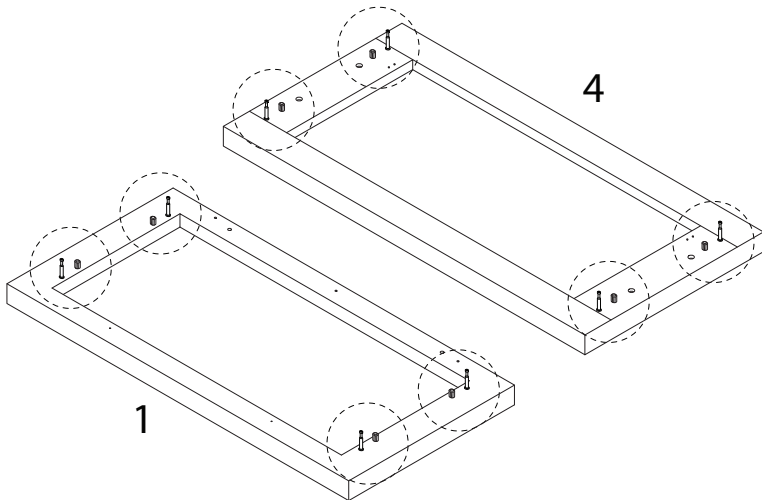
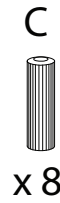
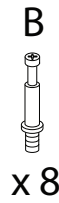
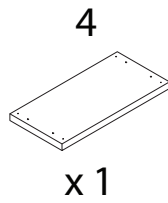
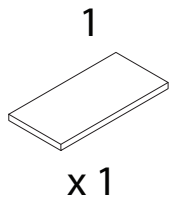
2



3

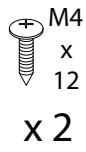


4

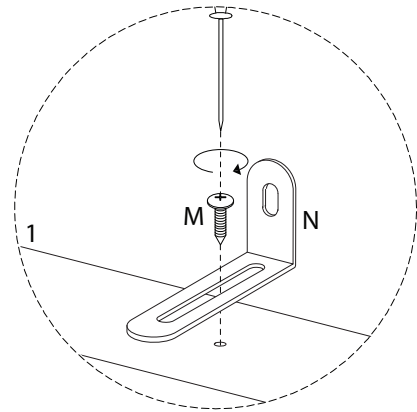
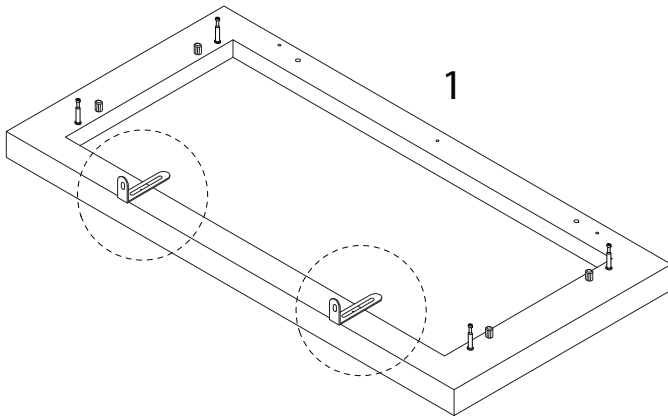
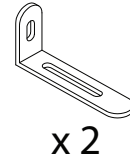


5

M

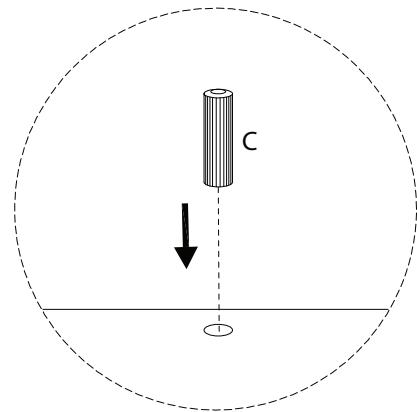
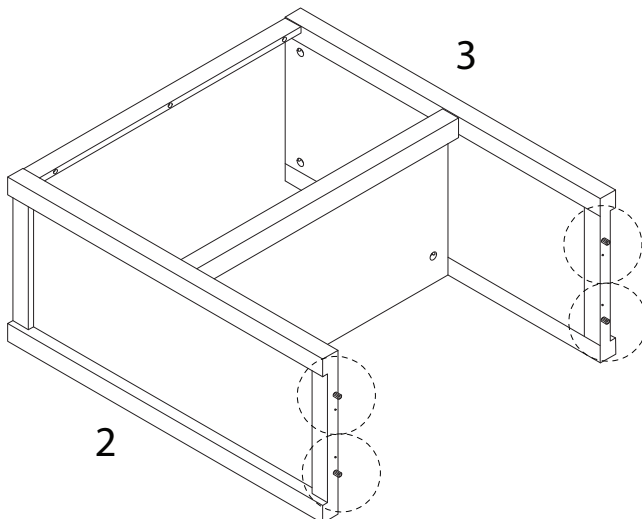


N



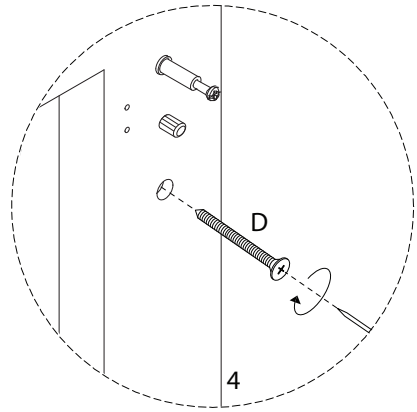
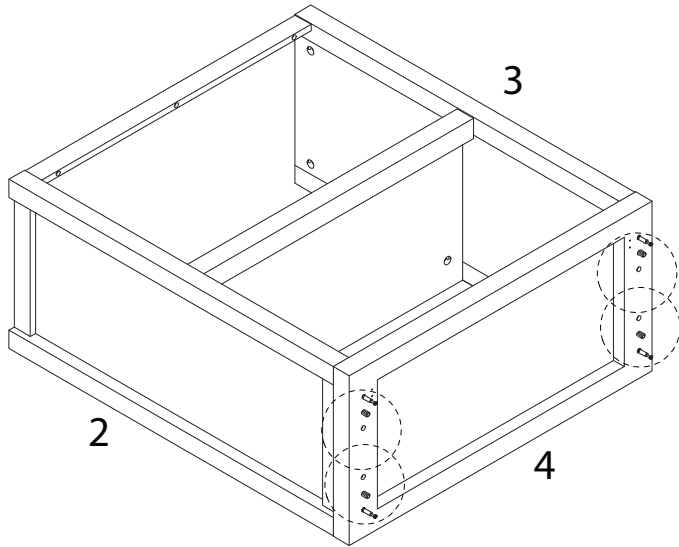
6

C



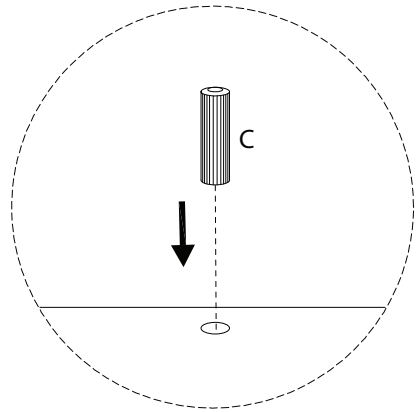
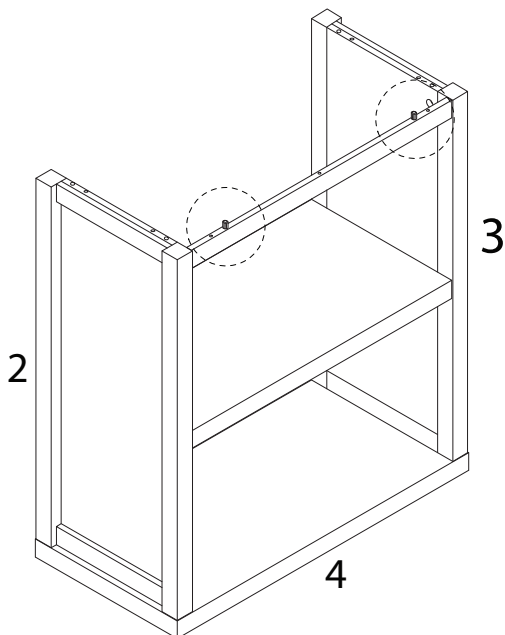
7

D
M4
x
60
x 4



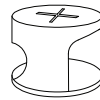
8

C
x 4

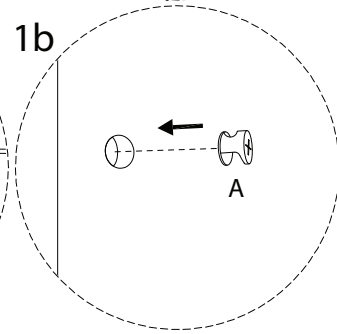
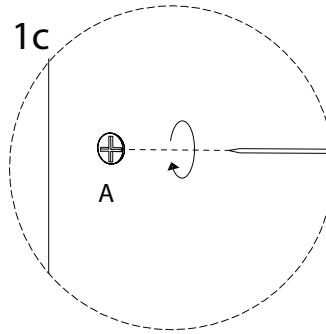
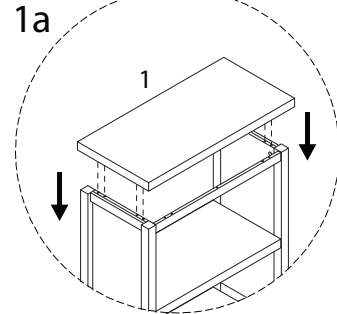
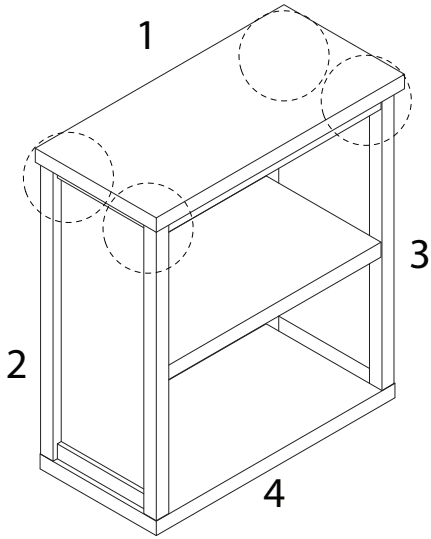


9

A

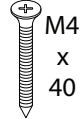


x 4

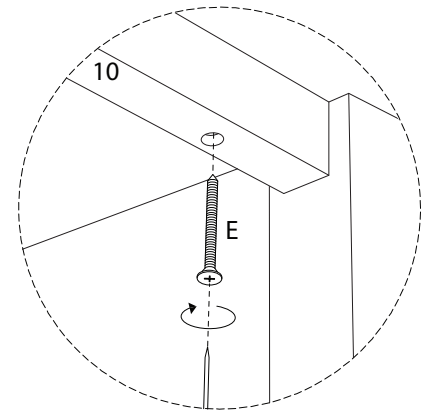
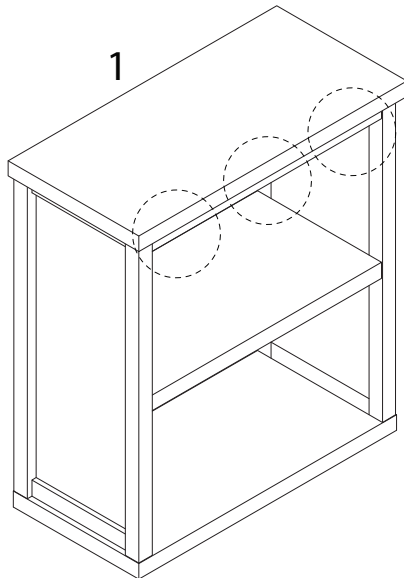


10

E



x 3



11

5



x 1

6



x 1

B

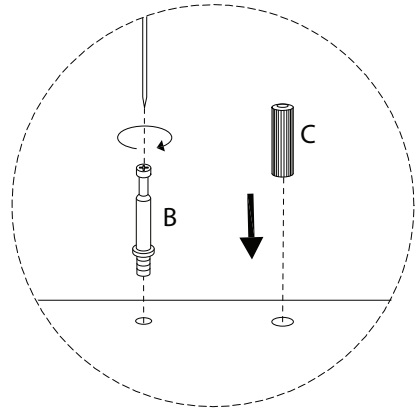
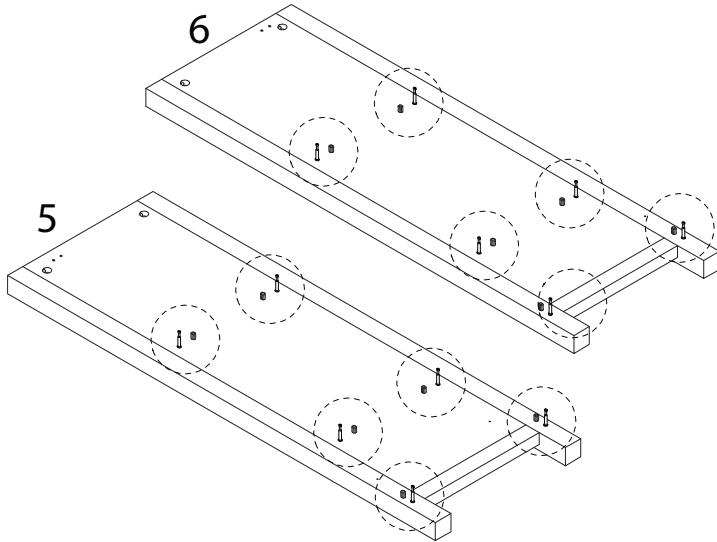


x 12

C



x 12



12

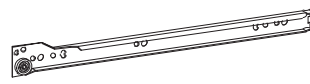
F



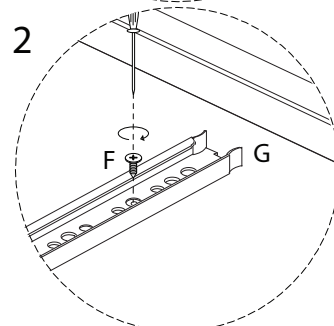
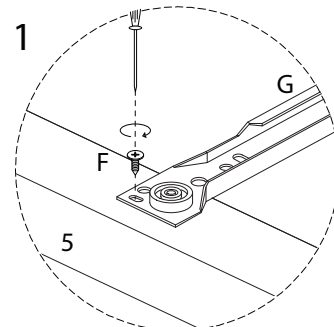
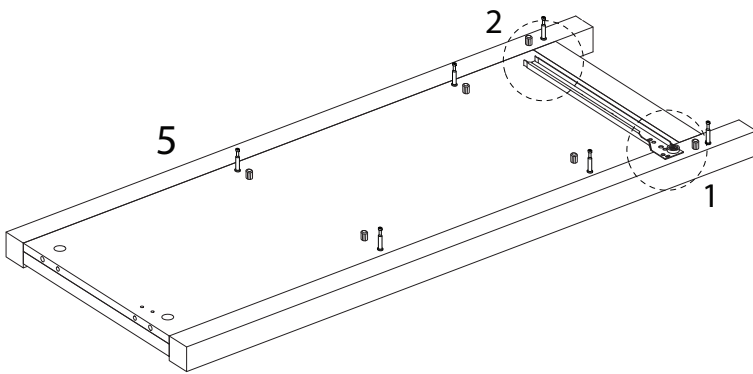
M3
x 12

x 2

G

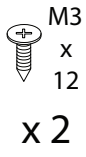


x 1

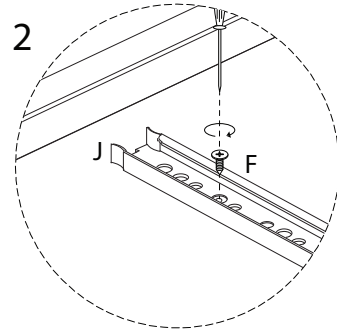
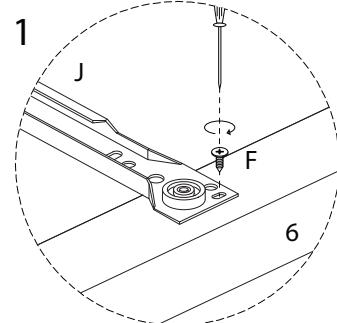
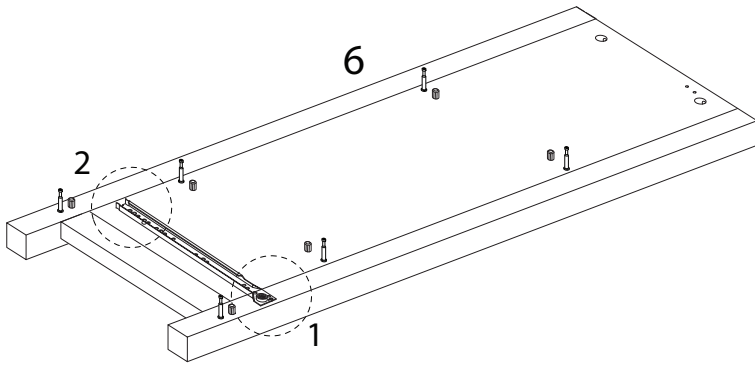
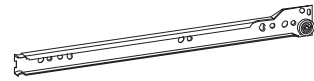


13

F

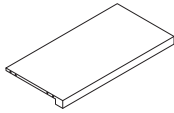


J



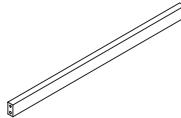
14

7



x 2

11

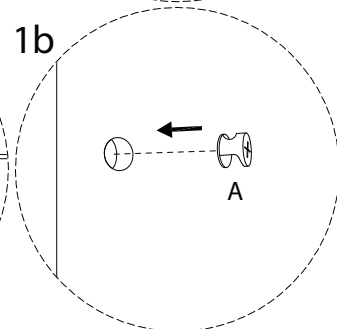
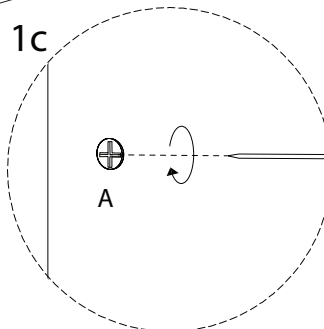
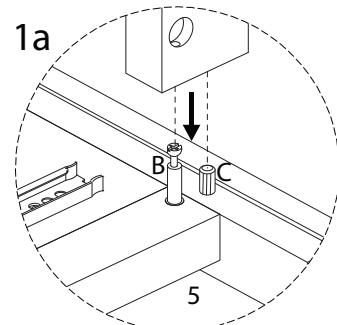
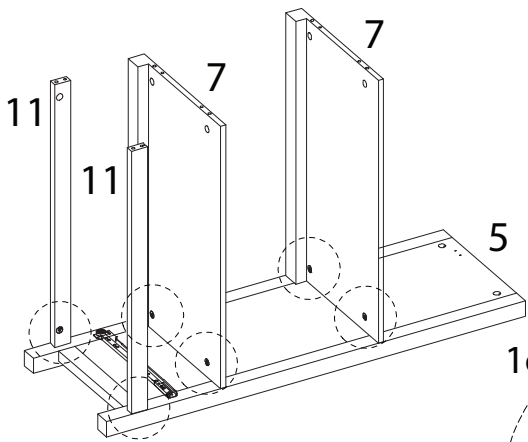


x 2

A



x 6

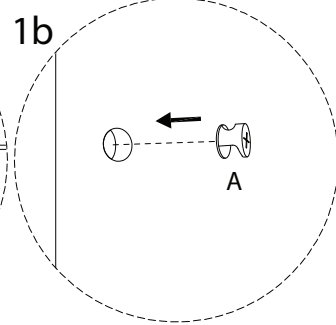
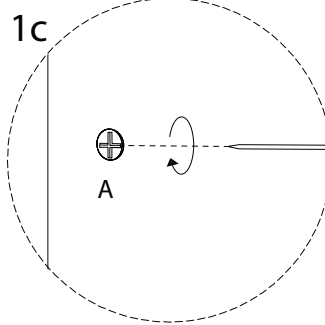
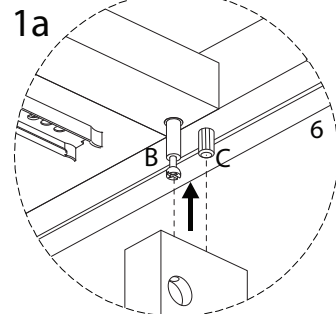
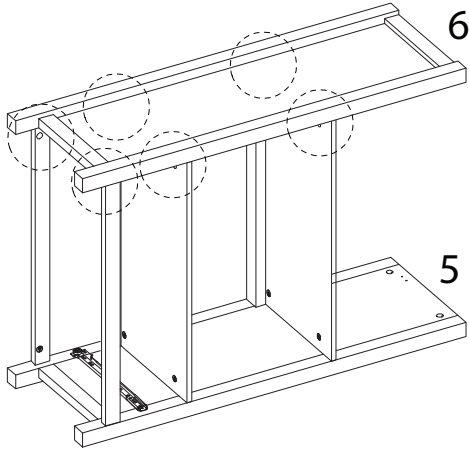


15

A



x 6

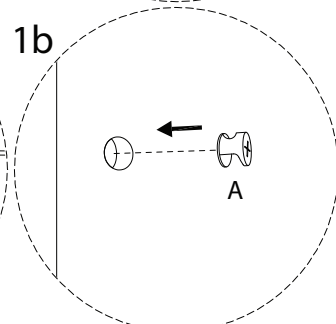
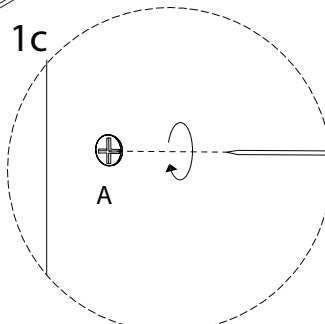
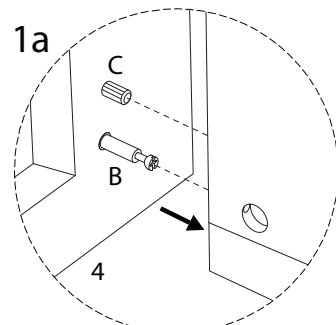
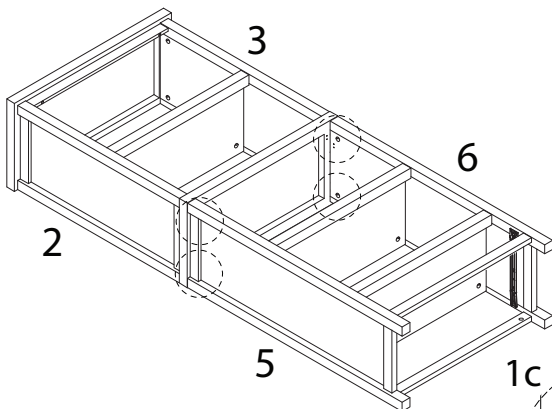


16

A

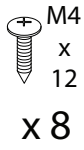


x 4

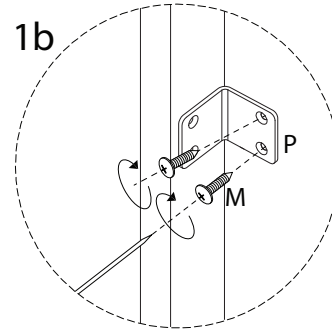
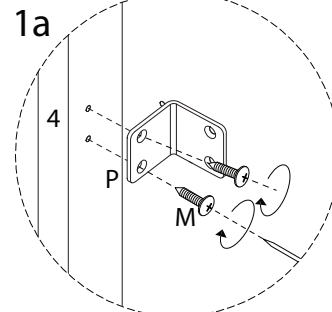
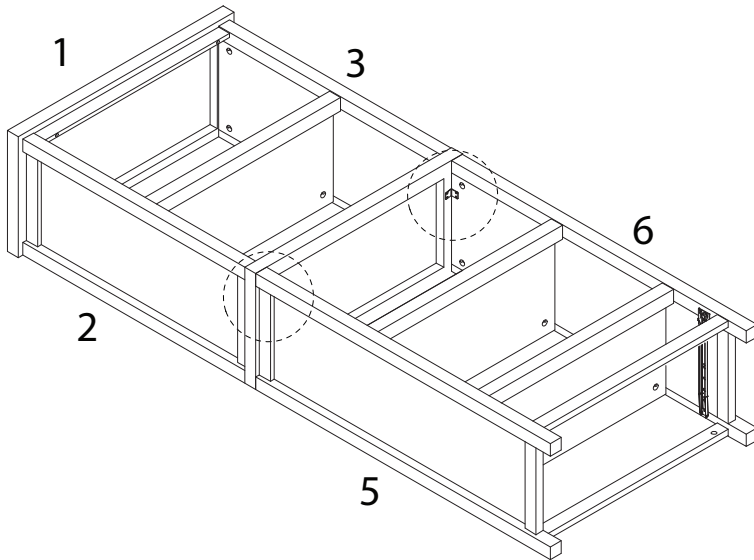
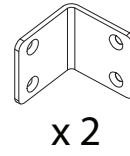


17

M

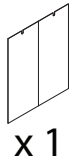


P



18

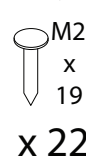
8



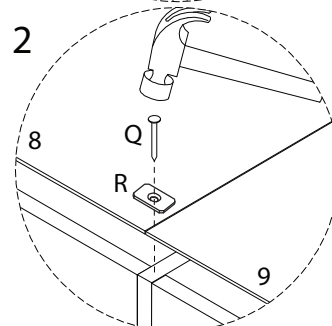
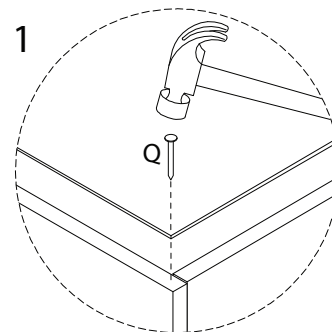
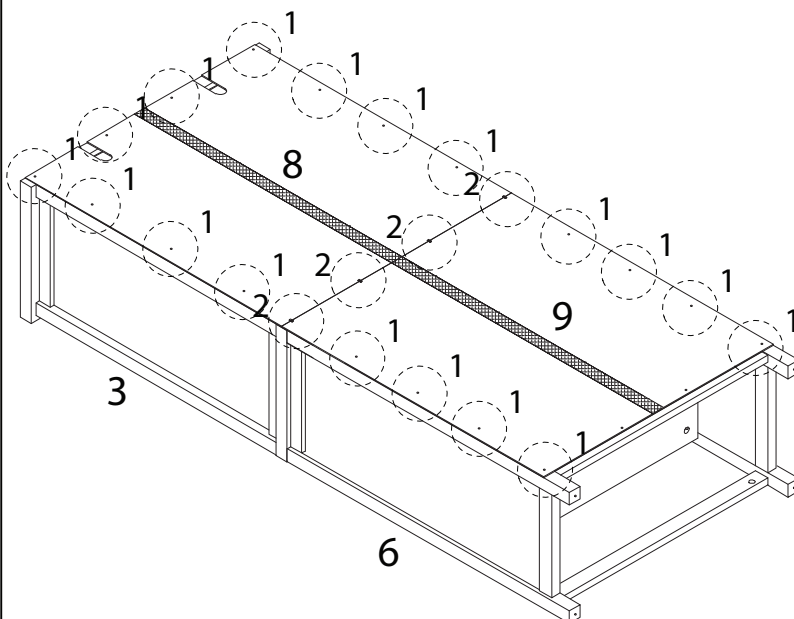
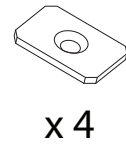
9



Q



R

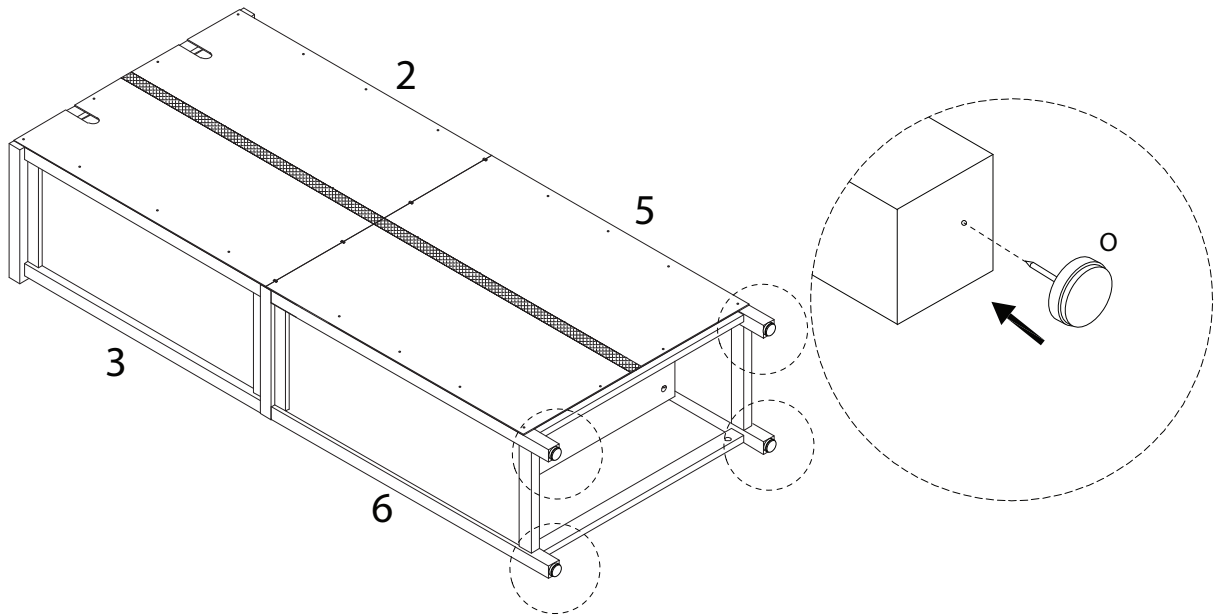


19

O



x 4

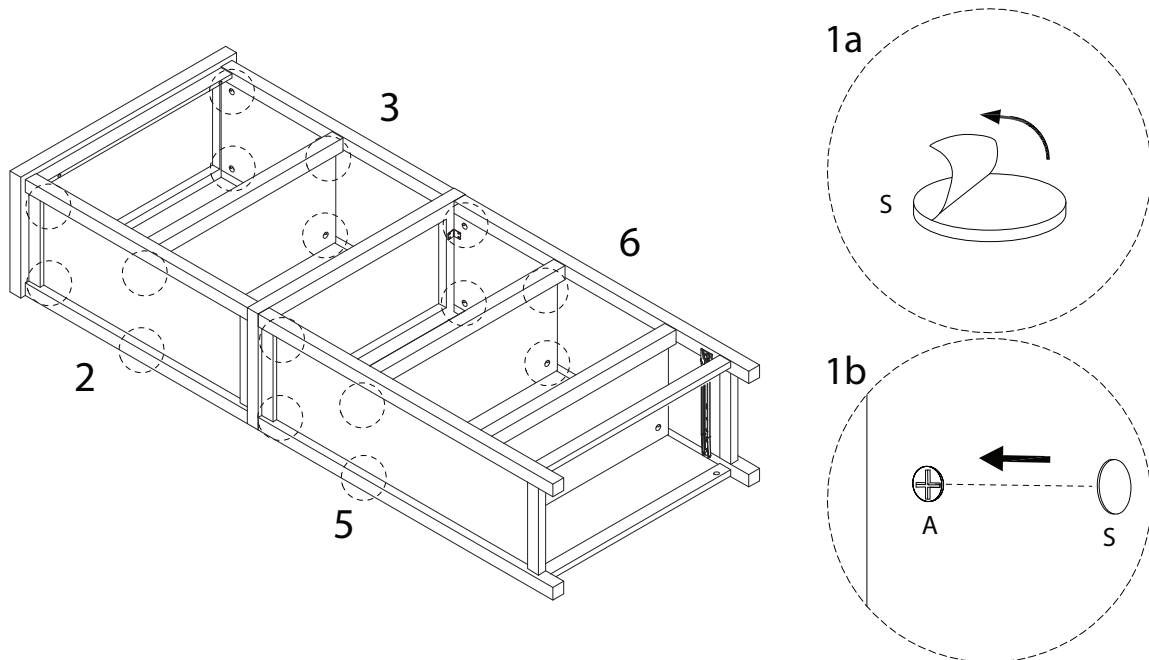


20

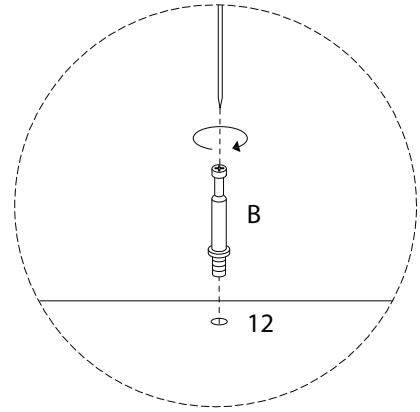
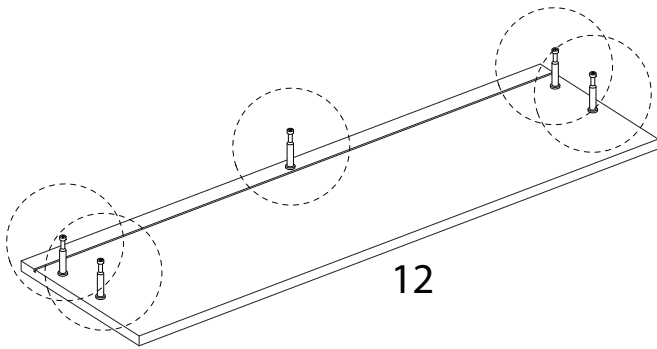
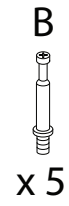
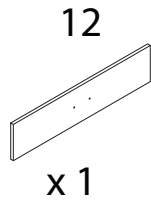
S



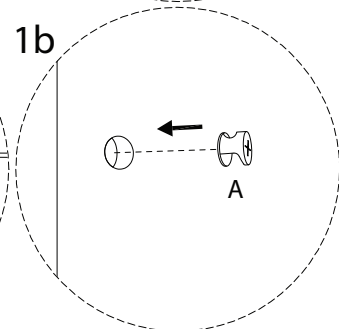
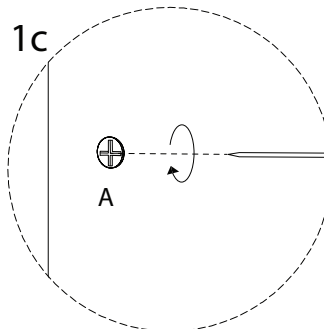
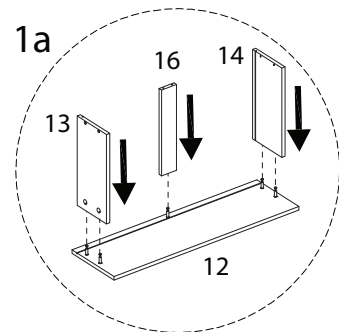
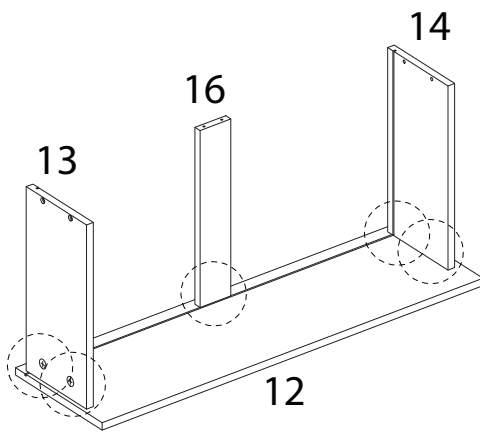
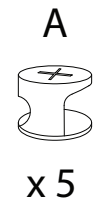
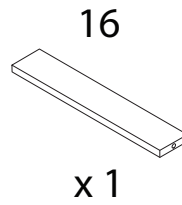
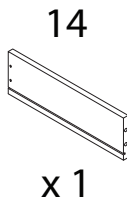
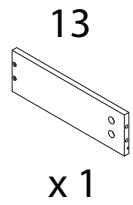
x 16



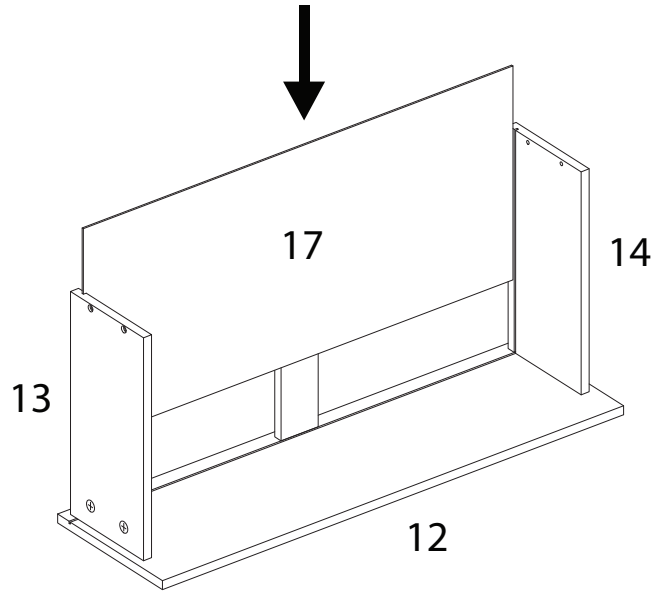
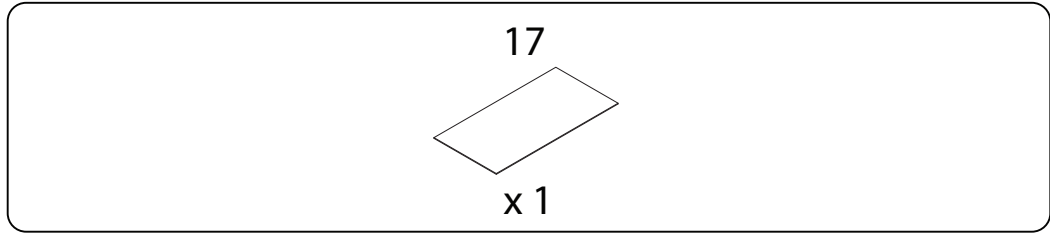
21



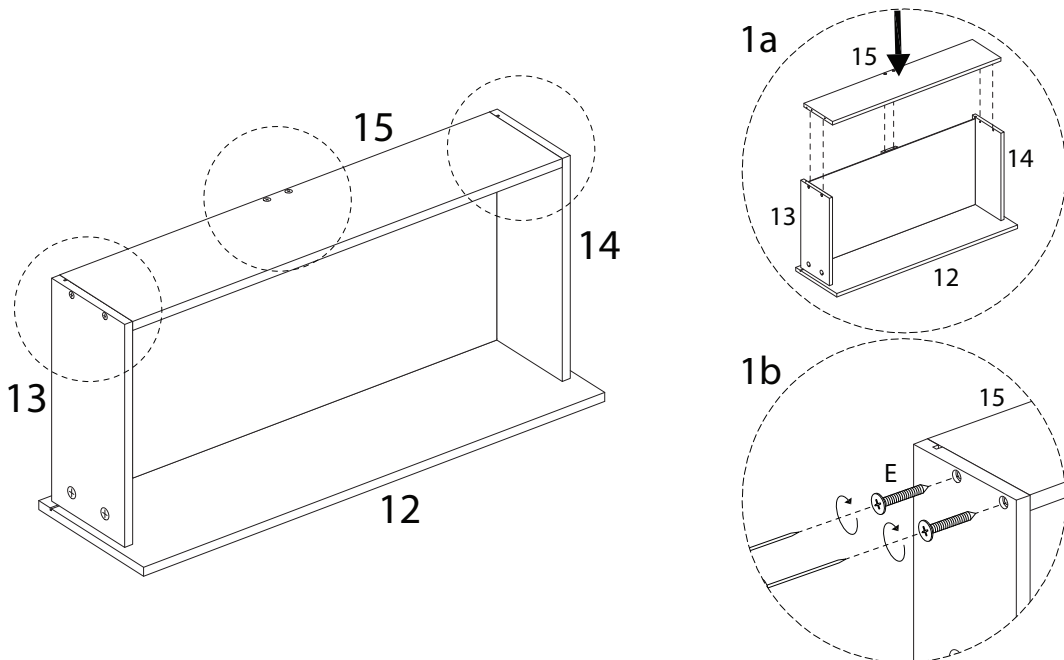
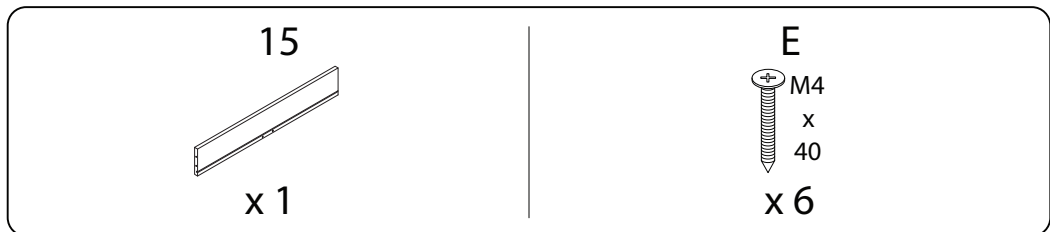
22



23



24

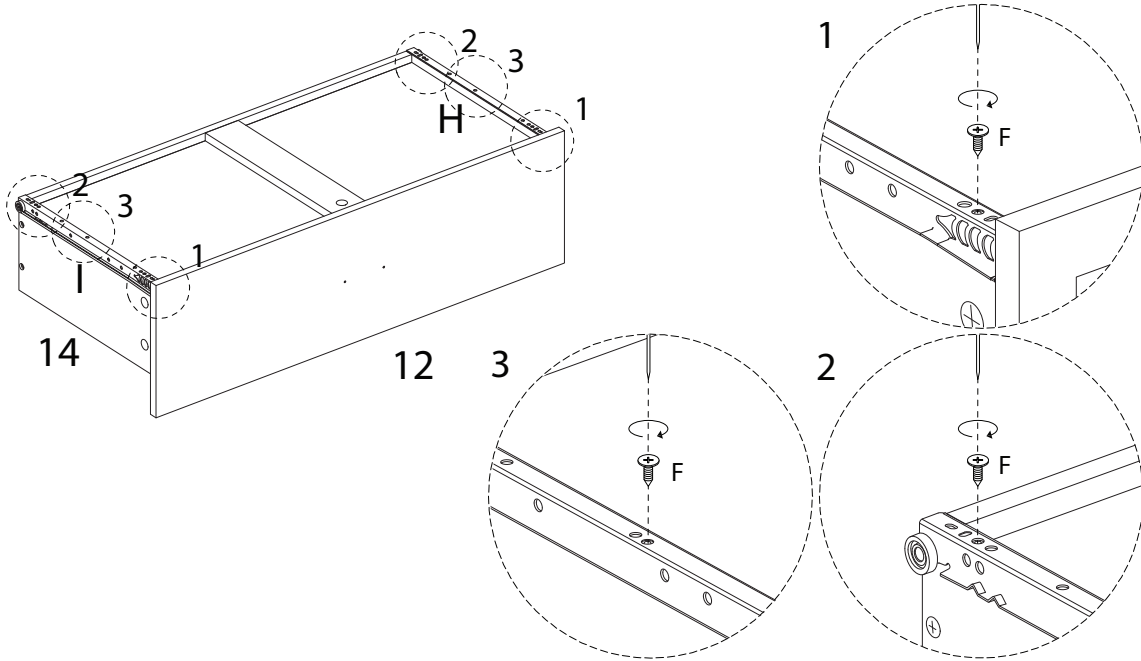


25

F
M3
x
12
x 6

H
x 1

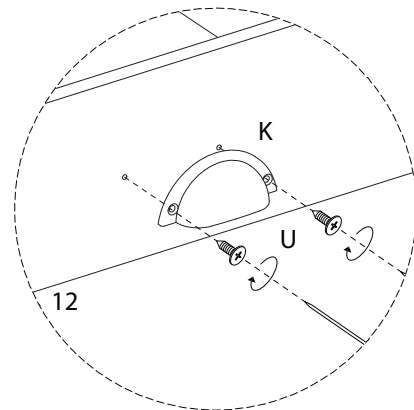
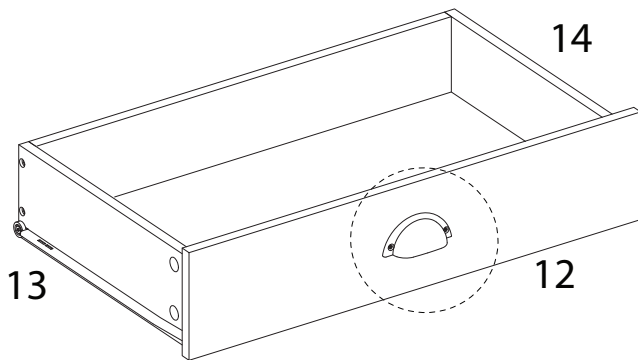
I
x 1



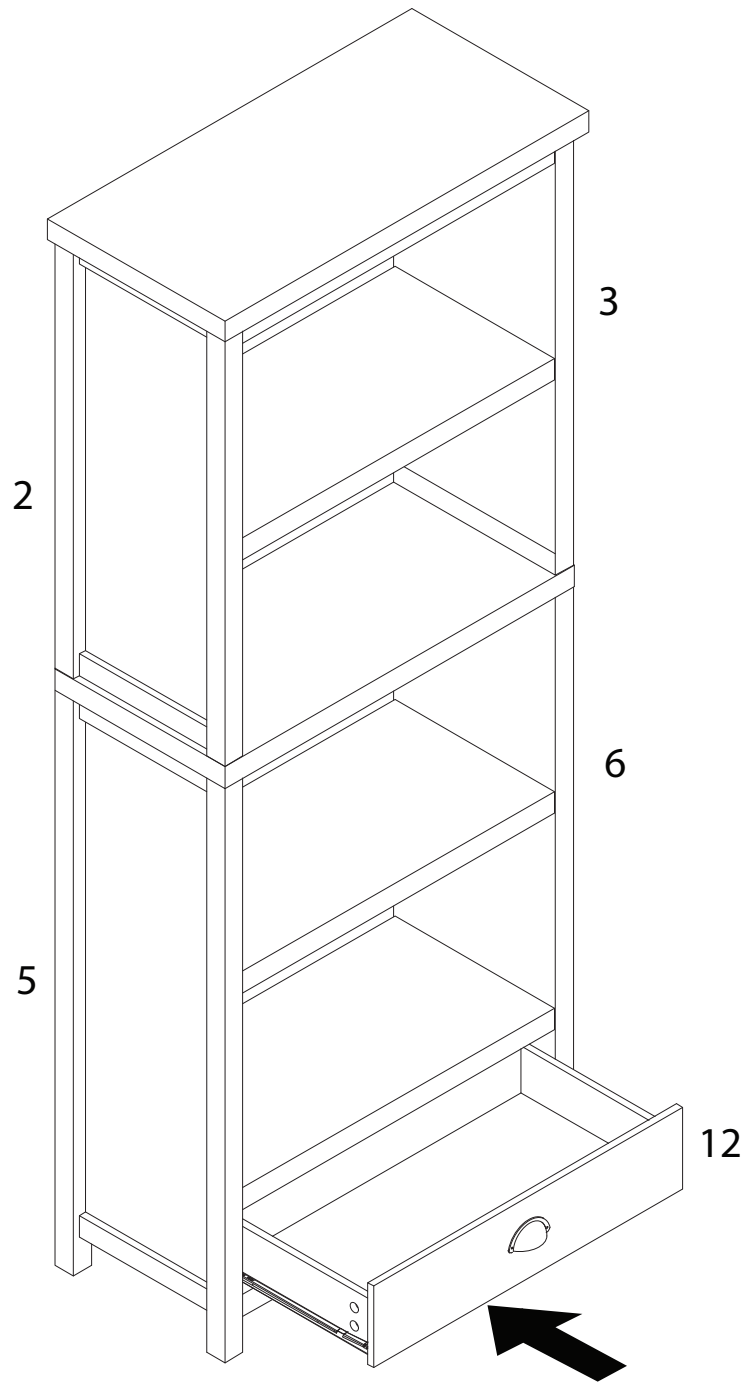
26

K
x 1

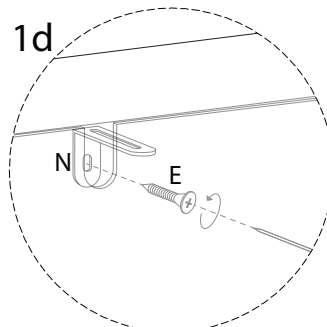
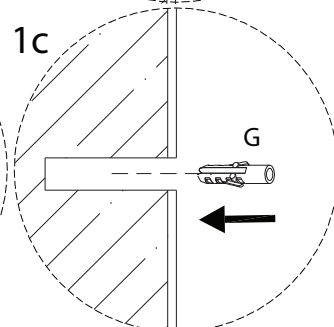
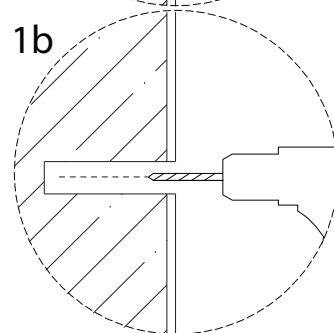
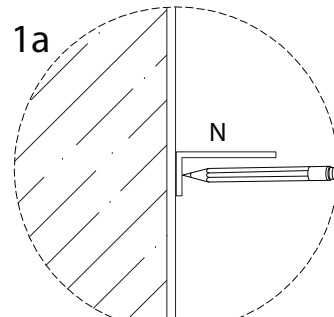
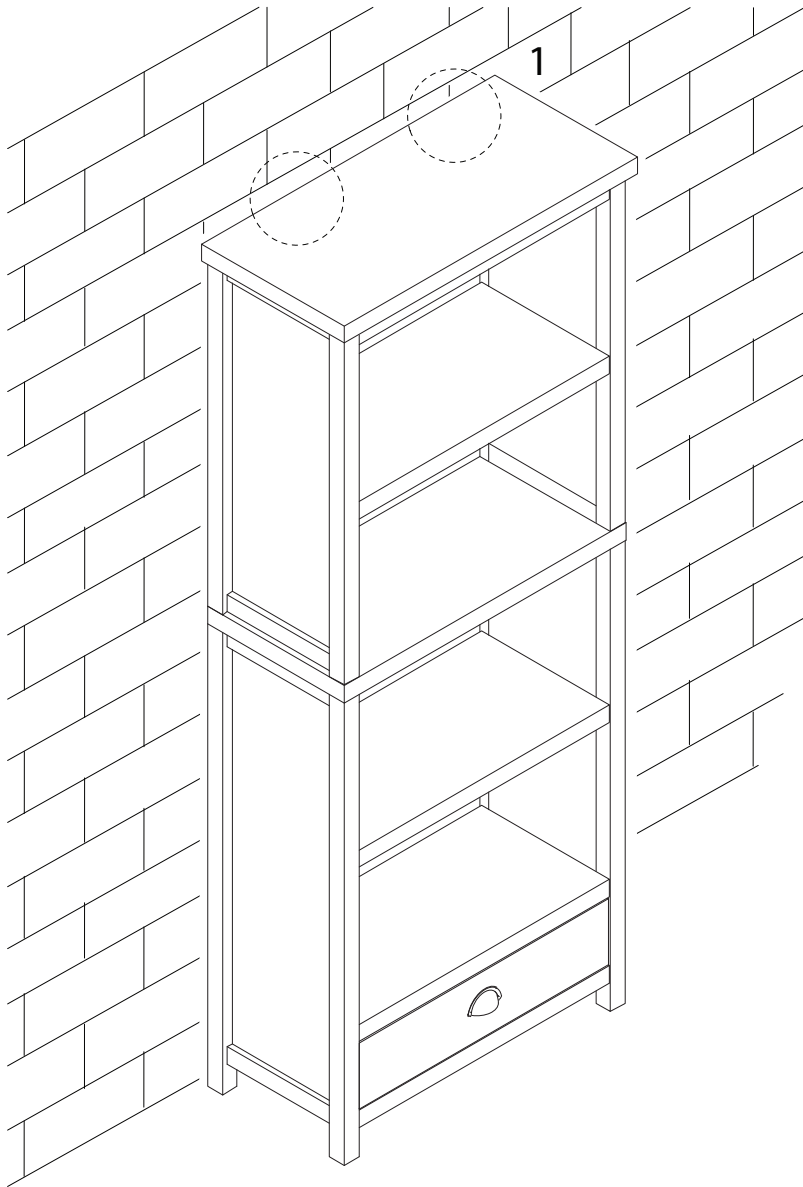
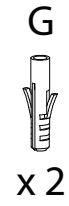
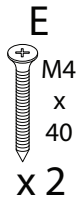
U
M3
x
14
x 2



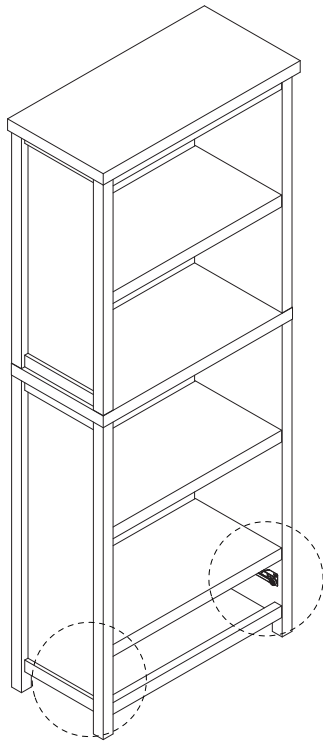
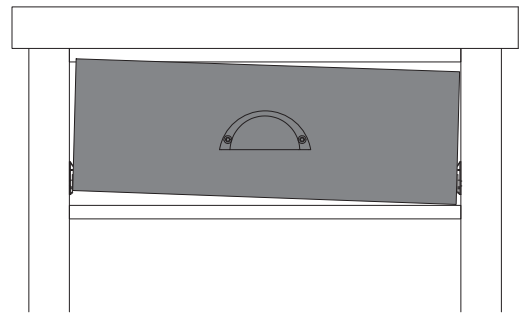
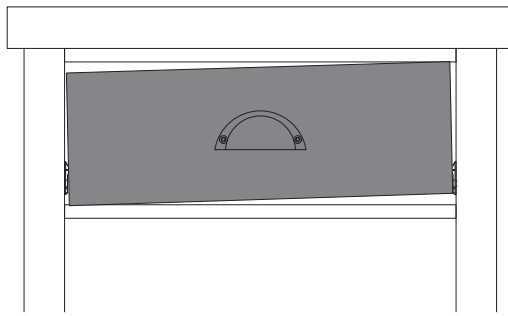
27



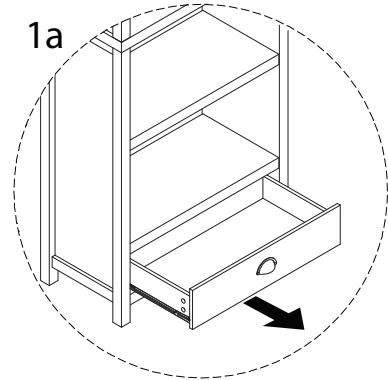
28



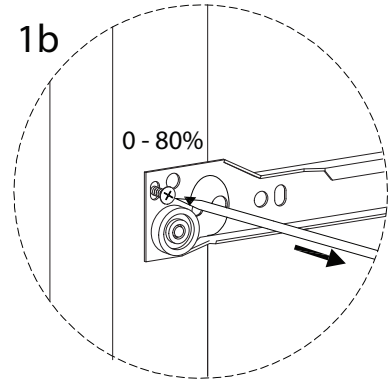
!



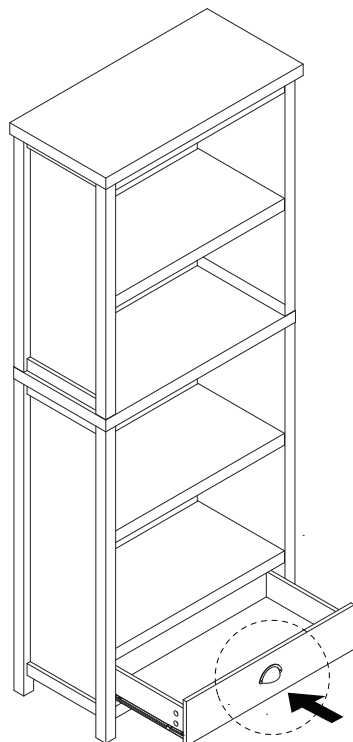
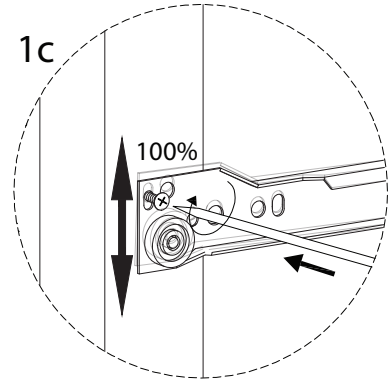
1a



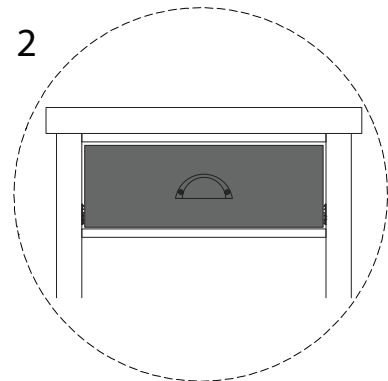
1b



1c



2



29

F
M3
x
12
x 2

