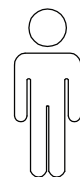
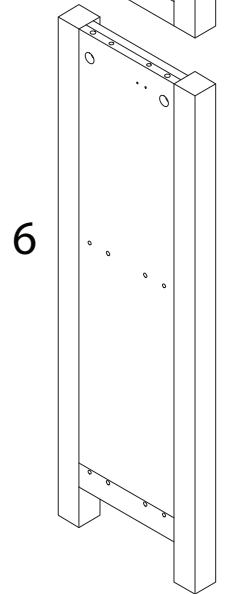
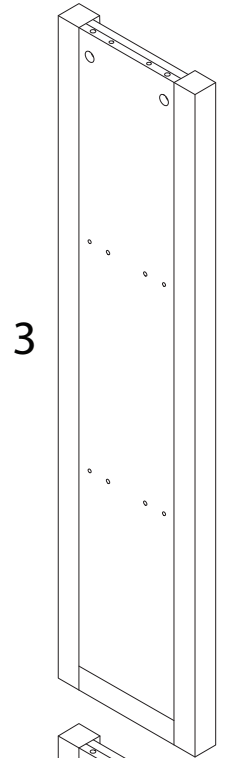
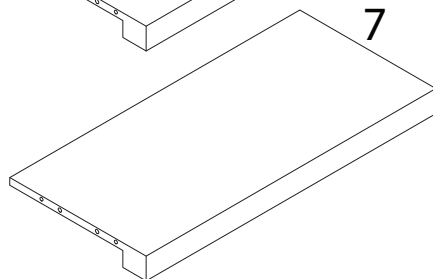
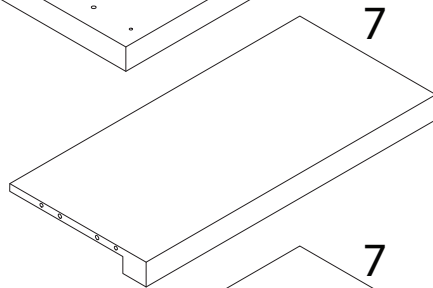
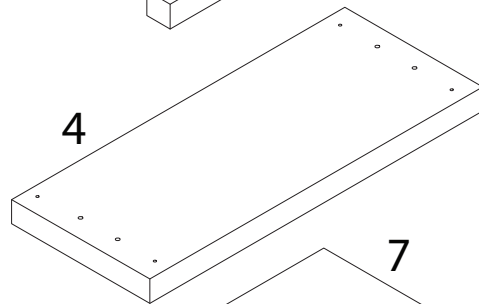
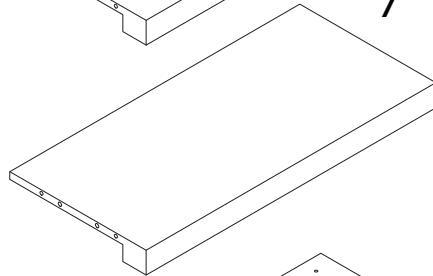
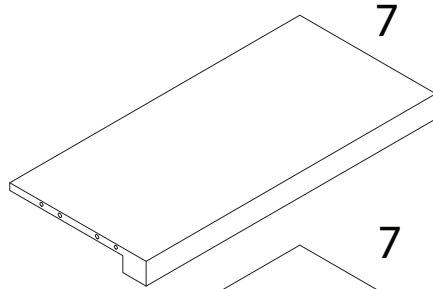
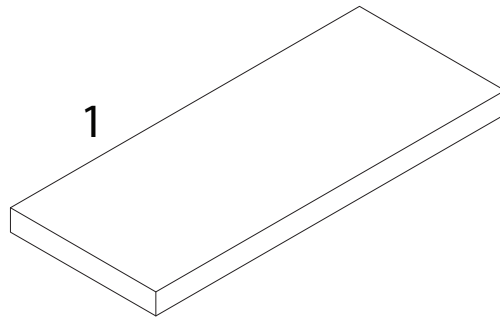
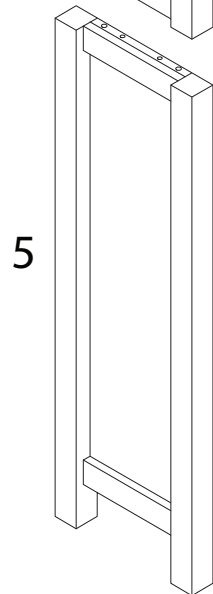
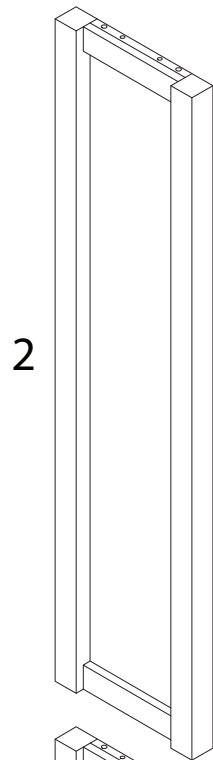
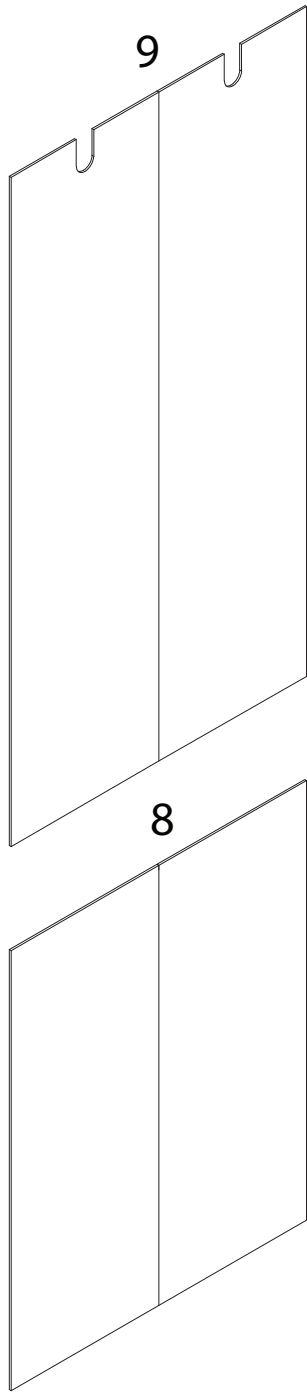


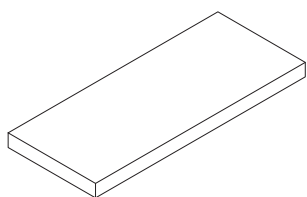
45'



2

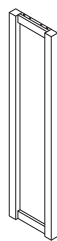


1



x 1

2



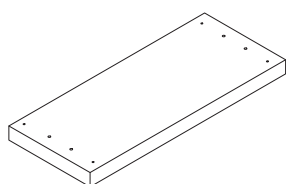
x 1

3



x 1

4



x 1

5



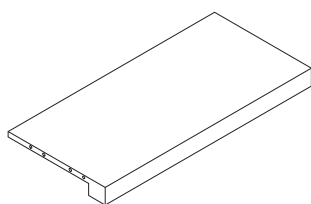
x 1

6



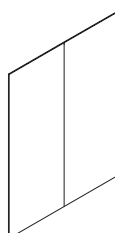
x 1

7



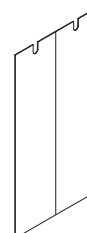
x 4

8



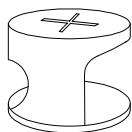
x 1

9



x 1

A



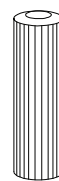
x 24

B



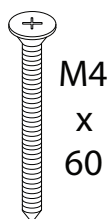
x 24

C



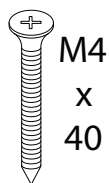
x 28

D



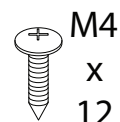
x 4

E



x 2

F



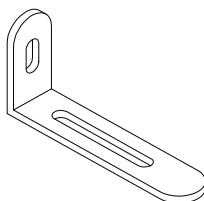
x 10

G



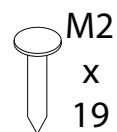
x 2

H



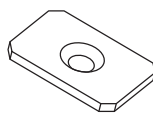
x 2

I



x 22

J



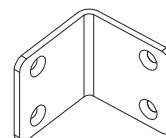
x 4

K



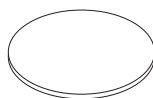
x 4

L



x 2

M



x 8

1

2



x 1

3



x 1

B

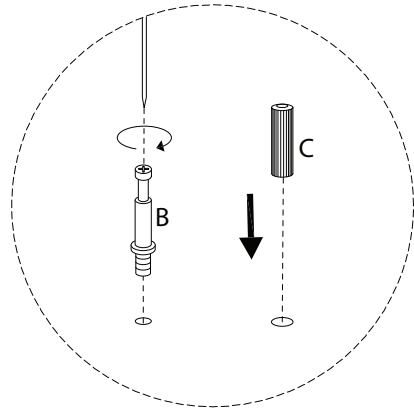
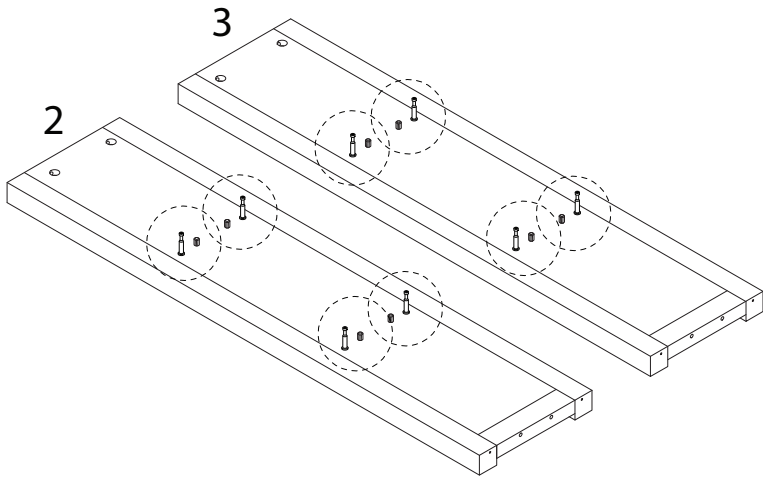


x 8

C

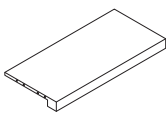


x 8



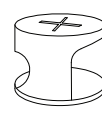
2

7

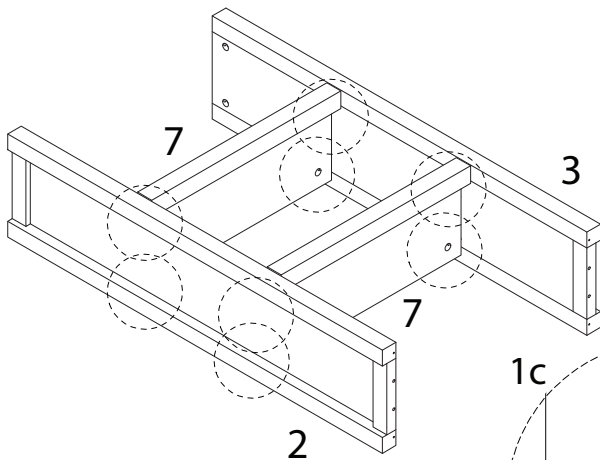


x 2

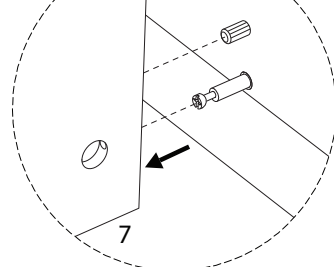
A



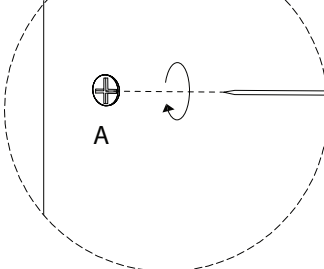
x 8



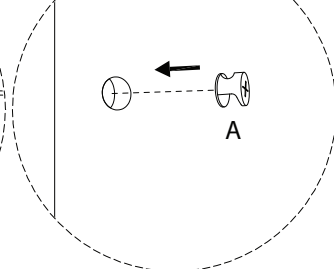
1a



1c

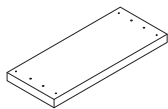


1b



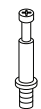
3

4

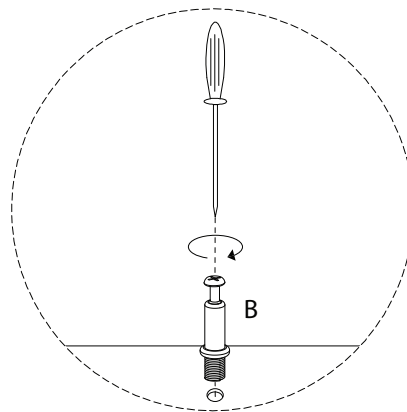
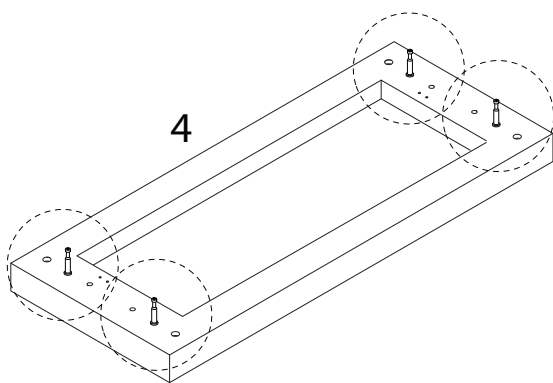


x 1

B



x 4

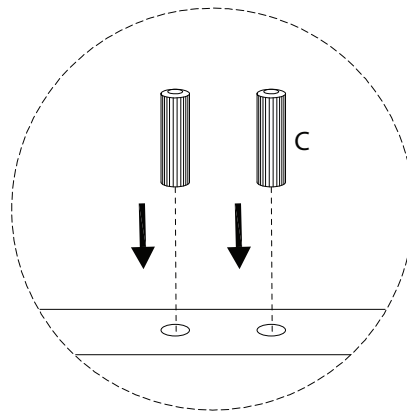
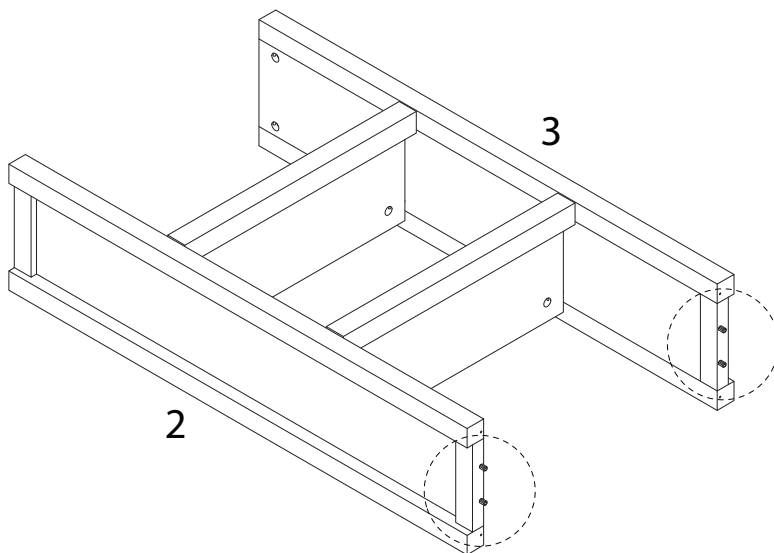


4

C

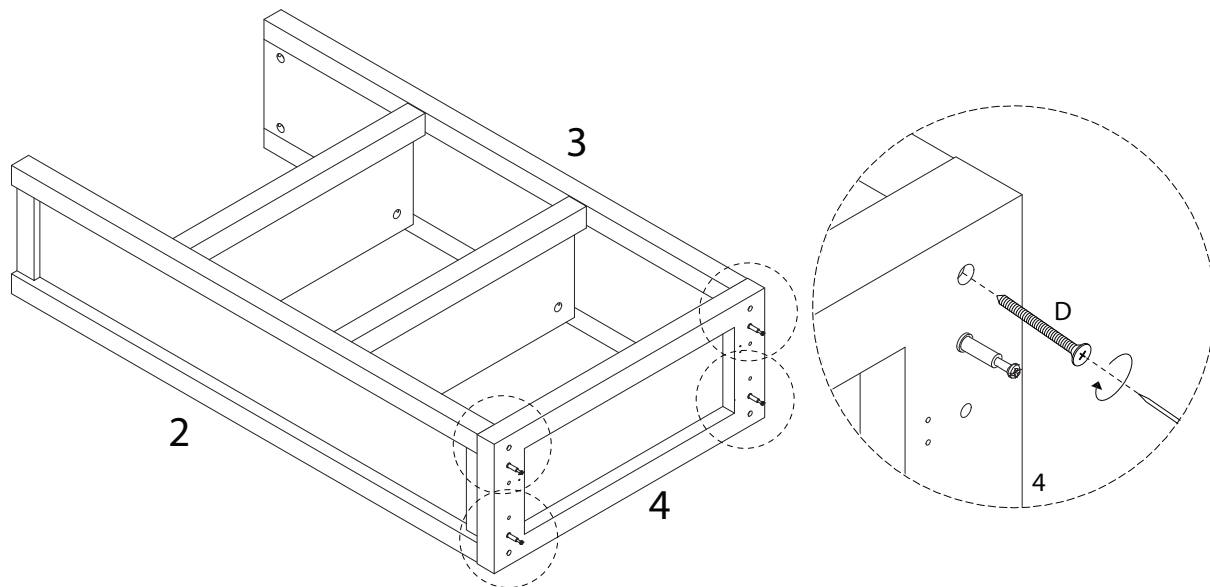


x 4



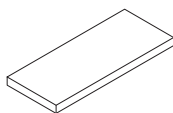
5

D  
M4  
x  
60  
x 4



6

1



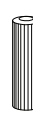
x 1

B

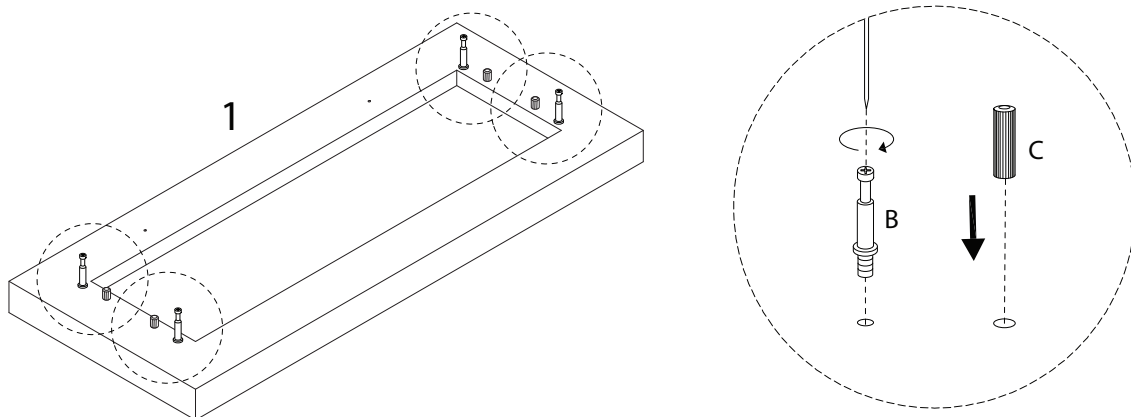


x 4

C

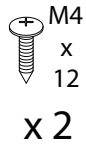


x 4

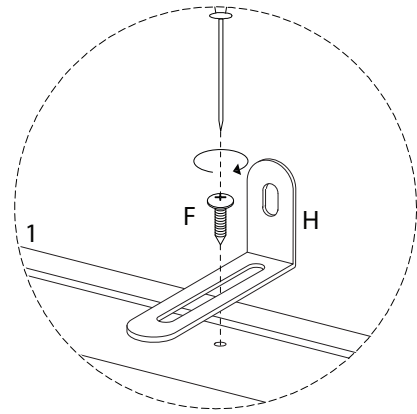
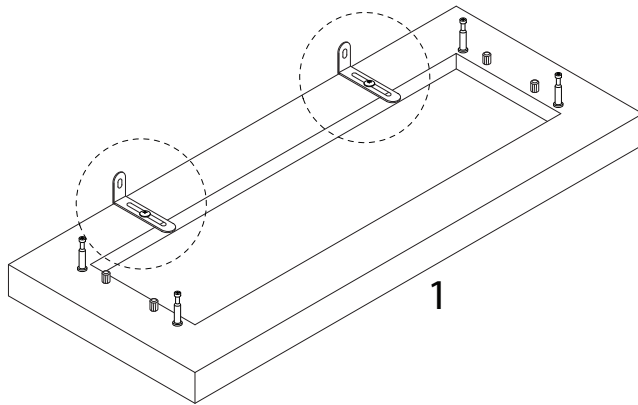
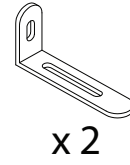


7

F

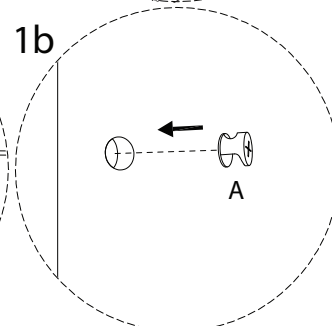
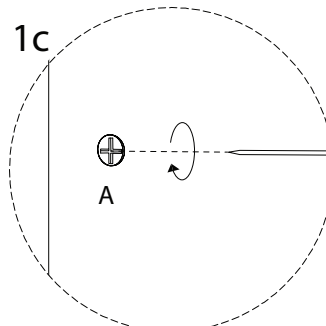
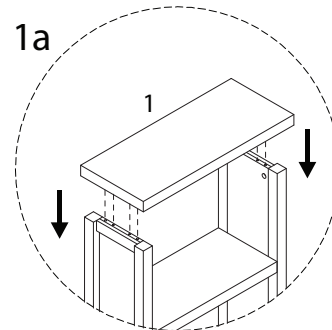
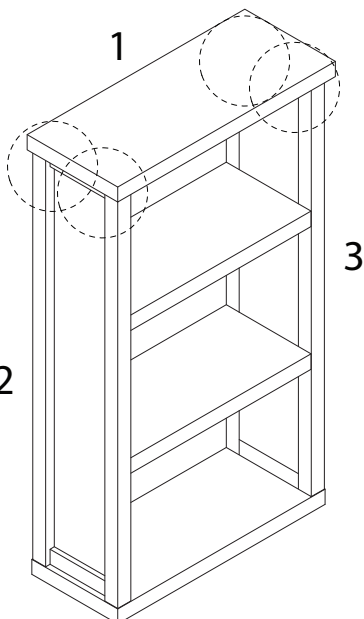


H



8

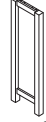
A





9

5



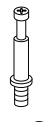
x 1

6



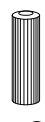
x 1

B

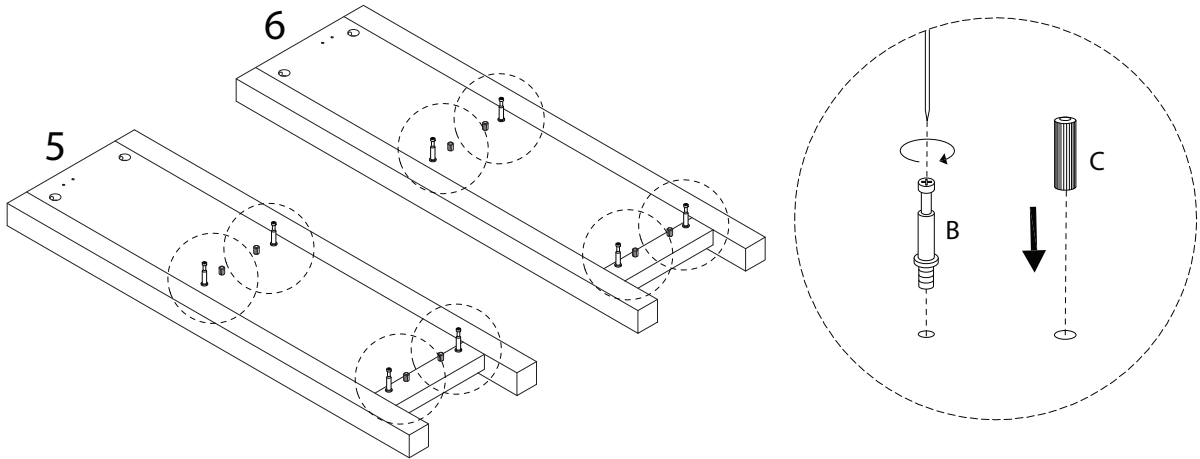


x 8

C

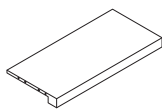


x 8



10

7

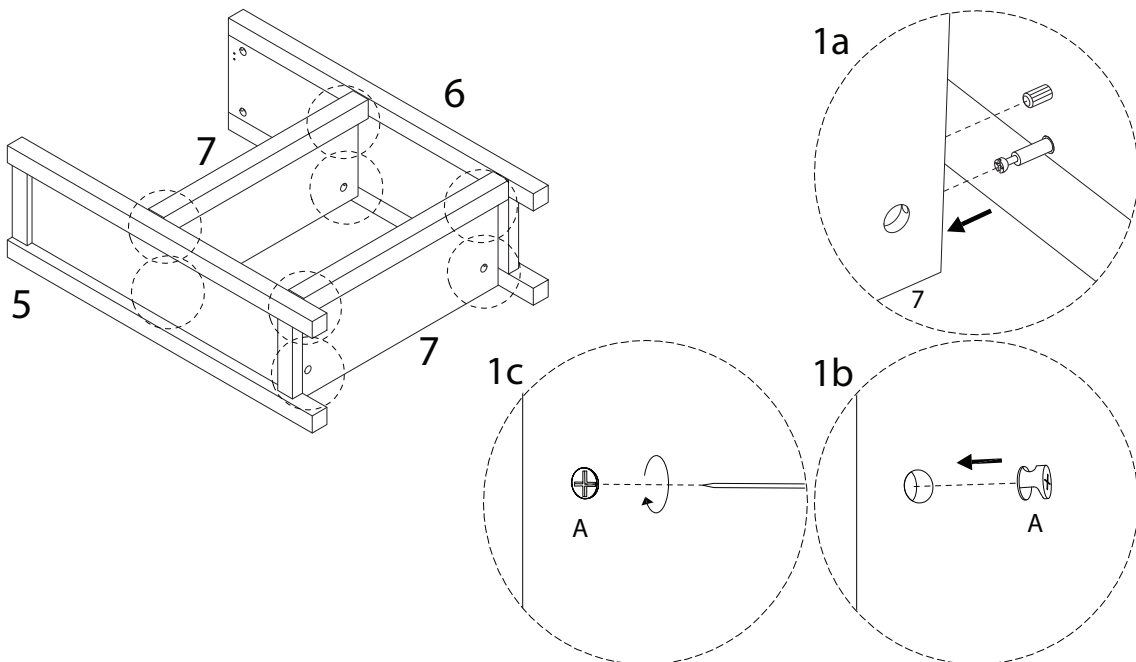


x 2

A



x 8

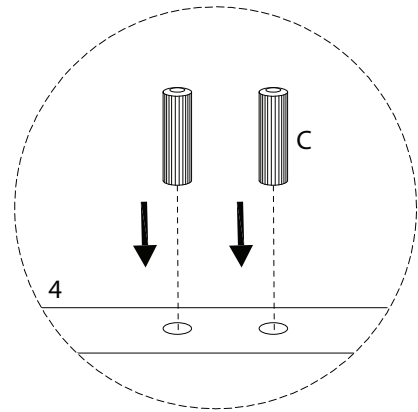
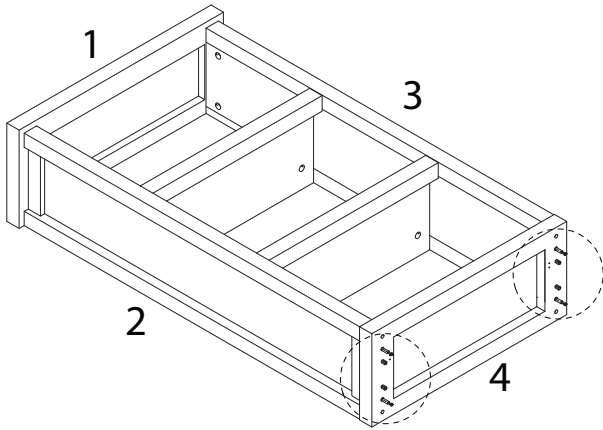


11

C



x 4

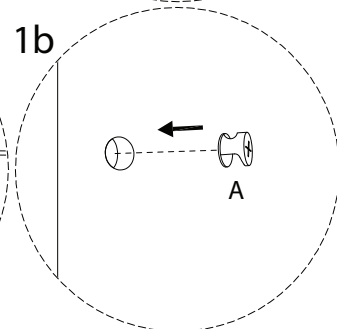
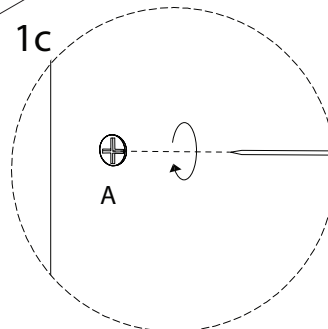
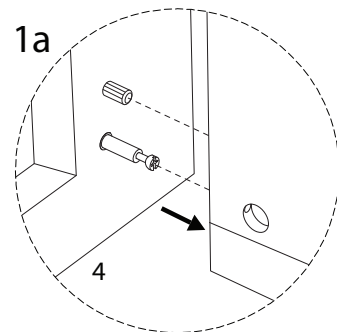
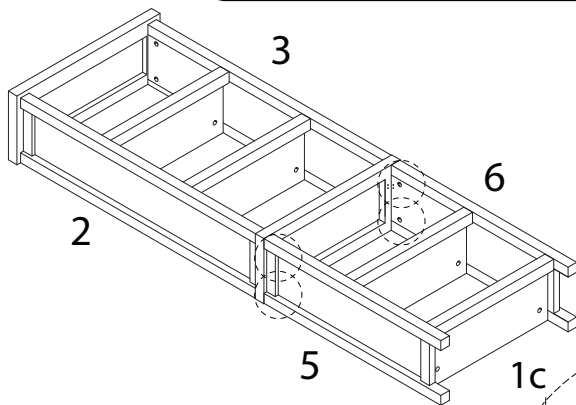


12

A

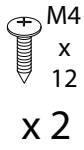


x 4

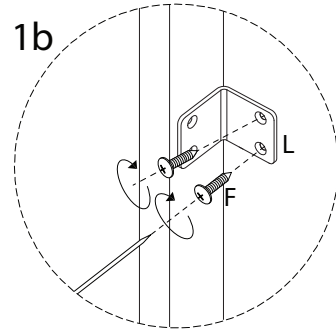
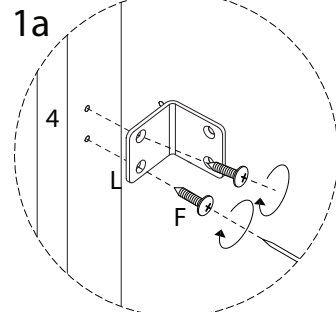
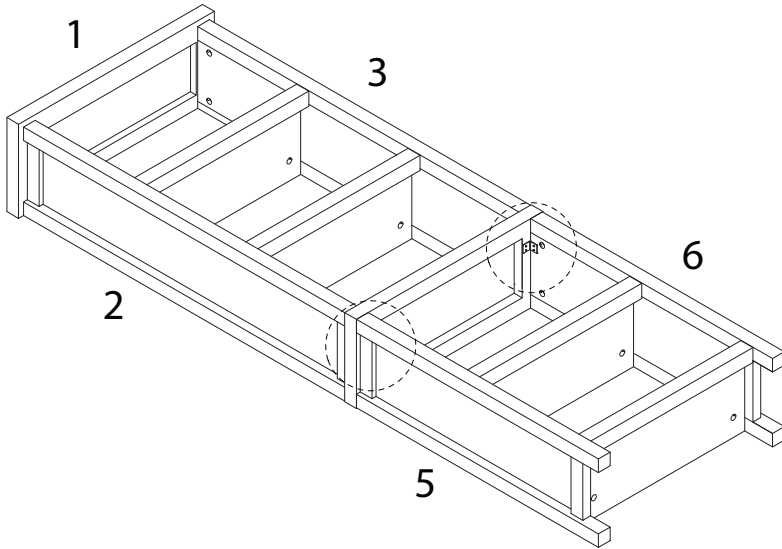
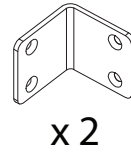


13

F

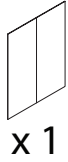


L

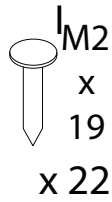


14

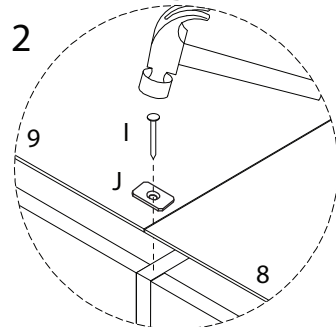
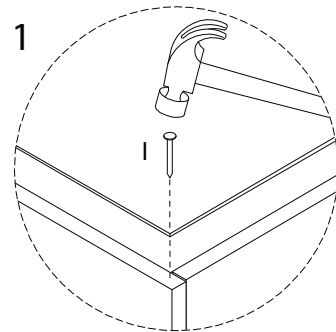
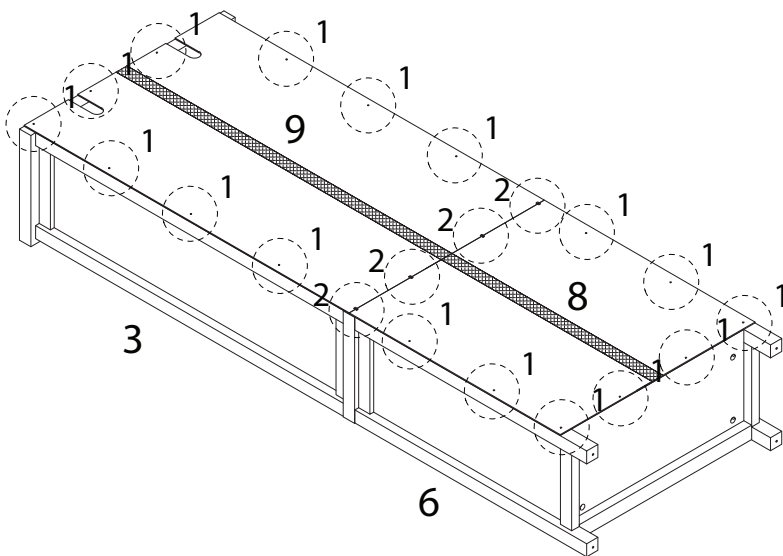
8



9



J

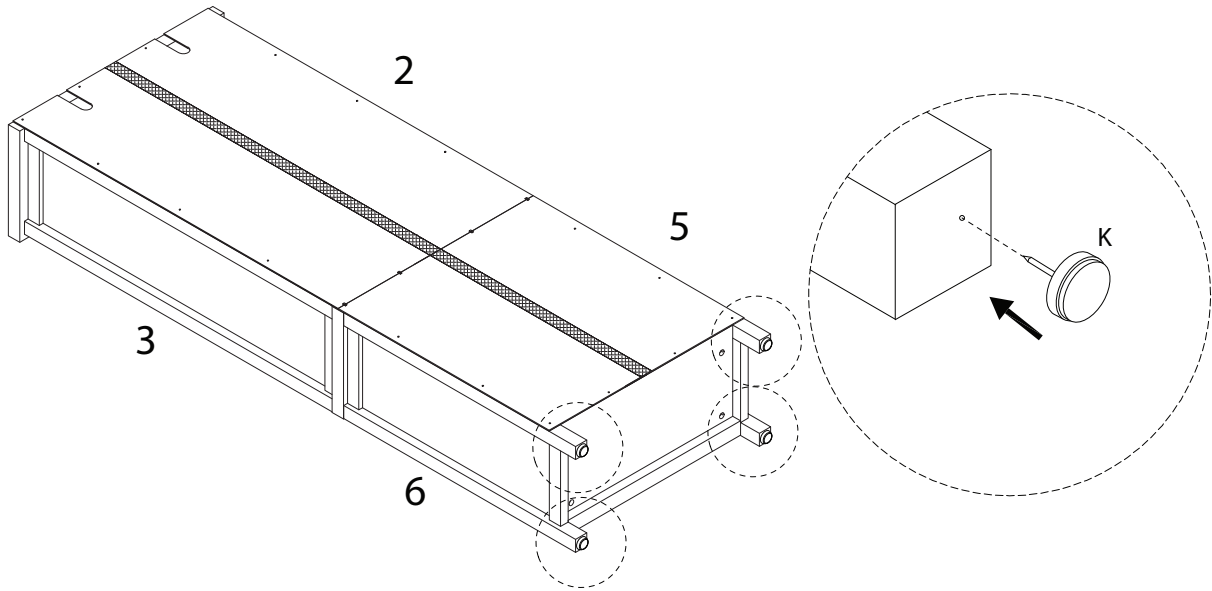


15

K



x 4

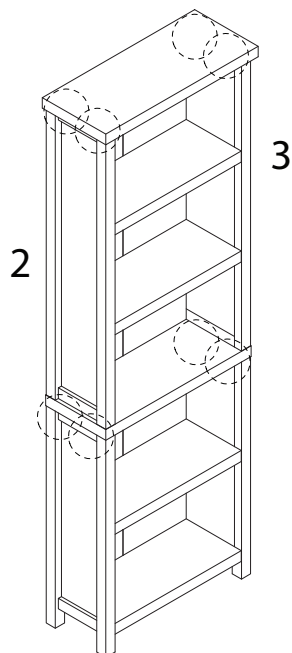


16

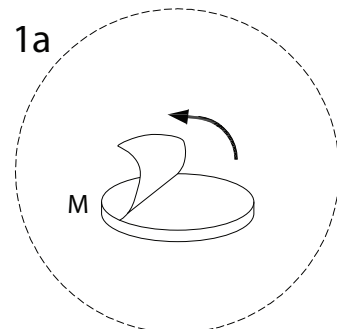
M



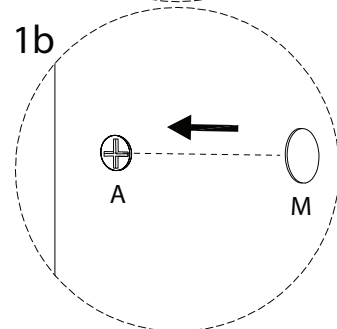
x 8



1a



1b



17

