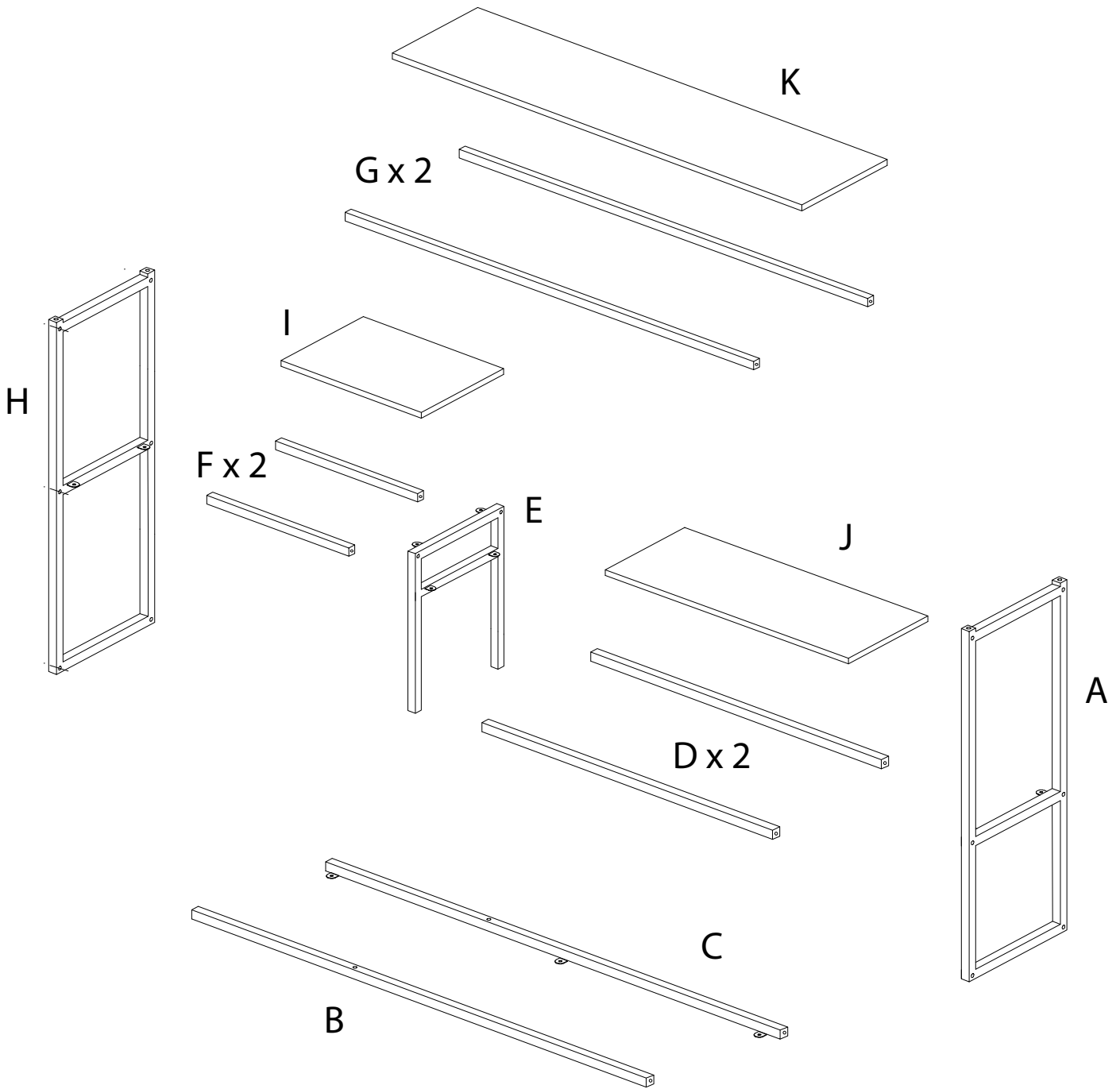
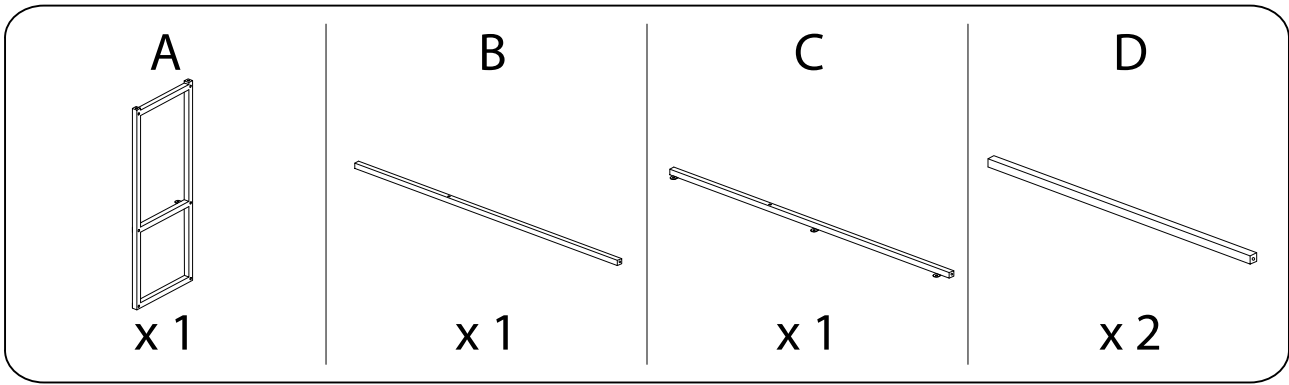
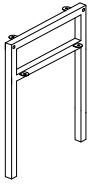


30'

1



E



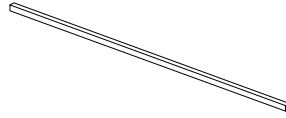
x 1

F



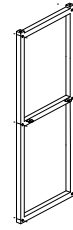
x 2

G



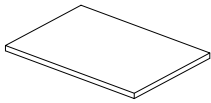
x 2

H



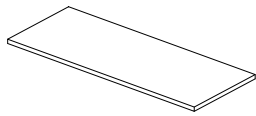
x 1

I



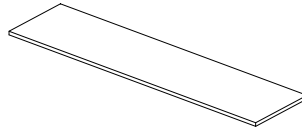
x 1

J



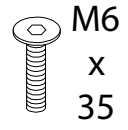
x 1

K



x 1

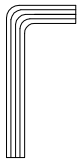
L



M6  
x  
35

x 18

M



x 1

O



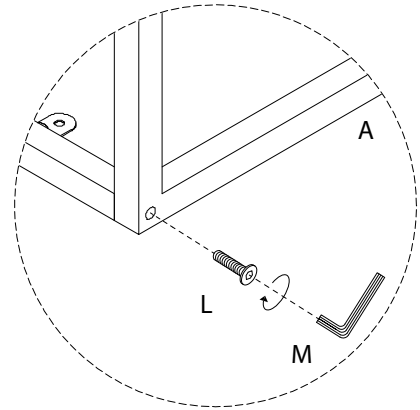
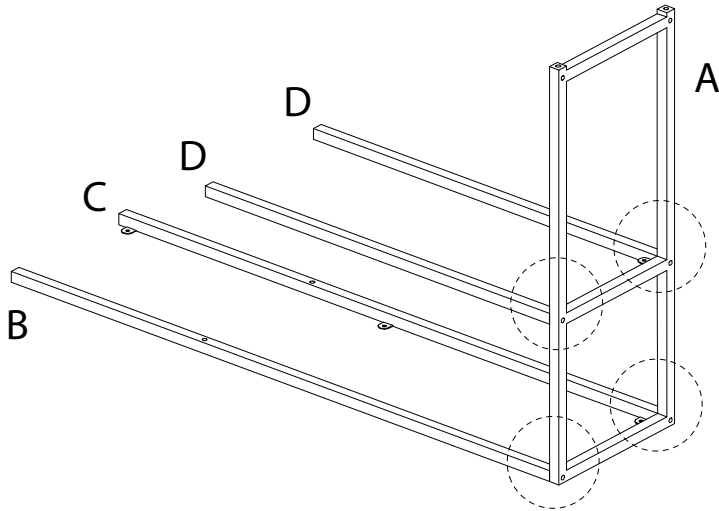
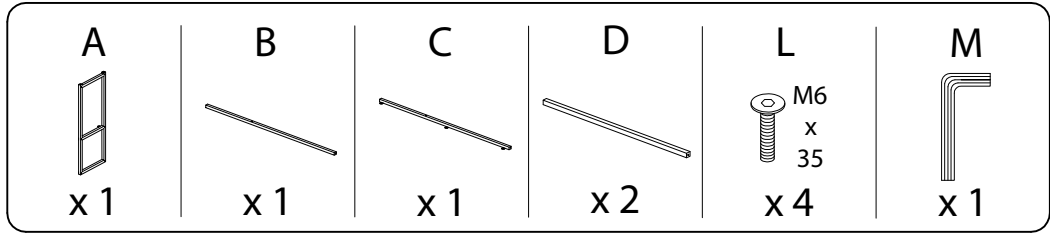
x 14

P

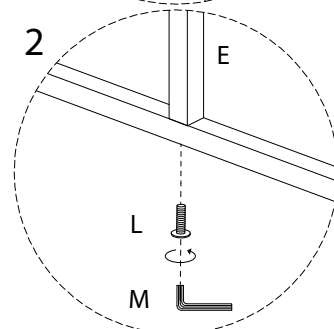
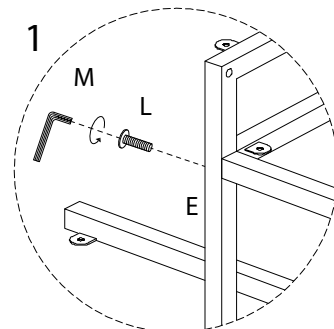
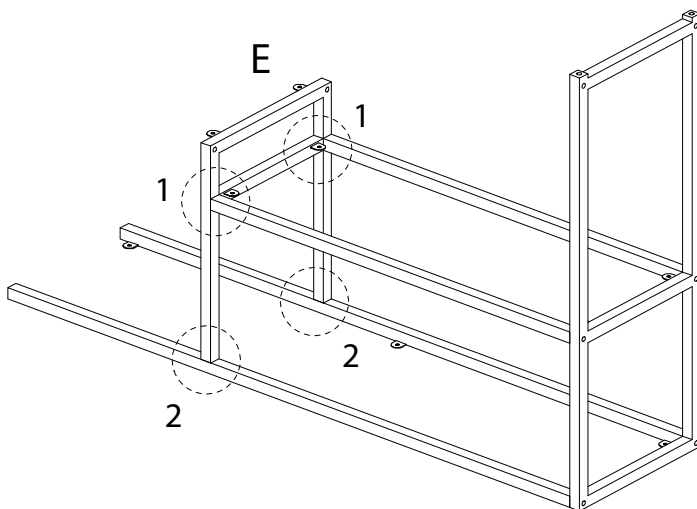
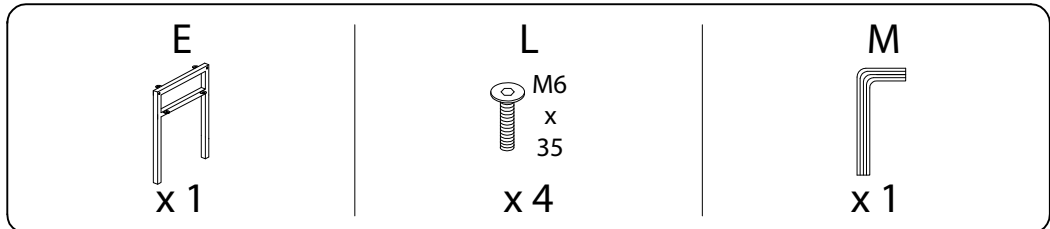


x 4

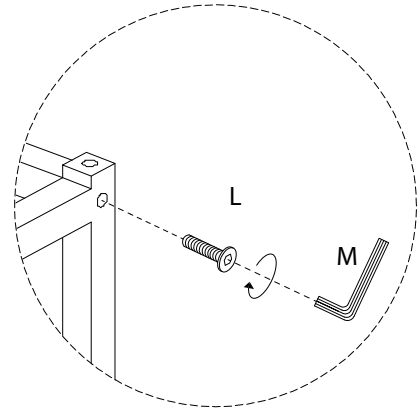
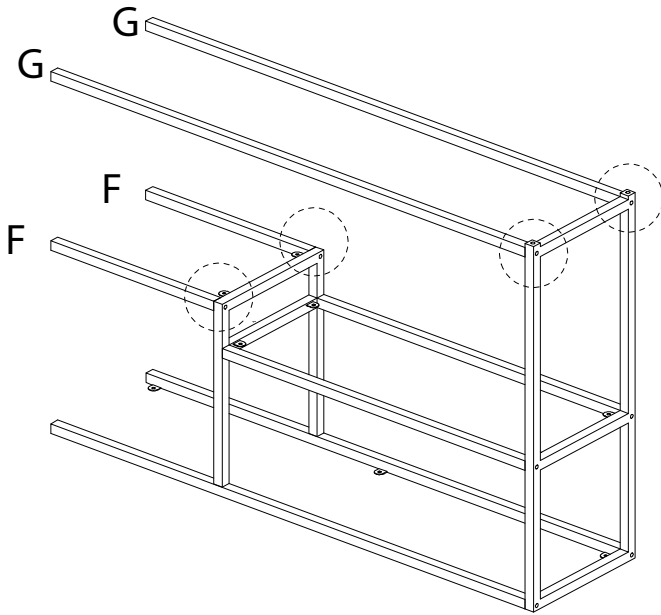
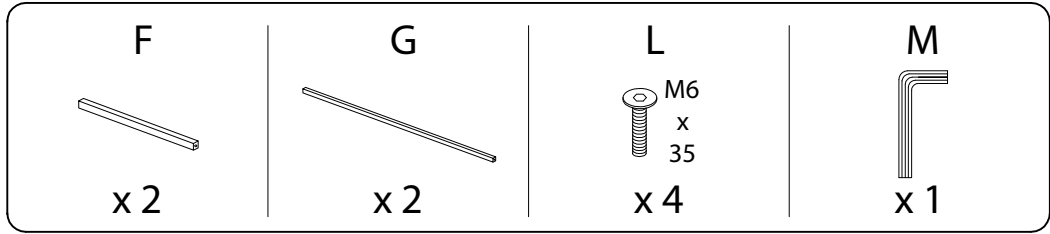
1



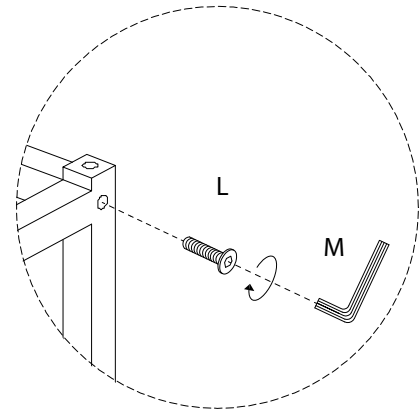
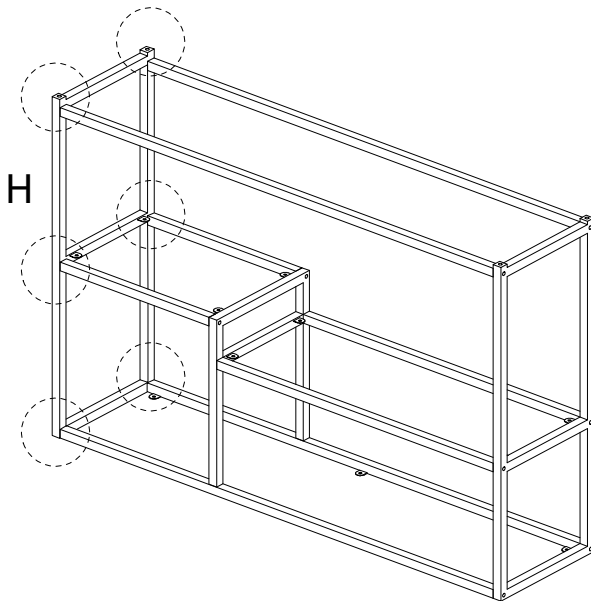
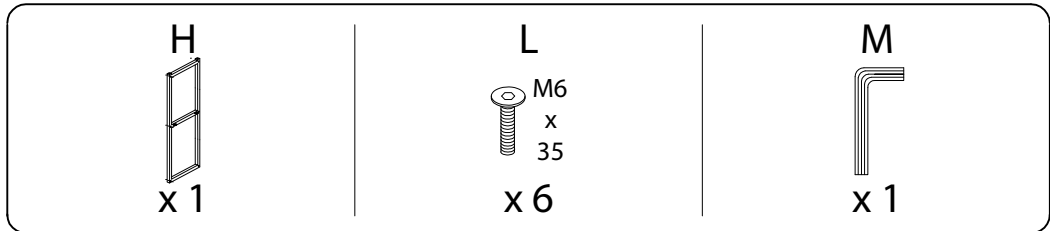
2



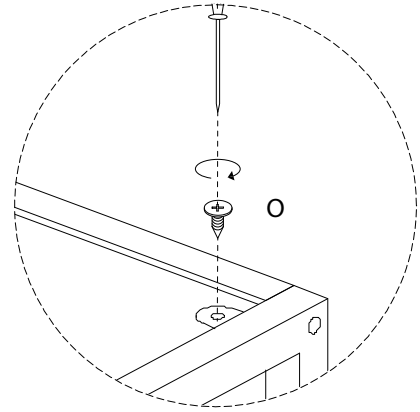
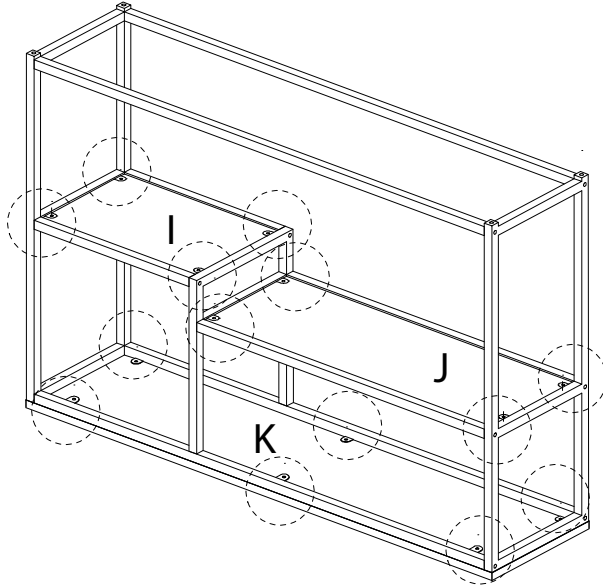
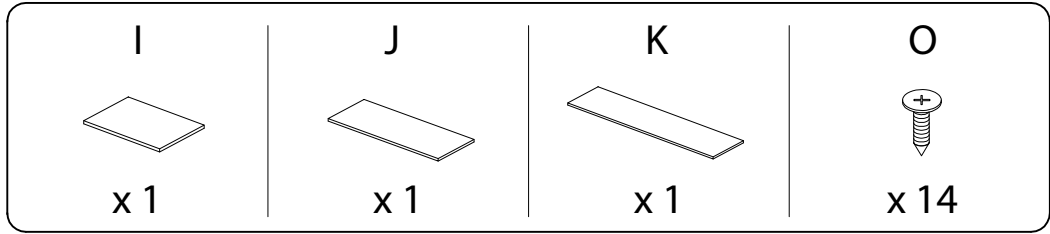
3



4



5



6

