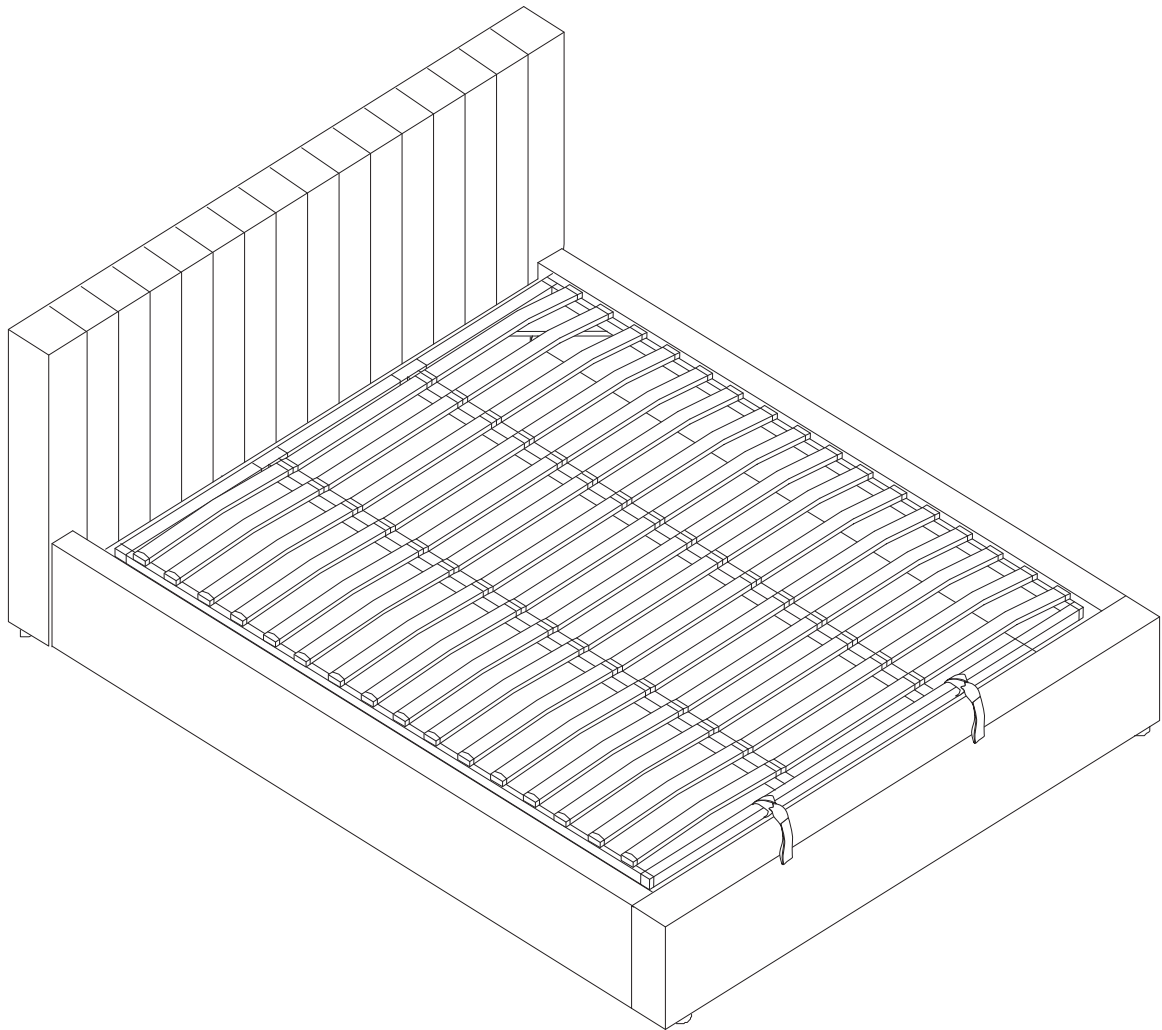
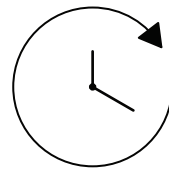
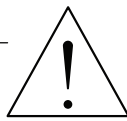
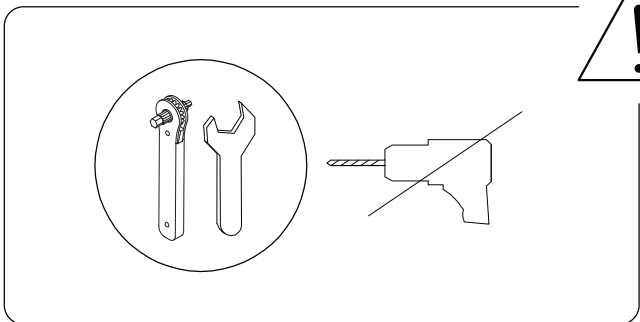
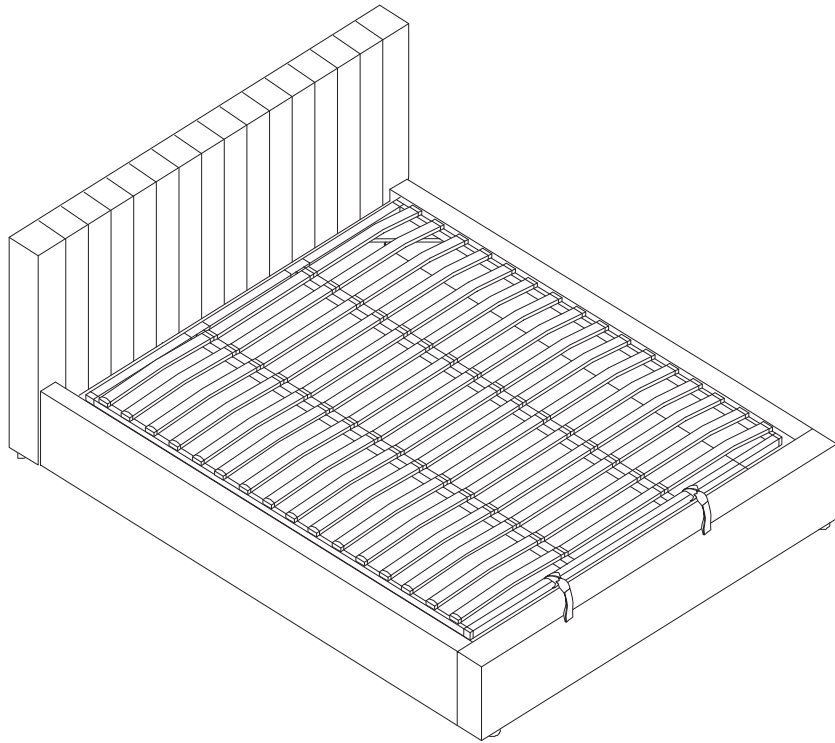
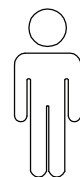
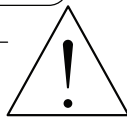
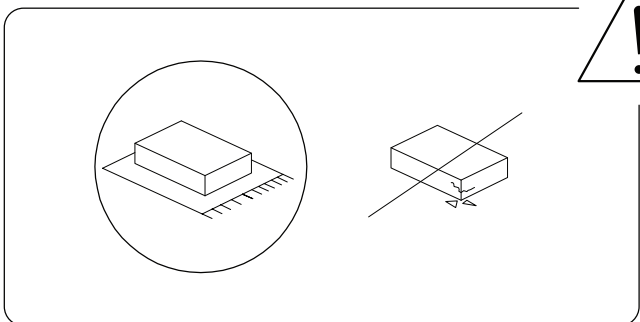


# VION



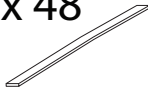


60'

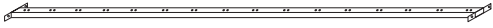


2

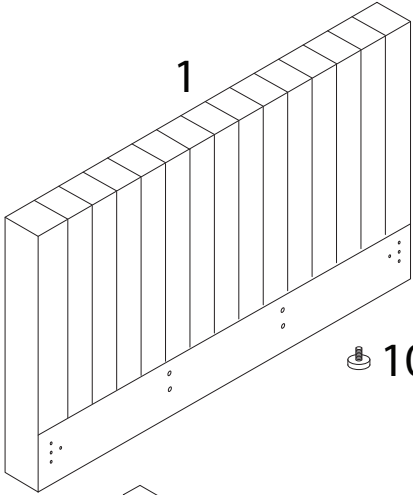
8 x 48



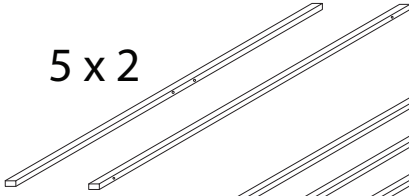
7 x 2



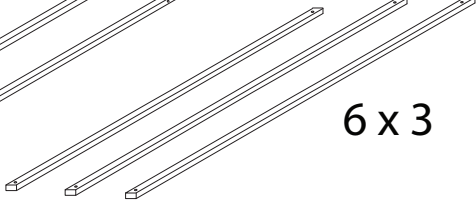
1



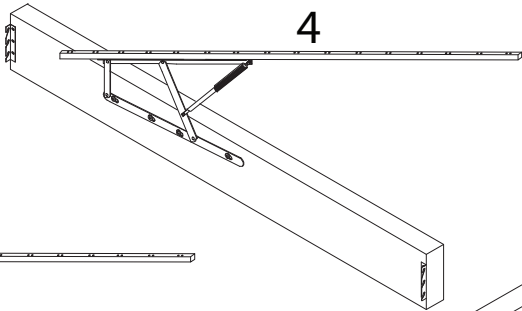
5 x 2



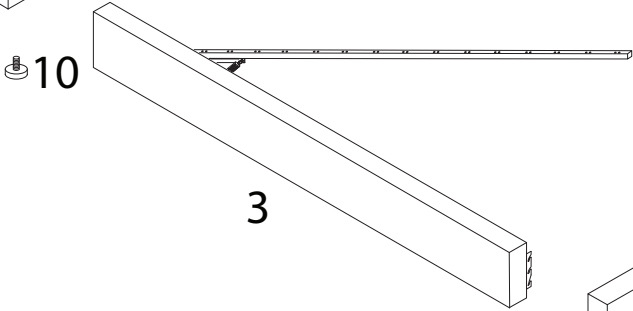
6 x 3



10

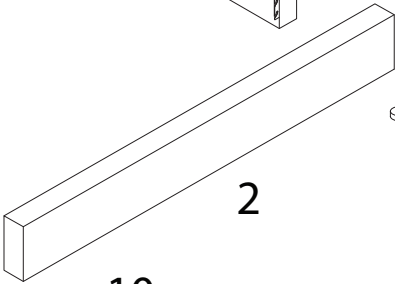


10



3

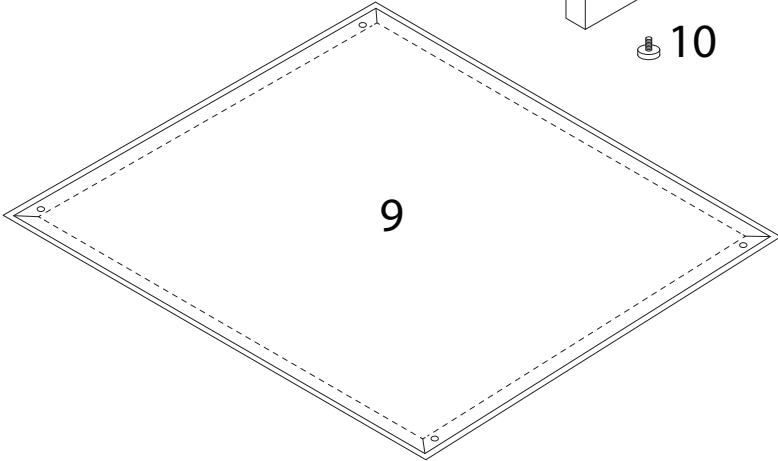
10



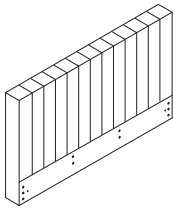
2

10

9

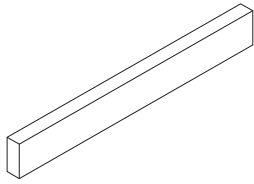


1



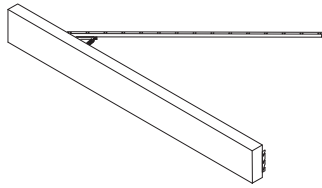
x 1

2



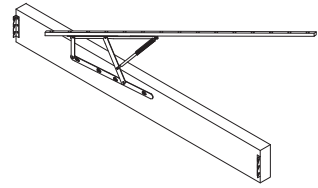
x 1

3



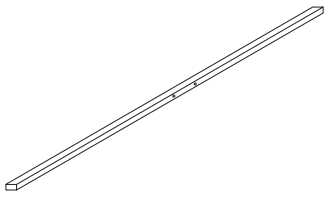
x 1

4



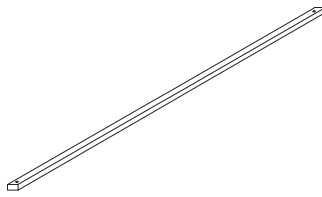
x 1

5



x 2

6



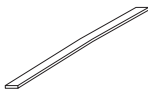
x 3

7



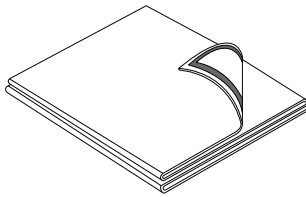
x 2

8



x 48

9



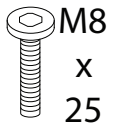
x 1

10



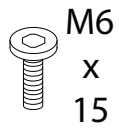
x 4

A



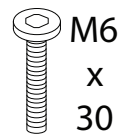
x 12

B



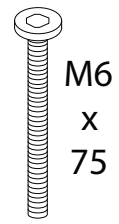
x 16

C



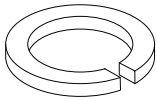
x 6

D



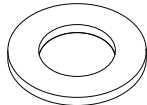
x 8

E



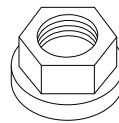
x 12

F



x 12

G



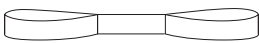
x 2

H



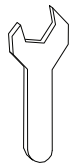
x 1

J



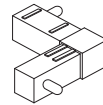
x 2

K



x 1

L



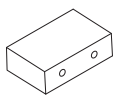
x 4

M



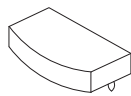
x 4

N



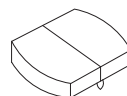
x 4

P



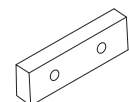
x 32

Q



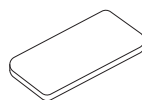
x 32

R



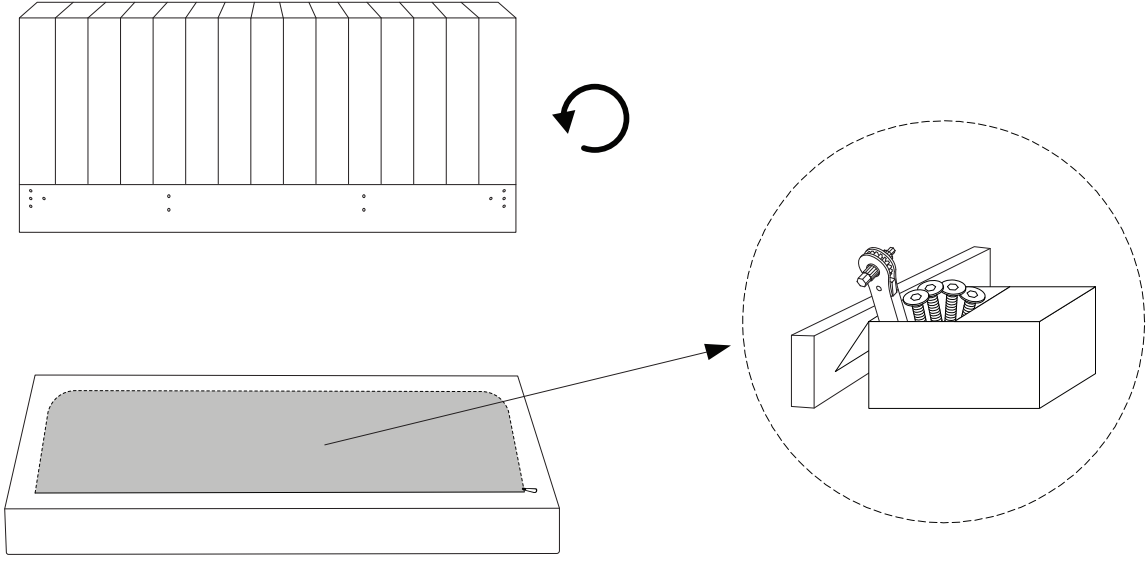
x 2

S

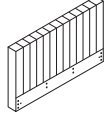
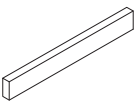

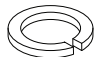




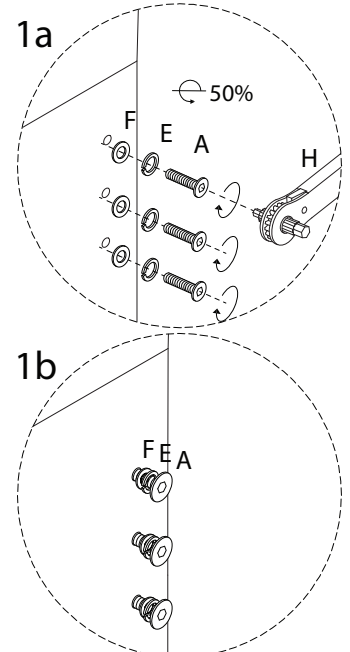
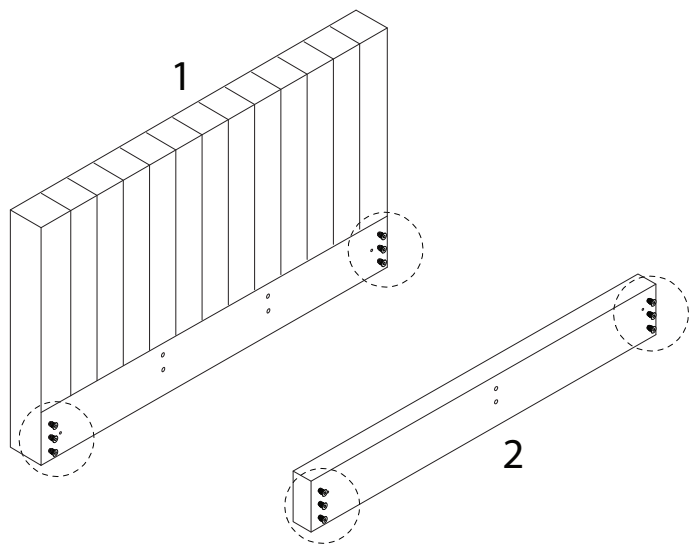
x 6

!

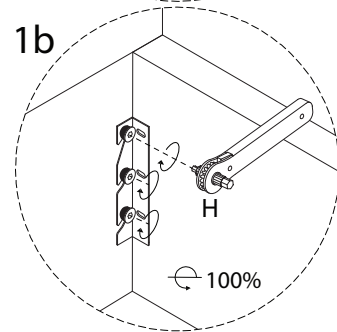
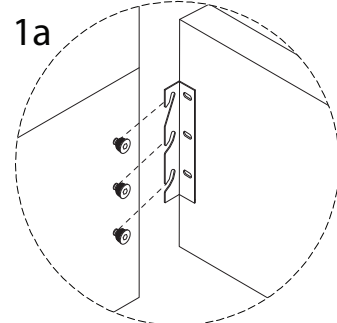
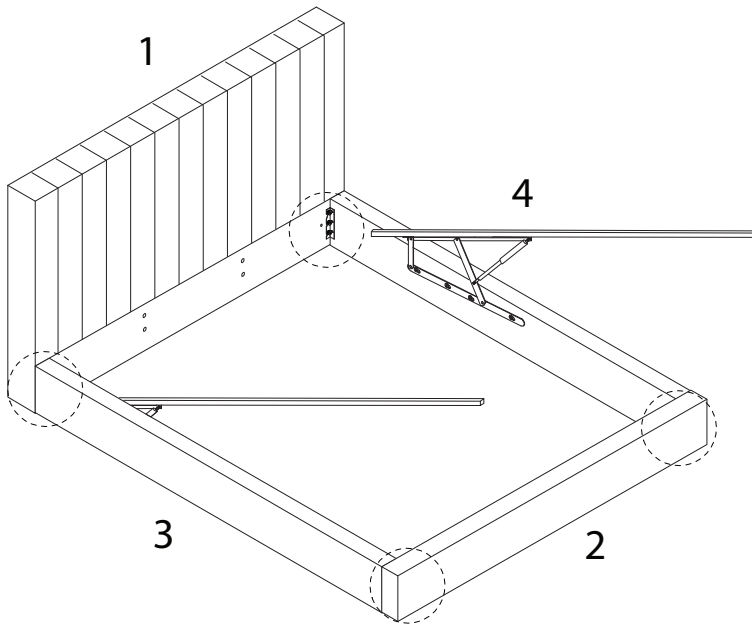
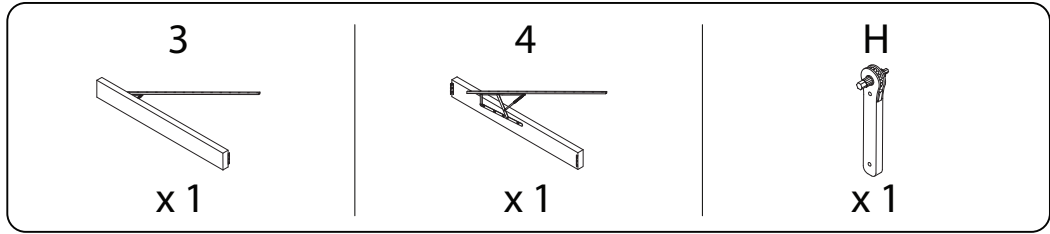


1

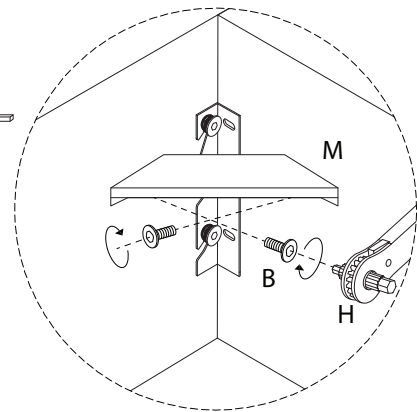
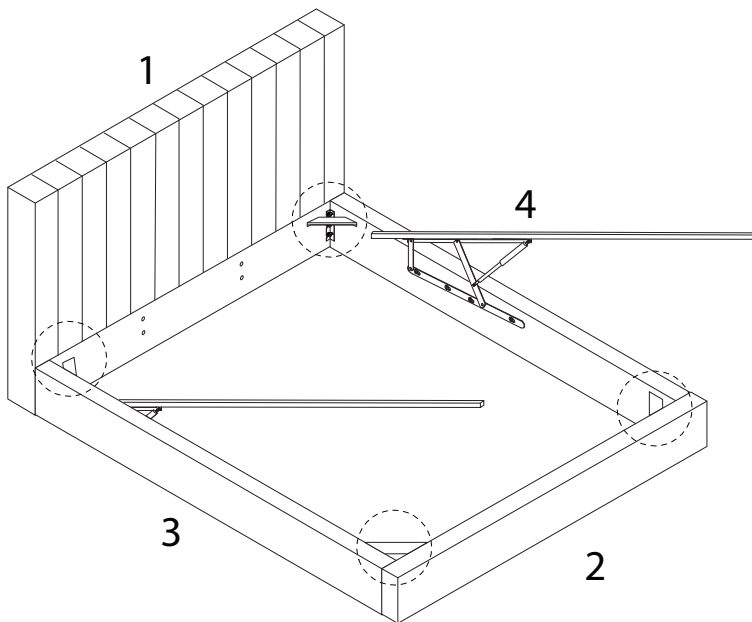
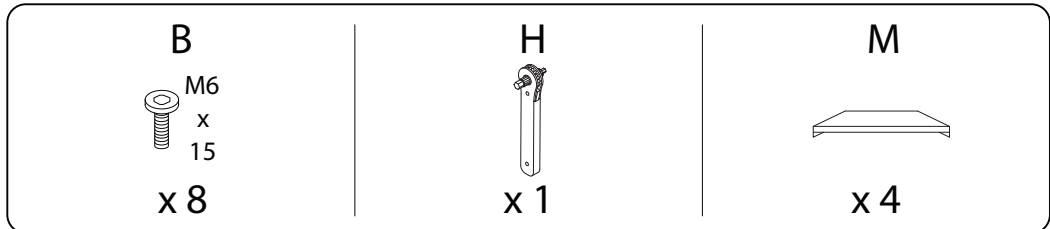
- |  |  |   |  |   |  |
|--|--|---|--|---|--|
| <b>1</b><br><br>x 1 | <b>2</b><br><br>x 1 | <b>A</b><br><br>M8<br>x 25<br>x 12 | <b>E</b><br><br>x 12 | <b>F</b><br><br>x 12 | <b>H</b><br><br>x 1 |
|--|--|---|--|---|--|





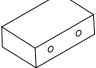
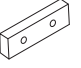
2

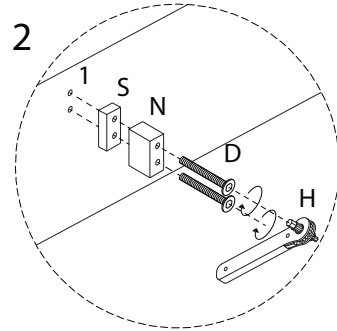
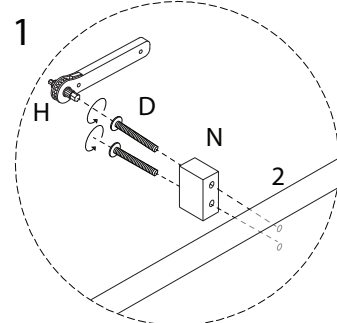
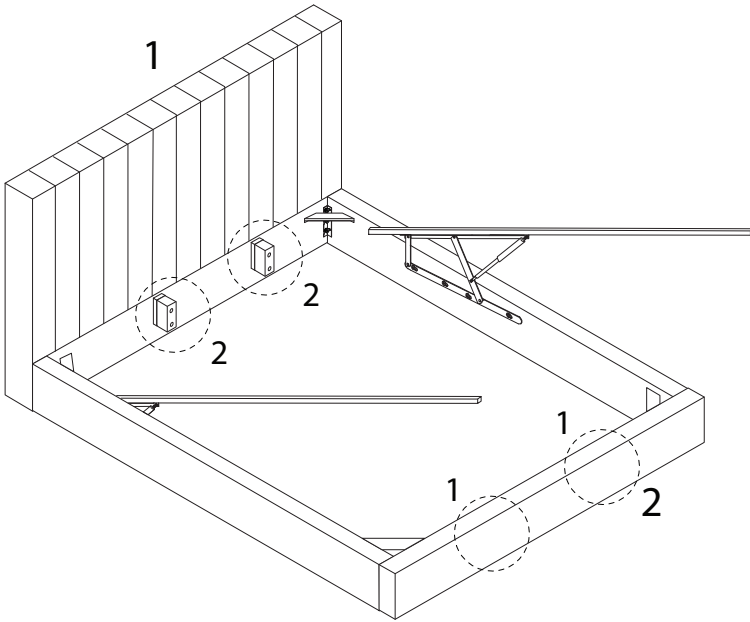


3

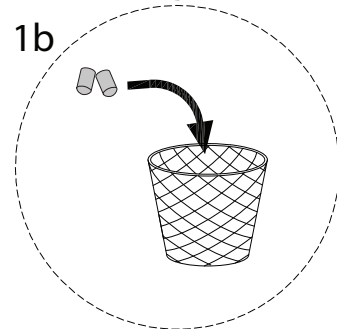
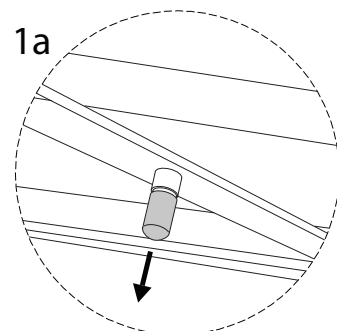
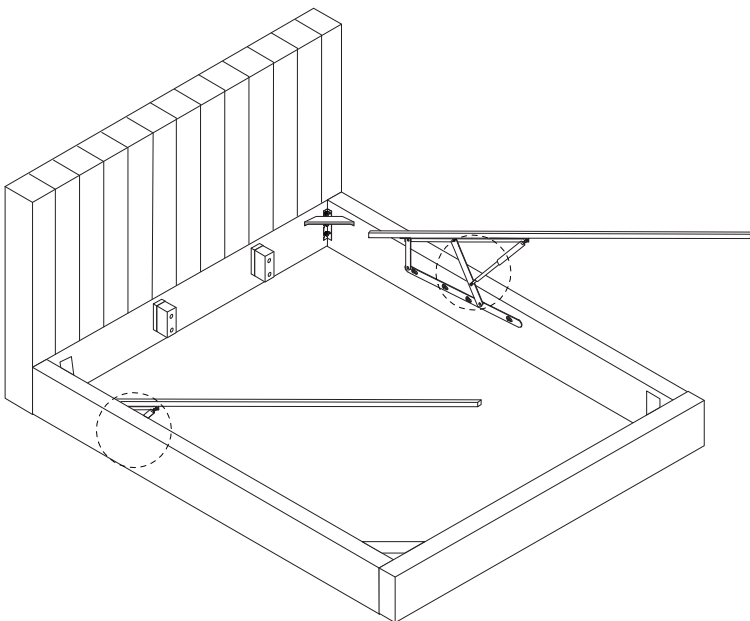


4

<b>D</b>  M6 x 75 x 8	<b>H</b>  x 1	<b>N</b>  x 4	<b>S</b>  x 2
--	--	---	--



!





5

G

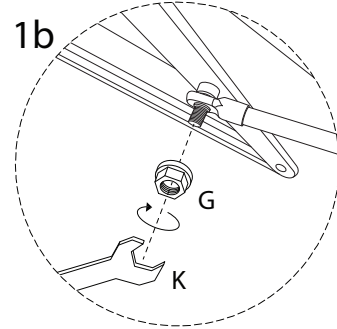
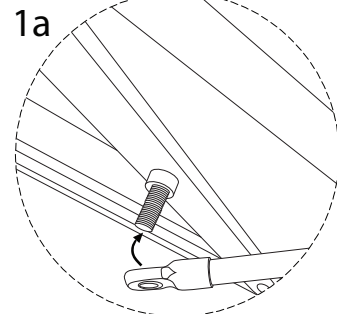
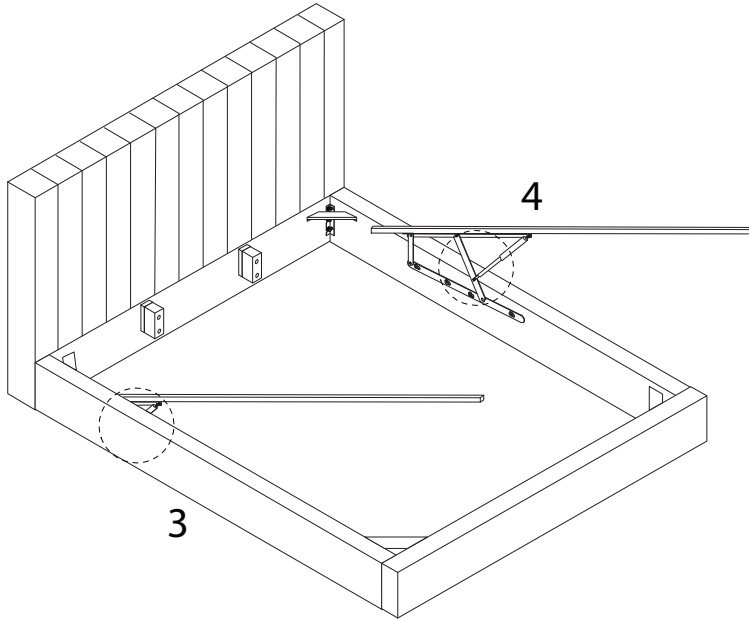


x 2

K

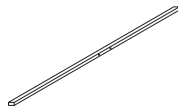


x 1



6 x 2

5

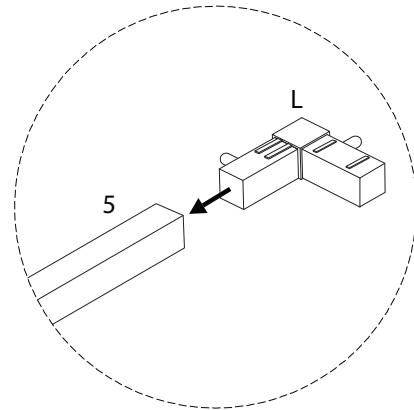
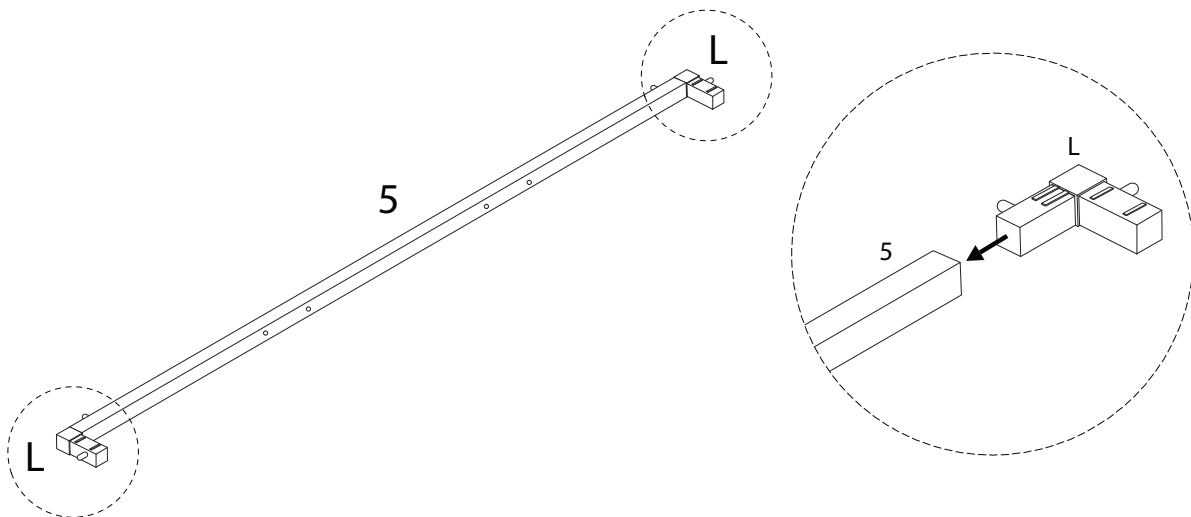


x 1

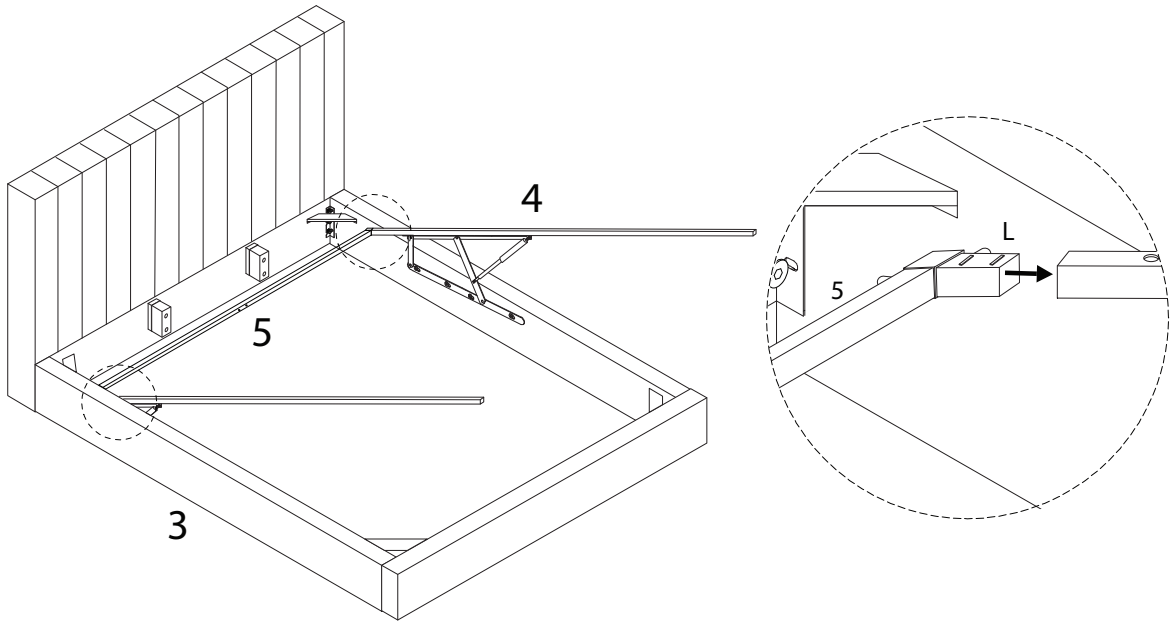
L



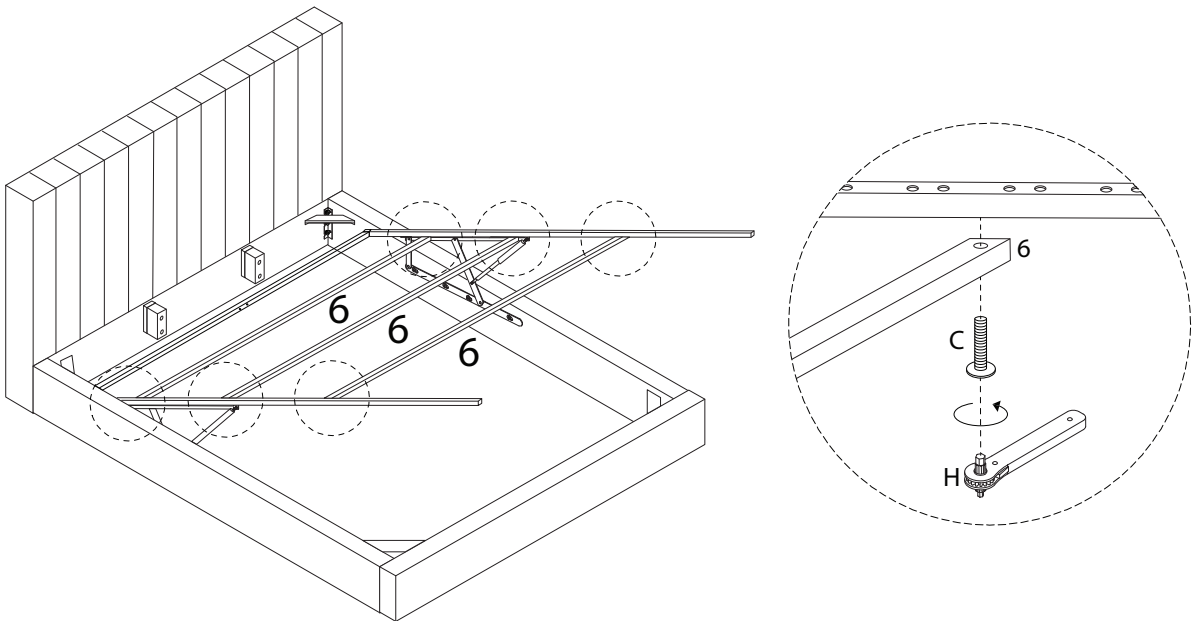
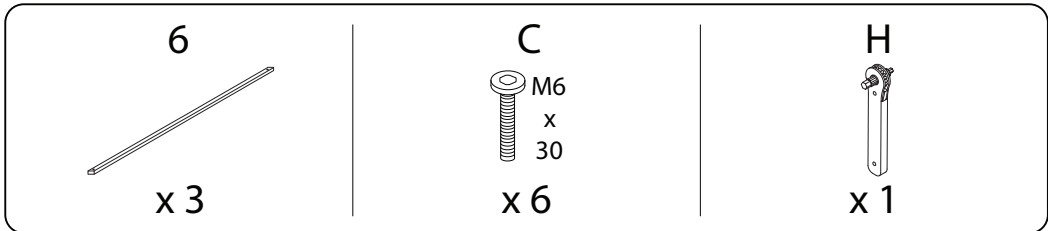
x 2



7



8

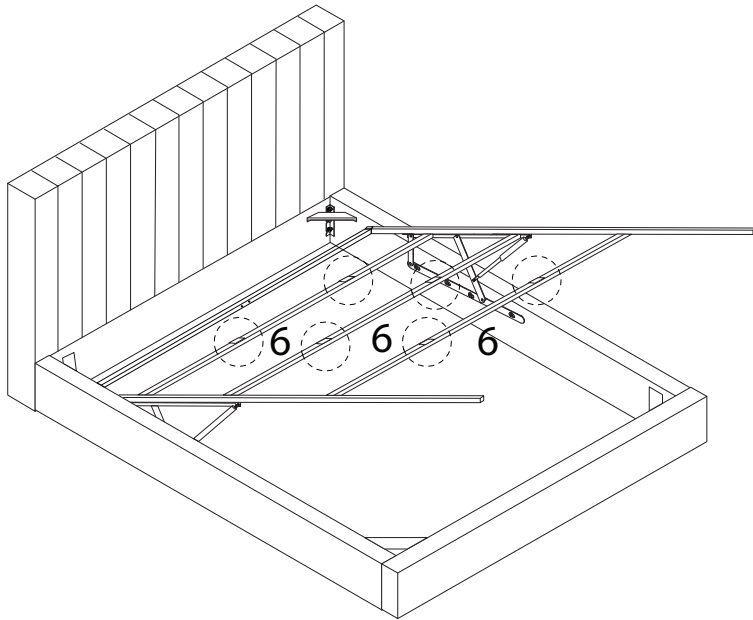


9

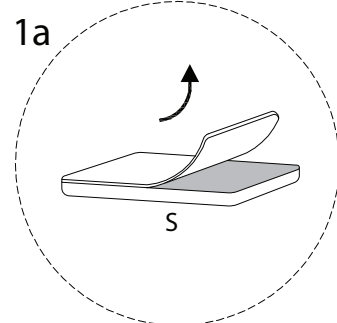
S



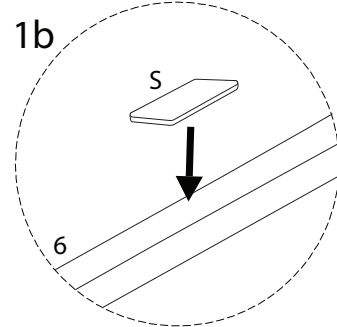
x 6



1a



1b



10

7



x 2

8

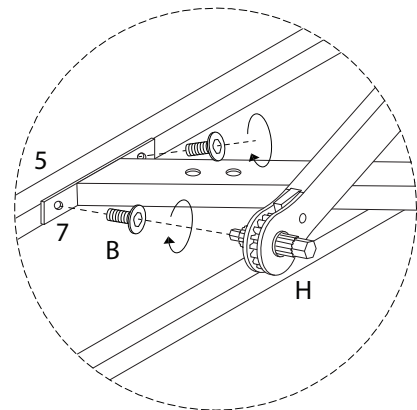
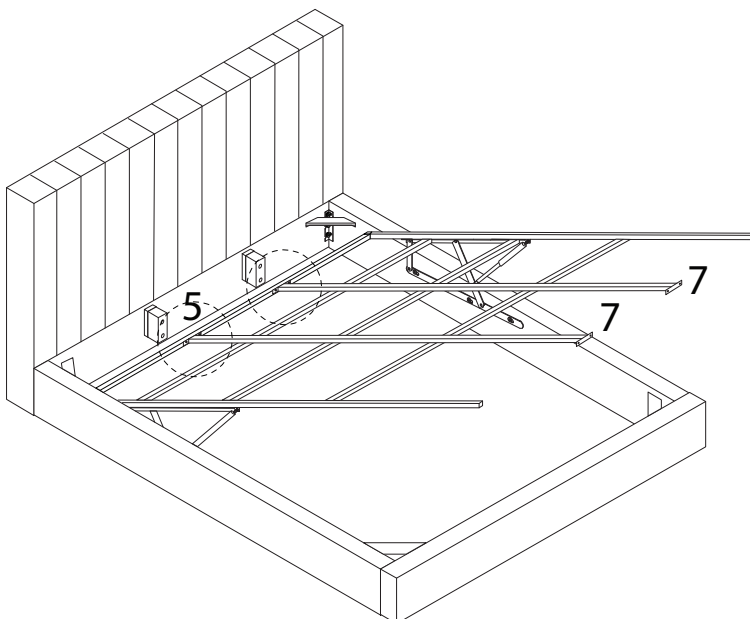


x 4

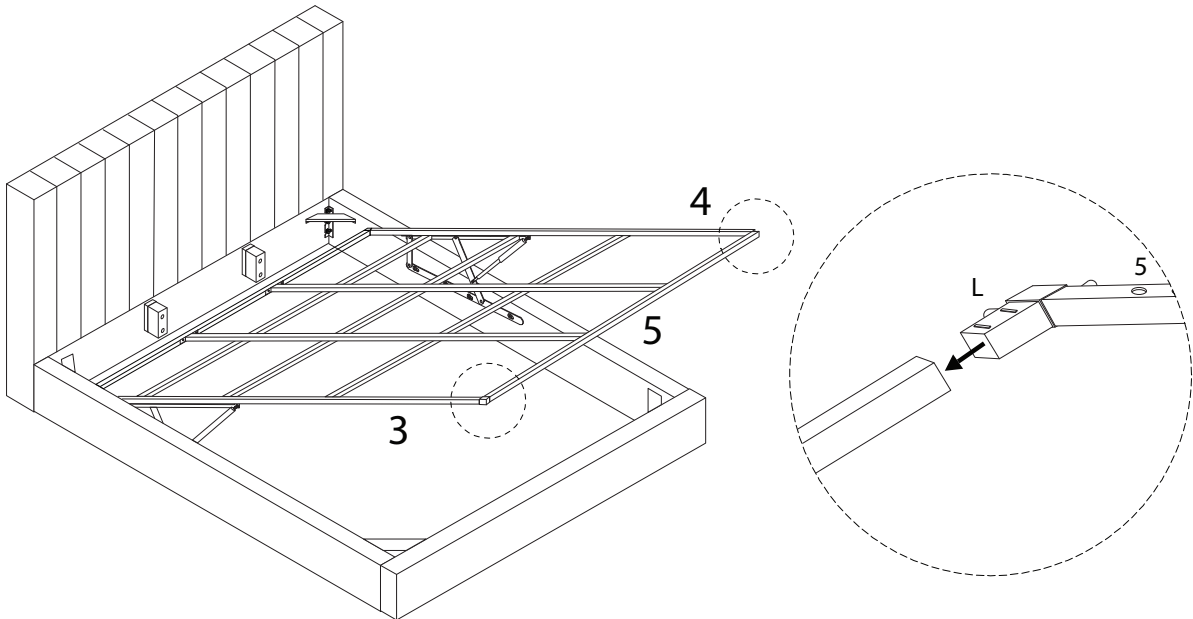
H



x 1



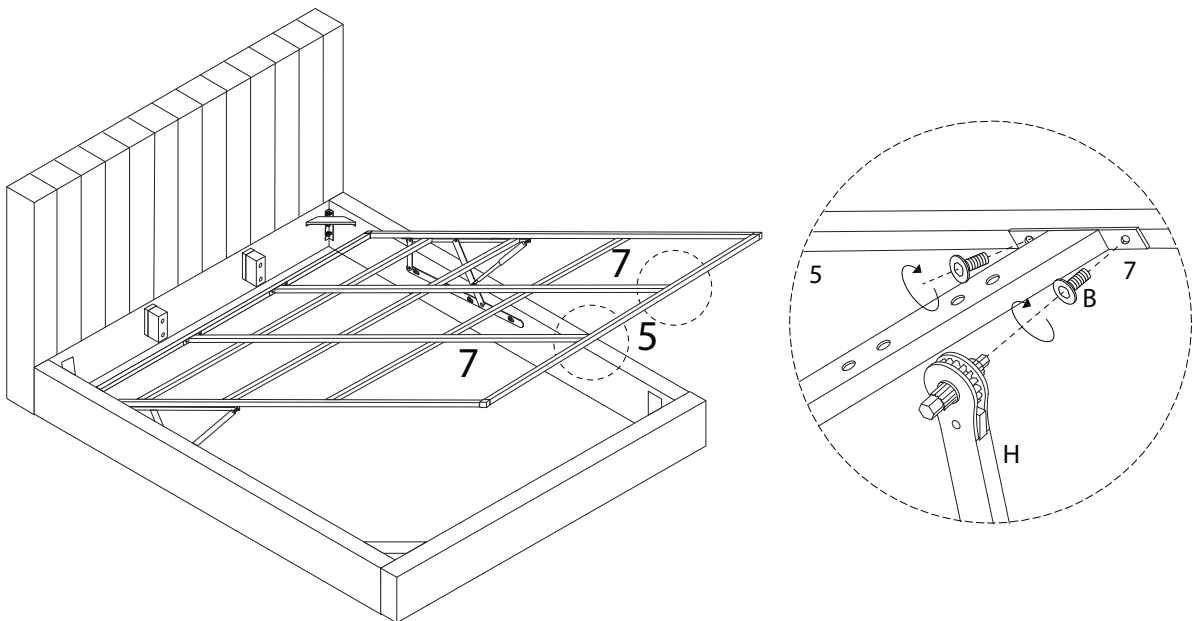
11



12

**B**  
M6  
x  
15  
x 4

**H**  
x 1

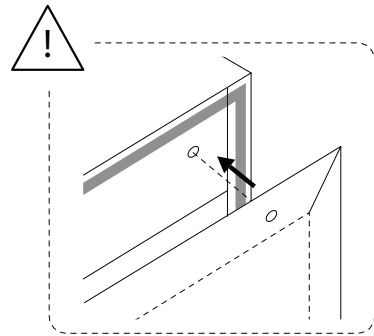
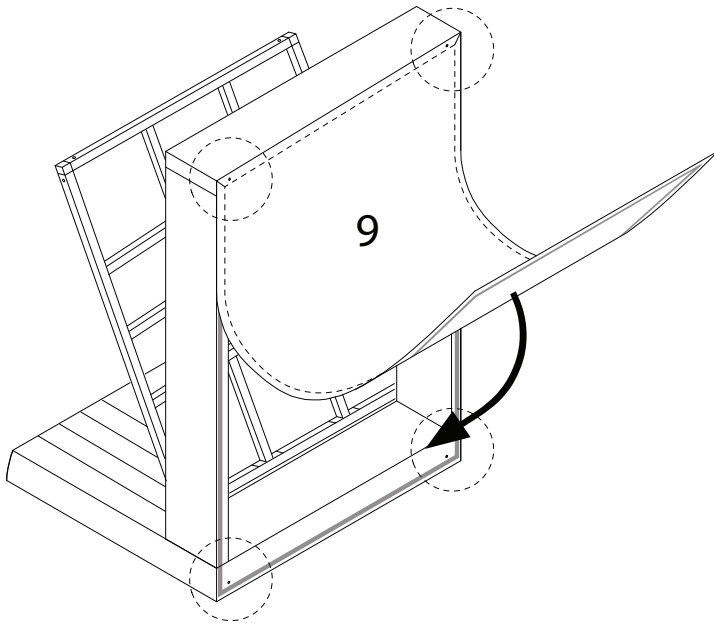


13

9



x 1

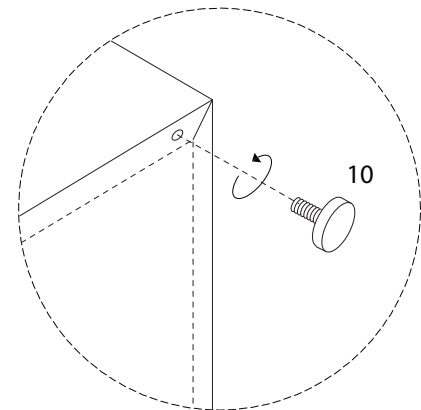
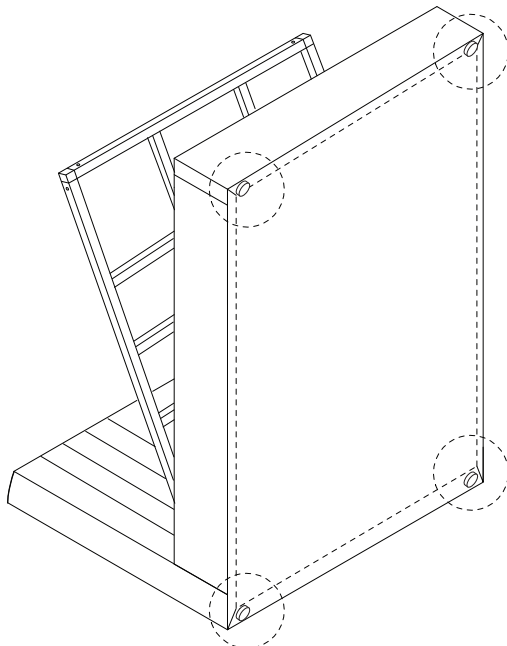


14

10

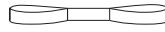


x 4

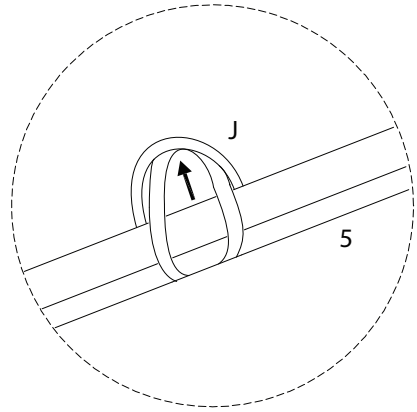
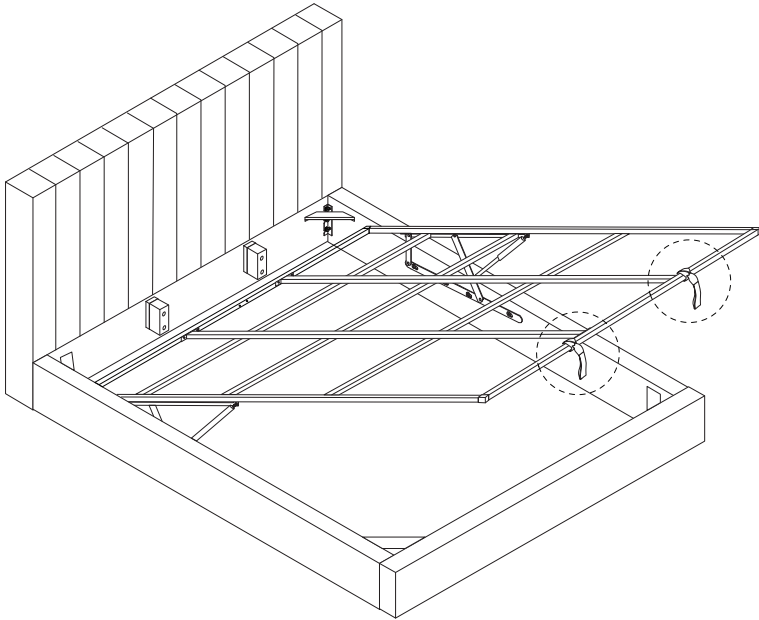


15

J

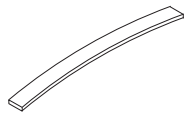


x2



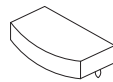
16 x 16

8



x3

P

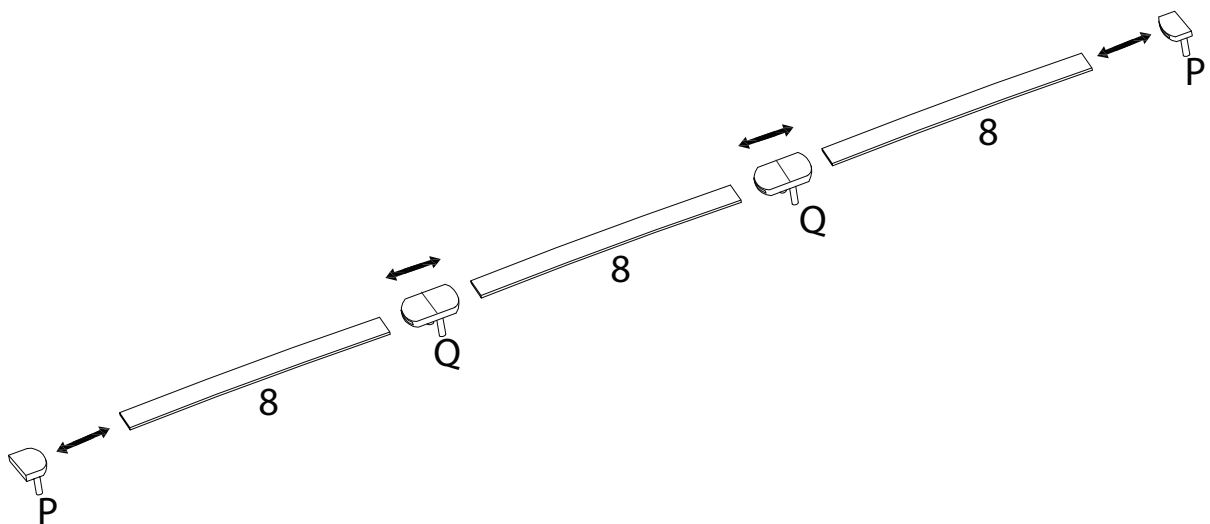


x2

Q



x2



17

