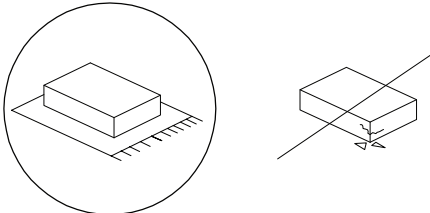

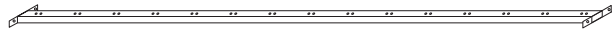
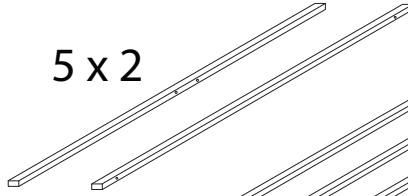
	<p>60'</p>
		
		<p>2</p>

8 x 45

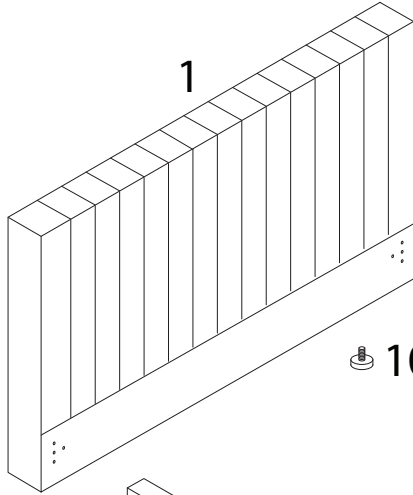
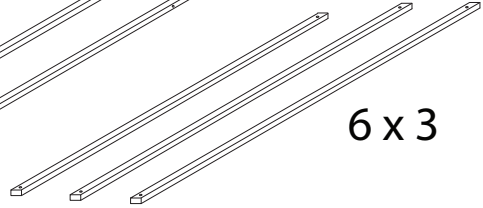
7 x 2



5 x 2

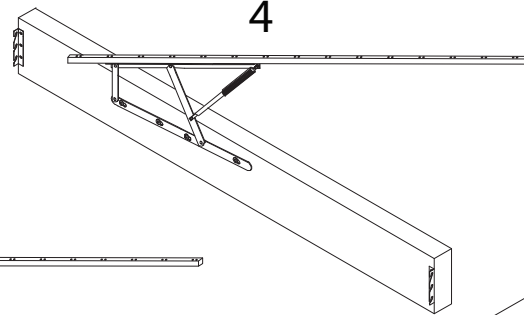


6 x 3



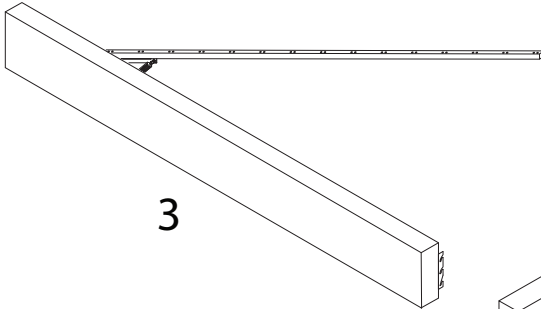
1

10



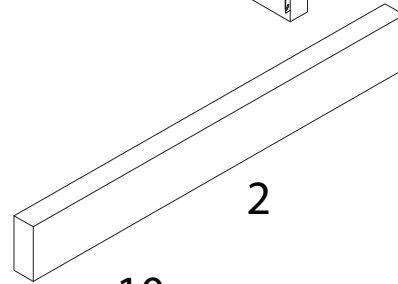
4

10



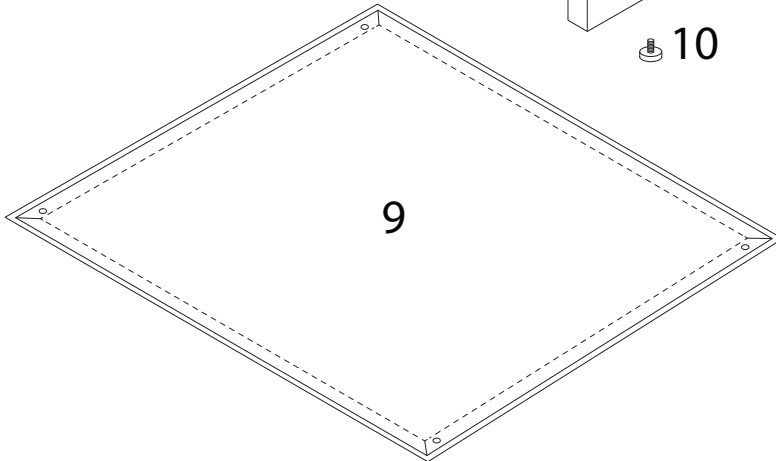
3

10



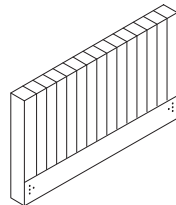
2

10



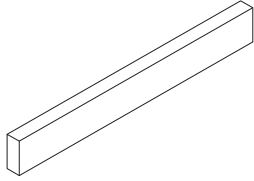
9

1



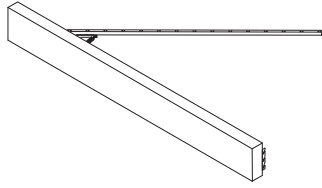
x 1

2



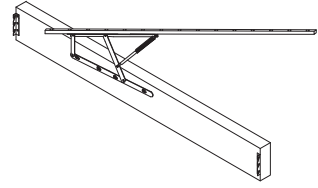
x 1

3



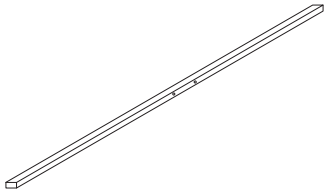
x 1

4



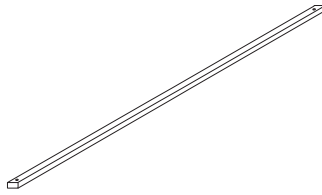
x 1

5



x 2

6



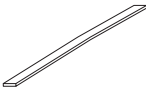
x 3

7



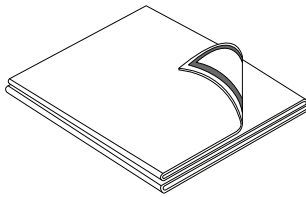
x 2

8



x 45

9



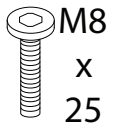
x 1

10



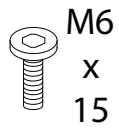
x 4

A



x 12

B



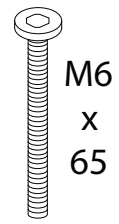
x 16

C



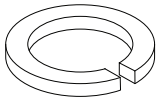
x 6

D



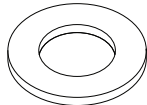
x 6

E



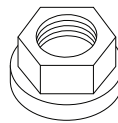
x 12

F



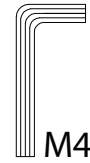
x 12

G



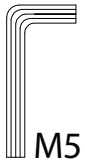
x 2

H



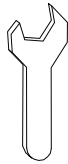
x 1

J



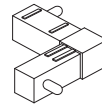
x 1

K



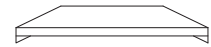
x 1

L



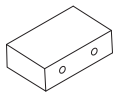
x 4

M



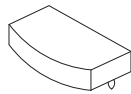
x 4

N



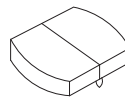
x 3

P



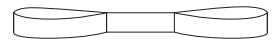
x 30

Q



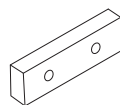
x 30

R



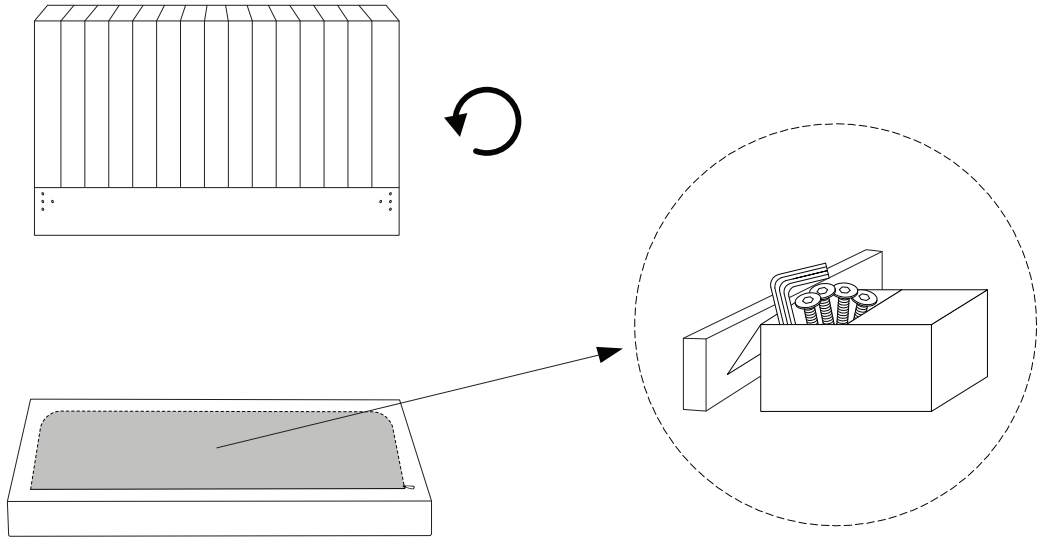
x 2

S

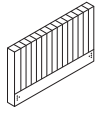
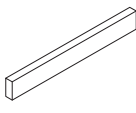

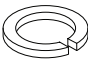




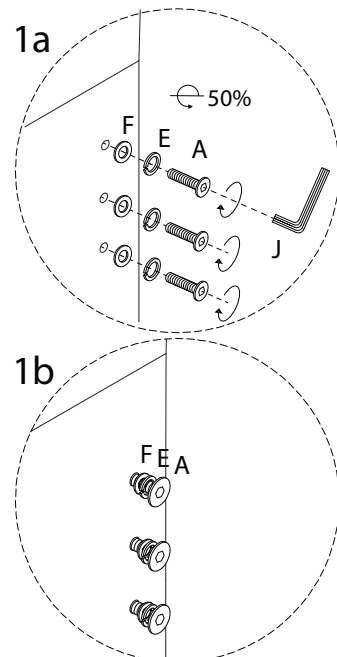
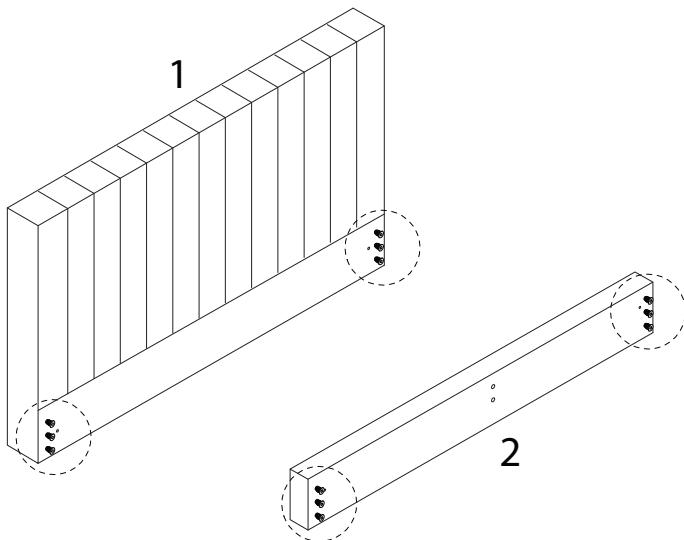
x 2

!

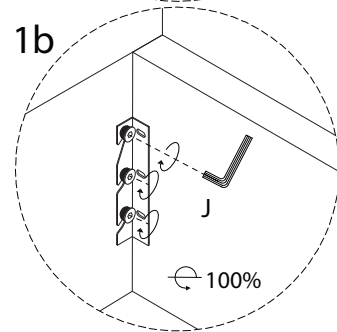
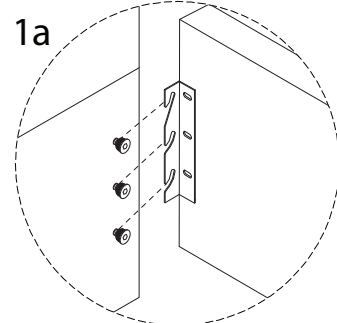
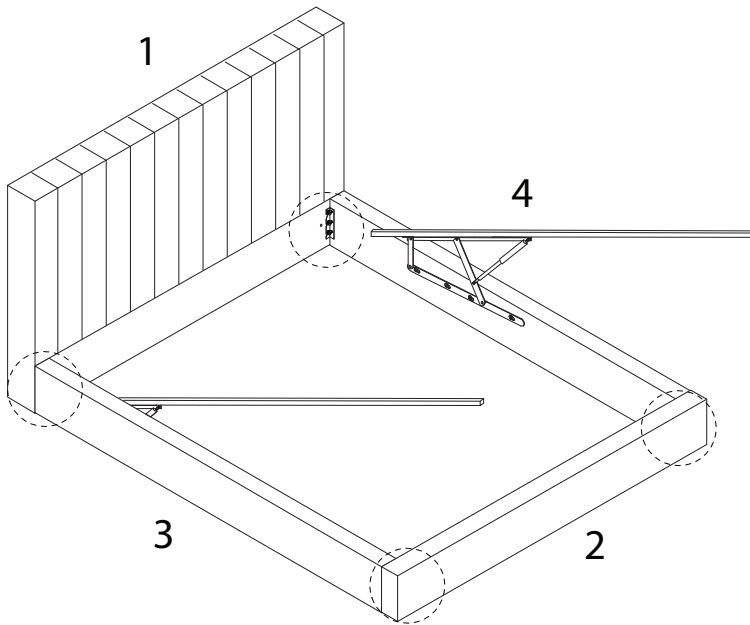
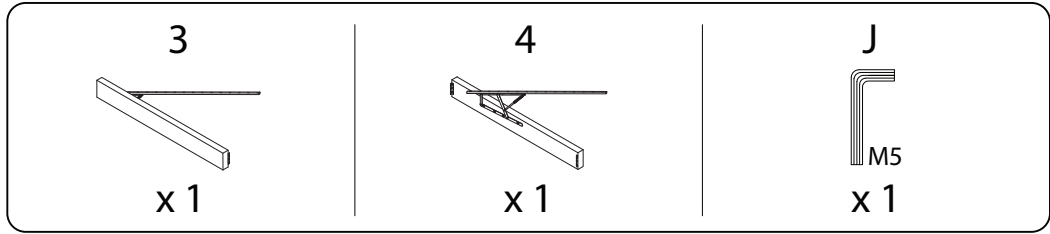


1

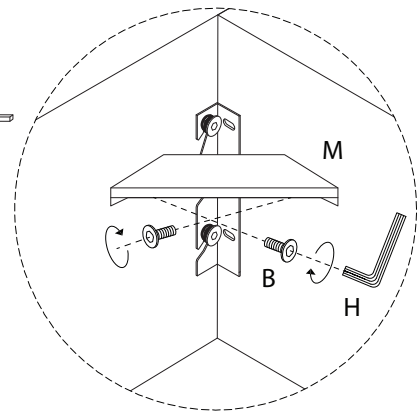
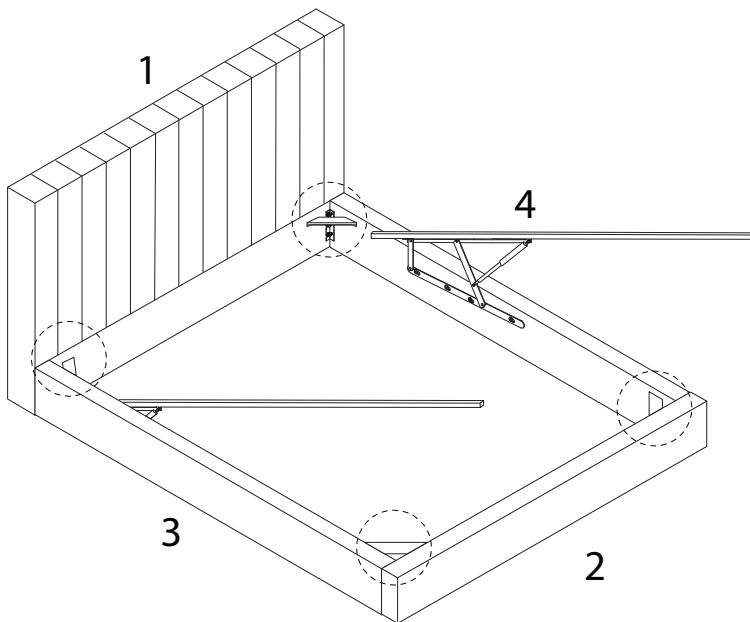
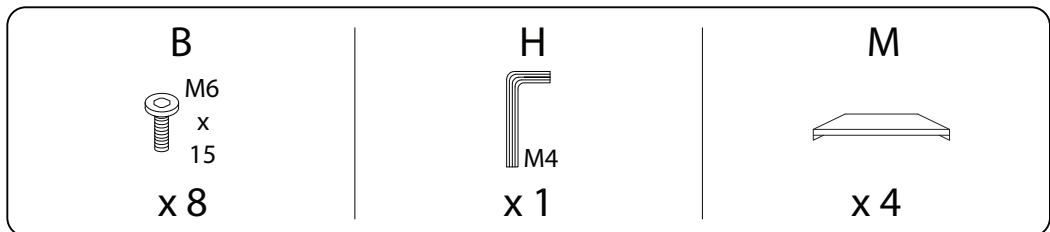
<b>1</b>  x 1	<b>2</b>  x 1	<b>A</b>  M8 x 25 x 12	<b>E</b>  x 12	<b>F</b>  x 12	<b>J</b>  M5 x 1
--	--	--	--	---	--





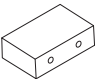
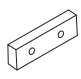
2

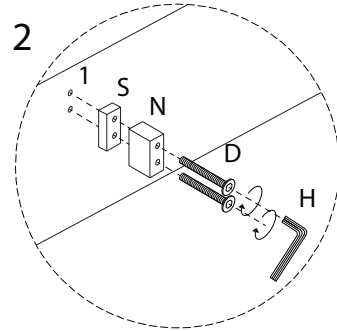
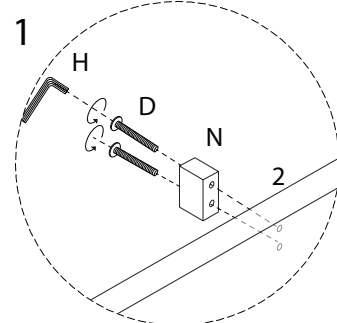
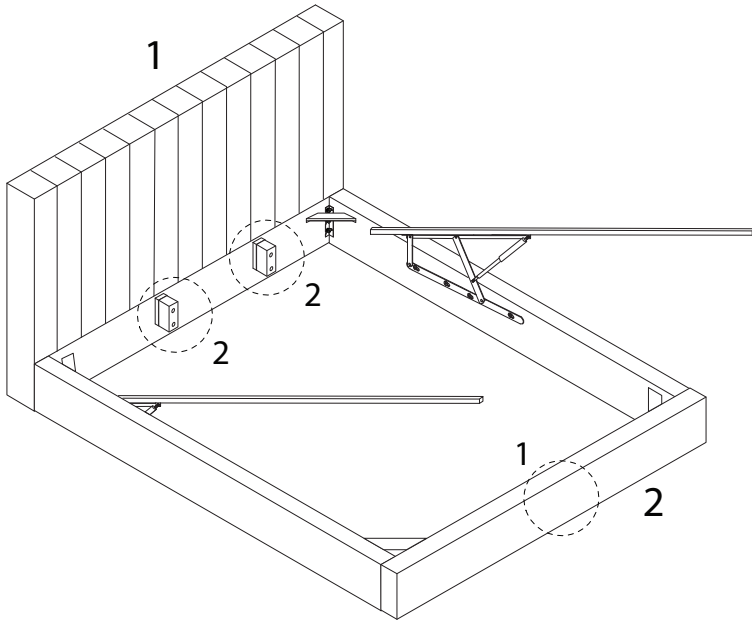


3

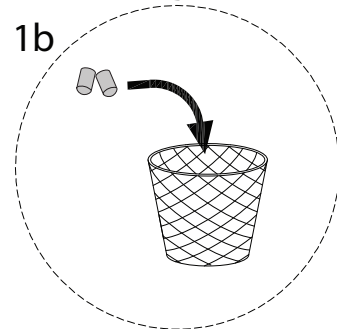
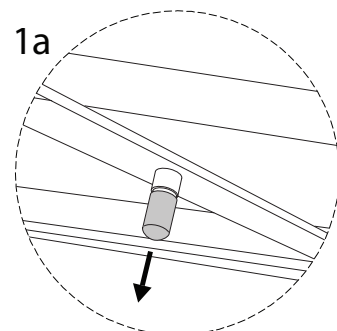
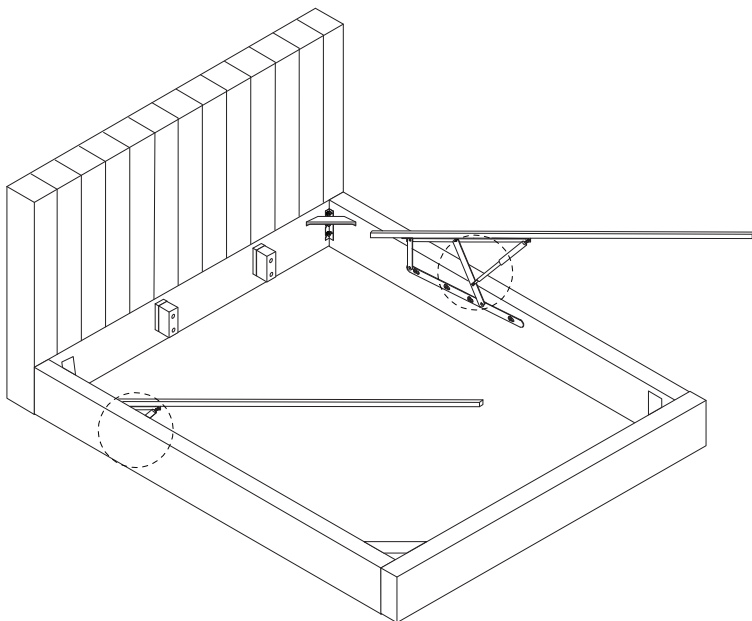


4

<b>D</b>  M6 x 65 x 6	<b>H</b>  M4 x 1	<b>N</b>  x 3	<b>S</b>  x 2
--	--	---	--



!



5

G

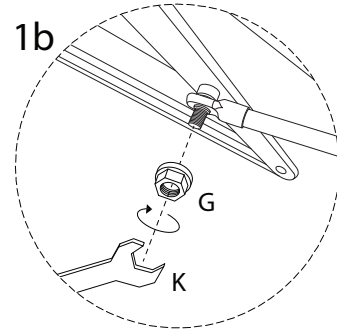
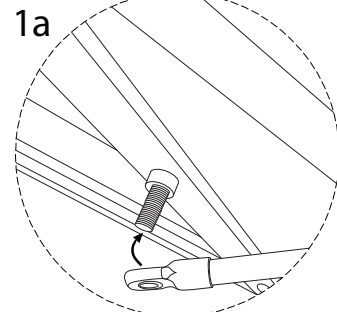
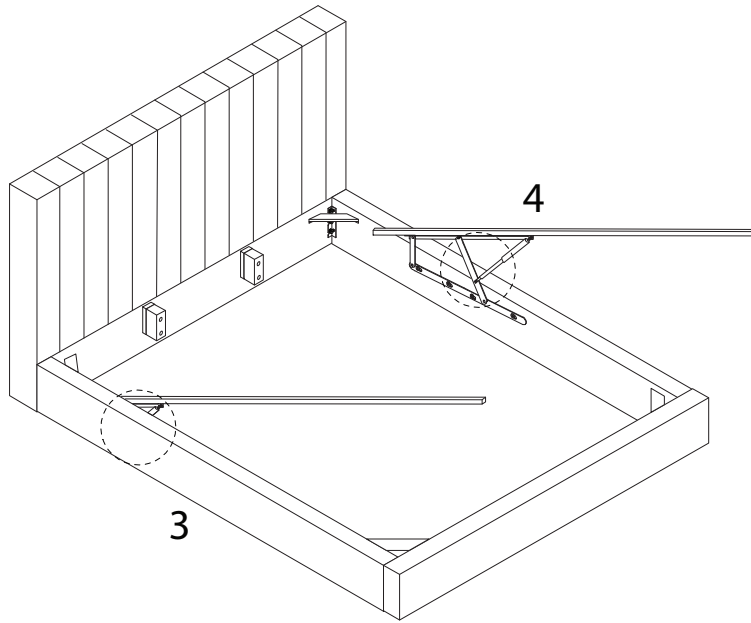


x 2

K

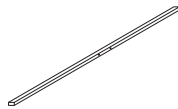


x 1



6 x 2

5

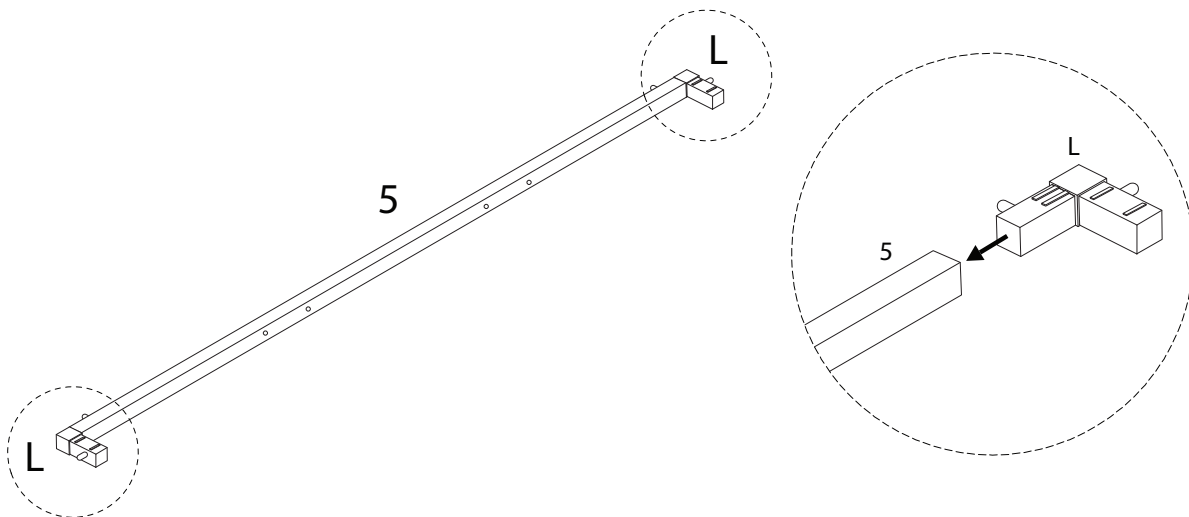


x 1

L

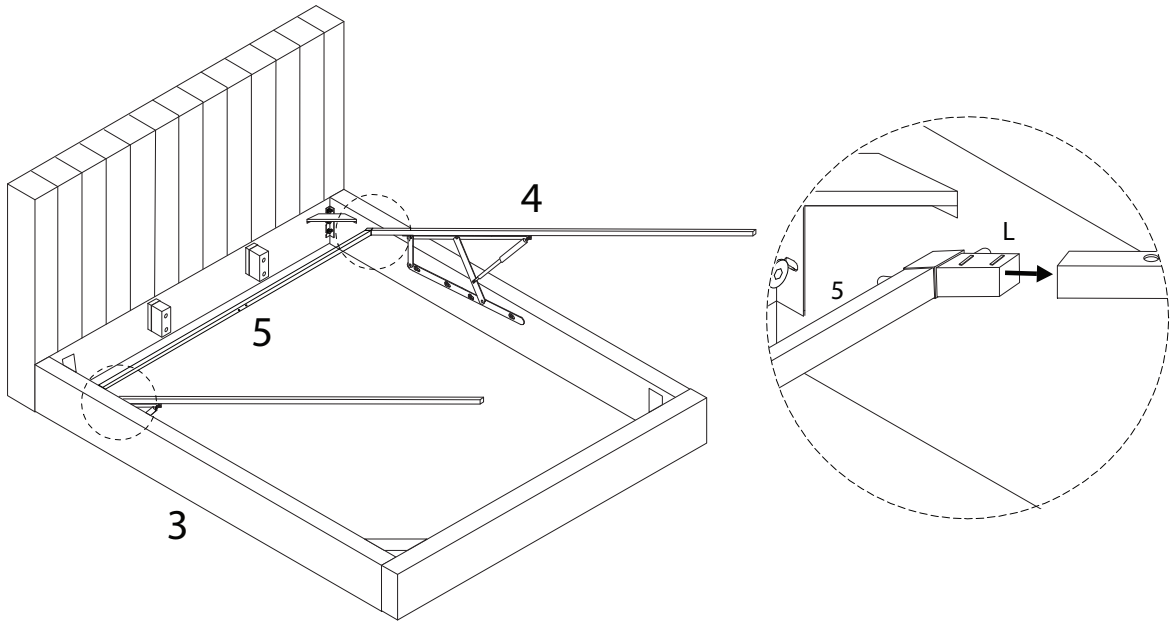


x 2

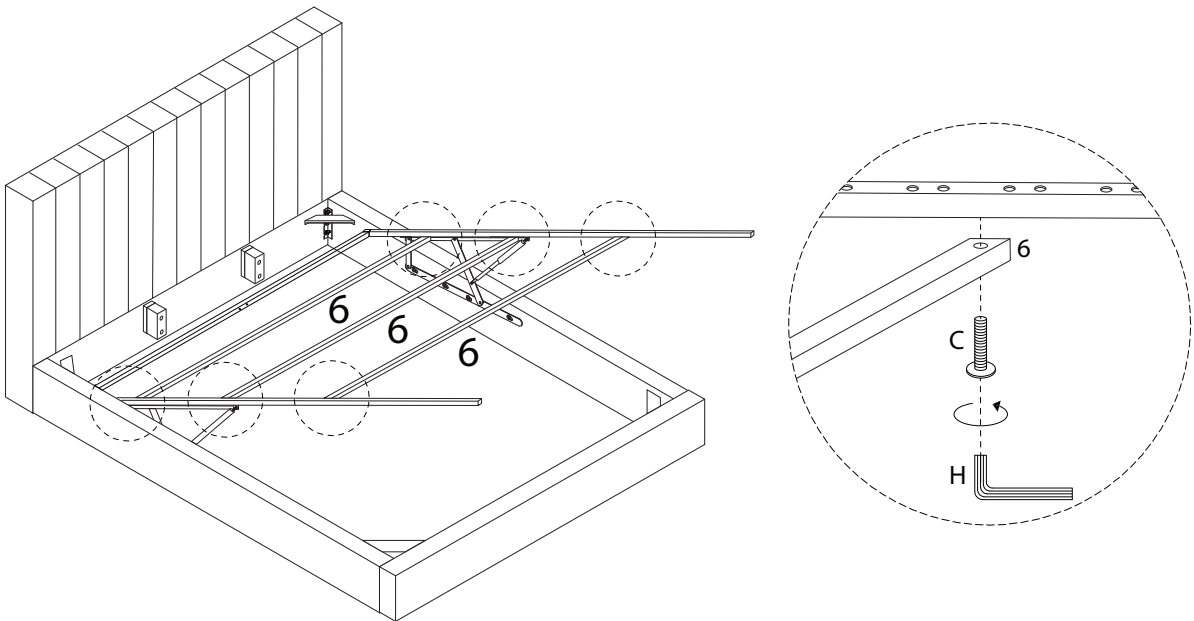
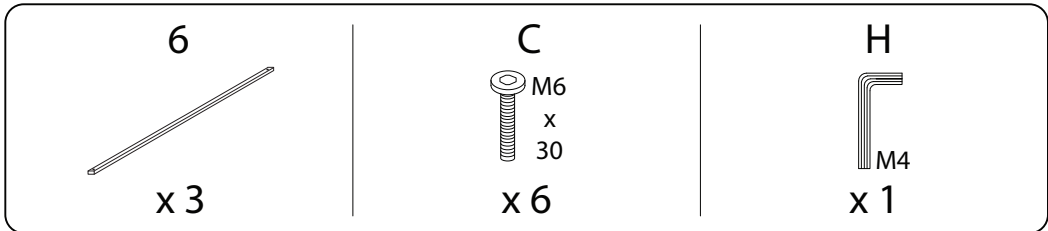




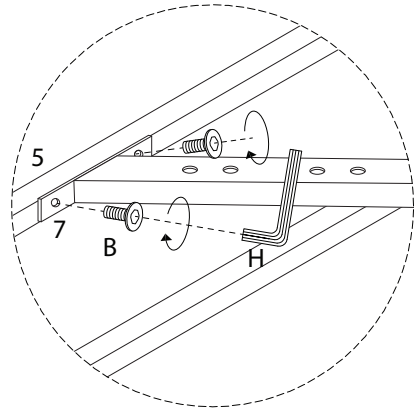
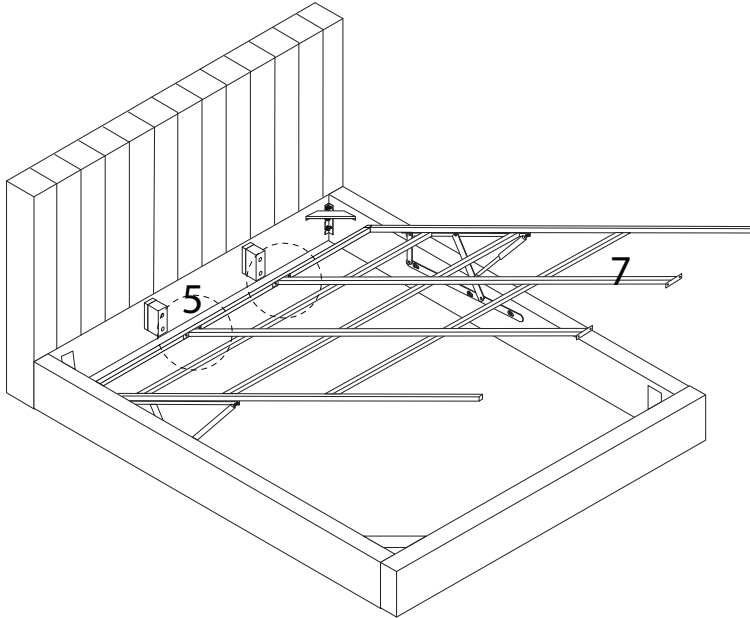
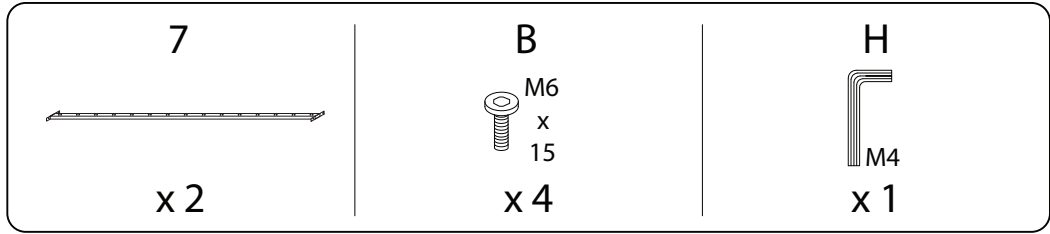
7



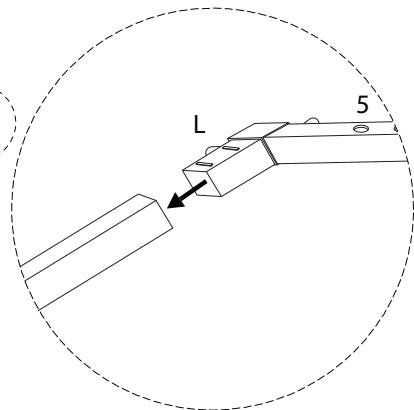
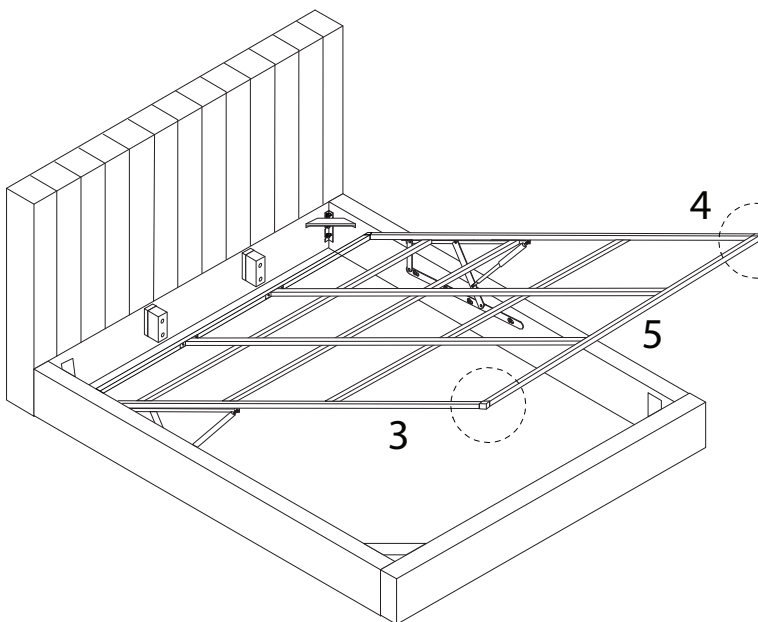
8



9

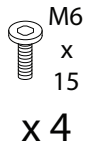


10

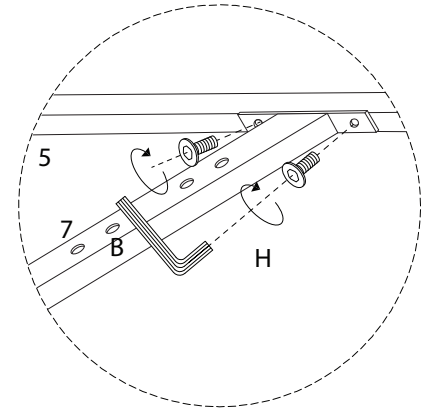
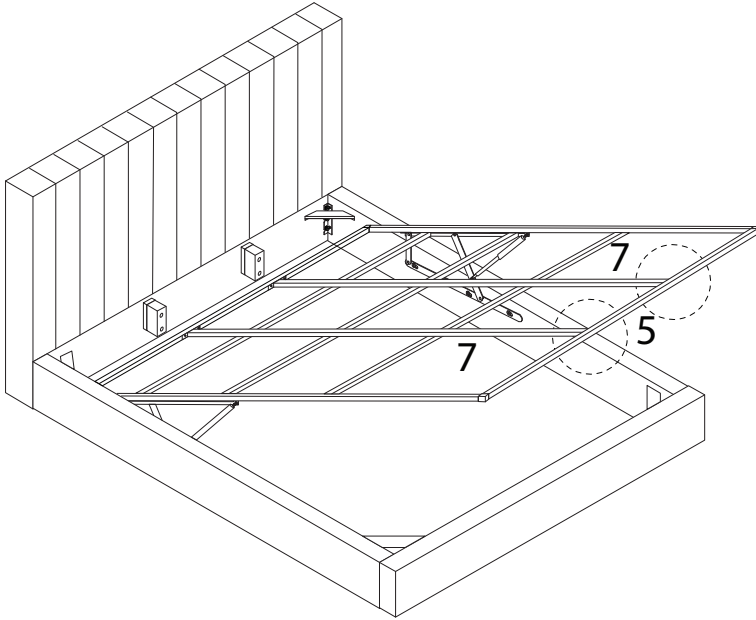


11

B

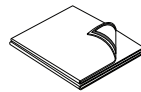


H

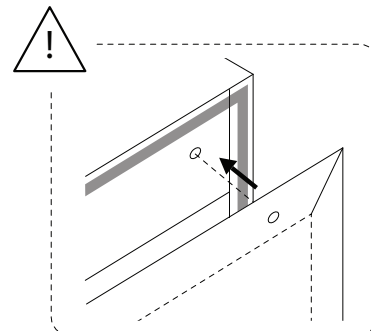
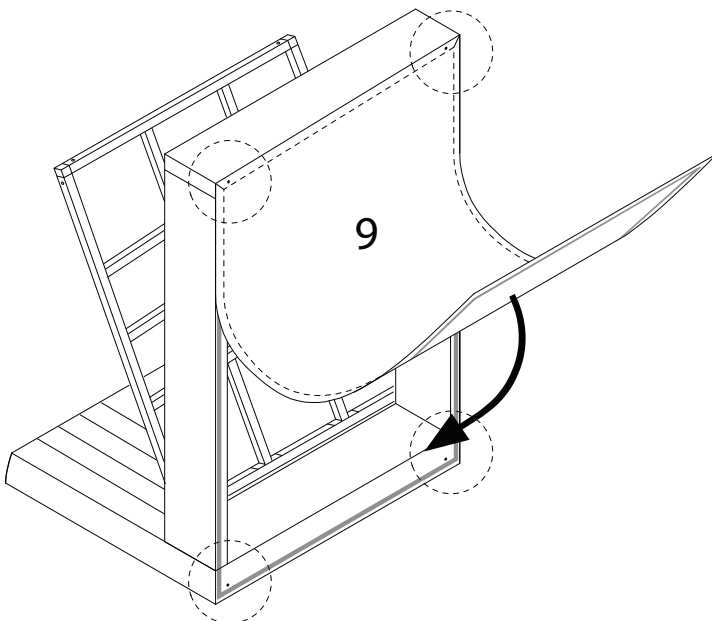


12

9



x 1

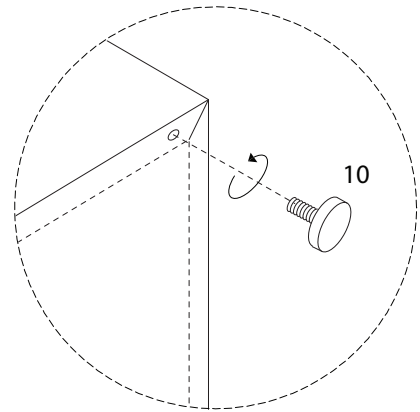
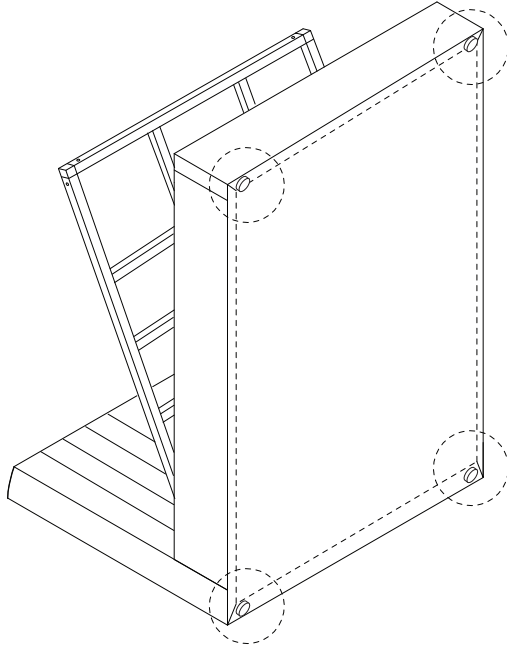


13

10



x 4

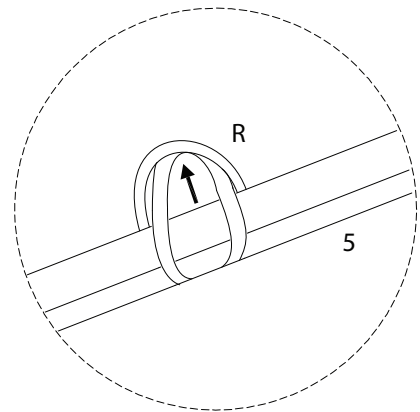
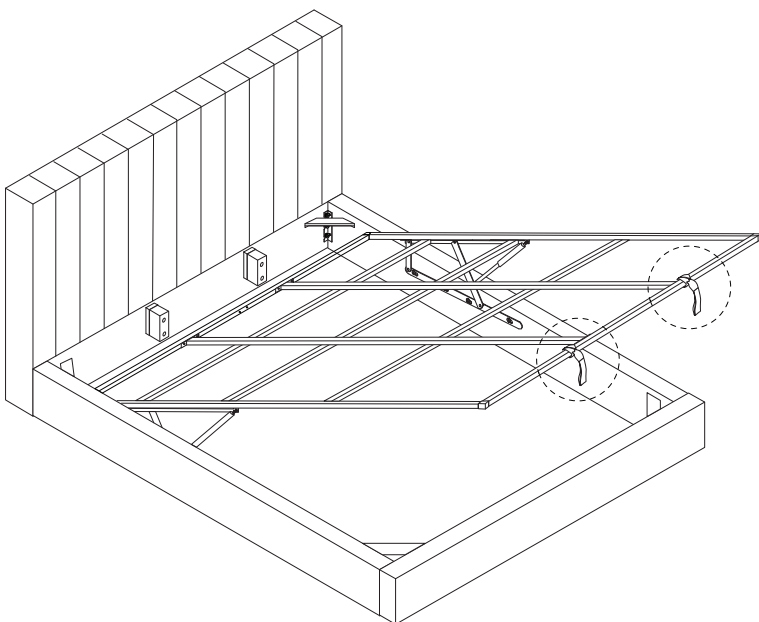


14

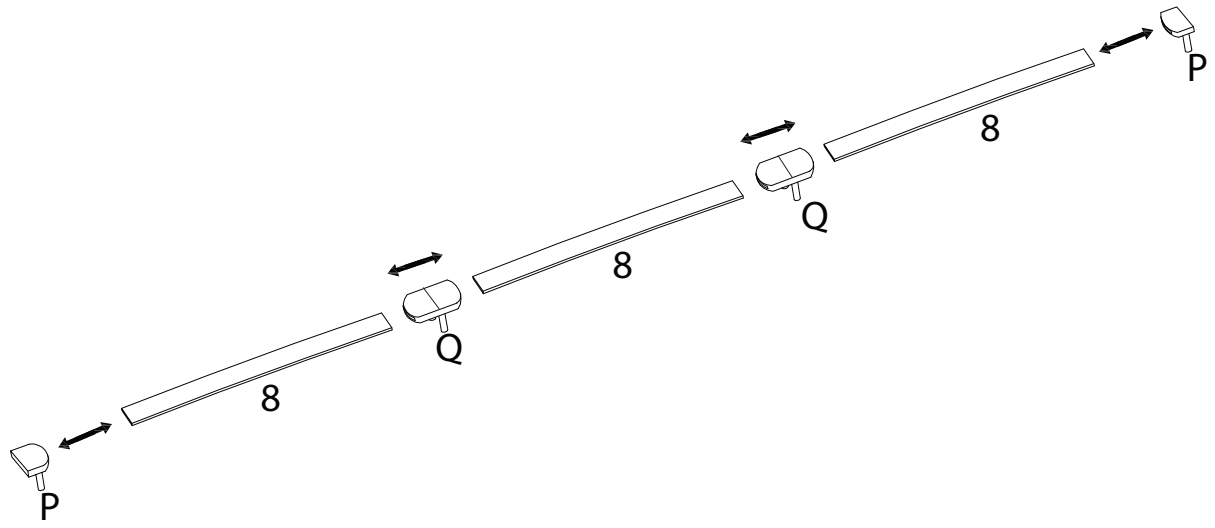
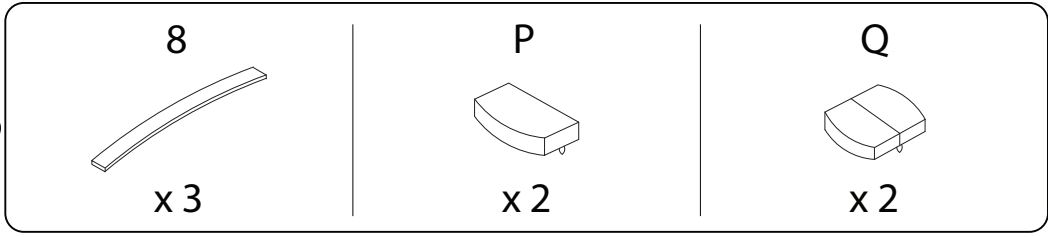
R



x 2



15 x 15



16

