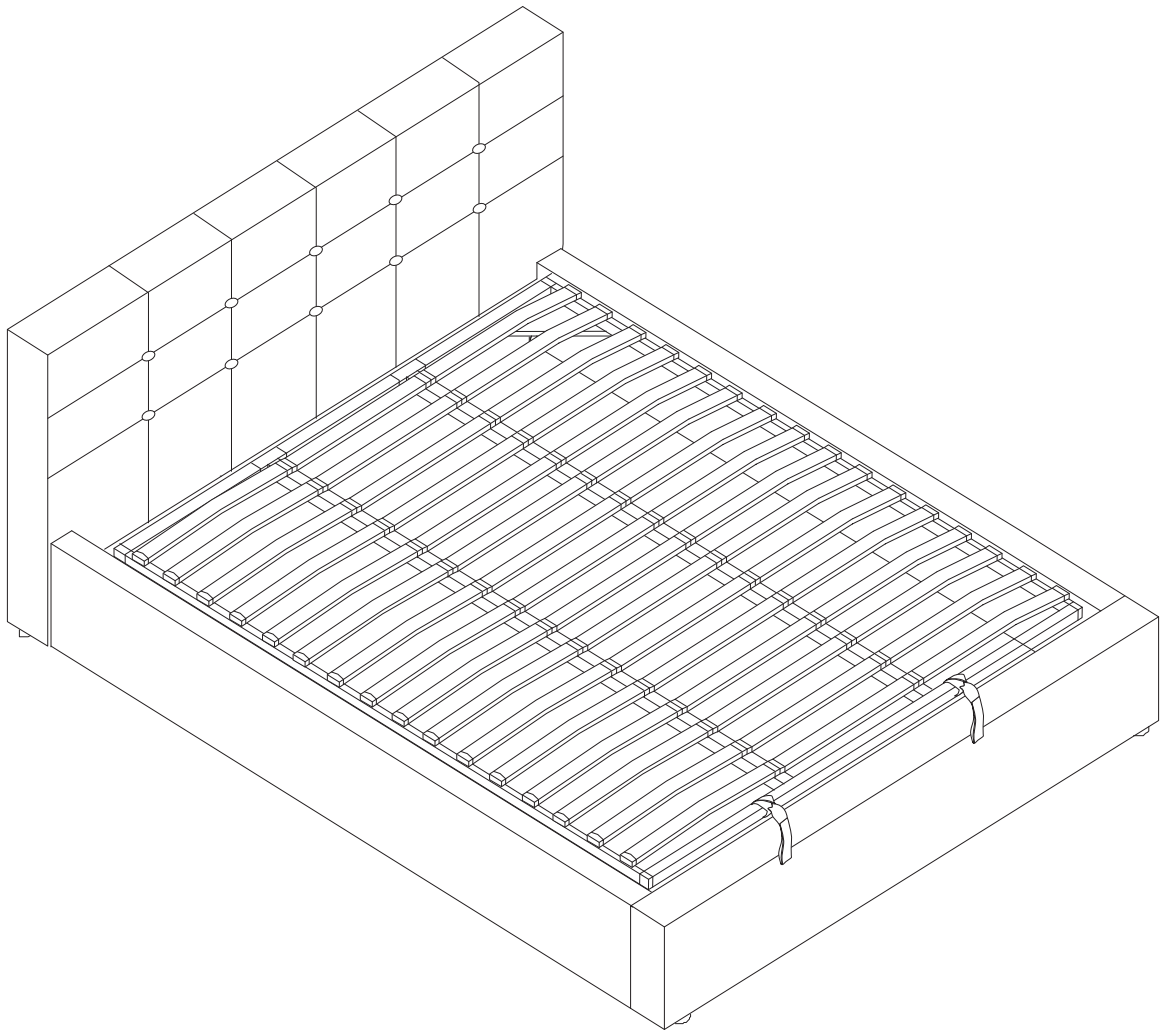
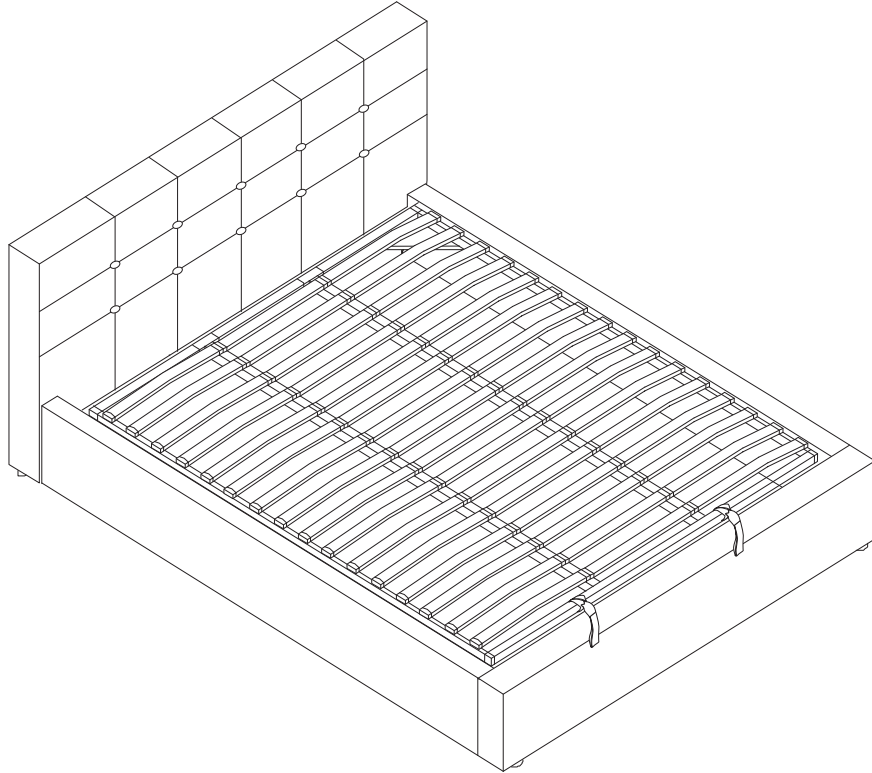
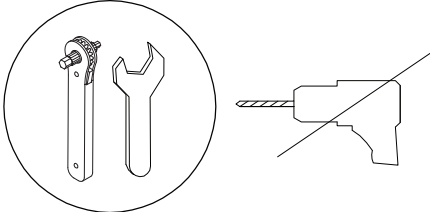

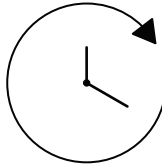
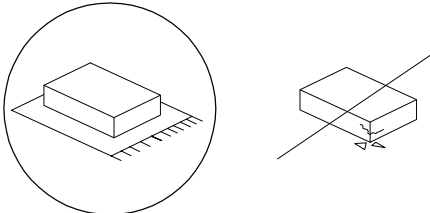

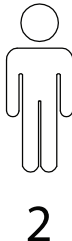


LORIENT





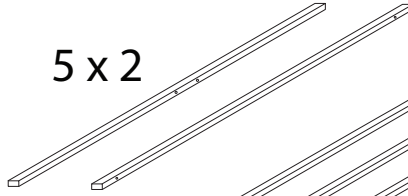
		
		

8 x 48

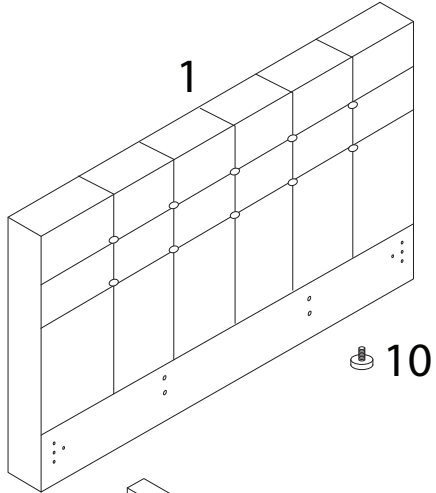
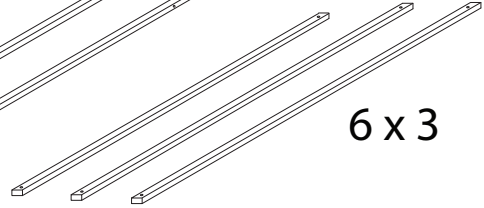
7 x 2



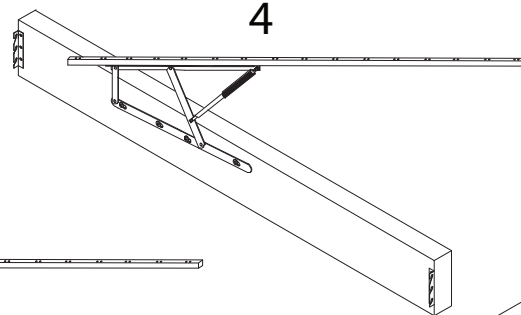
5 x 2



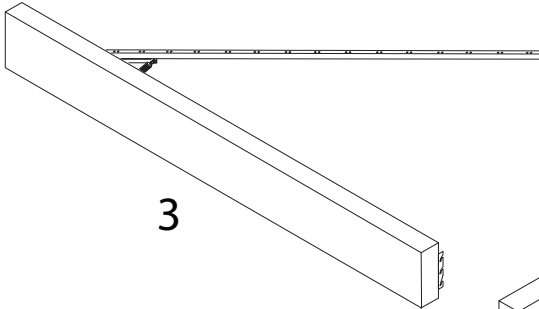
6 x 3



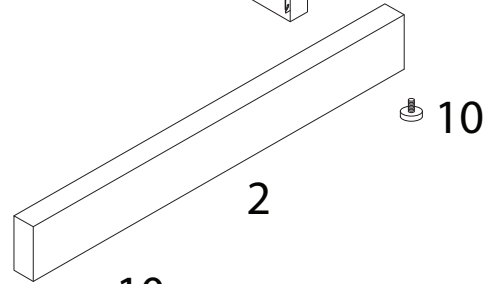
10



10



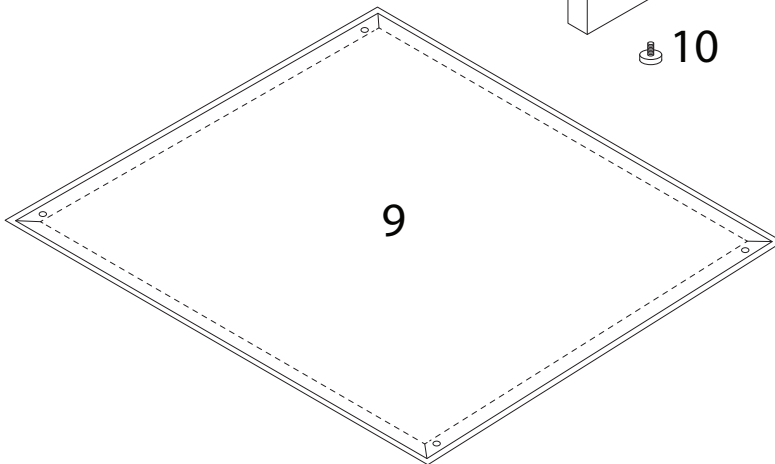
3



10

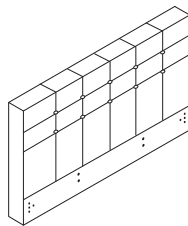
2

10



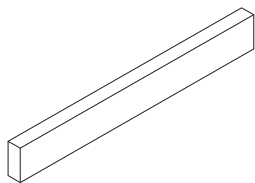
9

1



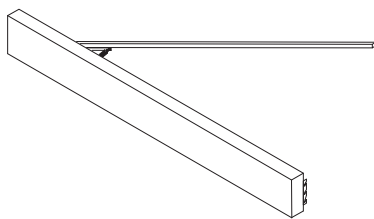
x 1

2



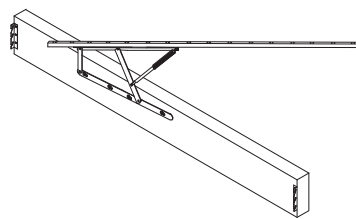
x 1

3



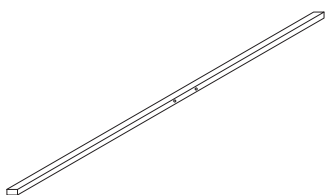
x 1

4



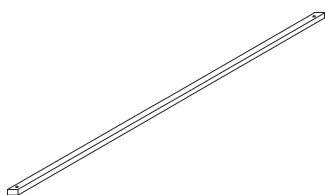
x 1

5



x 2

6



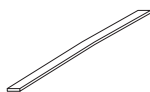
x 3

7



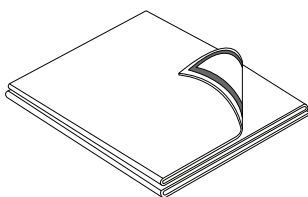
x 2

8



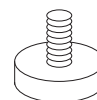
x 48

9



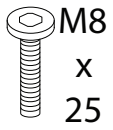
x 1

10



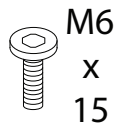
x 4

A



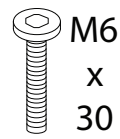
x 12

B



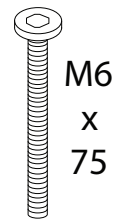
x 16

C



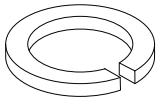
x 6

D



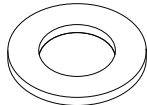
x 8

E



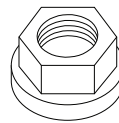
x 12

F



x 12

G



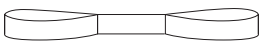
x 2

H



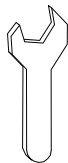
x 1

J



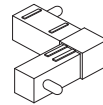
x 2

K



x 1

L



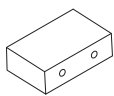
x 4

M



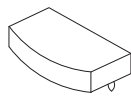
x 4

N



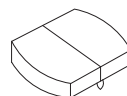
x 4

P



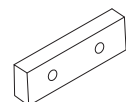
x 32

Q



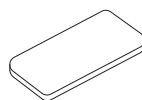
x 32

R



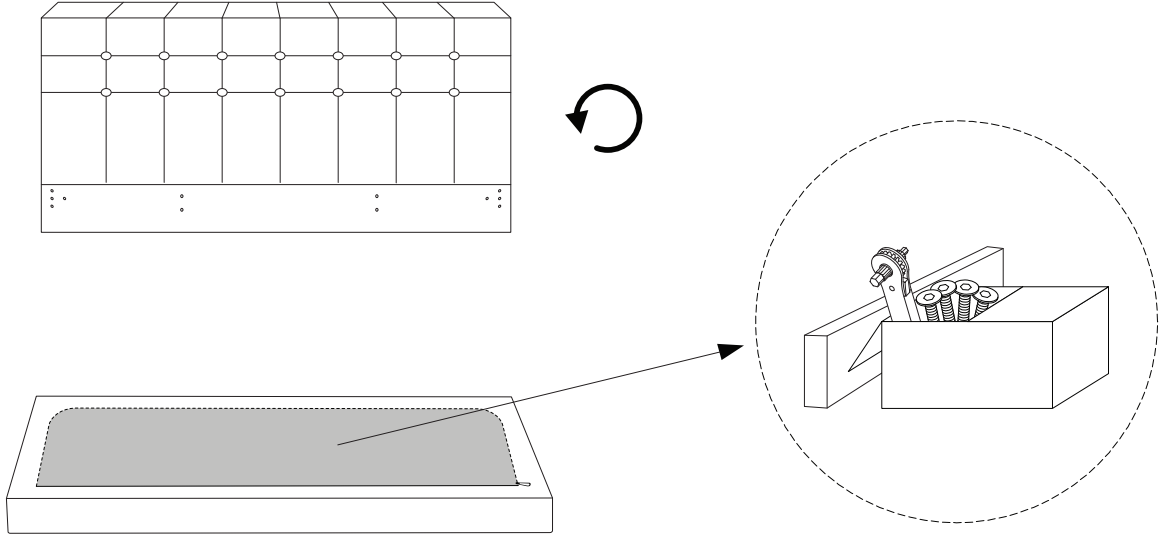
x 2

S



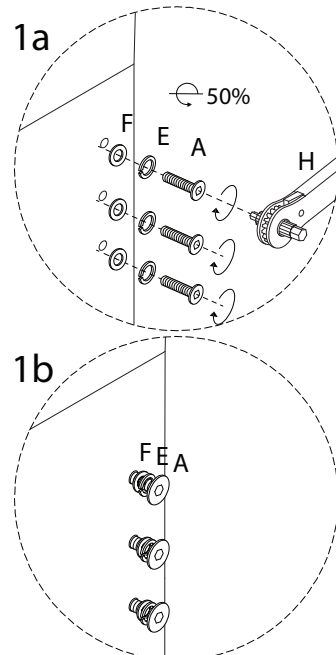
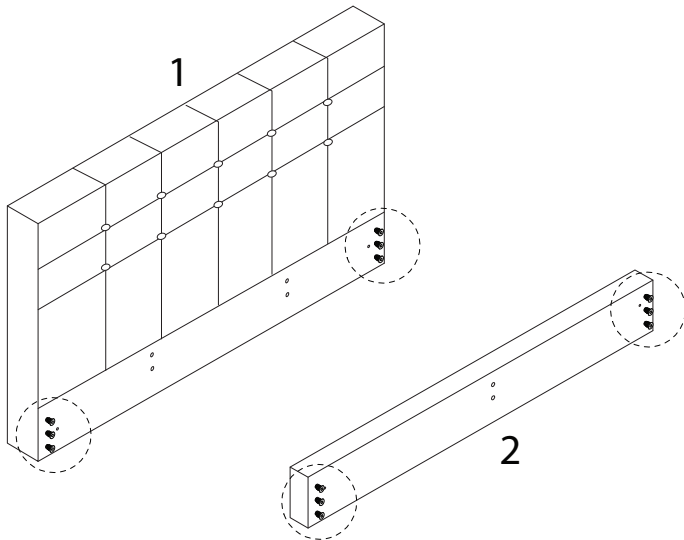
x 6

!

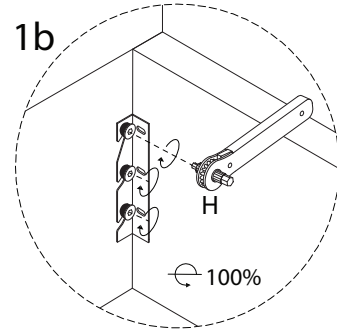
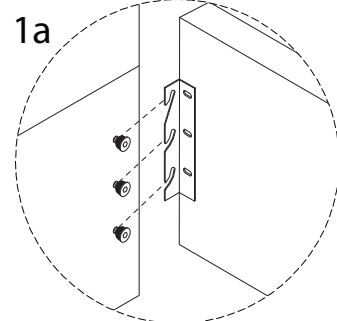
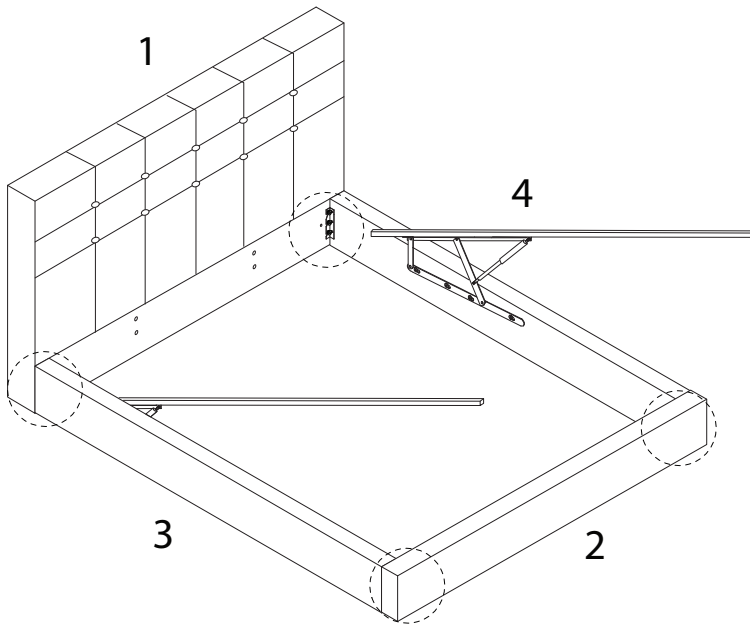
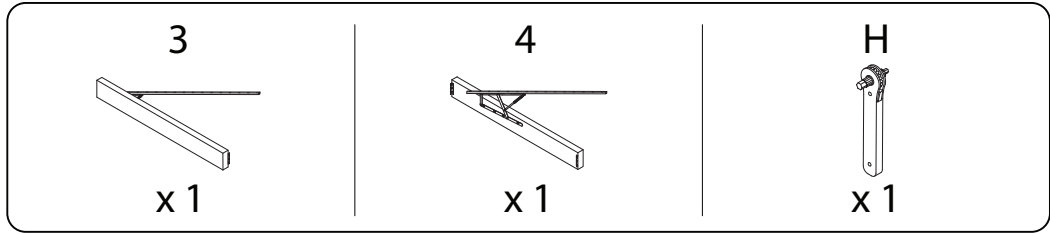


1

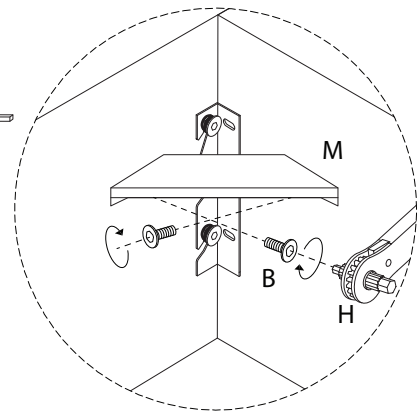
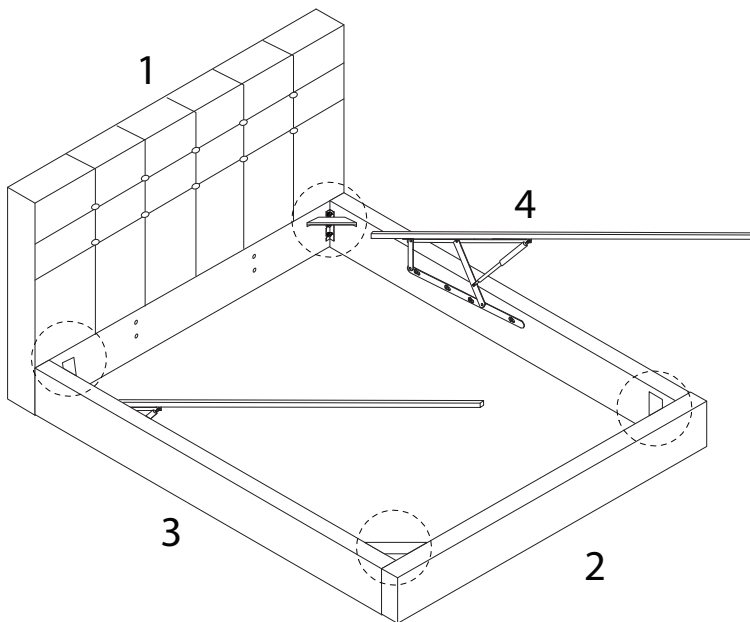
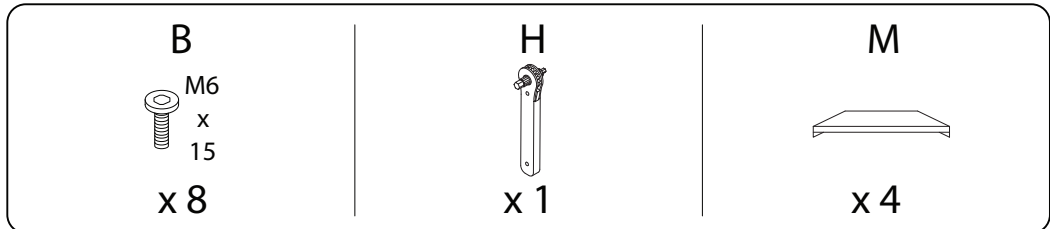
1 x 1	2 x 1	A x 12	E x 12	F x 12	H x 1
---------------------	---------------------	----------------------	----------------------	----------------------	---------------------



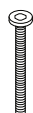
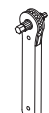
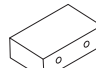
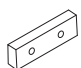
2

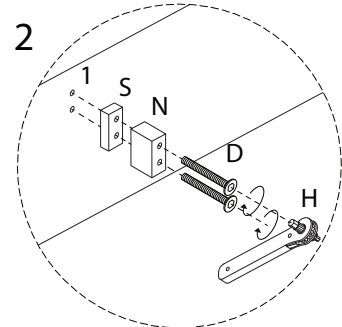
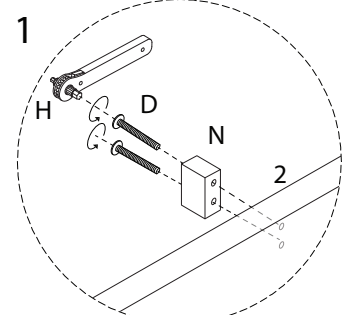
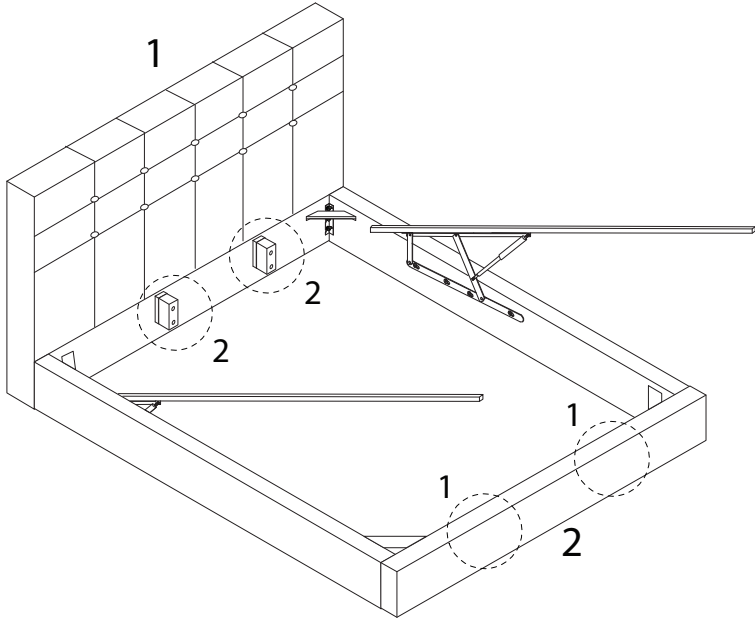


3

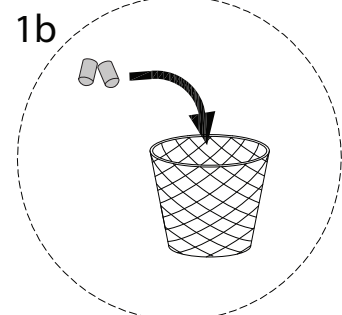
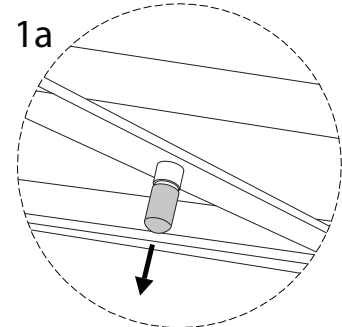
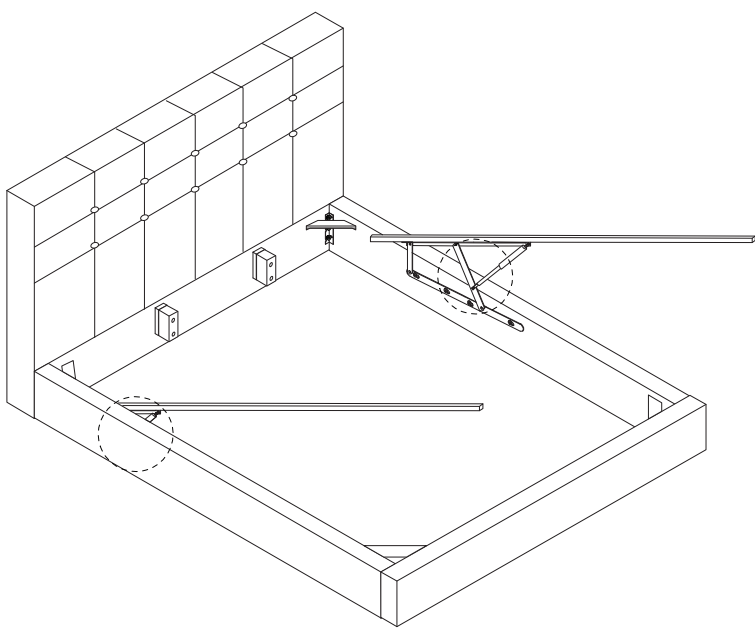


4

D  M6 x 75 x 8	H  x 1	N  x 4	S  x 2
--	--	---	--



!



5

G

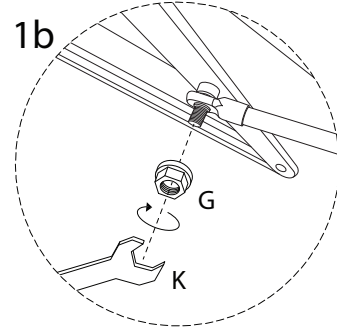
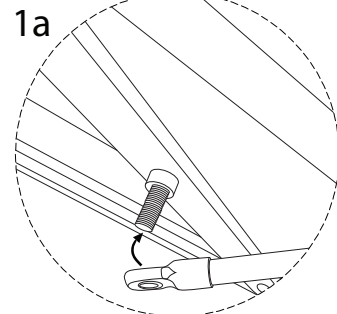
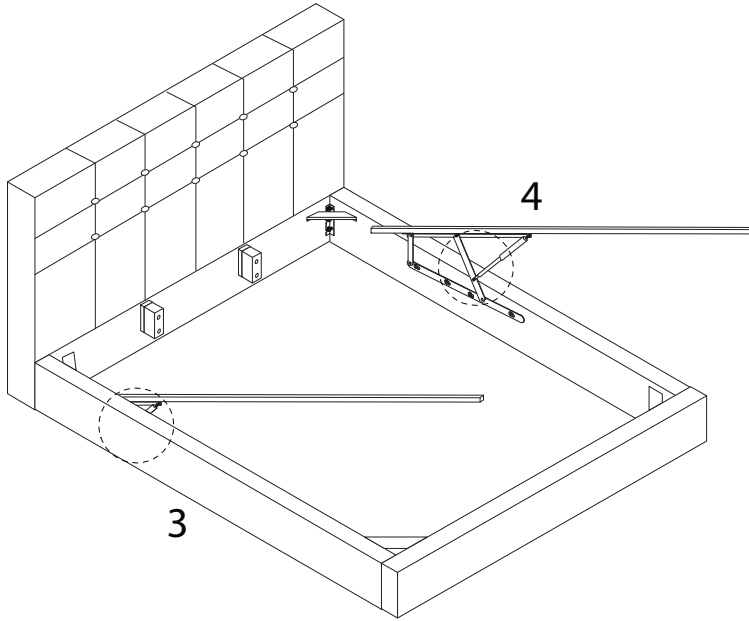


x 2

K

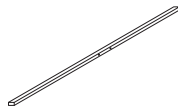


x 1



6 x 2

5

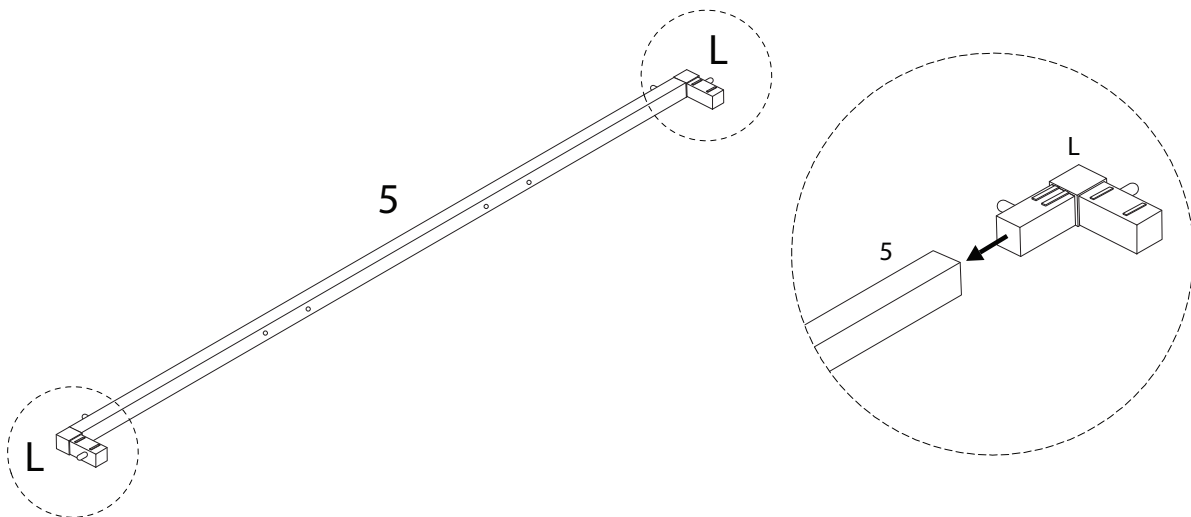


x 1

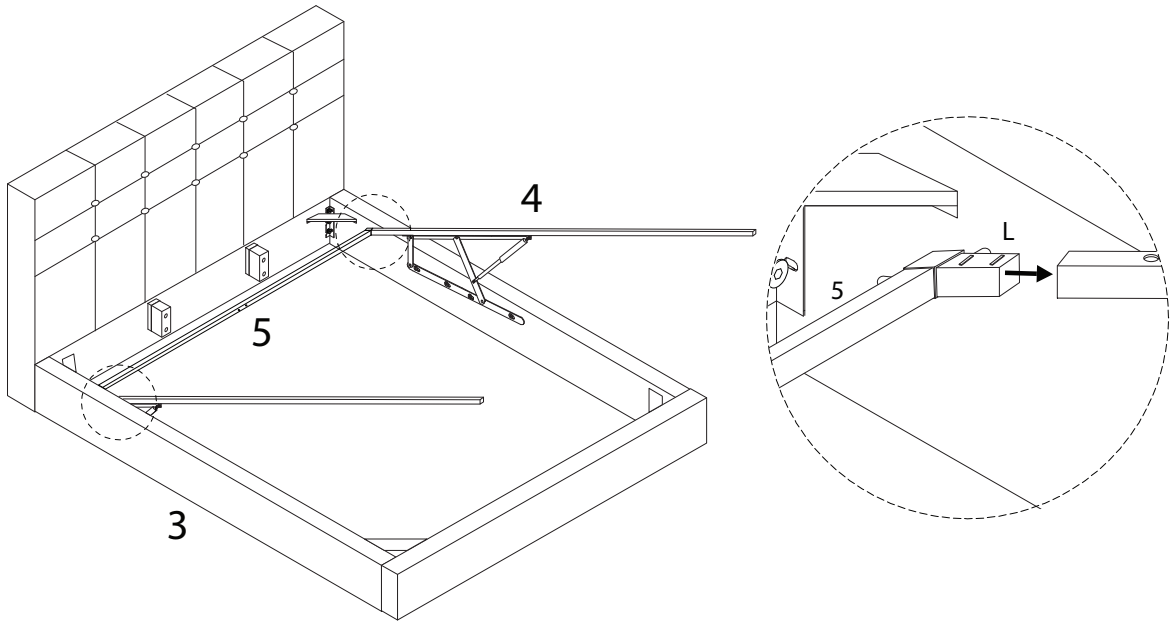
L



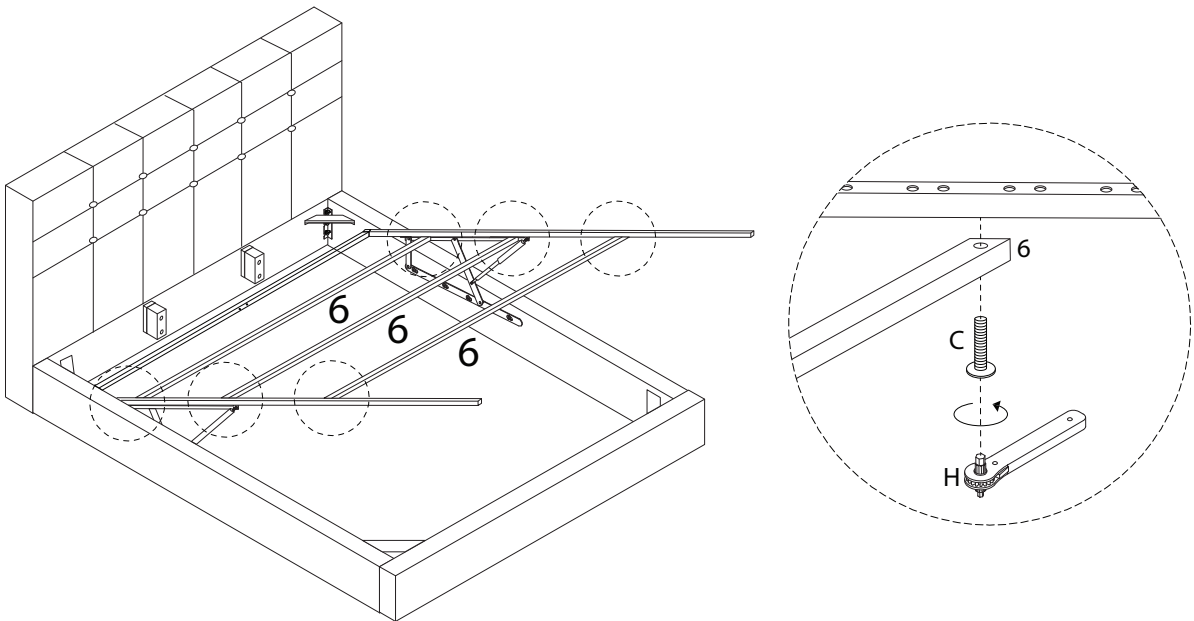
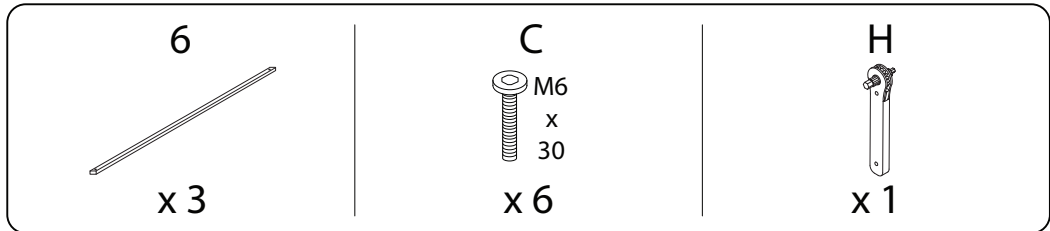
x 2



7

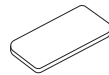


8

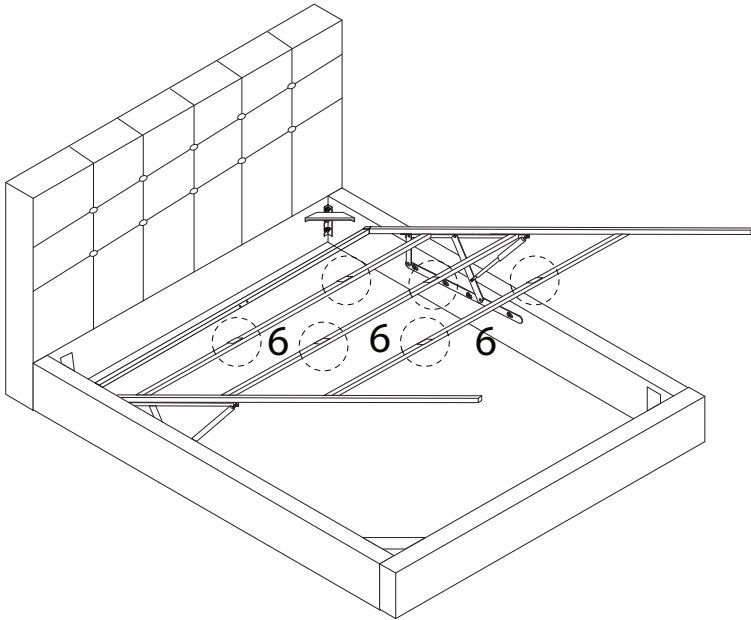


9

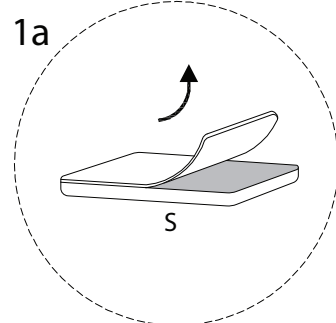
S



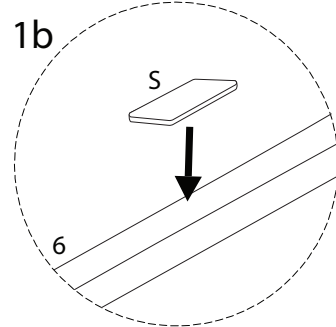
x 6



1a



1b



10

7



x 2

8



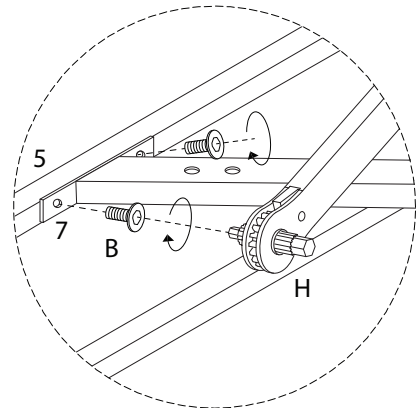
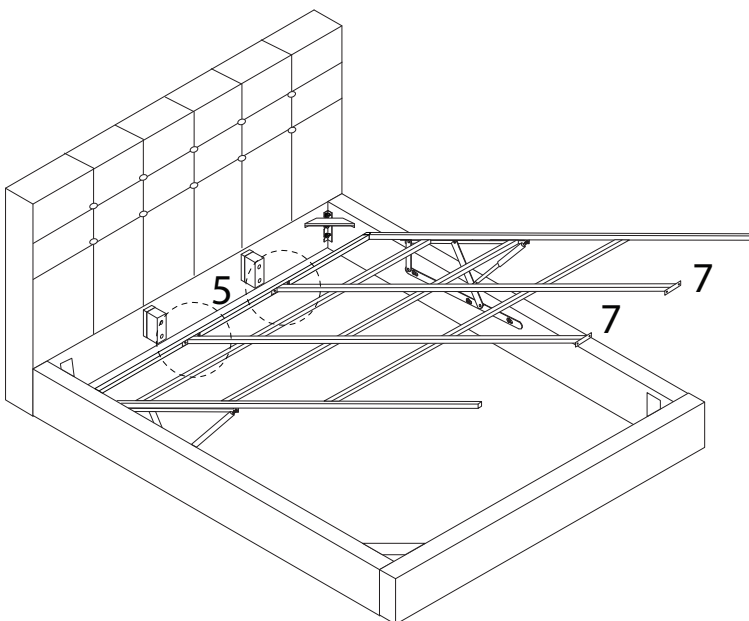
M6
x
15

x 4

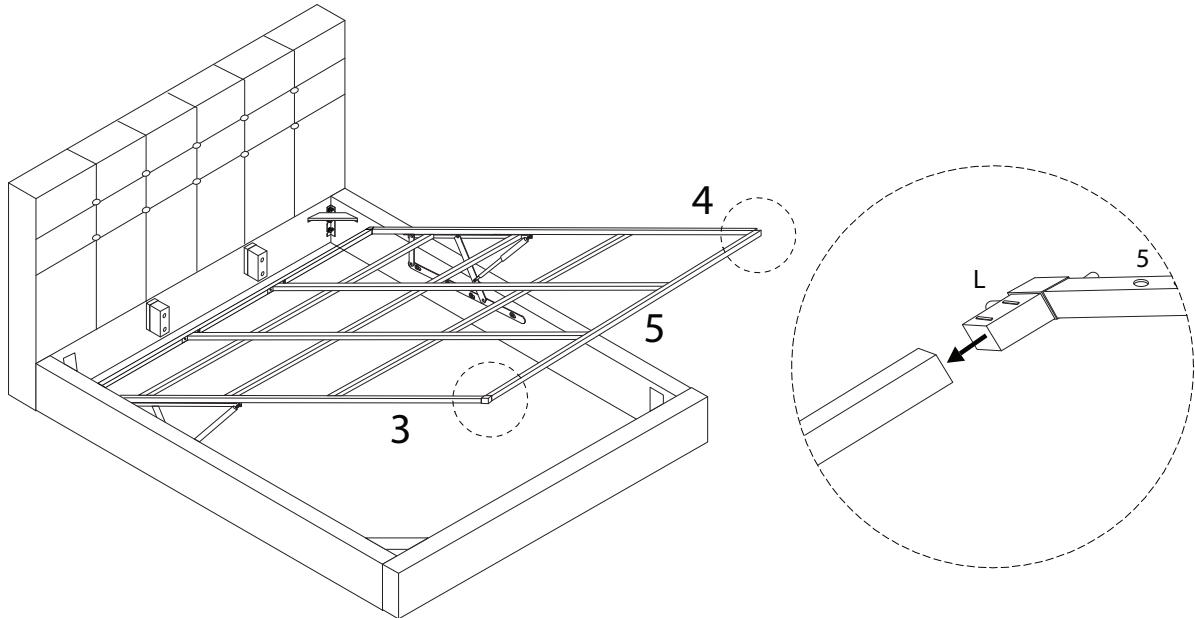
H




x 1




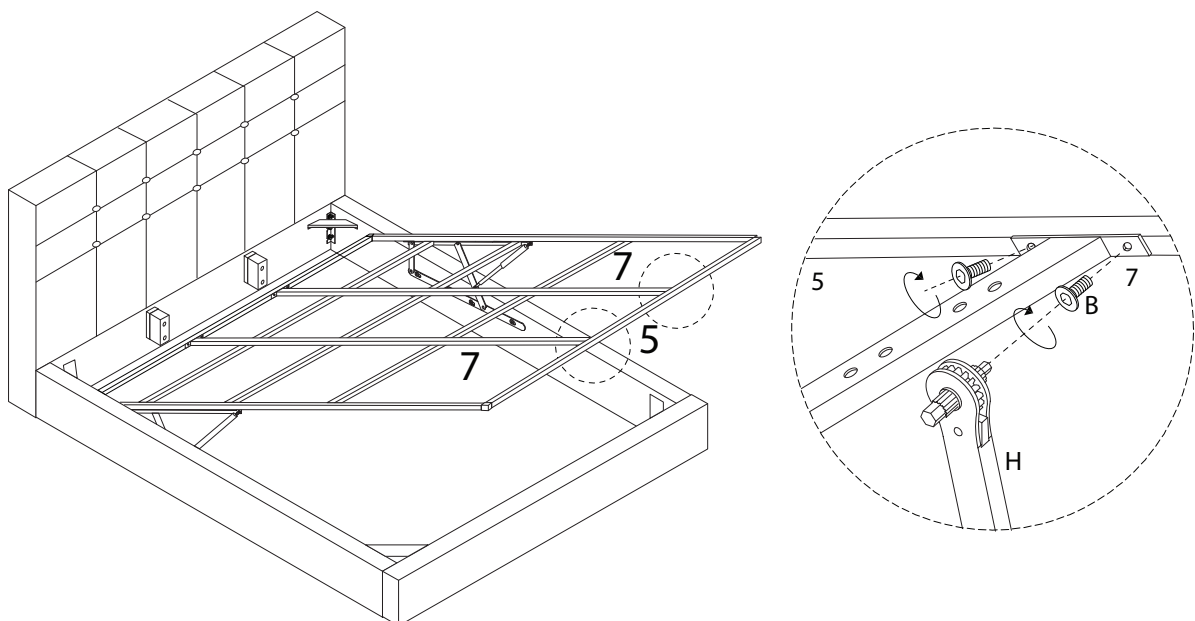
11



12

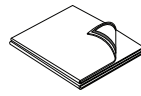
B

M6
x
15
x 4

H

x 1

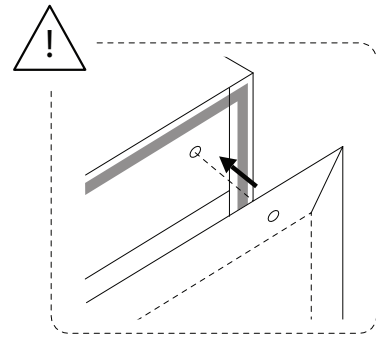
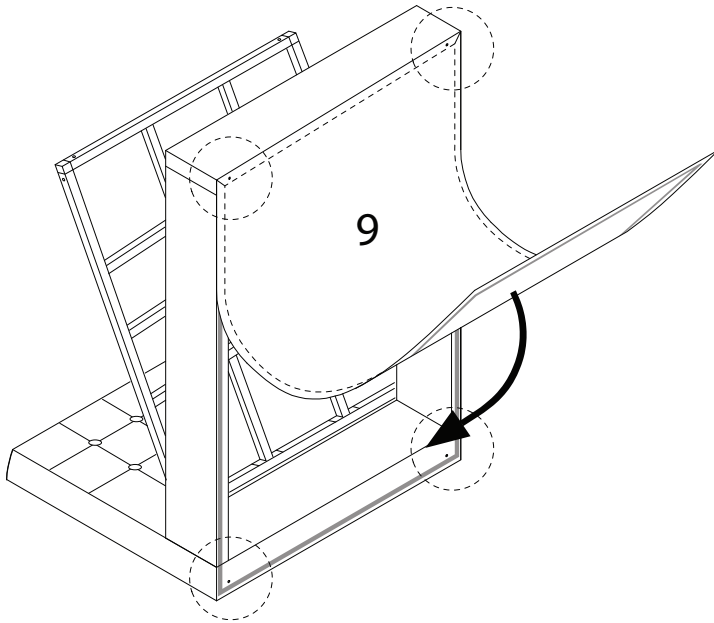


13

9



x 1

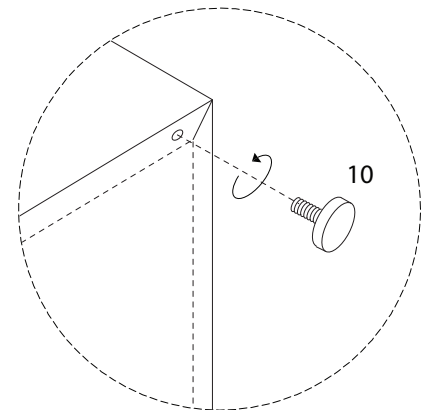
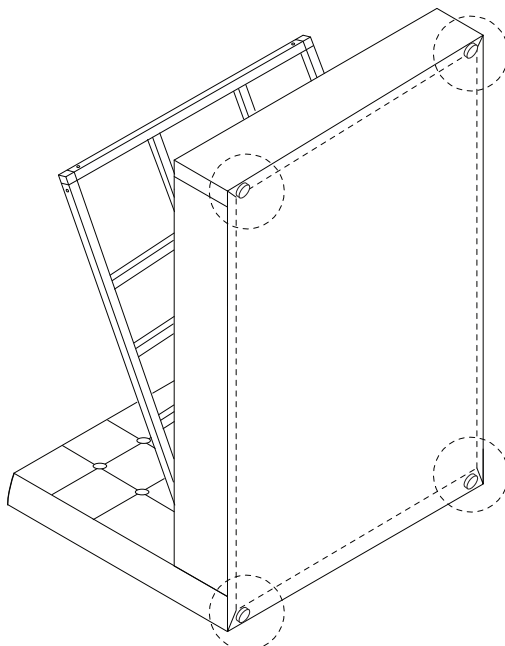


14

10

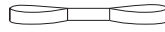


x 4

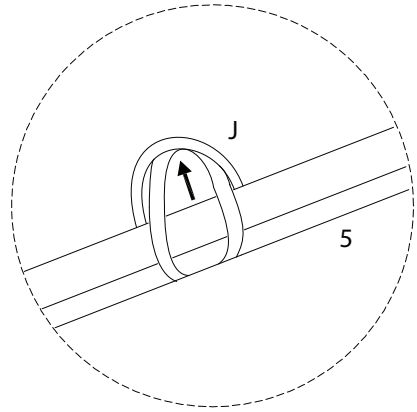
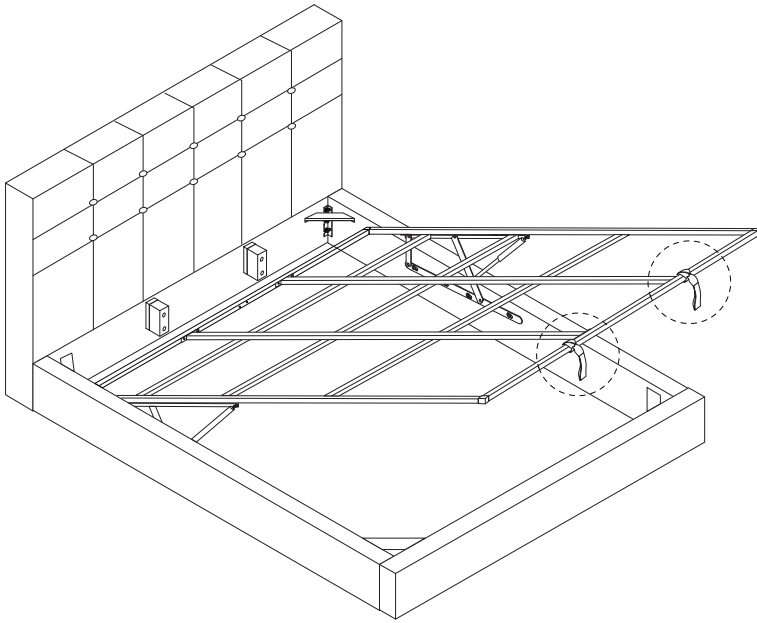


15

J

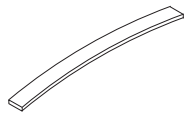


x2



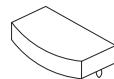
16 x 16

8



x3

P

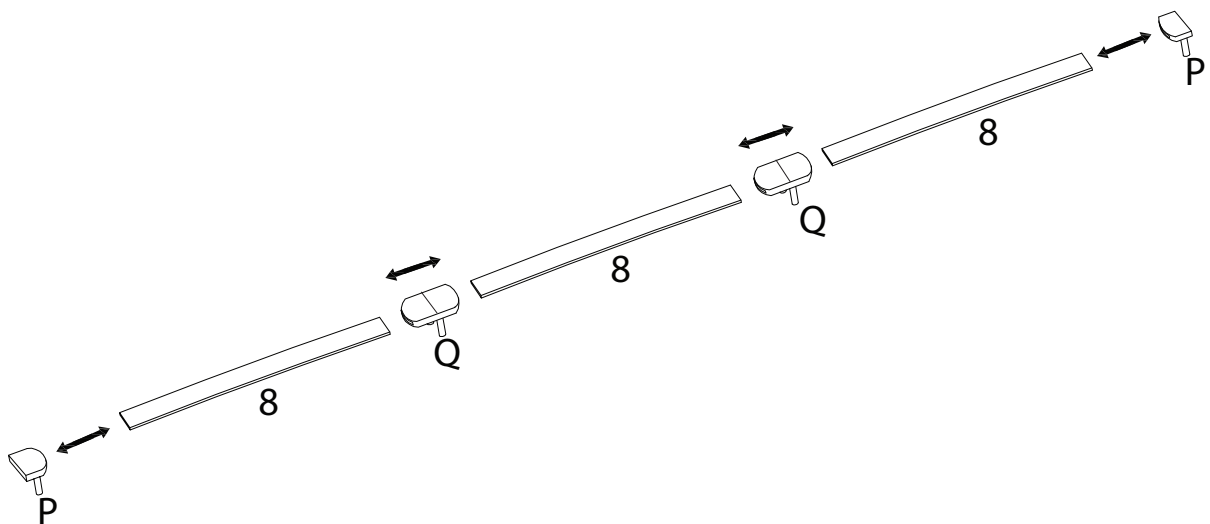


x2

Q



x2



17

