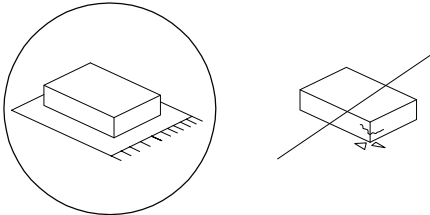

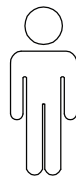
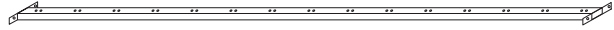
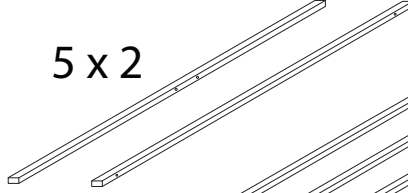

		60'
		
		2

8 x 45

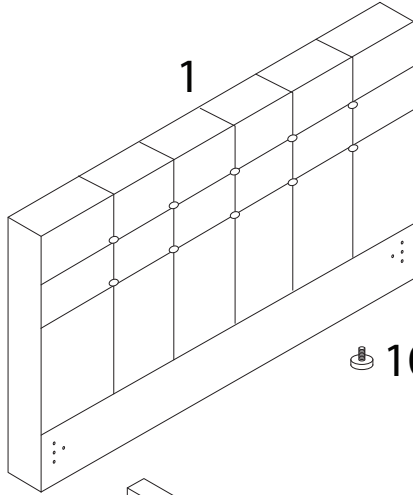
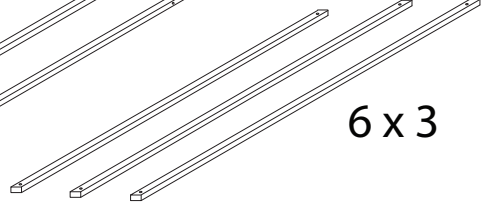
7 x 2



5 x 2

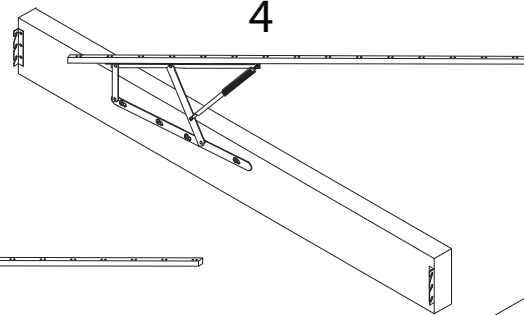


6 x 3



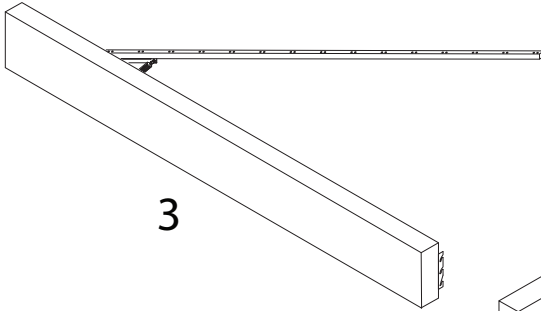
1

10

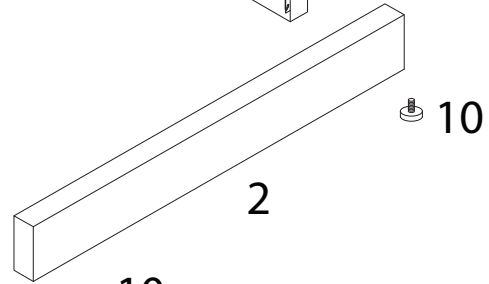


4

10

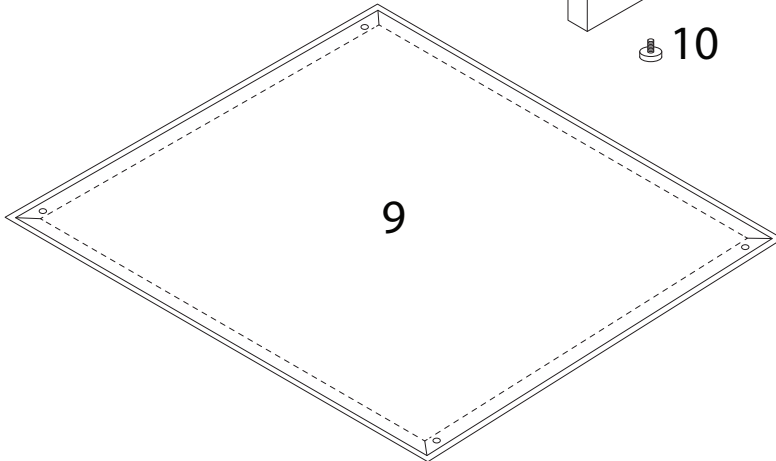


3



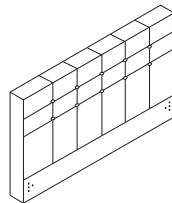
2

10



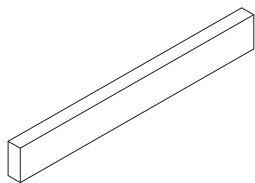
9

1



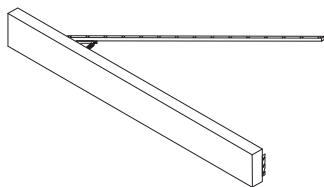
x 1

2



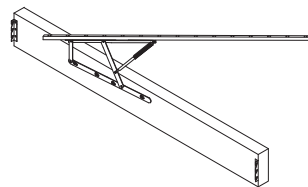
x 1

3



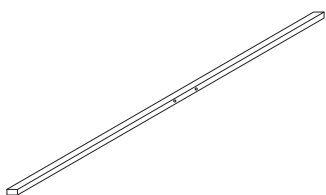
x 1

4



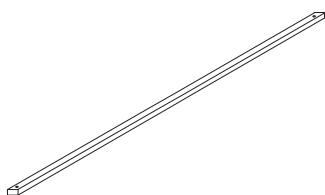
x 1

5



x 2

6



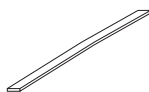
x 3

7



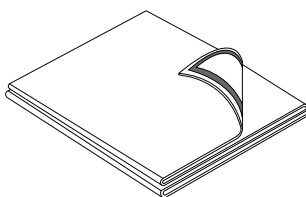
x 2

8



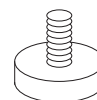
x 45

9



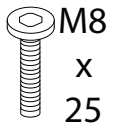
x 1

10



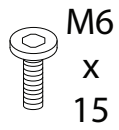
x 4

A



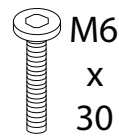
x 12

B



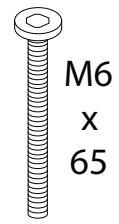
x 16

C



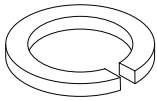
x 6

D



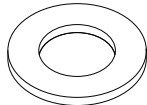
x 6

E



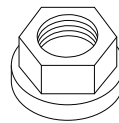
x 12

F



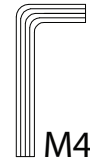
x 12

G



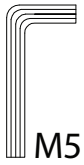
x 2

H



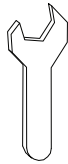
x 1

J



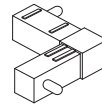
x 1

K



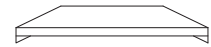
x 1

L



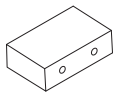
x 4

M



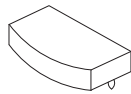
x 4

N



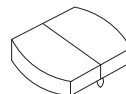
x 3

P



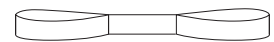
x 30

Q



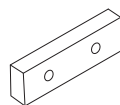
x 30

R



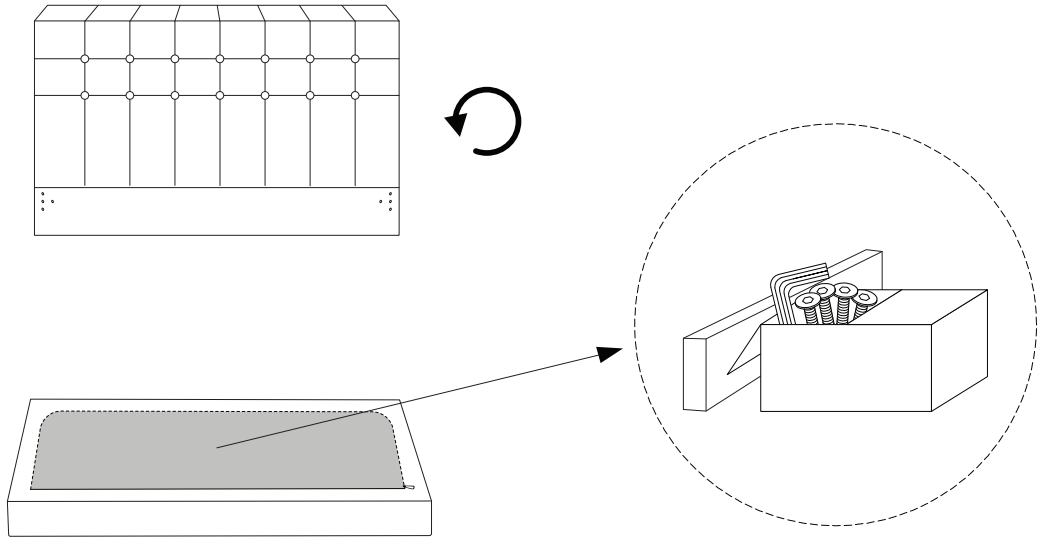
x 2

S

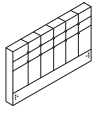
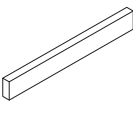

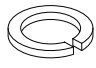




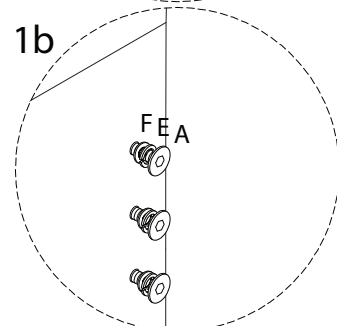
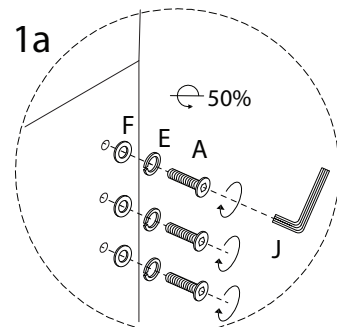
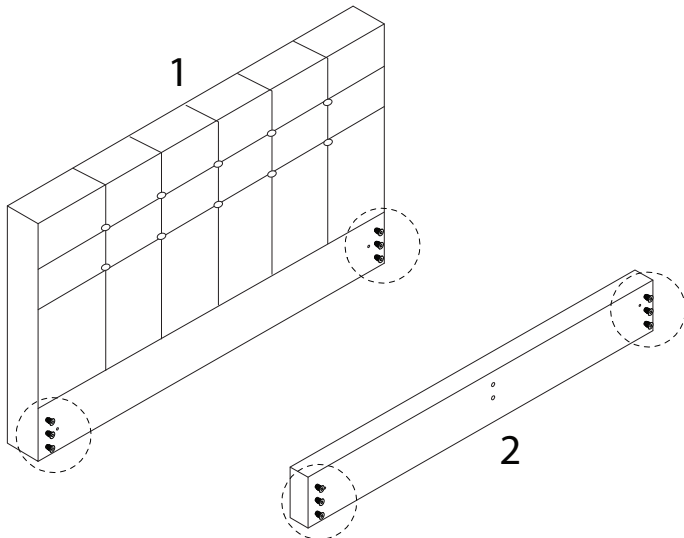
x 2

!

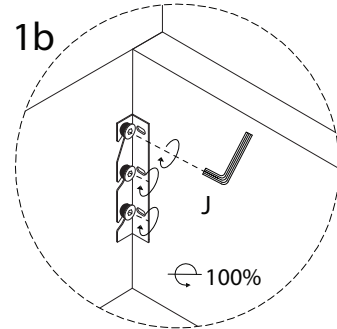
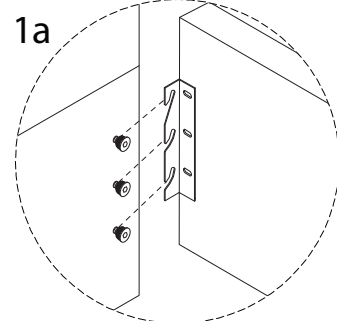
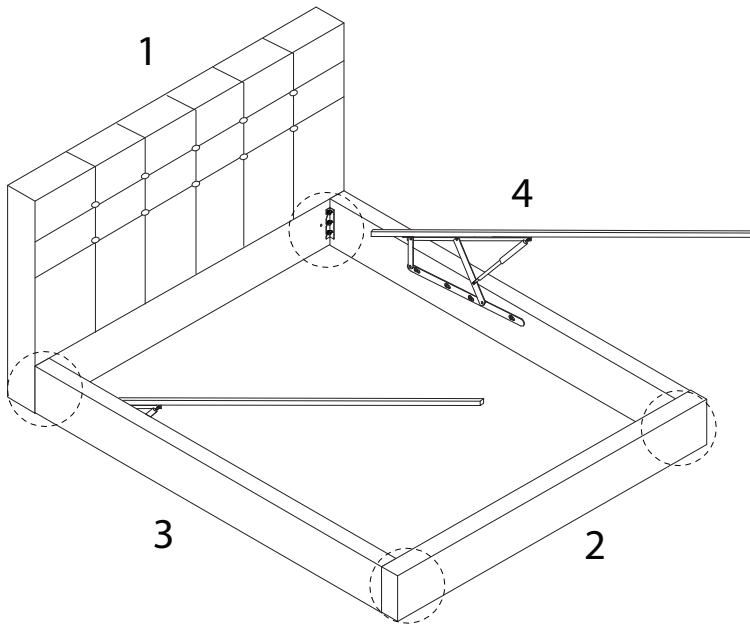
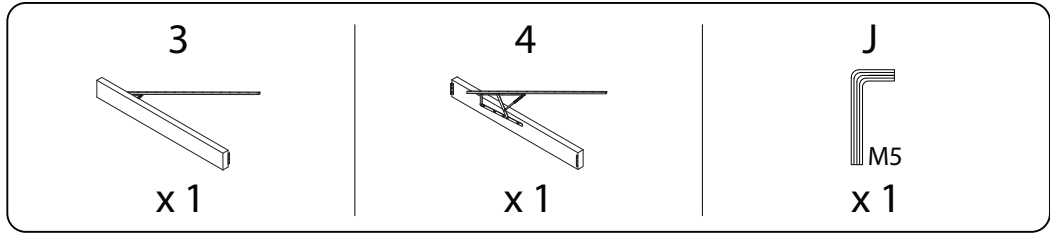


1

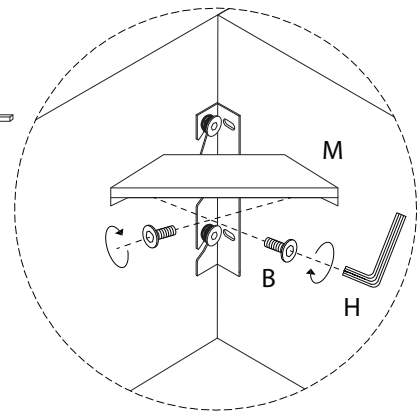
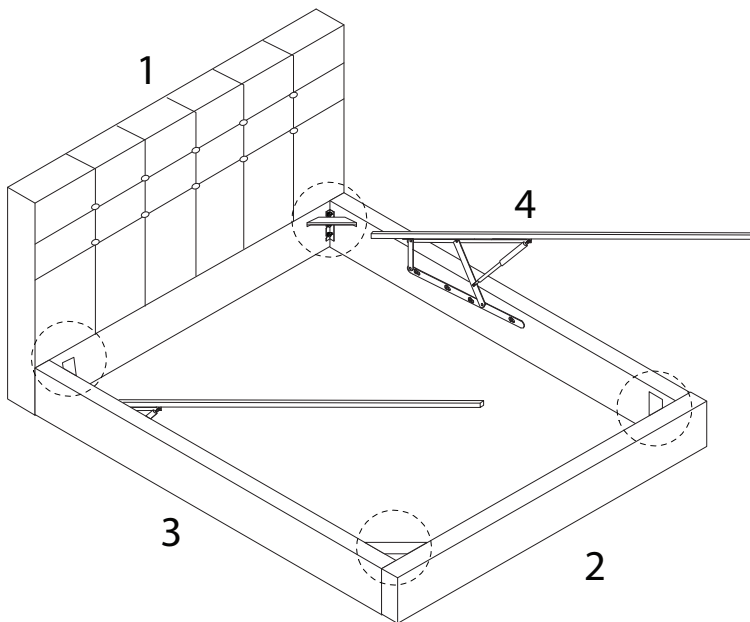
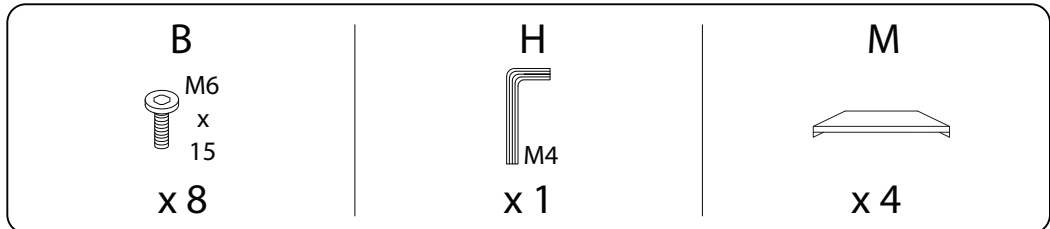
1  x 1	2  x 1	A  M8 x 25 x 12	E  x 12	F  x 12	J  M5 x 1
--	--	--	--	---	--





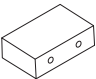
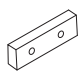
2

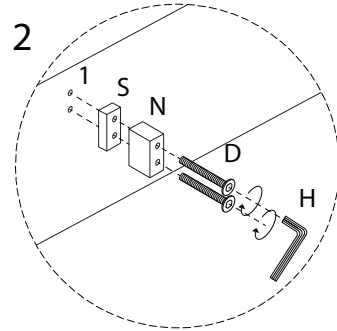
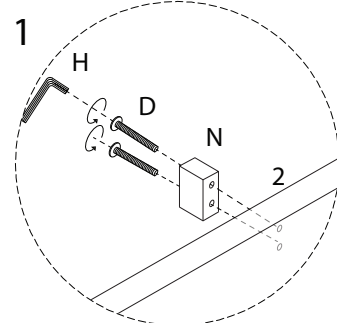
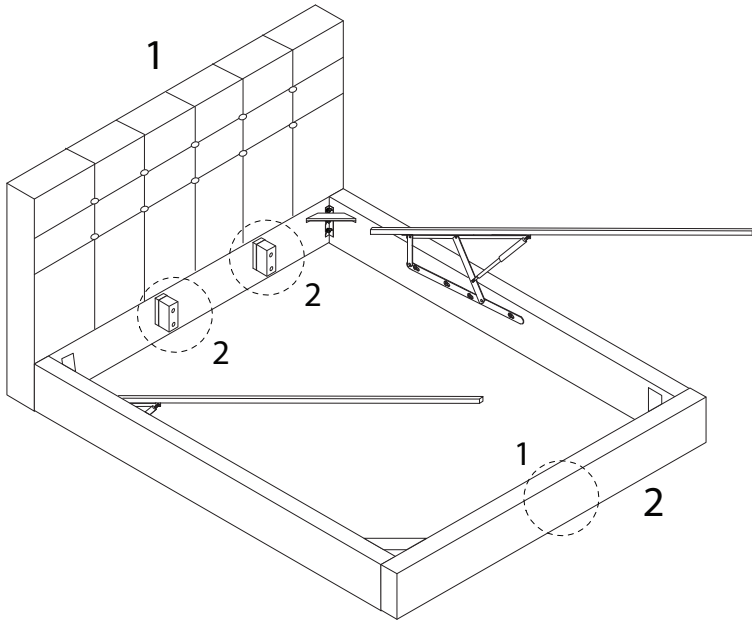


3

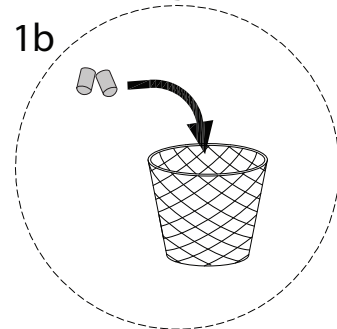
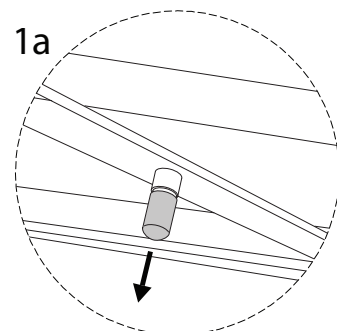
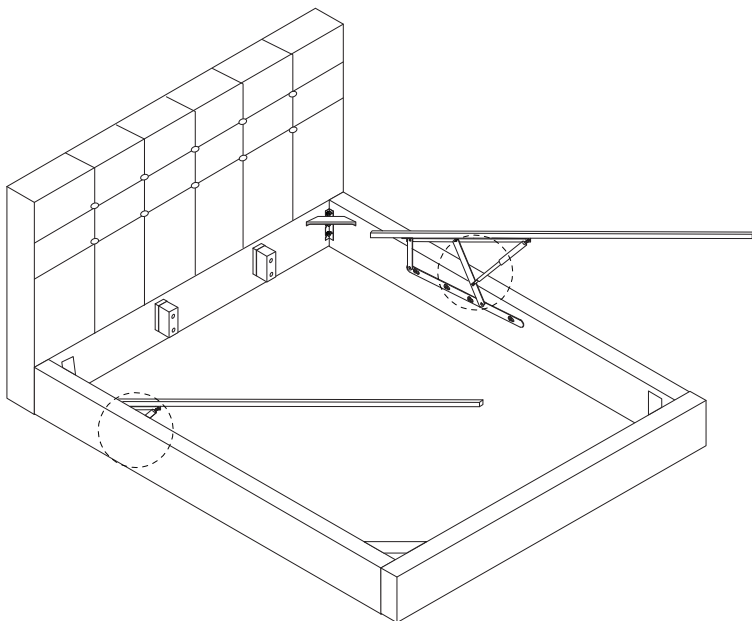


4

D  M6 x 65 x 6	H  M4 x 1	N  x 3	S  x 2
---	--	---	--



!



5

G

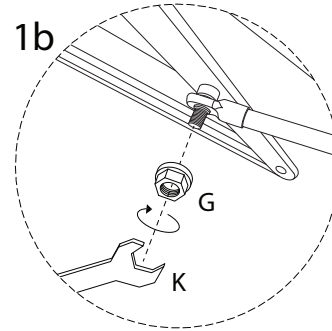
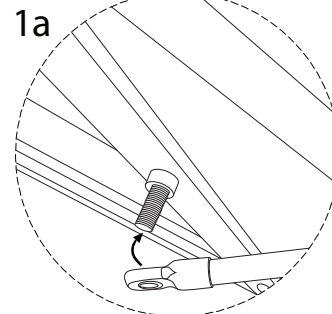
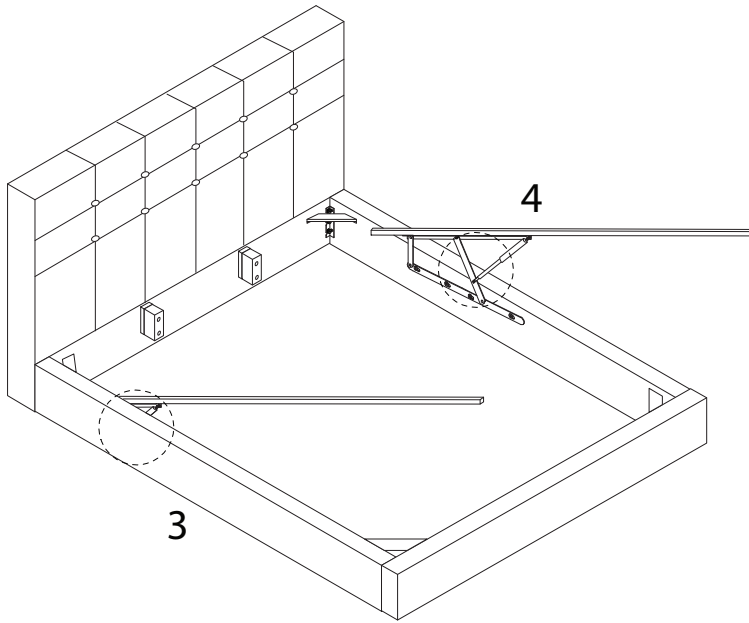


x 2

K

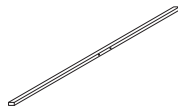


x 1



6 x 2

5

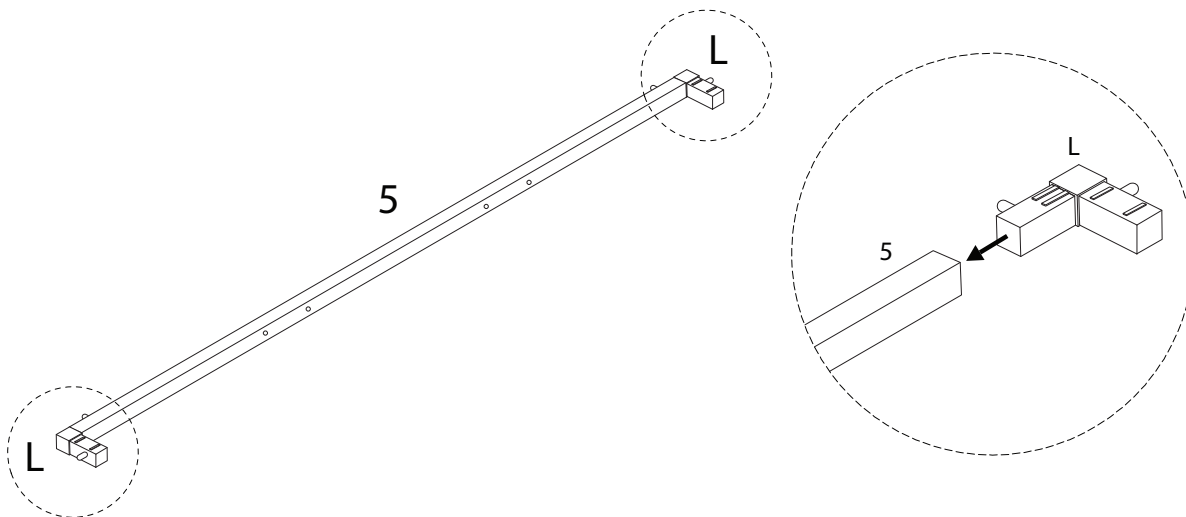


x 1

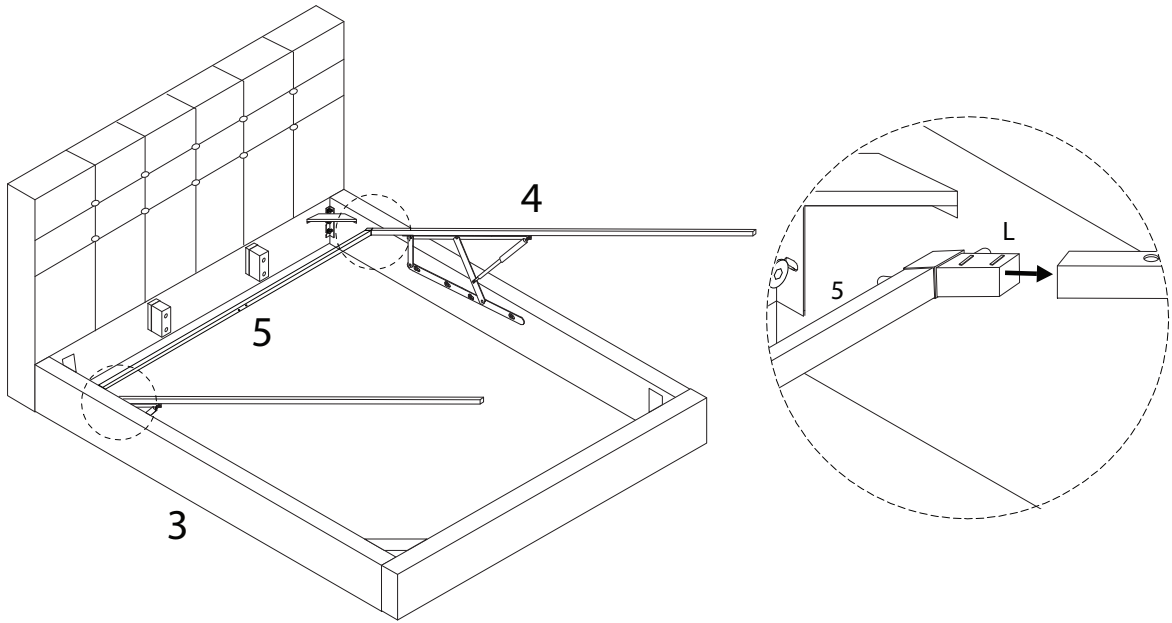
L



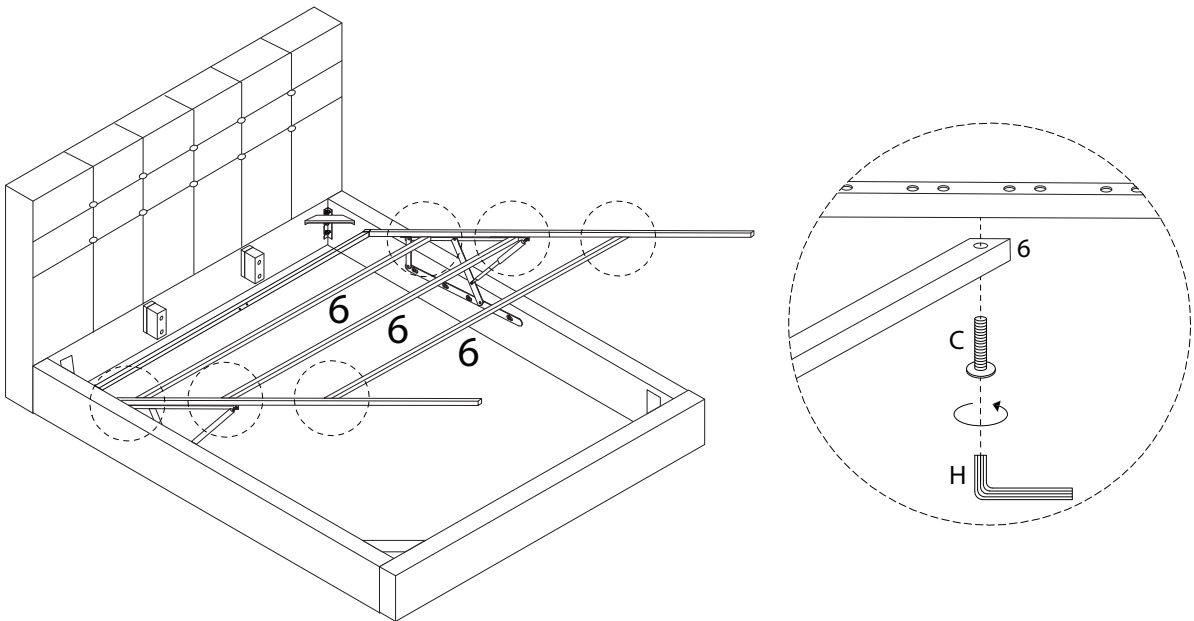
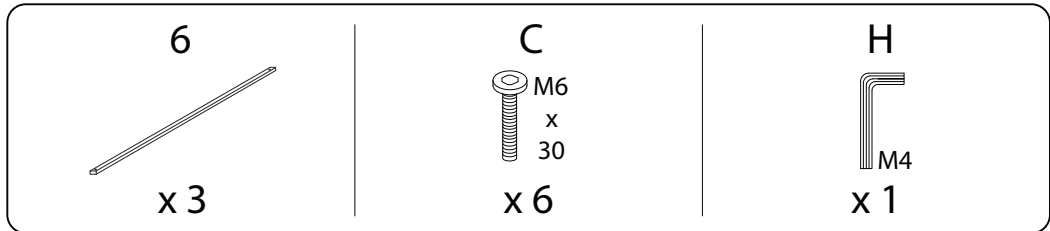
x 2



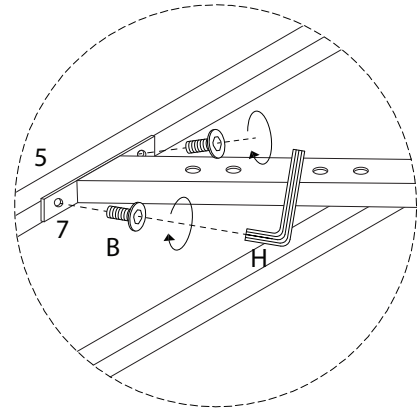
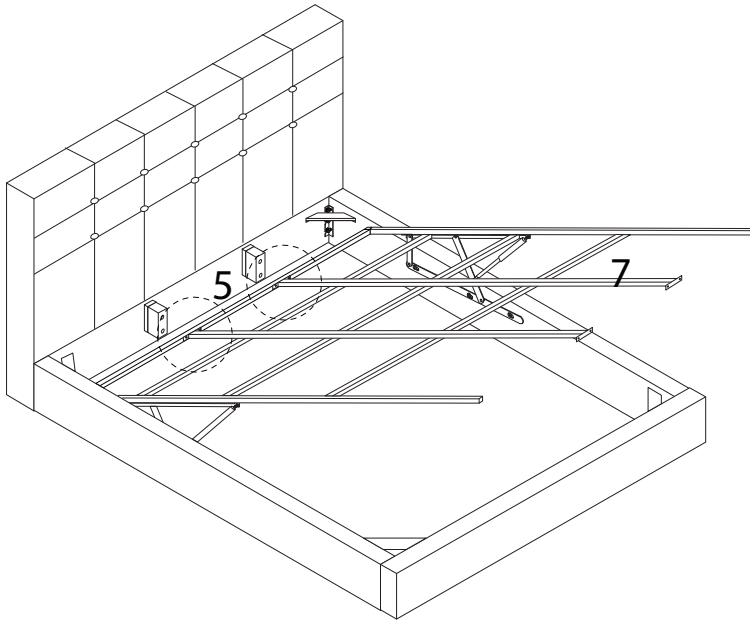
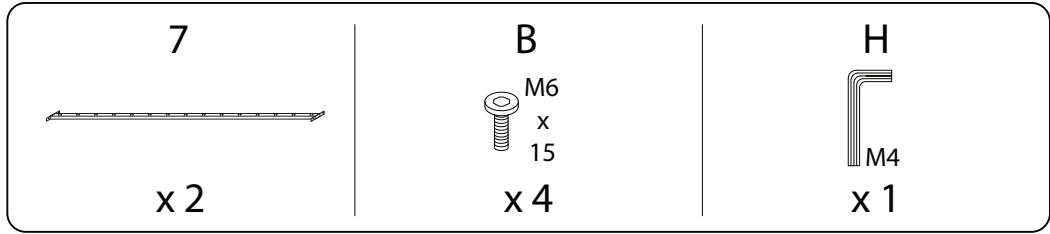
7



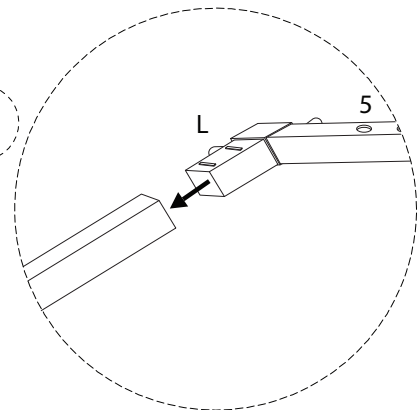
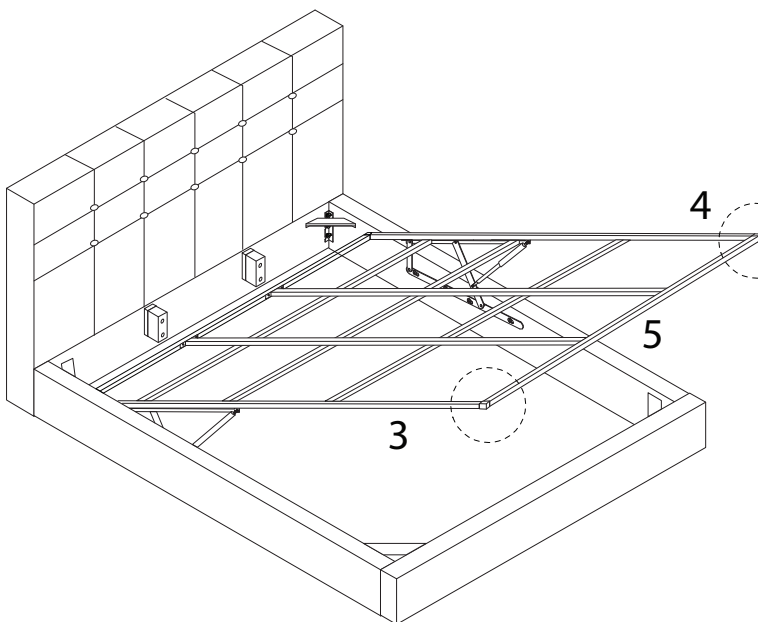
8



9

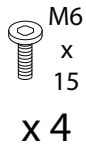


10

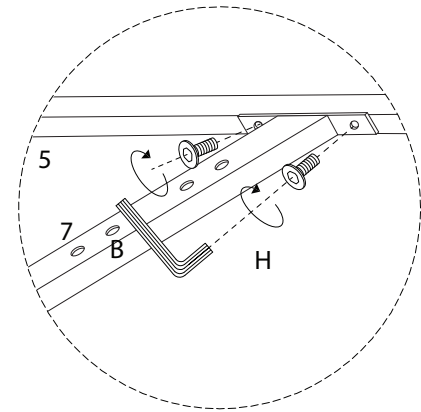
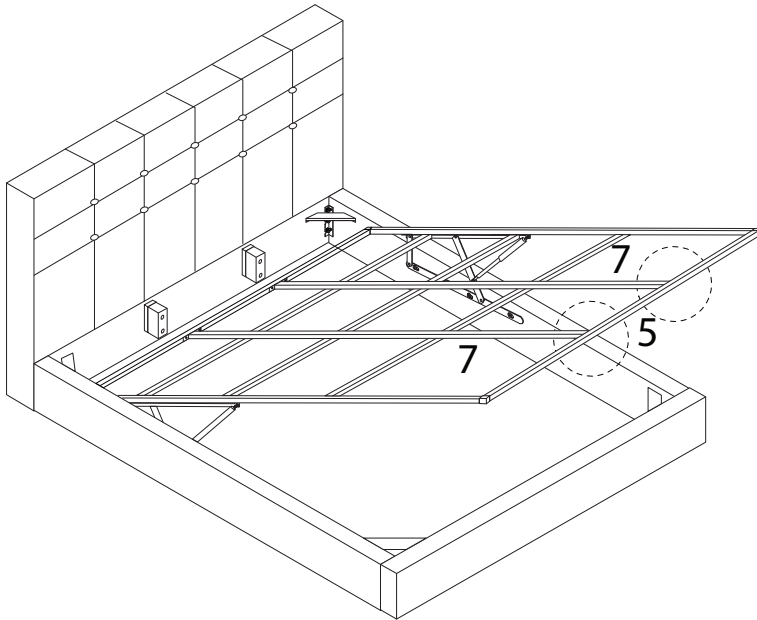


11

B

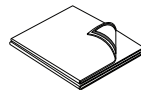


H

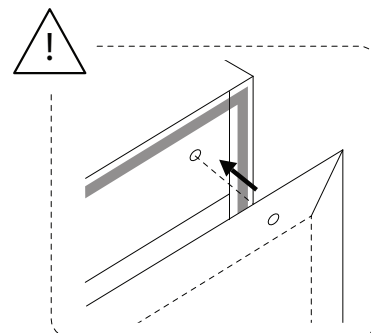
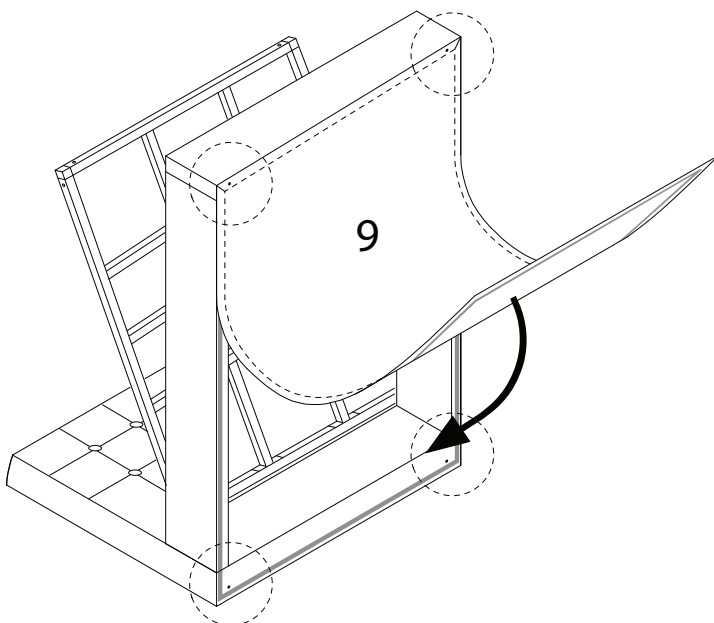


12

9



x 1

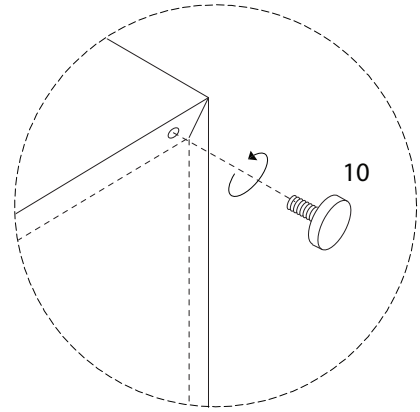
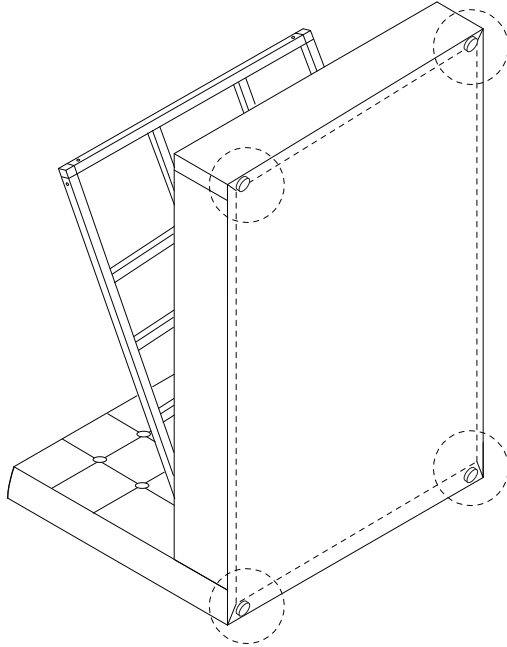


13

10

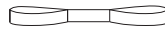


x 4

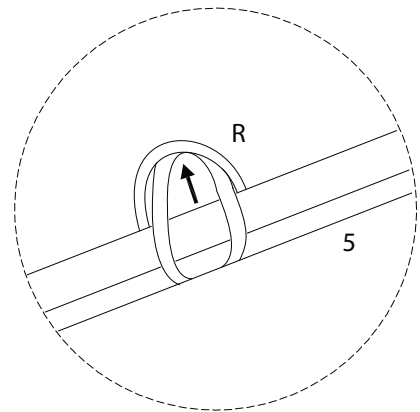
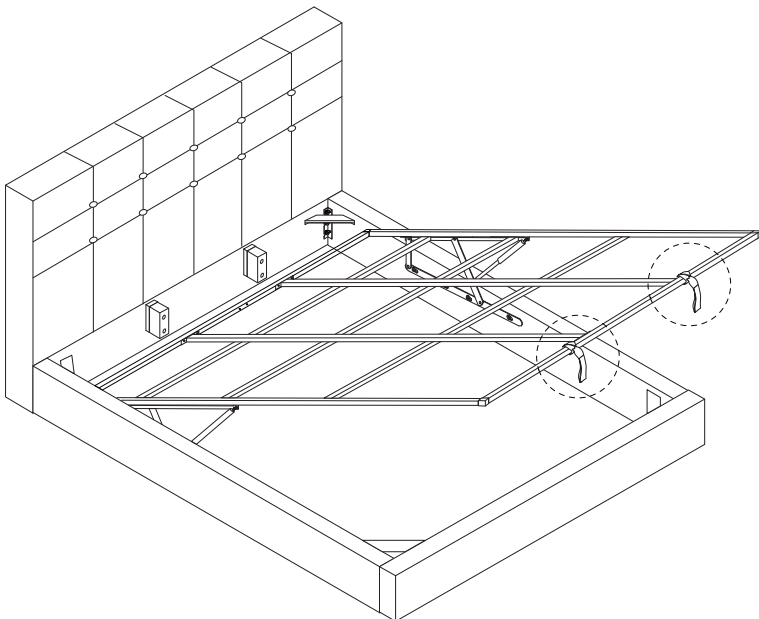


14

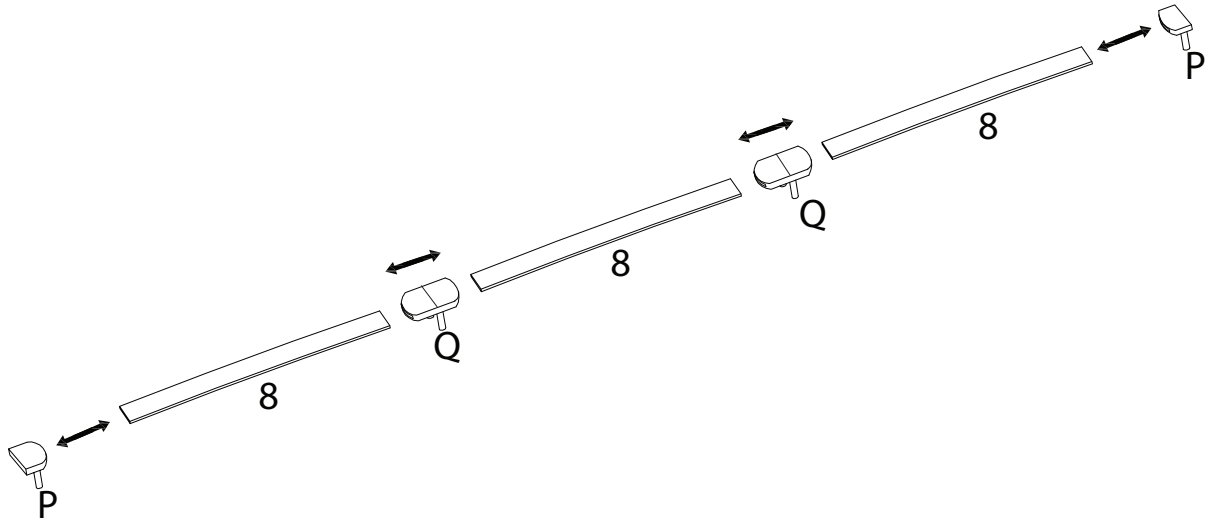
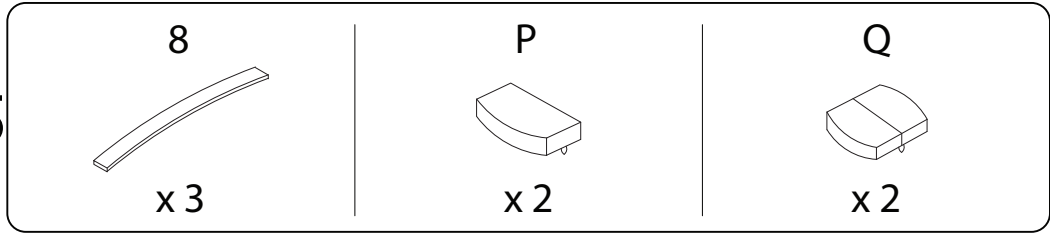
R



x 2



15 x 15



16

