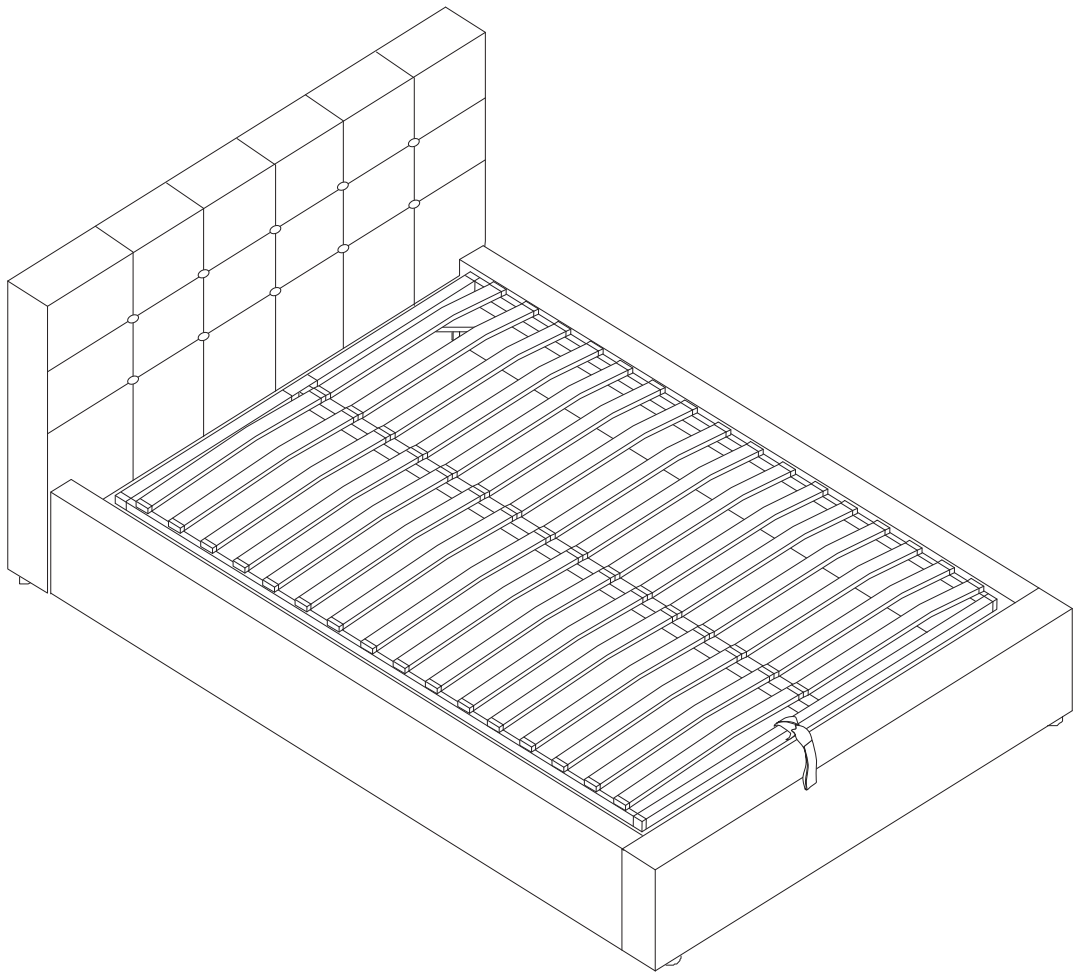
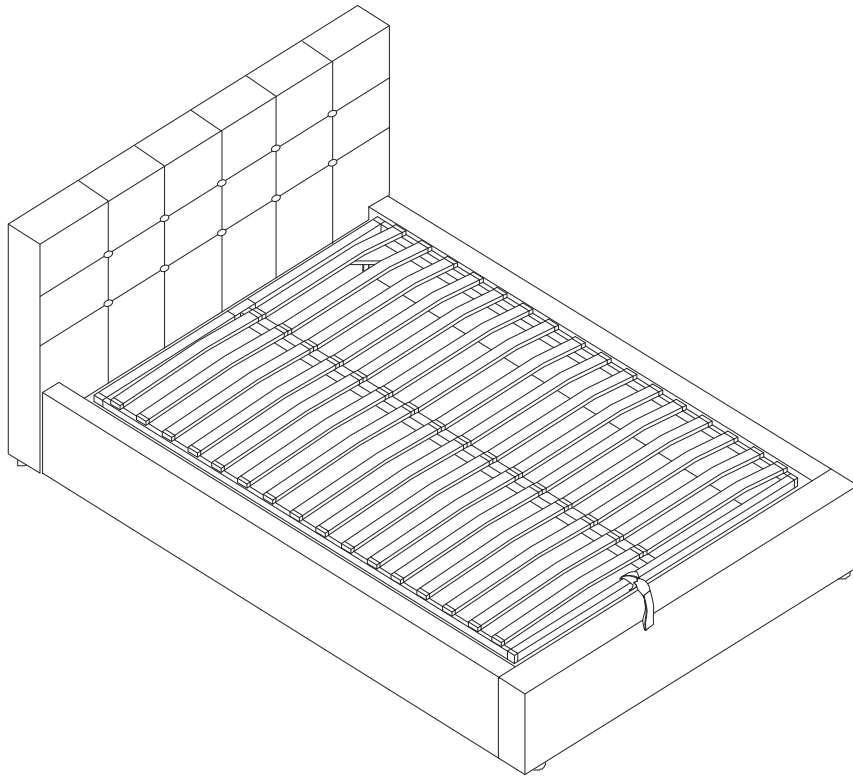


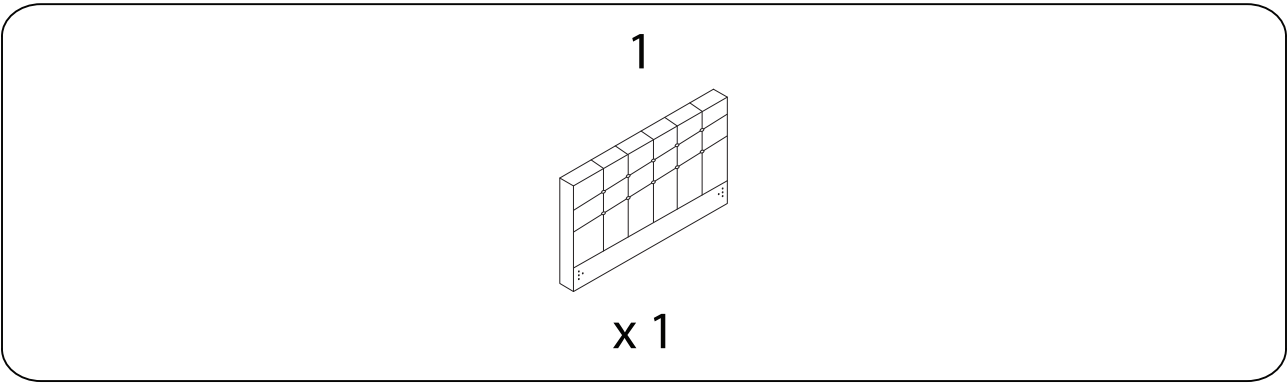
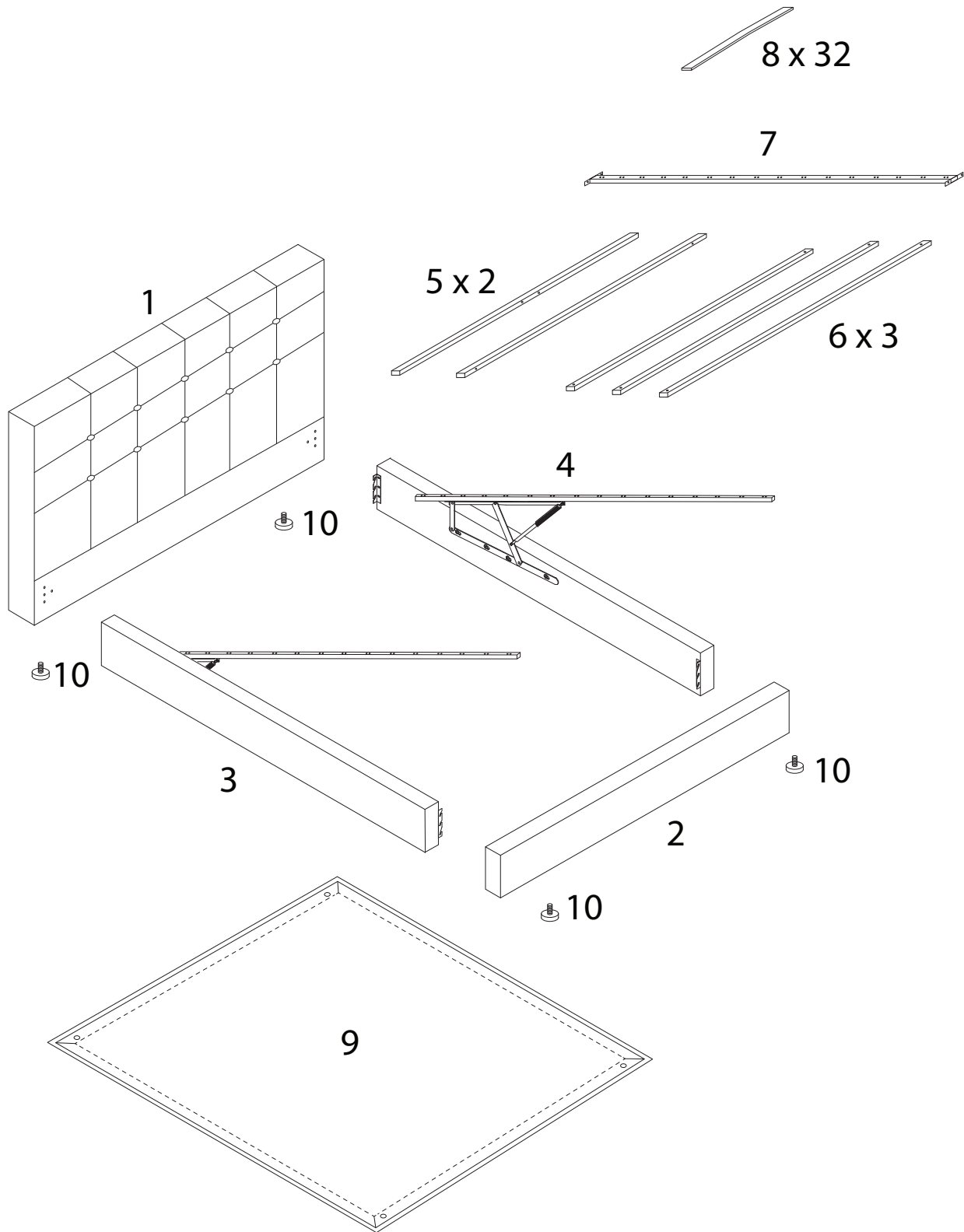
# LORIENT



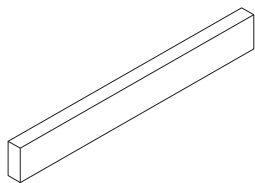


Assembly instructions for step 1/14:

- Tools:** A circle containing a screwdriver and a wrench, with a crossed-out power drill icon next to it.
- Warning:** A triangle with an exclamation mark.
- Time:** A clock icon with a circular arrow, labeled "60'".
- Personnel:** A stick figure icon labeled "2".
- Diagram:** A circle showing a mattress being placed on a slatted base, with a crossed-out diagram showing the mattress being placed on a flat surface.

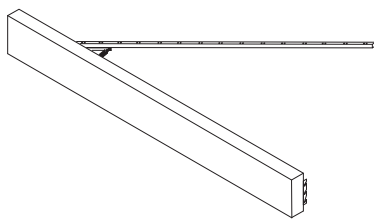


2



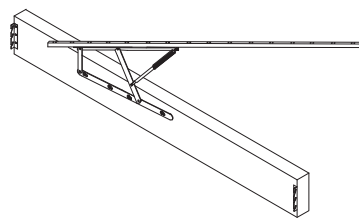
x 1

3



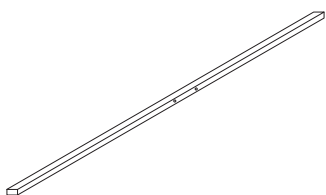
x 1

4



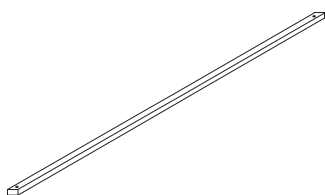
x 1

5



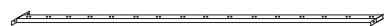
x 2

6



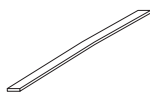
x 3

7



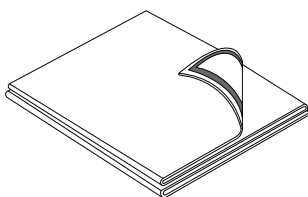
x 1

8



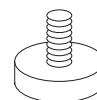
x 32

9

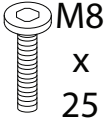
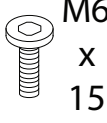
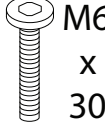
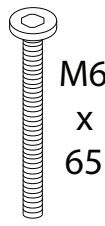
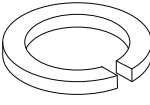
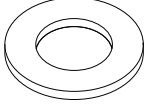
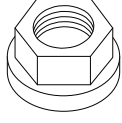

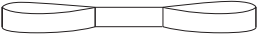
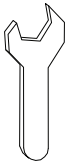
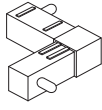

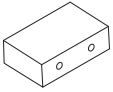
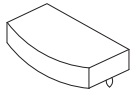
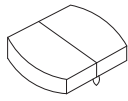
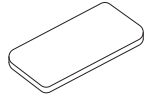


x 1

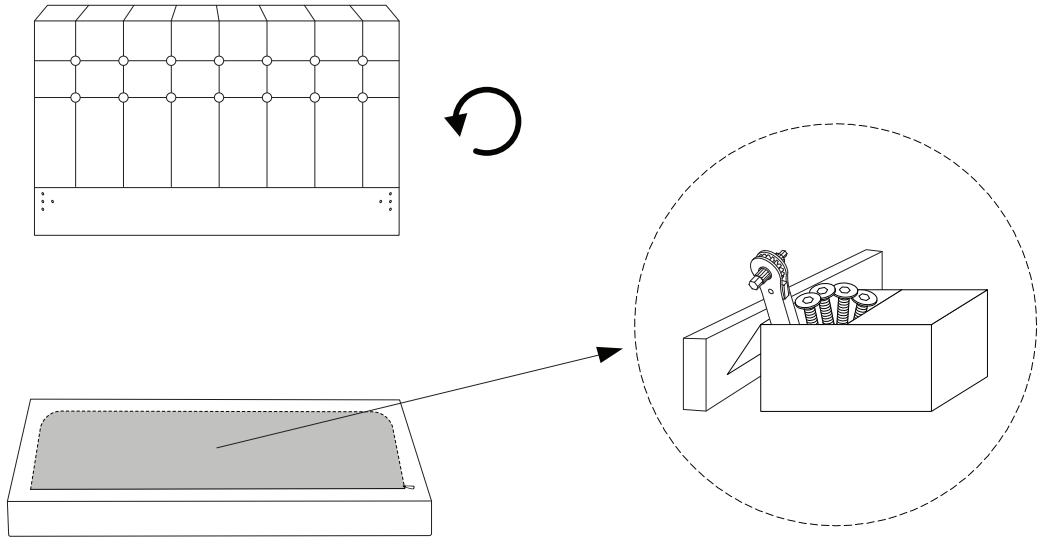
10



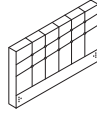
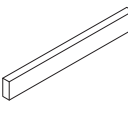

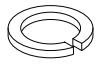


x 4

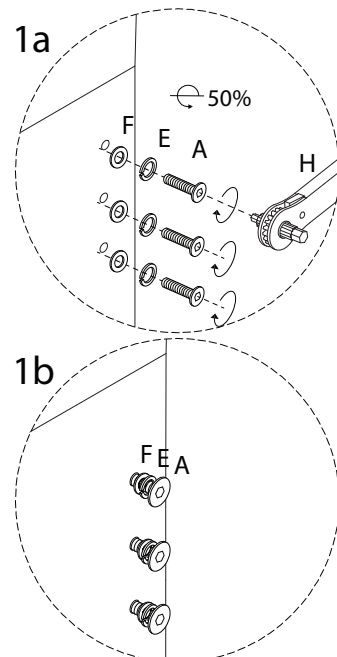
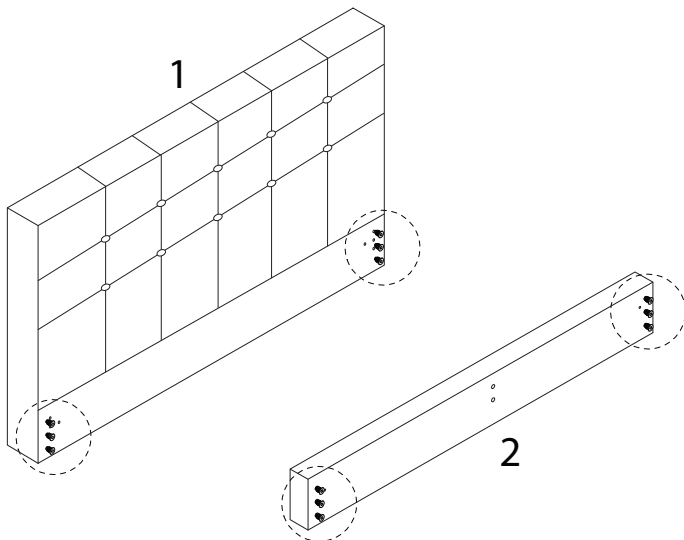
<p>A</p>  <p>M8 x 25</p> <p>x 12</p>	<p>B</p>  <p>M6 x 15</p> <p>x 12</p>	<p>C</p>  <p>M6 x 30</p> <p>x 6</p>	<p>D</p>  <p>M6 x 65</p> <p>x 2</p>
<p>E</p>  <p>x 12</p>	<p>F</p>  <p>x 12</p>	<p>G</p>  <p>x 2</p>	<p>H</p>  <p>x 1</p>
<p>J</p>  <p>x 1</p>	<p>K</p>  <p>x 1</p>	<p>L</p>  <p>x 4</p>	<p>M</p>  <p>x 4</p>
<p>N</p>  <p>x 1</p>	<p>P</p>  <p>x 32</p>	<p>Q</p>  <p>x 16</p>	<p>S</p>  <p>x 3</p>

!

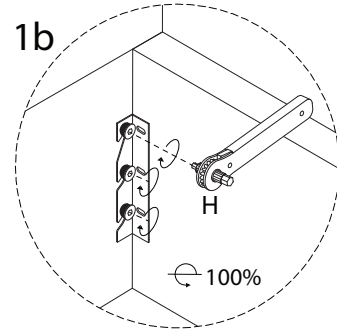
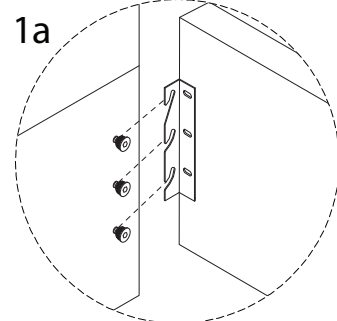
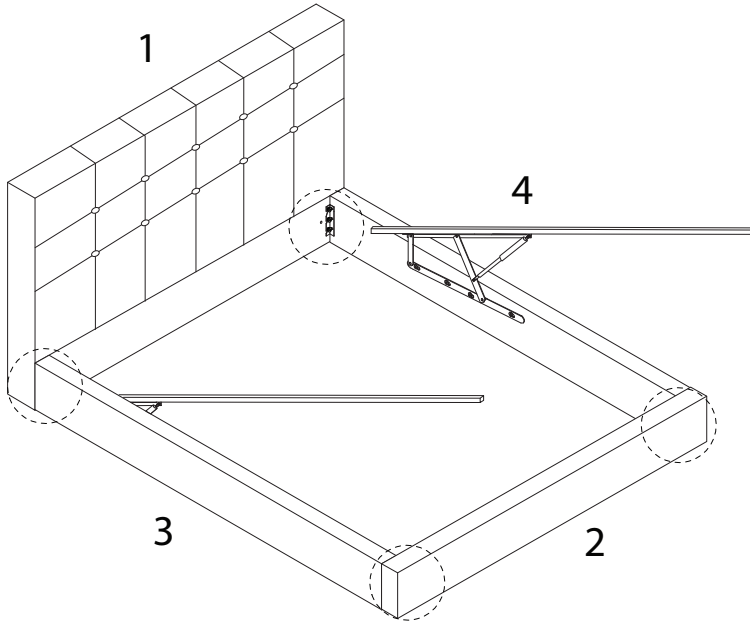
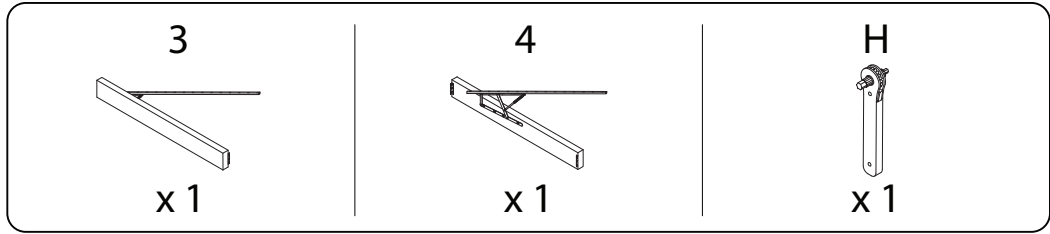


1

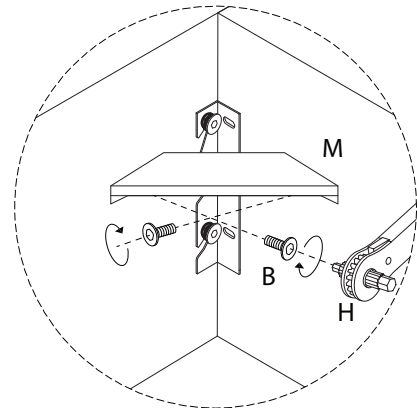
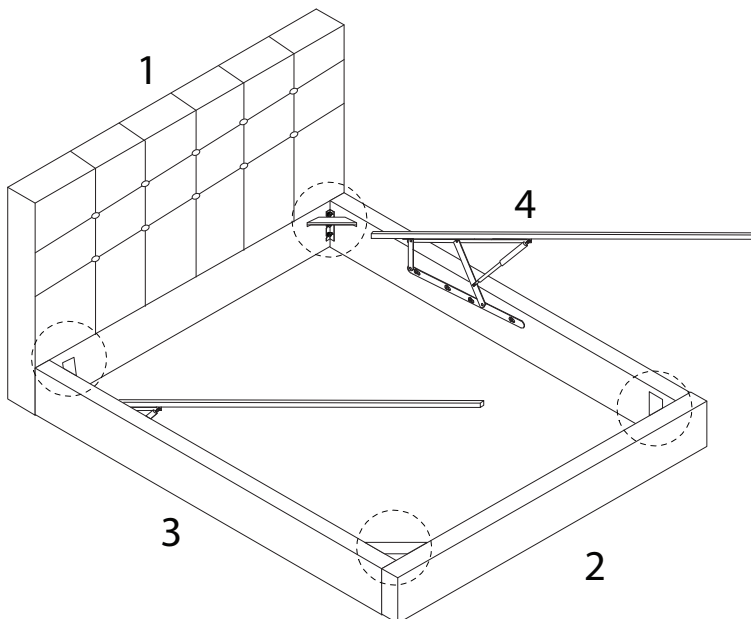
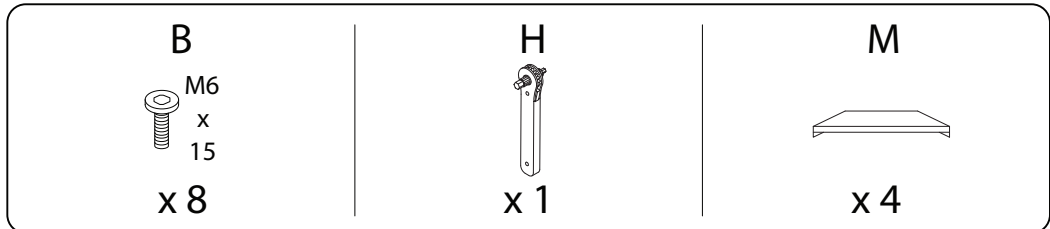
<b>1</b>  x 1	<b>2</b>  x 1	<b>A</b>  M8 x 25 x 12	<b>E</b>  x 12	<b>F</b>  x 12	<b>H</b>  x 1
--	--	--	--	---	--



2



3

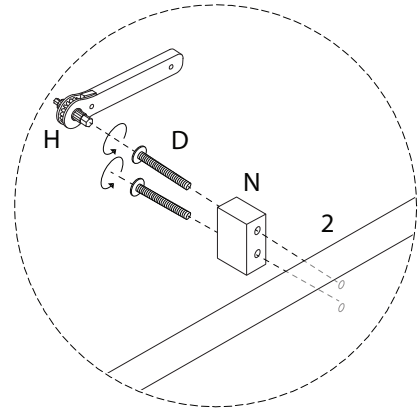
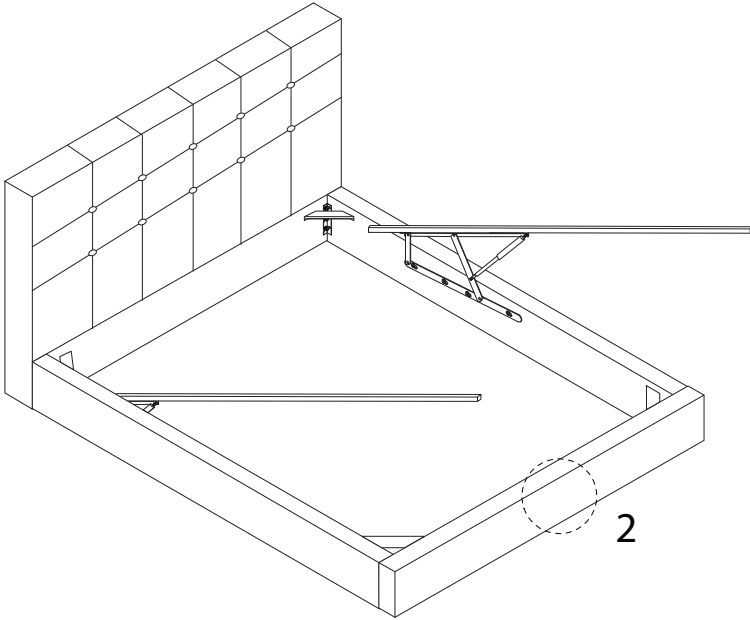


4

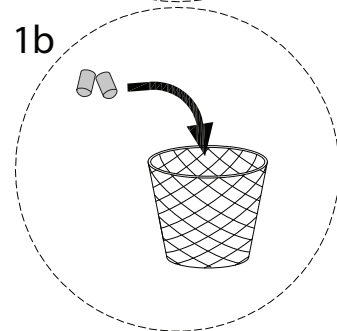
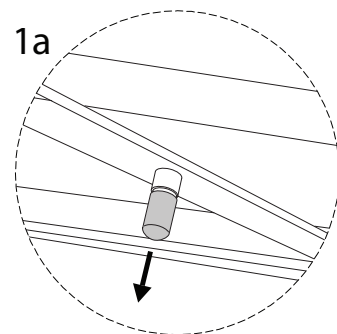
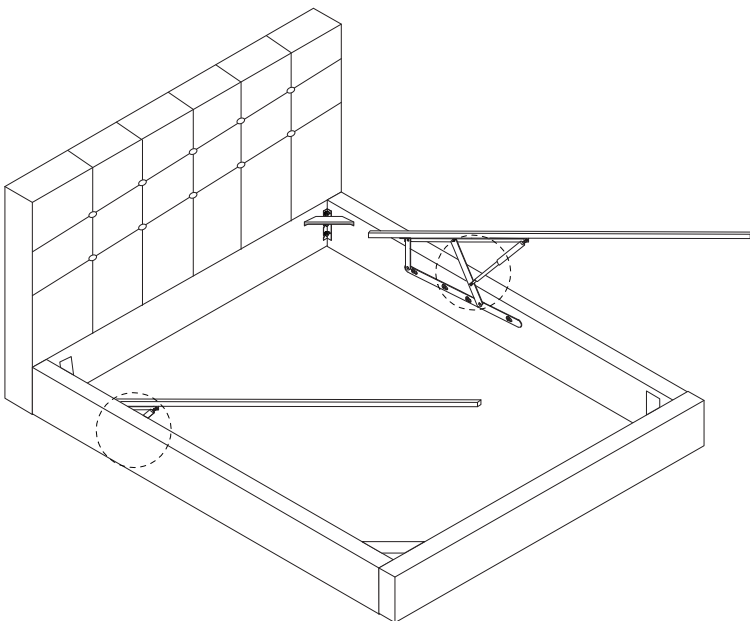
D  
M6  
x  
65  
x 2

H  
x 1

N  
x 1



!





5

G

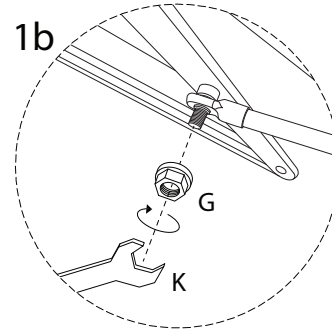
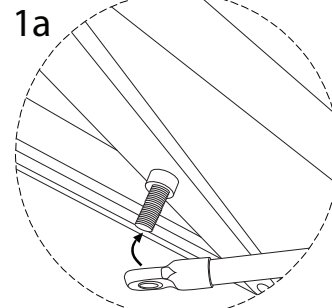
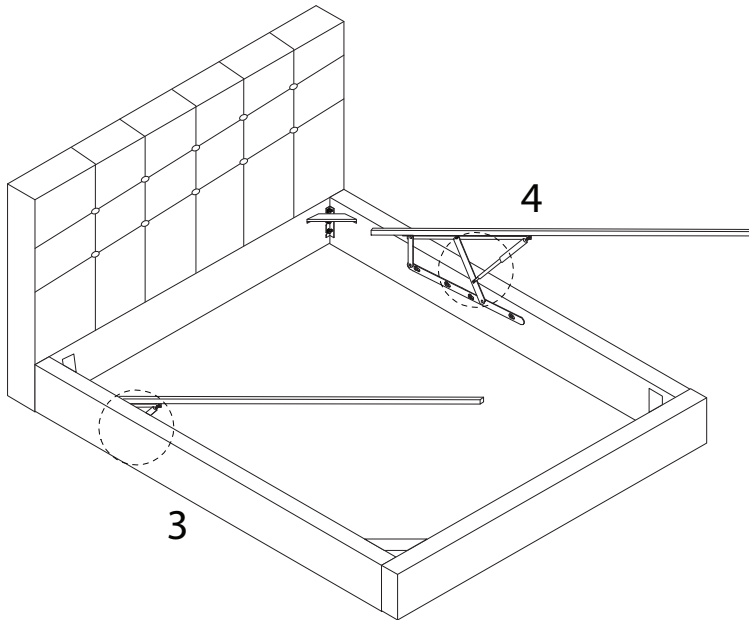


x 2

K

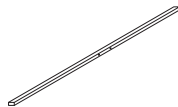


x 1



6 x 2

5

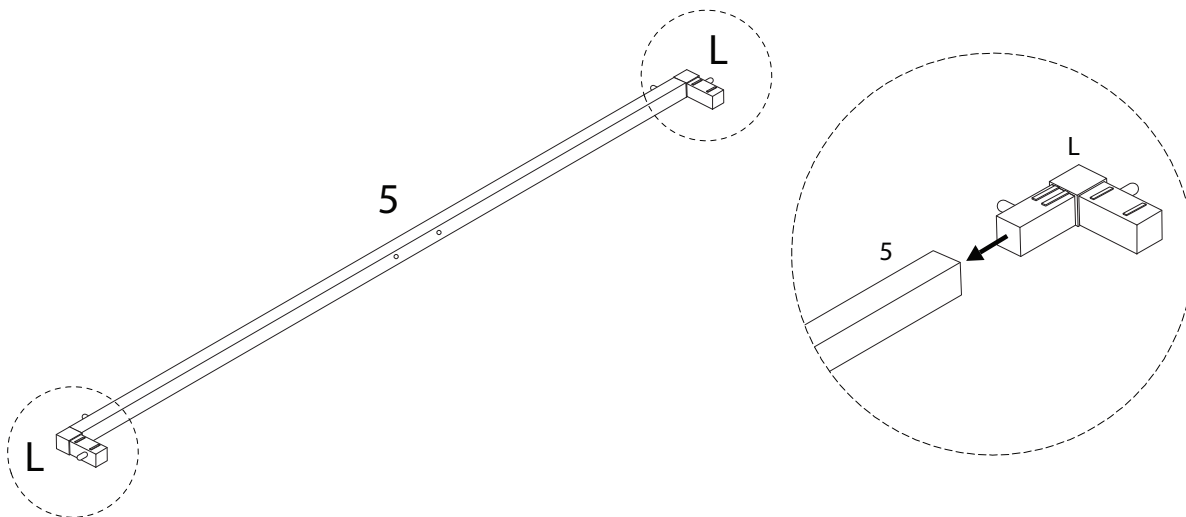


x 1

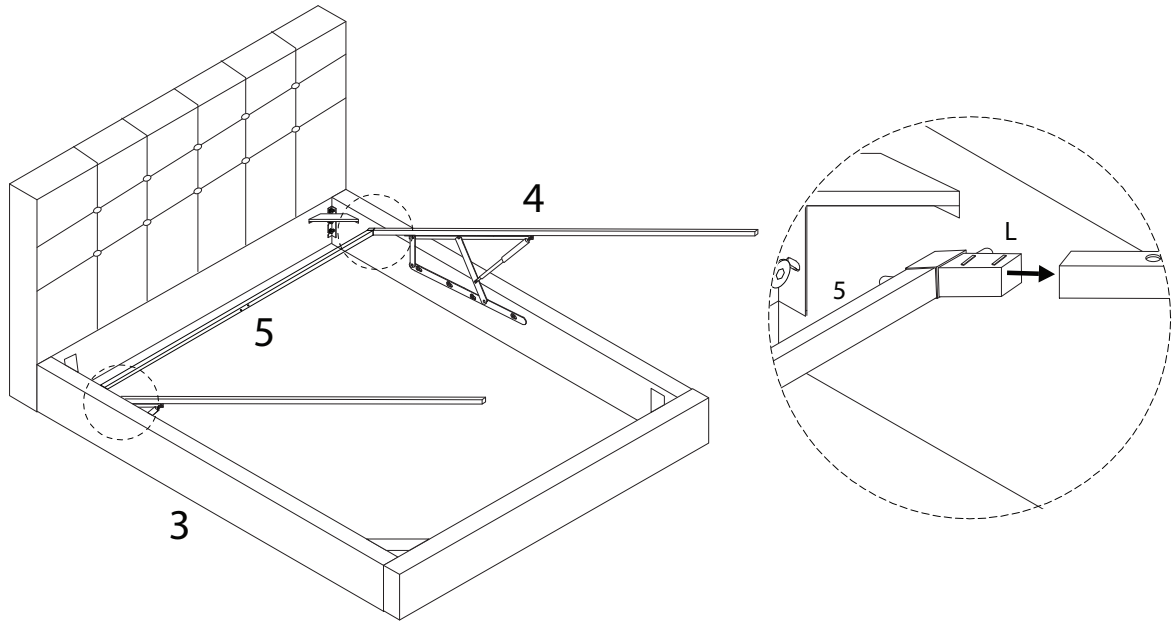
L



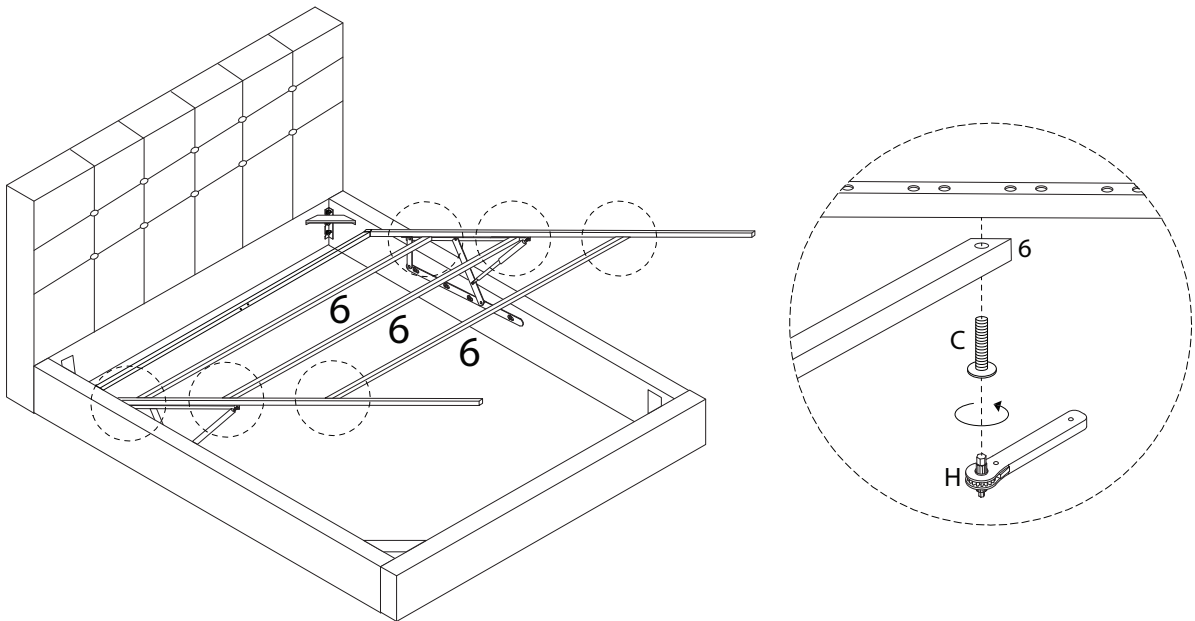
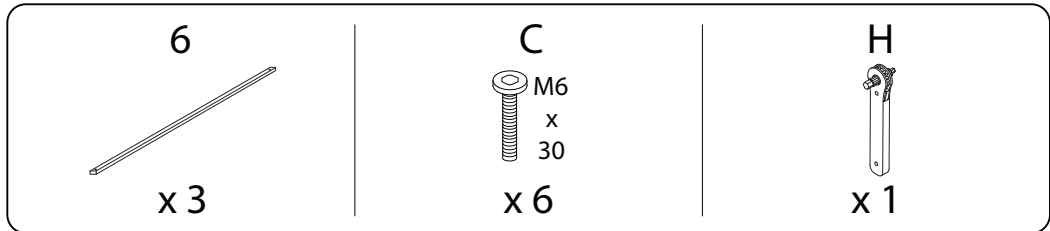
x 2



7



8

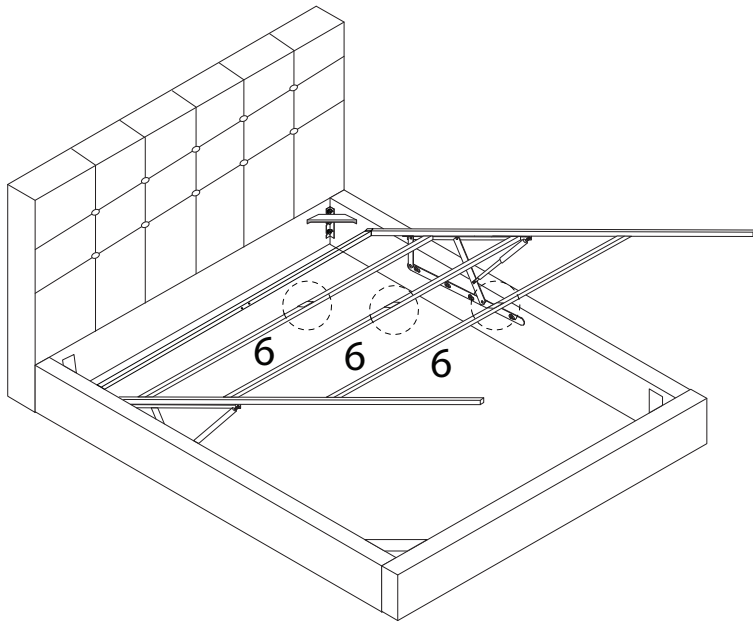


9

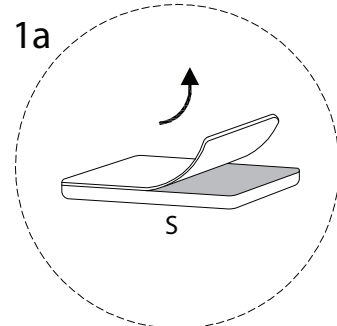
S



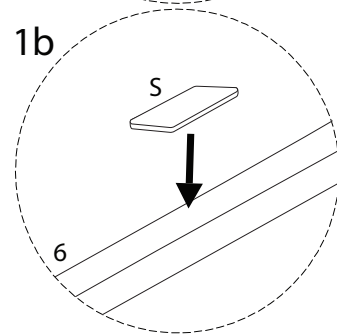
x 3



1a



1b



10

7



x 1

8

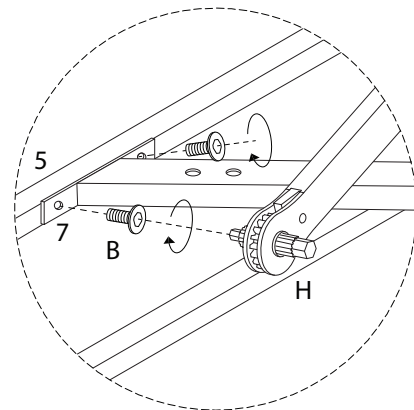
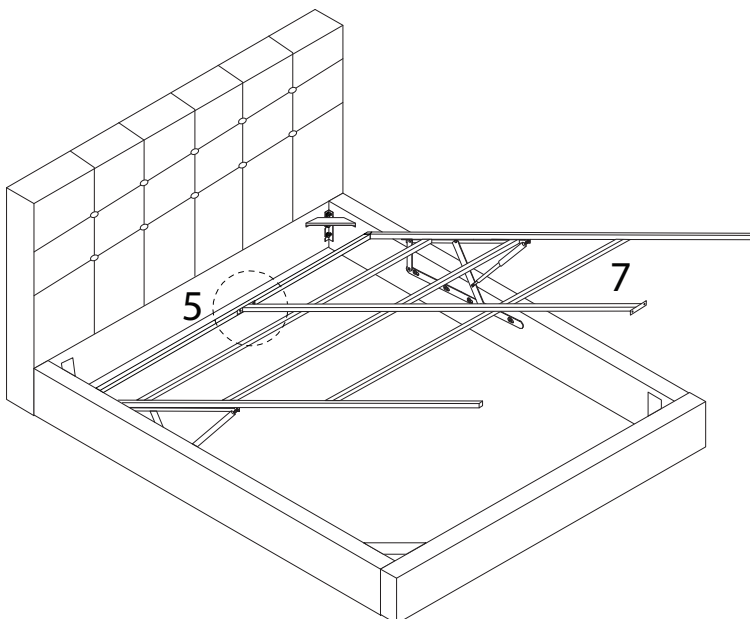


x 2

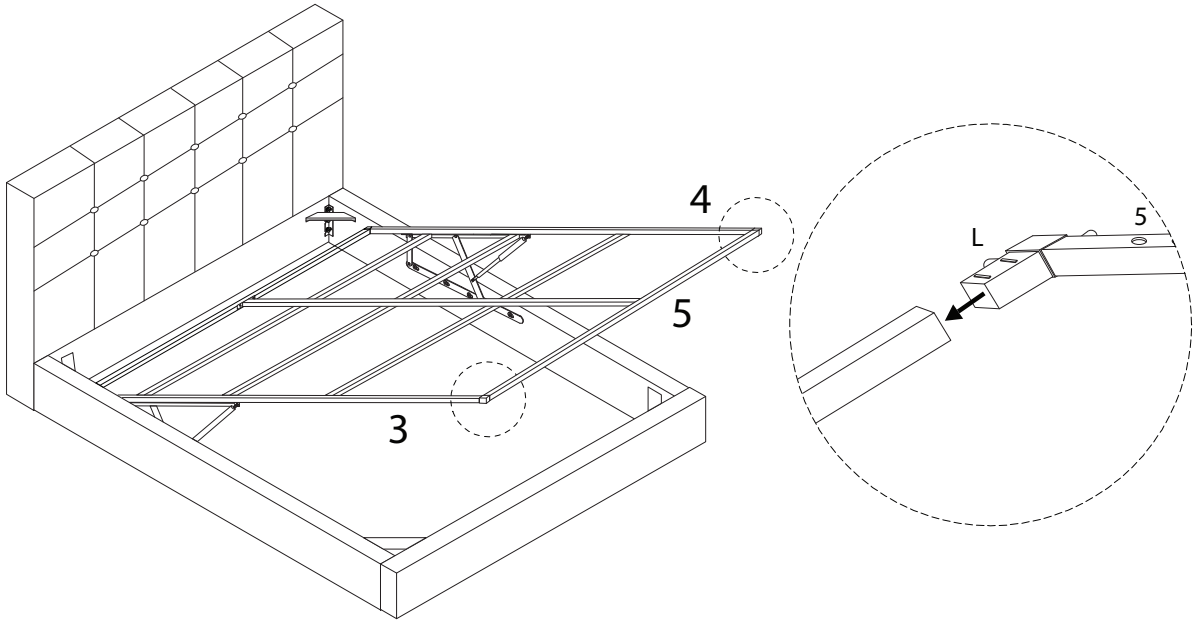
H



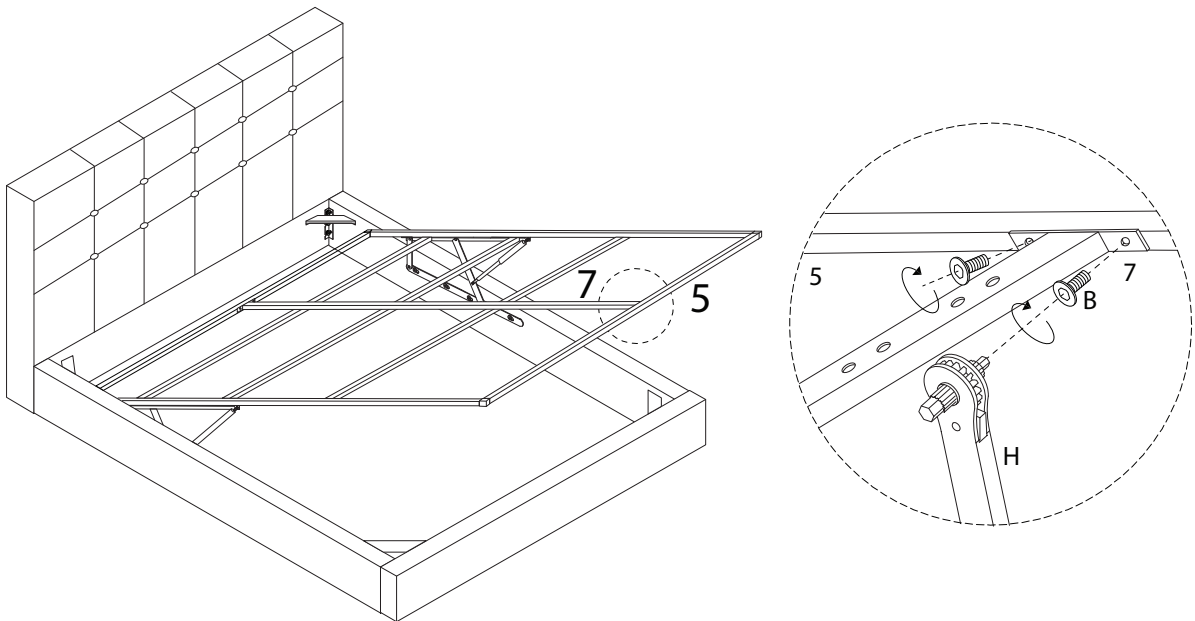
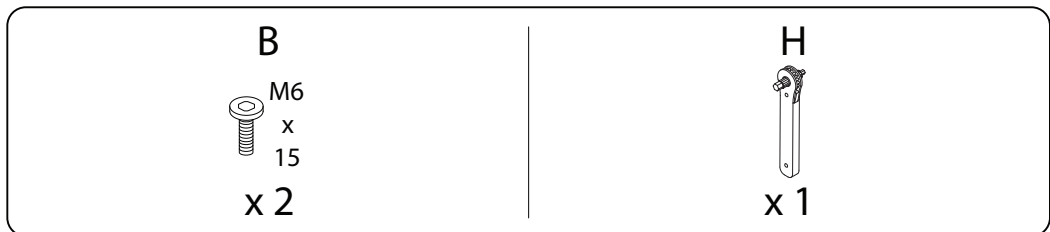
x 1



11

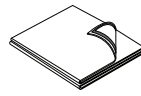


12

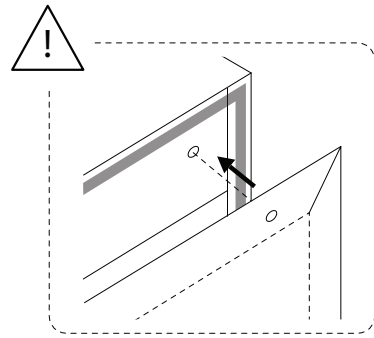
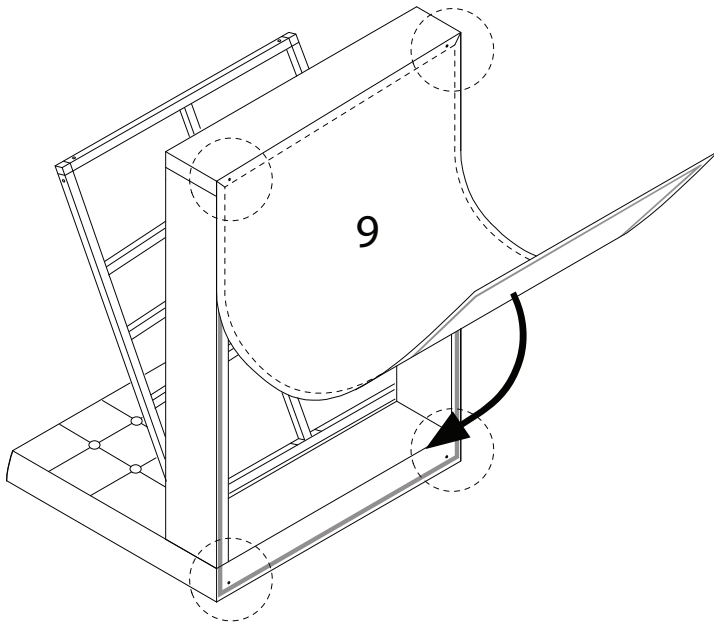


13

9



x 1

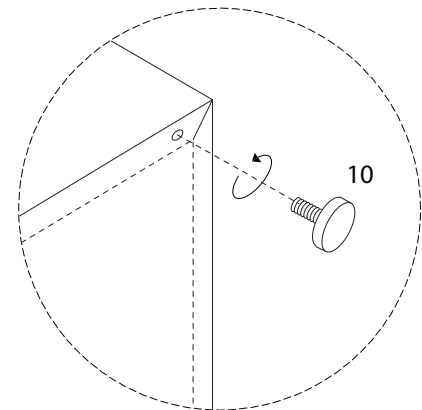
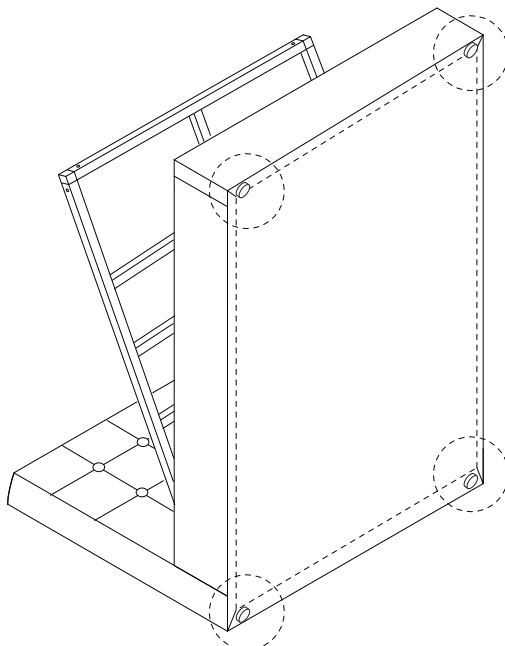


14

10

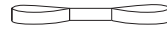


x 4

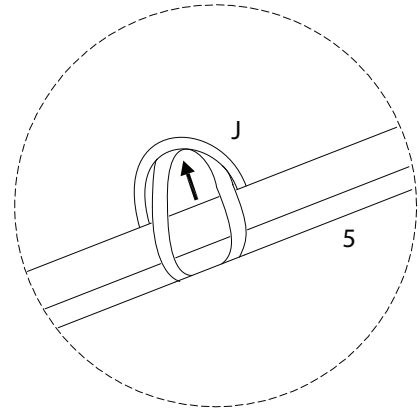
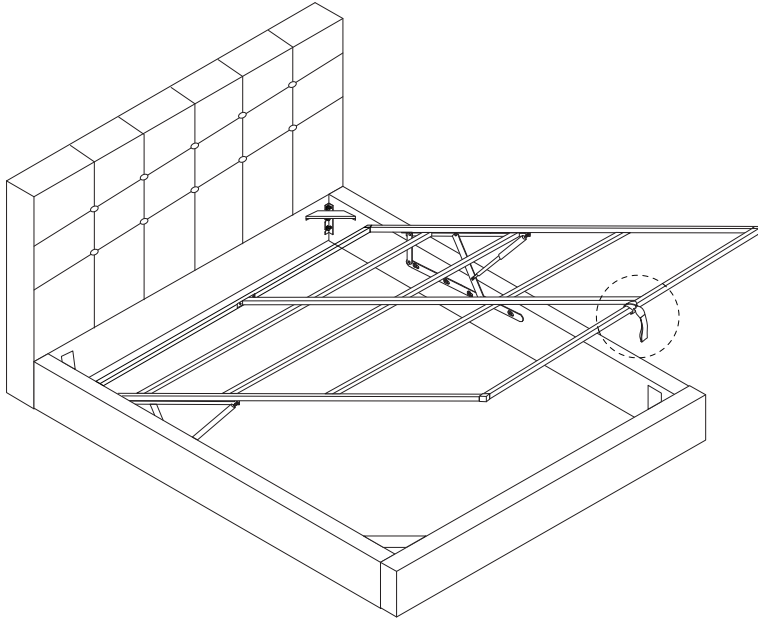


15

J

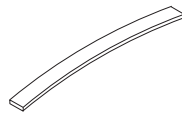


x1



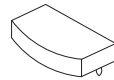
16 x 16

8



x2

P

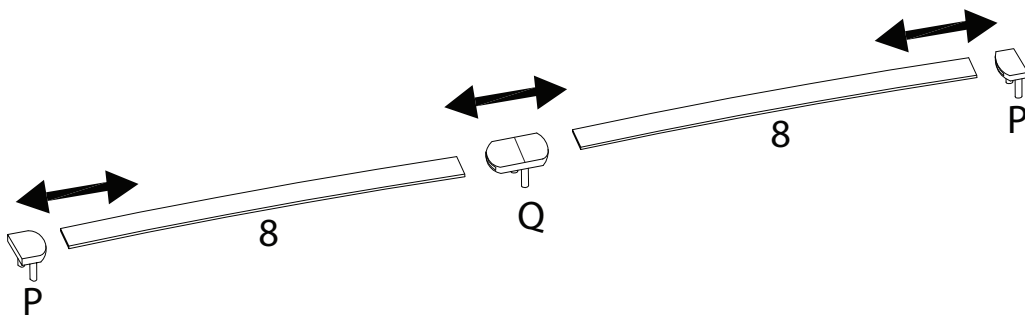


x2

Q



x1



17

