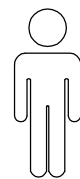
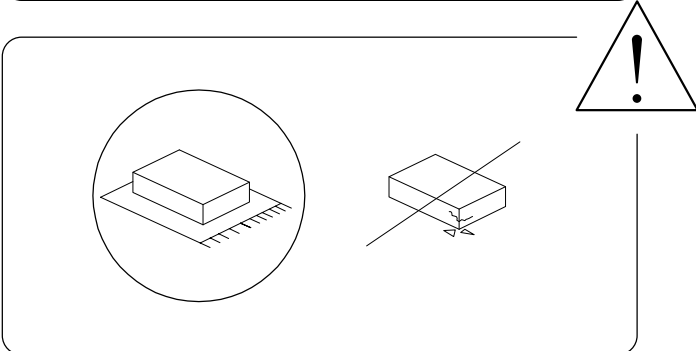
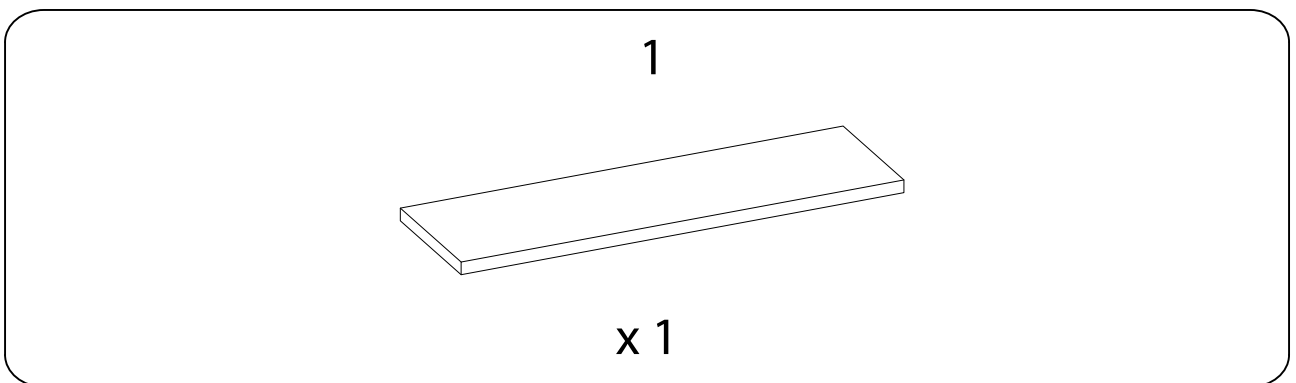
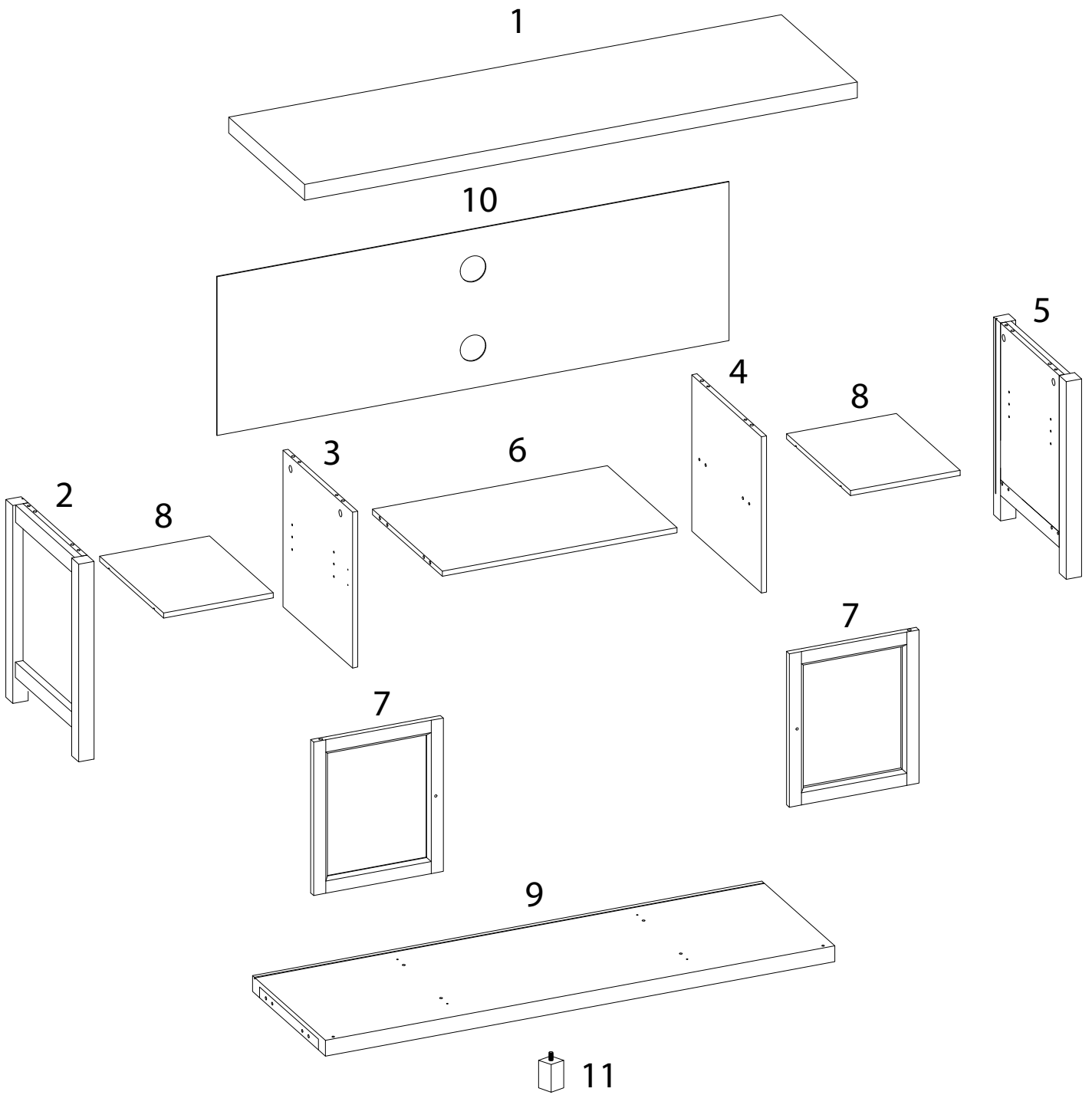


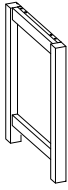
60'



2



2



x 1

3



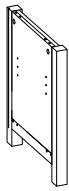
x 1

4



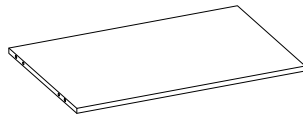
x 1

5



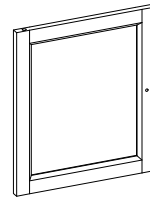
x 1

6



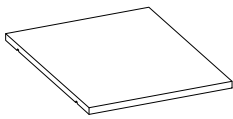
x 1

7



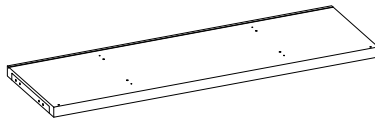
x 2

8



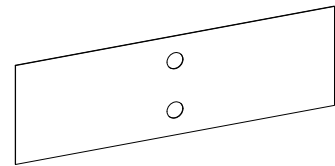
x 2

9



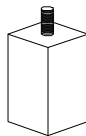
x 1

10



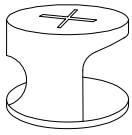
x 1

11



x 1

A



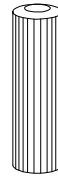
x 12

B



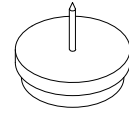
x 12

C



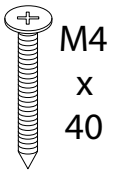
x 20

D



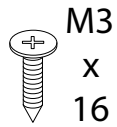
x 5

E



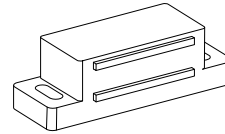
x 4

F



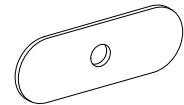
x 10

G



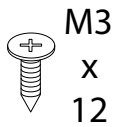
x 2

H



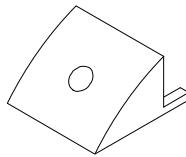
x 2

I



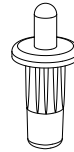
x 2

J



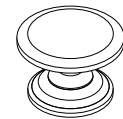
x 10

K



x 4

L



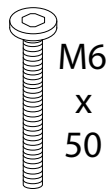
x 2

M



x 2

N



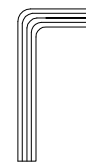
x 4

O



x 8

P



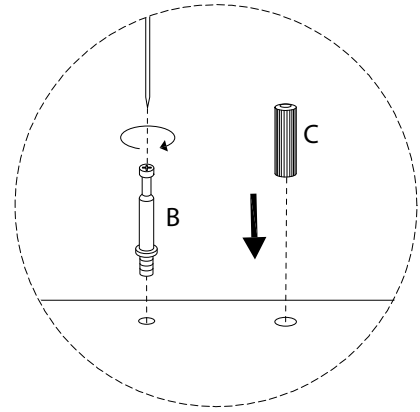
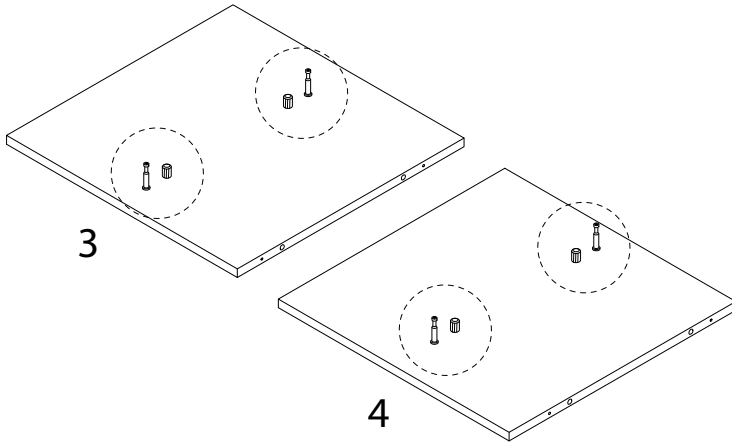
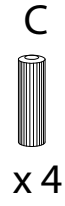
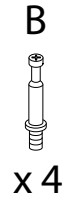
x 1

Q

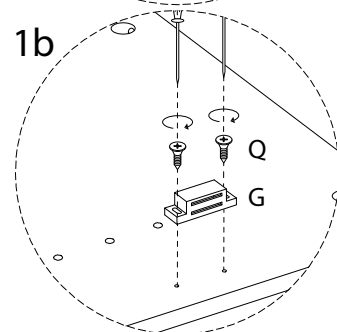
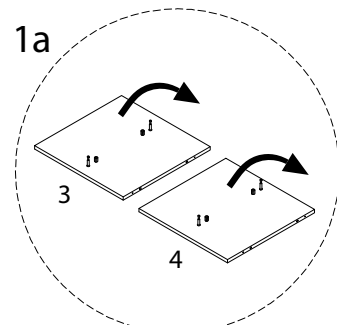
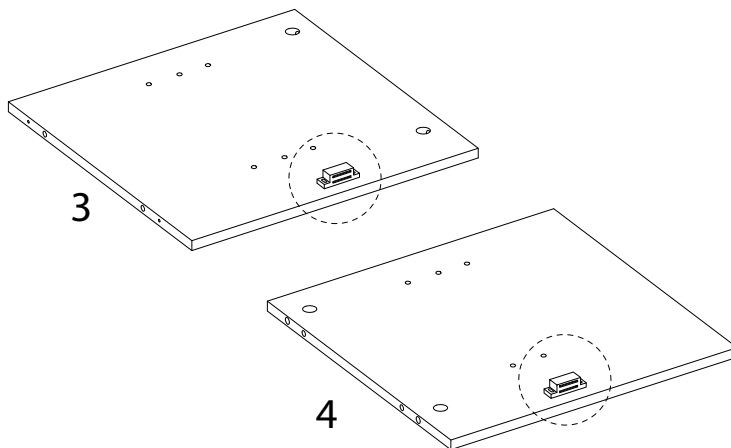
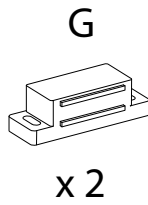


x 4

1

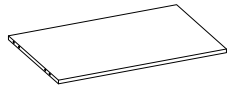


2



3

6

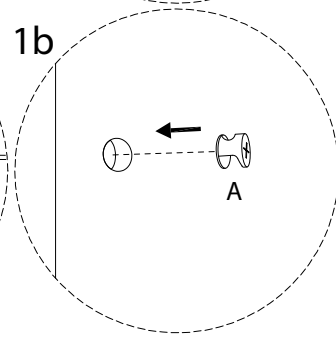
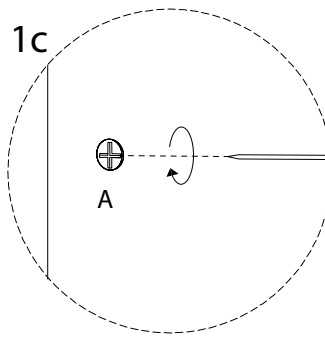
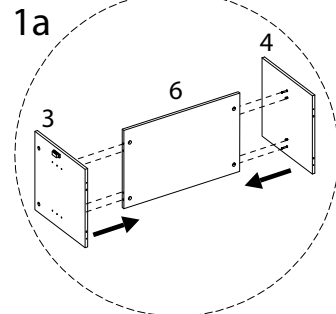
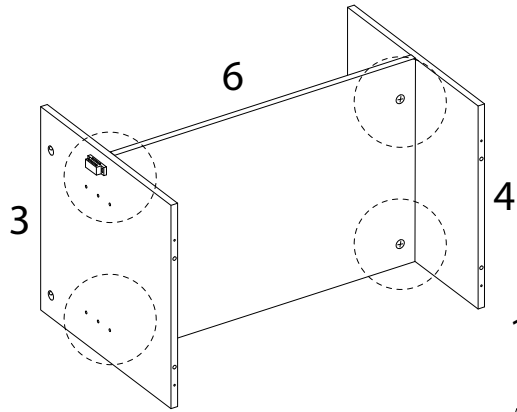


x 1

A



x 4

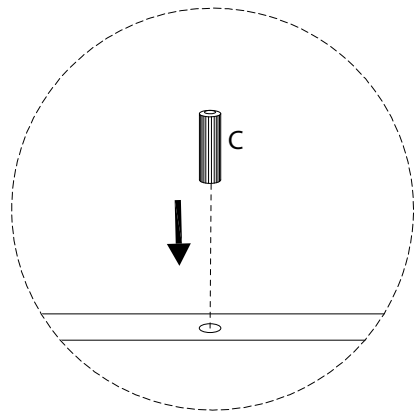
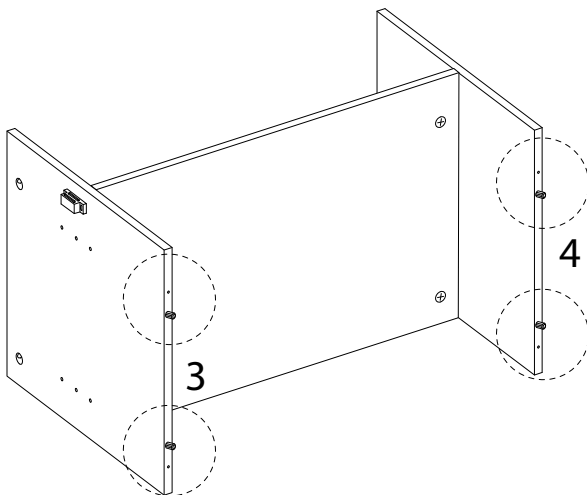


4

C

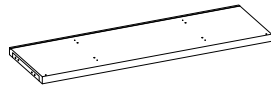


x 4



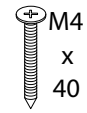
5

9

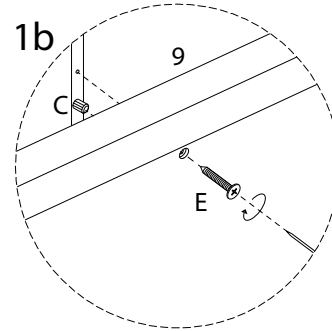
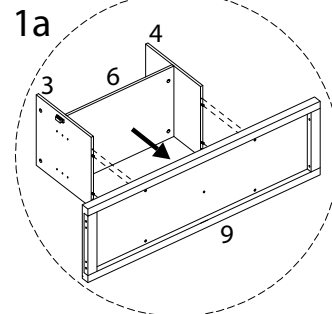
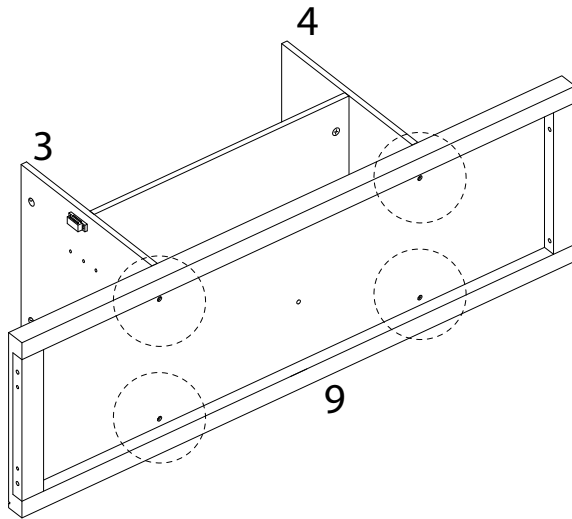


x 1

E



x 4

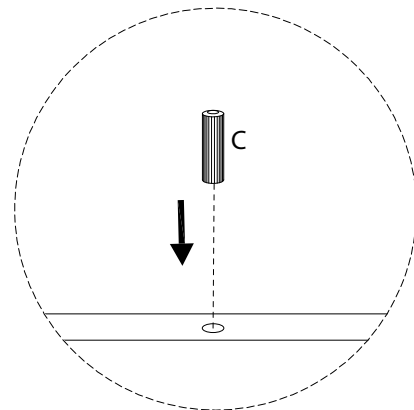
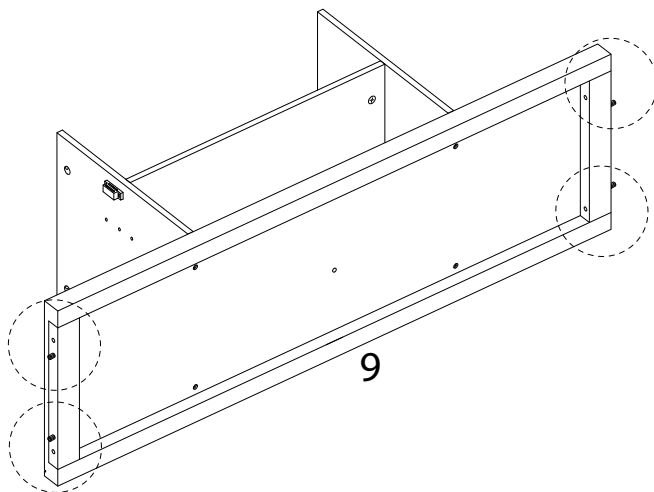


6

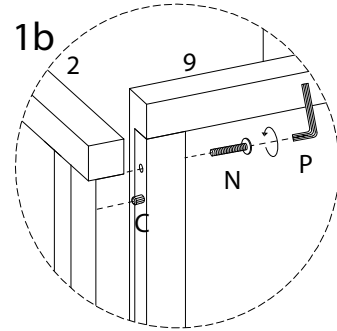
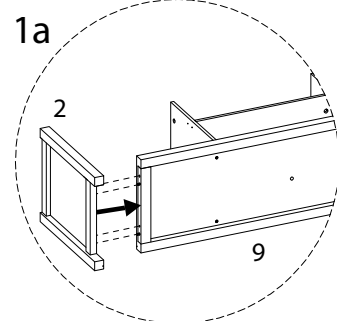
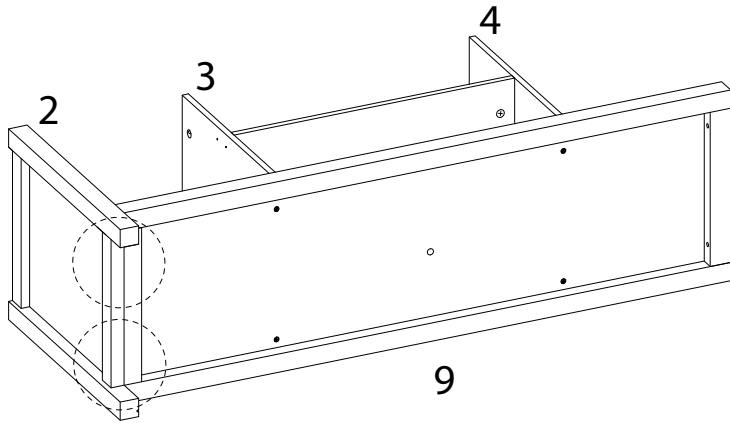
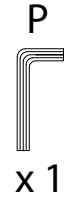
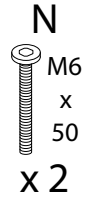
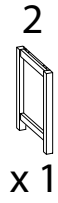
C



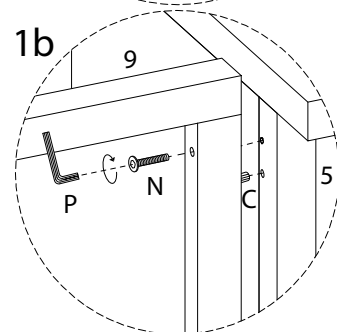
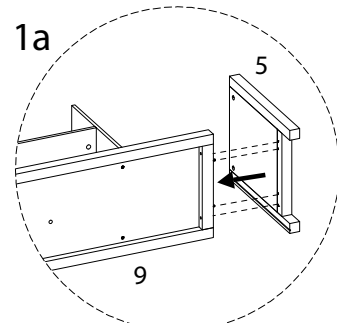
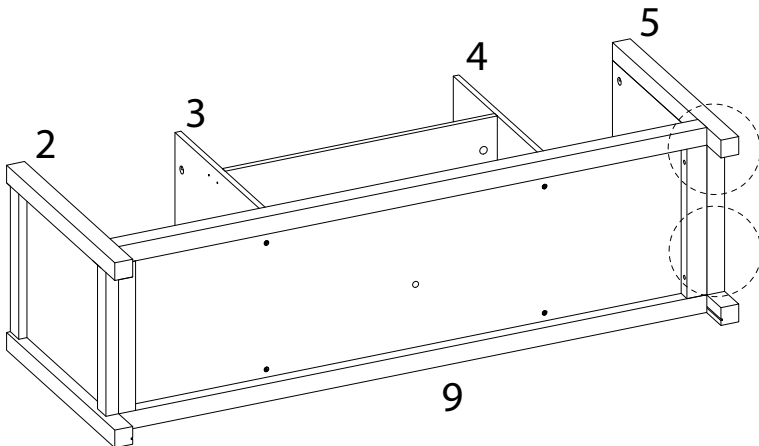
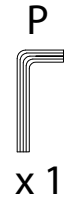
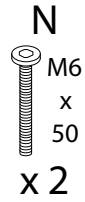
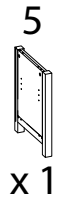
x 4



7

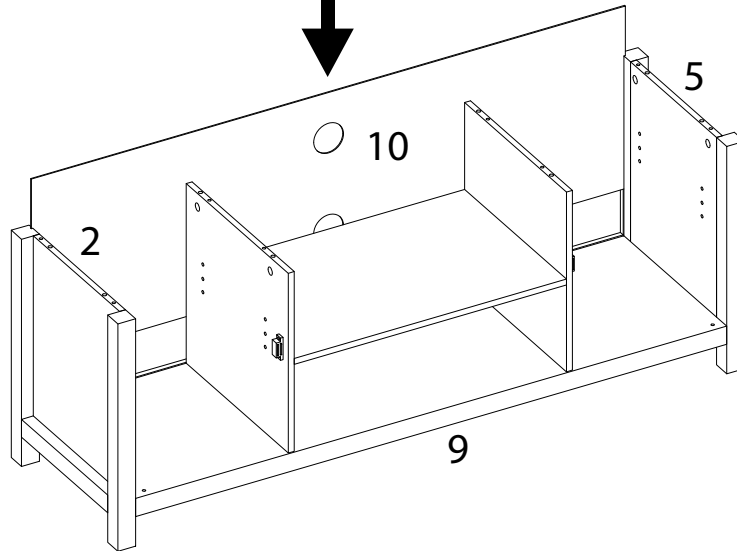
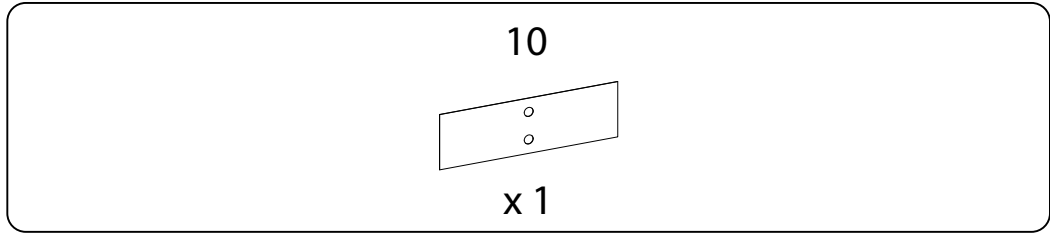


8

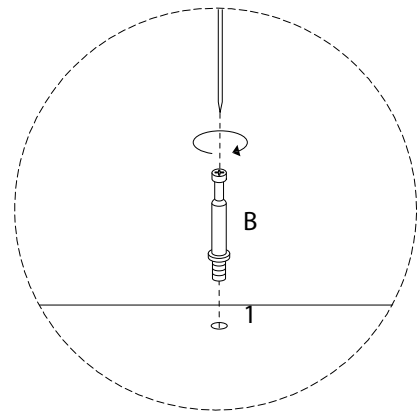
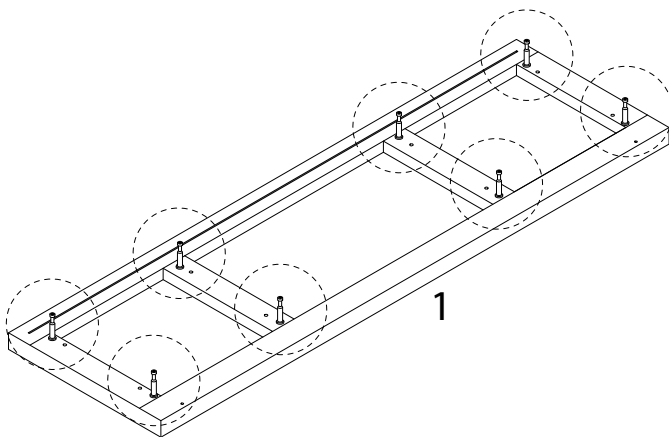
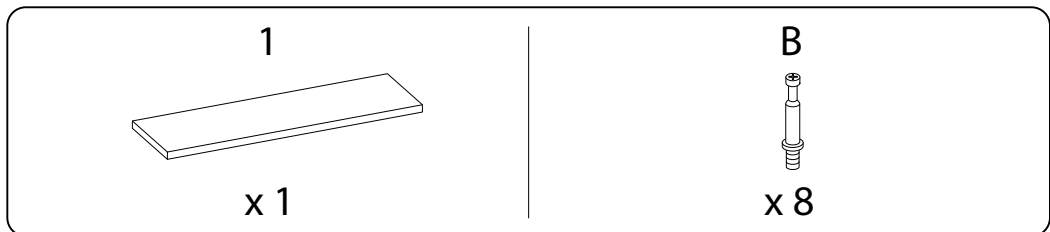




9



10

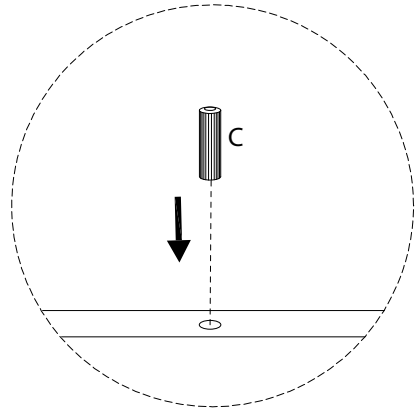
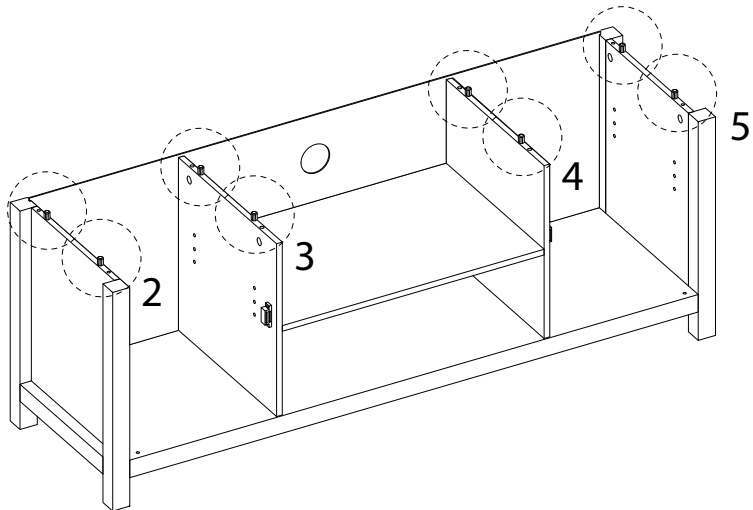


11

C

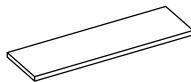


x 8

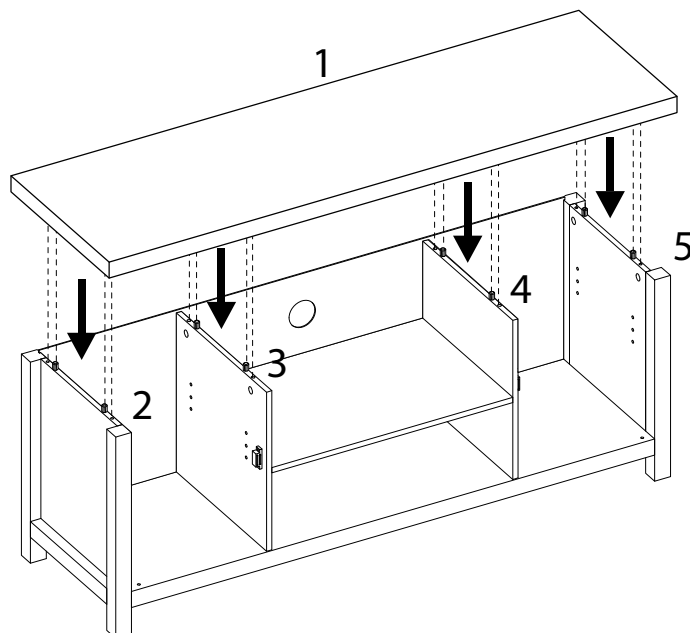


12

1



x 1

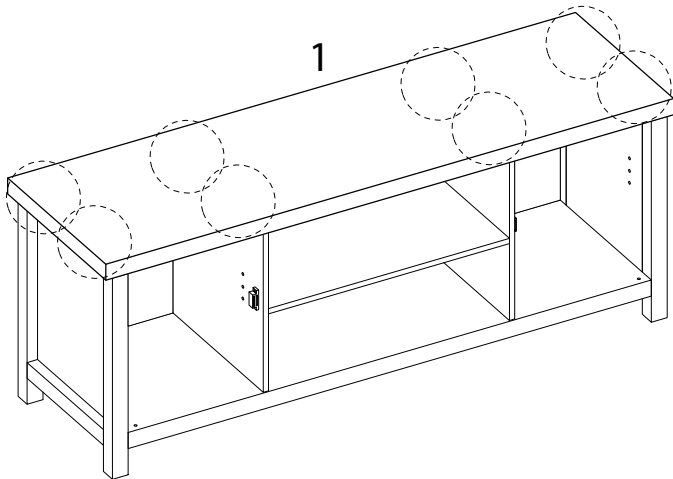


13

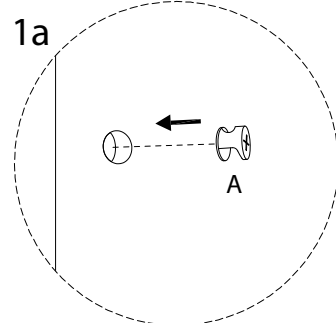
A



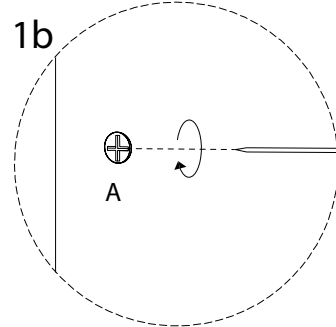
x 8



1a



1b

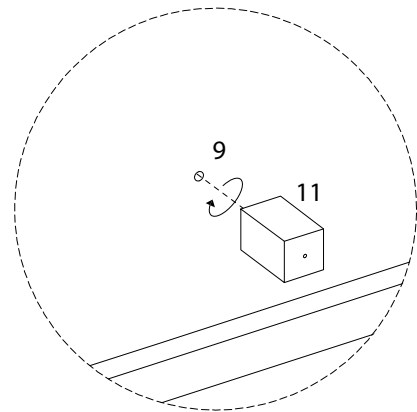
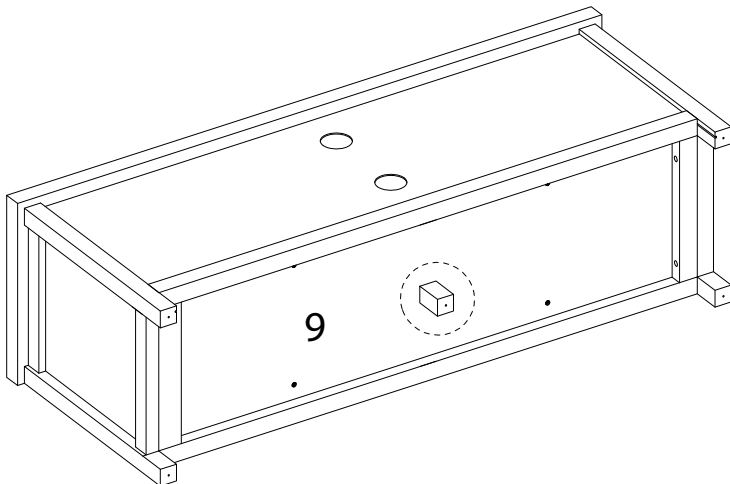


14

11



x 1

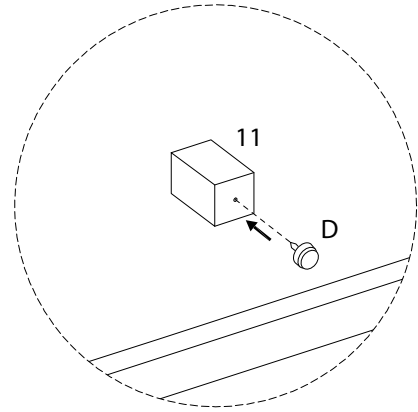
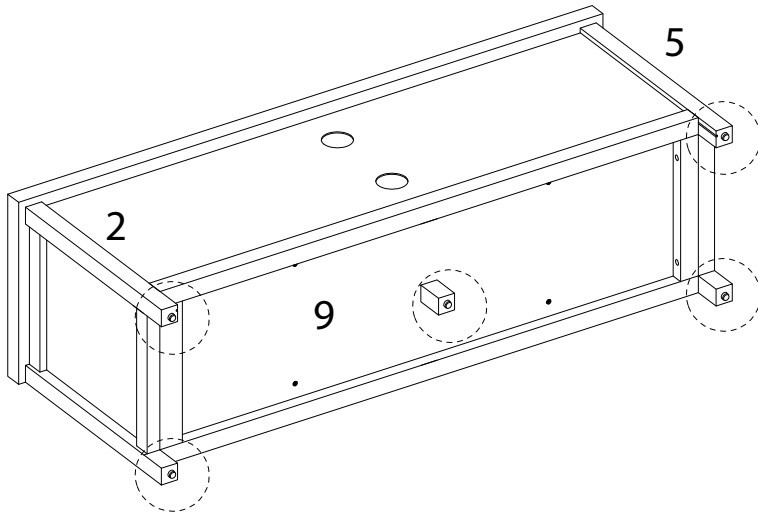


15

D



x 5



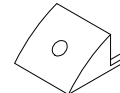
16

F

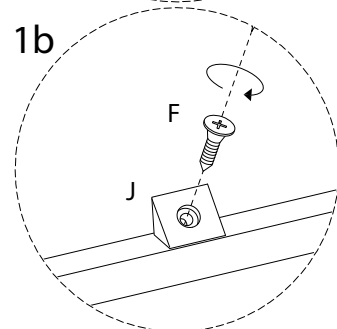
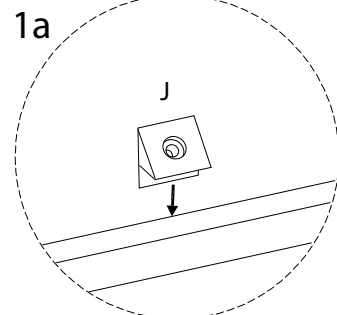
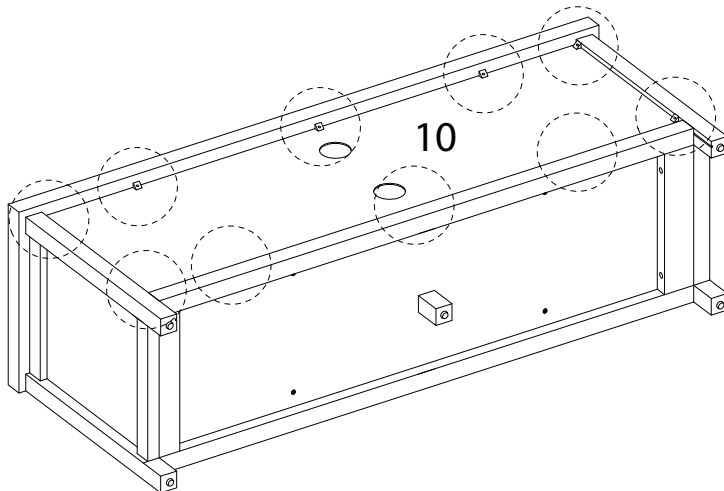


x 10

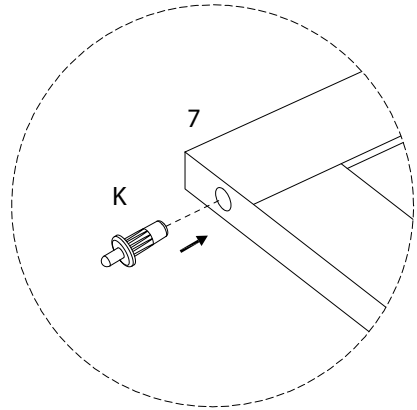
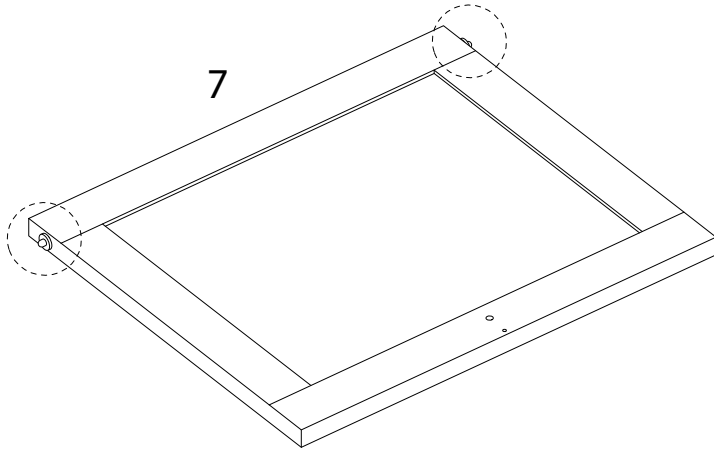
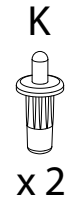
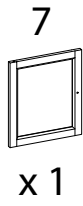
J



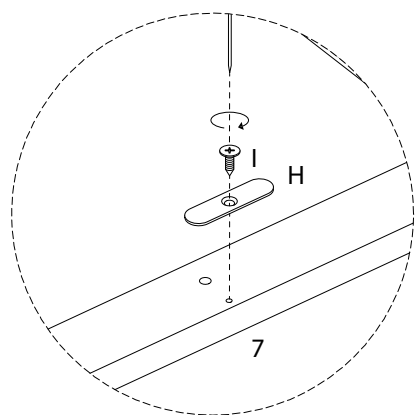
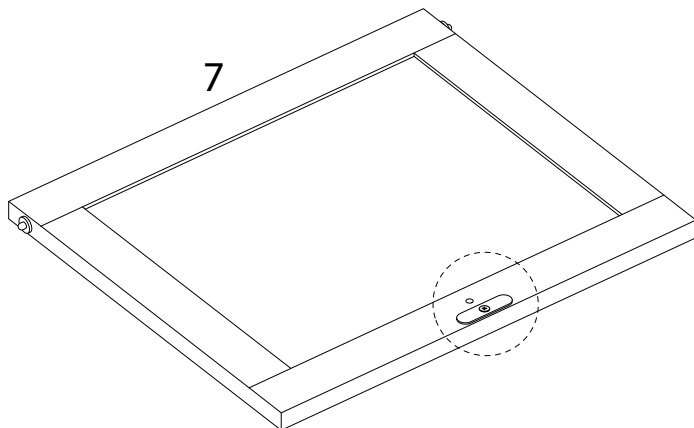
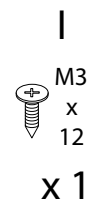
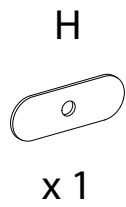
x 10



17 x 2



18 x 2



19 x 2

L

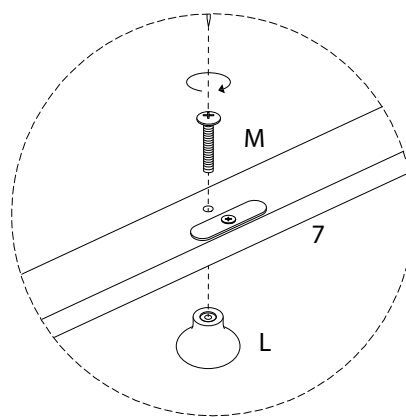
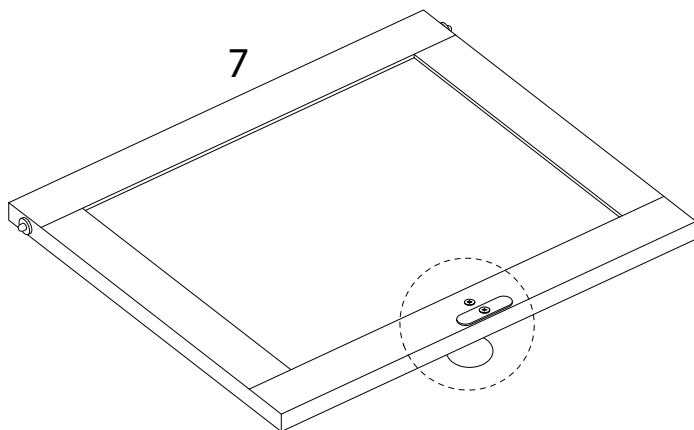


x 1

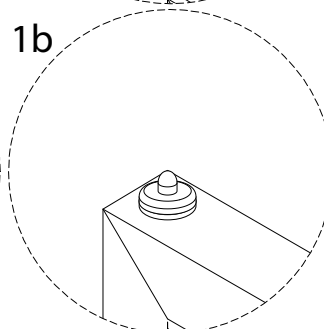
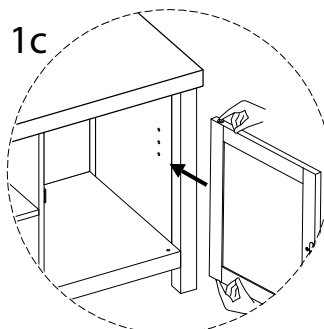
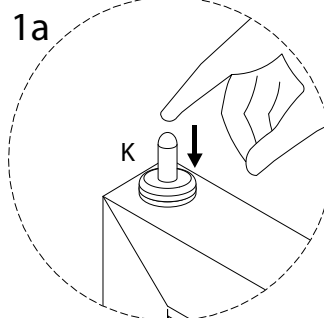
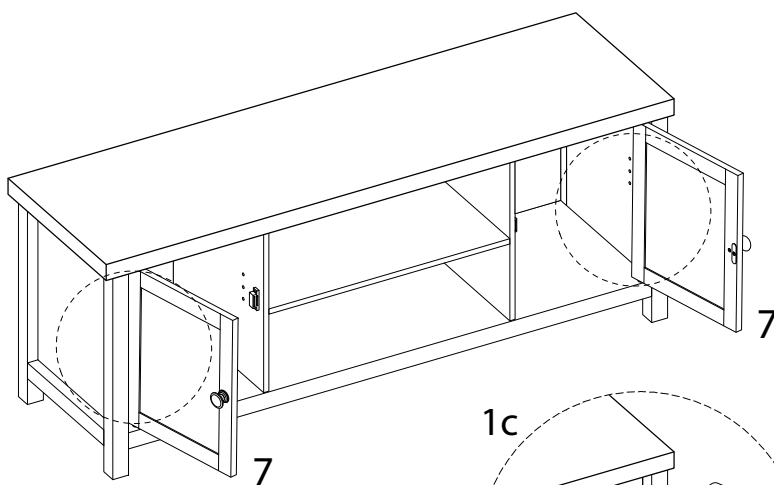
M



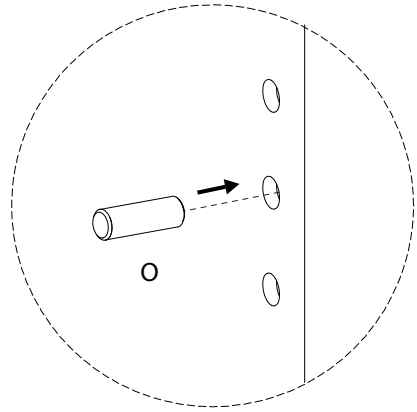
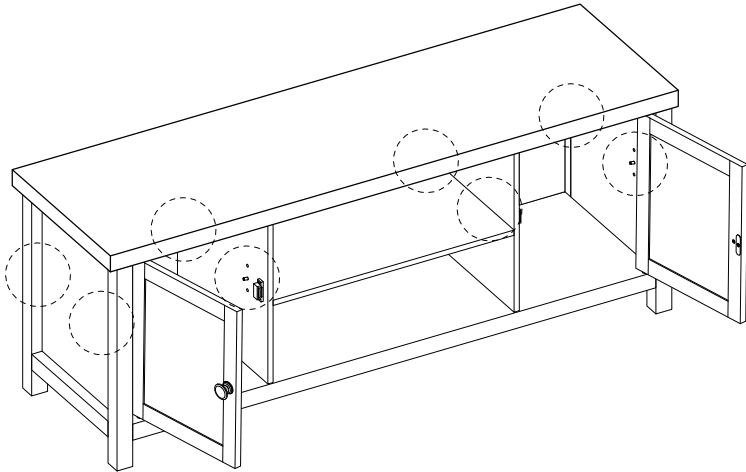
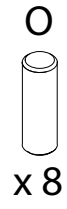
x 1



20



21



22

