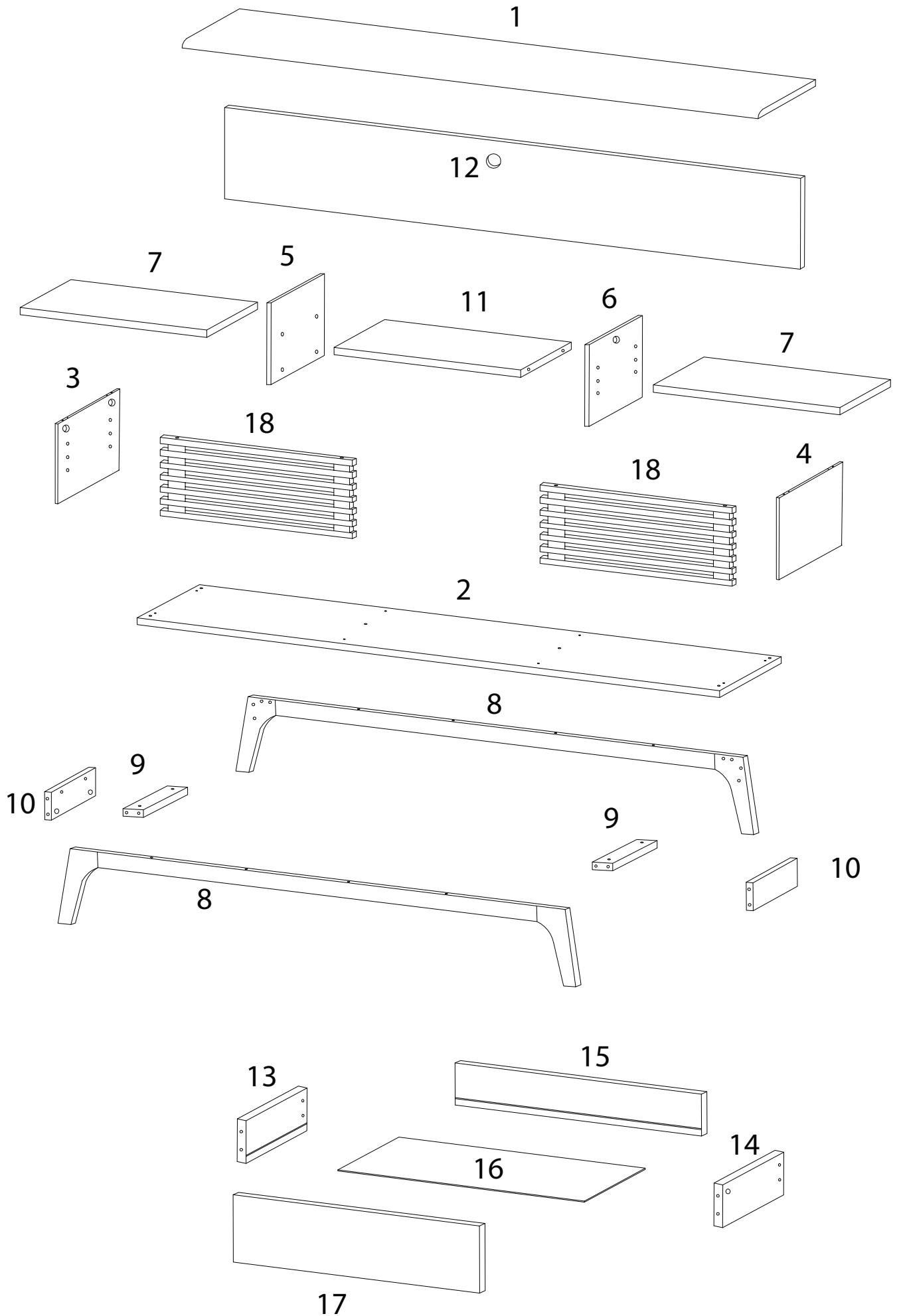


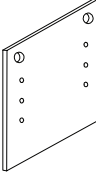
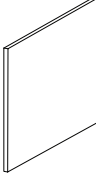
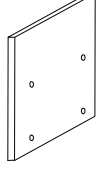
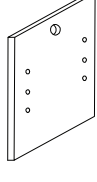


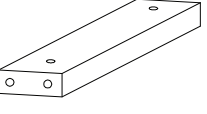
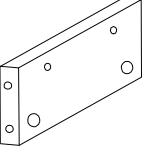
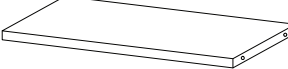
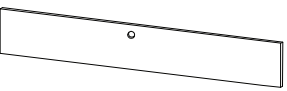
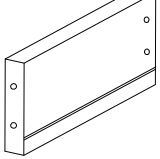
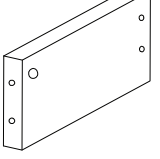


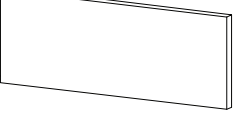
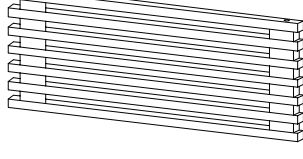
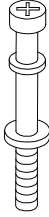
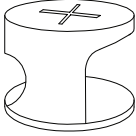
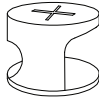
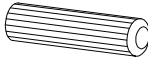

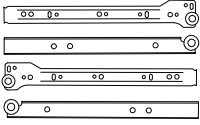

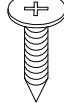
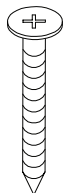
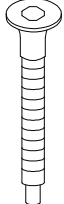

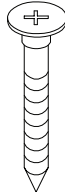
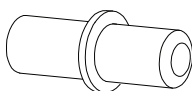
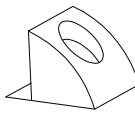
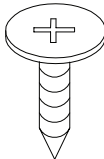
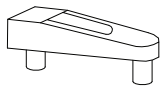
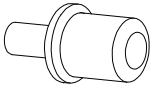
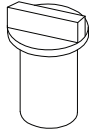

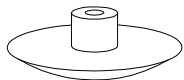
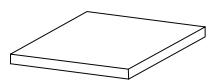

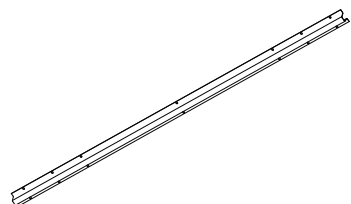


Assembly instructions for step 1/16:

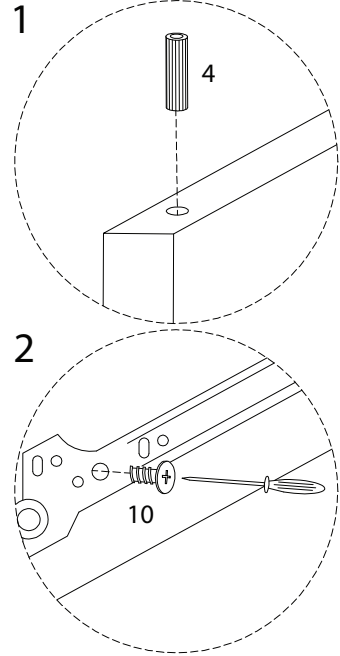
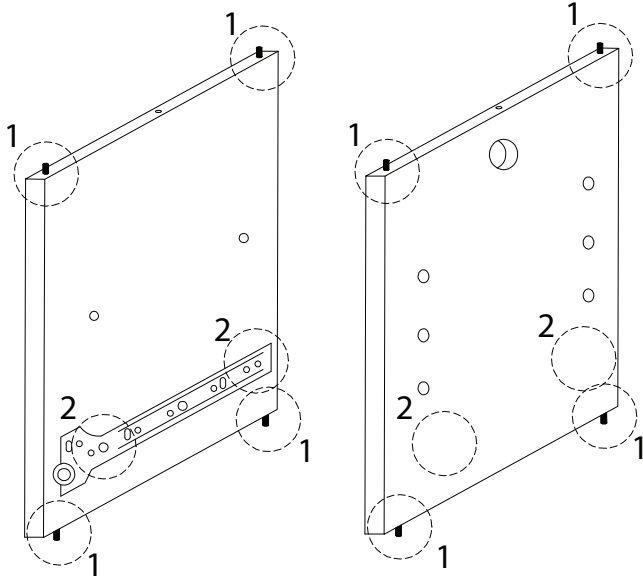
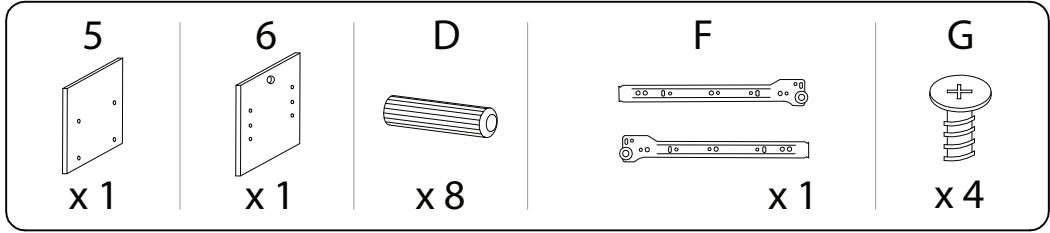
- Tools:** A circle containing a screwdriver and an L-shaped hex key. A power drill is shown with a diagonal line through it, indicating it should not be used.
- Warning:** A triangle with an exclamation mark.
- Time:** A clock icon with the text "40'" below it, indicating an estimated assembly time of 40 minutes.
- Personnel:** A person icon with the number "2" below it, indicating that two people are required for assembly.
- Diagram:** A circle containing a 3D block being placed on a textured surface. A second 3D block is shown below with a diagonal line through it, indicating it should not be placed on the textured surface.



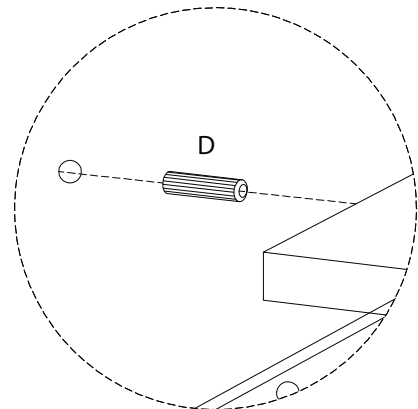
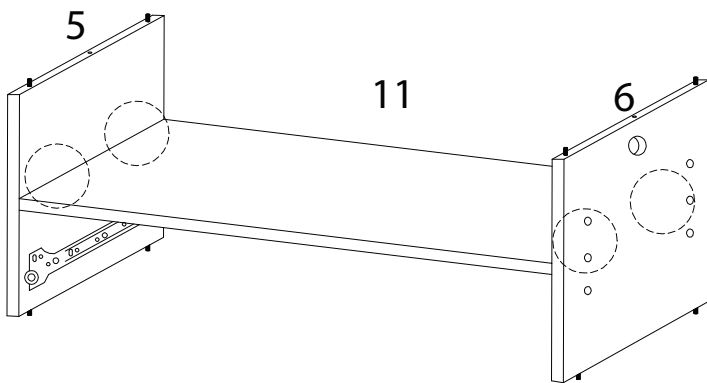
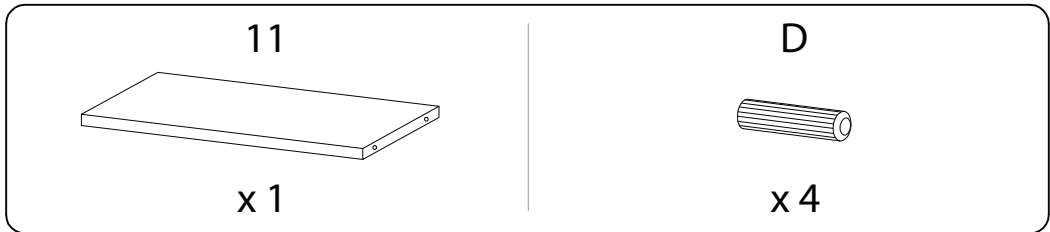
<p>1</p>  <p>x 1</p>	<p>2</p>  <p>x 1</p>	<p>3</p>  <p>x 1</p>	<p>4</p>  <p>x 1</p>
<p>5</p>  <p>x 1</p>	<p>6</p>  <p>x 1</p>	<p>7</p>  <p>x 2</p>	<p>8</p>  <p>x 2</p>
<p>9</p>  <p>x 2</p>	<p>10</p>  <p>x 2</p>	<p>11</p>  <p>x 1</p>	<p>12</p>  <p>x 1</p>
<p>13</p>  <p>x 1</p>	<p>14</p>  <p>x 1</p>	<p>15</p>  <p>x 1</p>	<p>16</p>  <p>x 1</p>
<p>17</p>  <p>x 1</p>		<p>18</p>  <p>x 2</p>	

<p>A</p>  <p>x 12</p>	<p>B</p>  <p>x 10</p>	<p>C</p>  <p>x 2</p>	<p>D</p>  <p>x 40</p>	<p>E</p>  <p>x 2</p>
<p>F</p>  <p>x 1</p>	<p>G</p>  <p>6.5 x 10.5</p> <p>x 4</p>	<p>H</p>  <p>3.5 x 13</p> <p>x 4</p>	<p>I</p>  <p>8 x 39</p> <p>x 4</p>	<p>J</p>  <p>7 x 50</p> <p>x 10</p>
<p>K</p>  <p>x 1</p>	<p>L</p>  <p>12 x 35</p> <p>x 4</p>	<p>M</p>  <p>x 8</p>	<p>N</p>  <p>x 12</p>	<p>O</p>  <p>3.5 x 15.5</p> <p>x 12</p>
<p>P</p>  <p>x 2</p>	<p>Q</p>  <p>x 4</p>	<p>R</p>  <p>x 4</p>	<p>S</p>  <p>x 2</p>	<p>T</p>  <p>x 6</p>
<p>U</p>  <p>x 4</p>	<p>V</p>  <p>6 x 12.5</p> <p>x 14</p>	<p>W</p>  <p>x 1</p>		

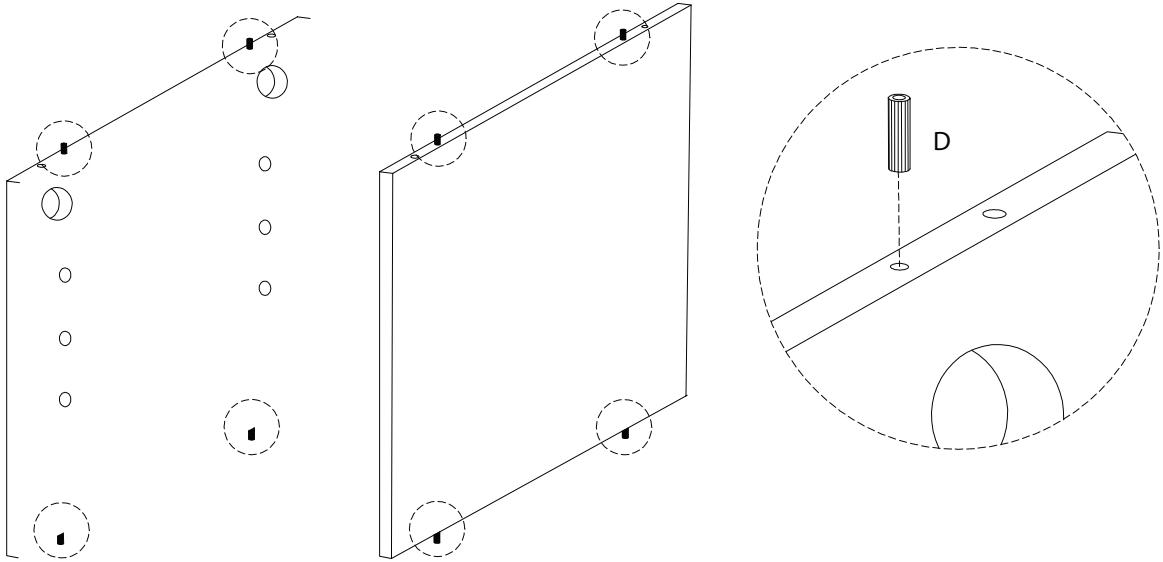
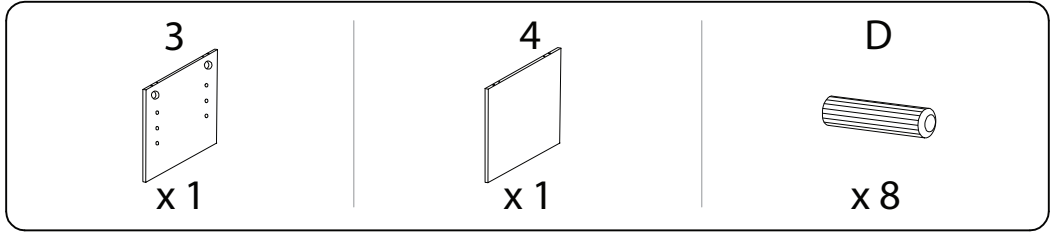
1



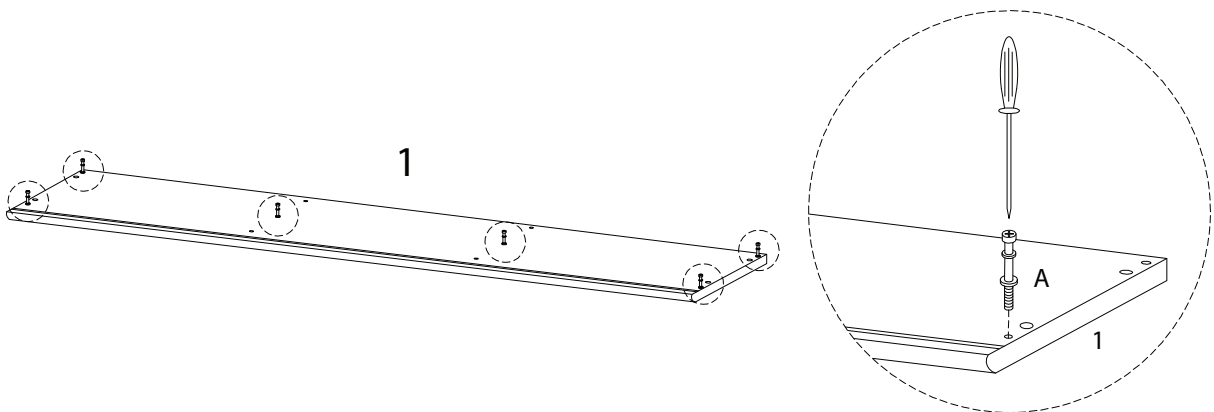
2



3

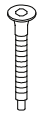


4



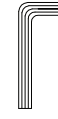
5

J

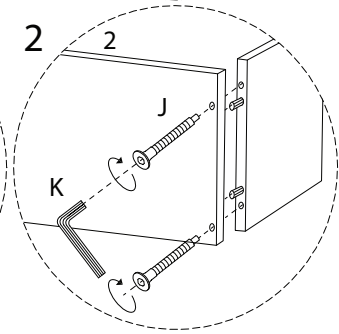
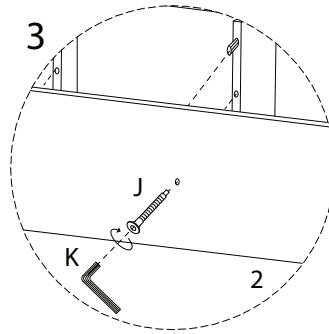
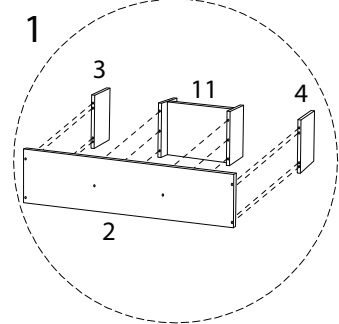
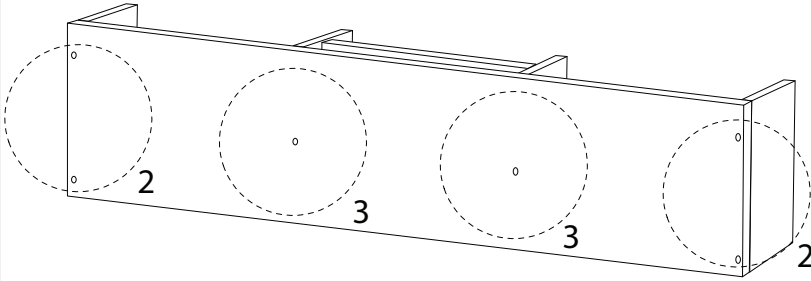


x6

K

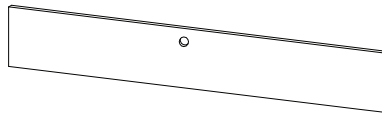


x1



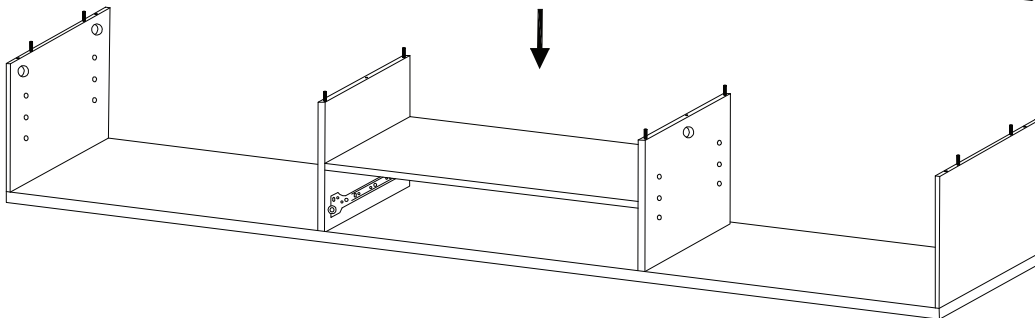
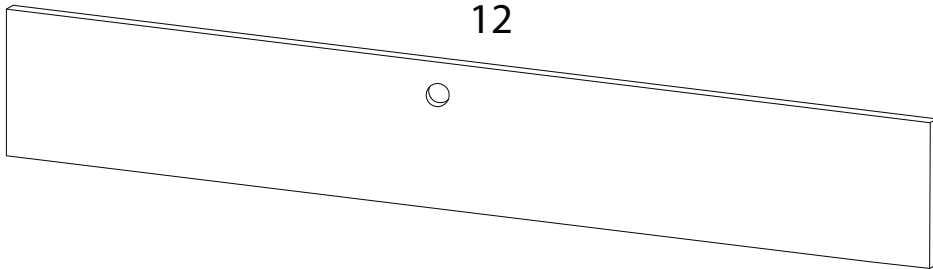
6

12

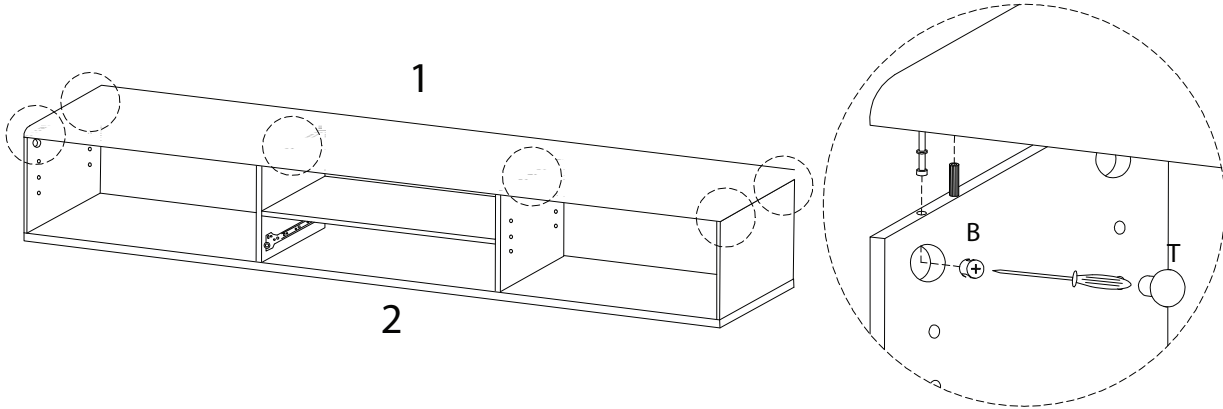
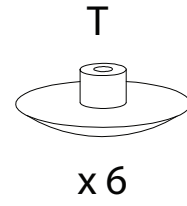
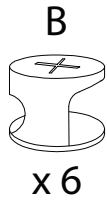


x1

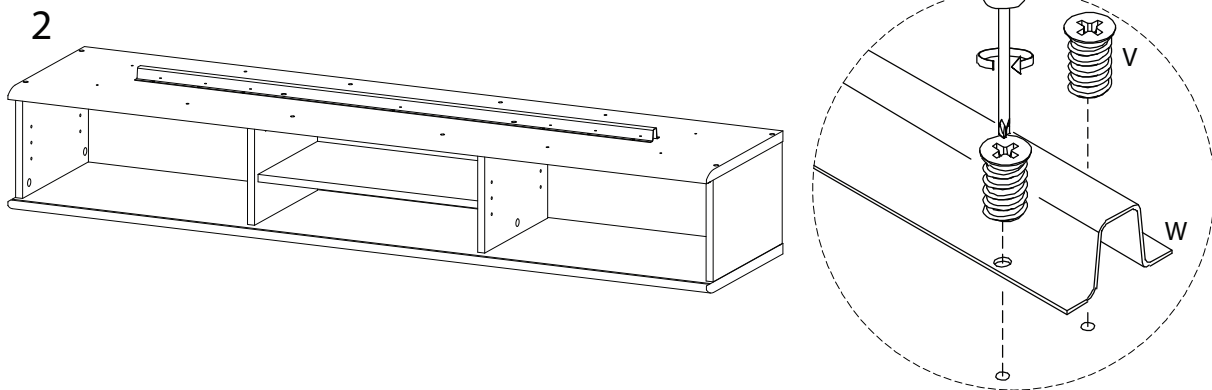
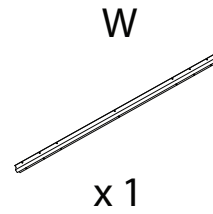
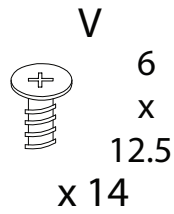
12



7

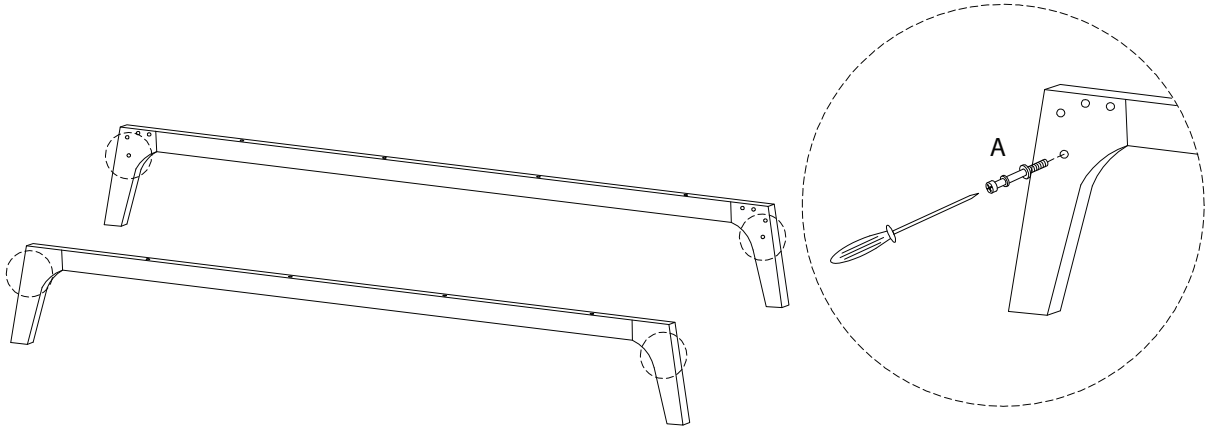
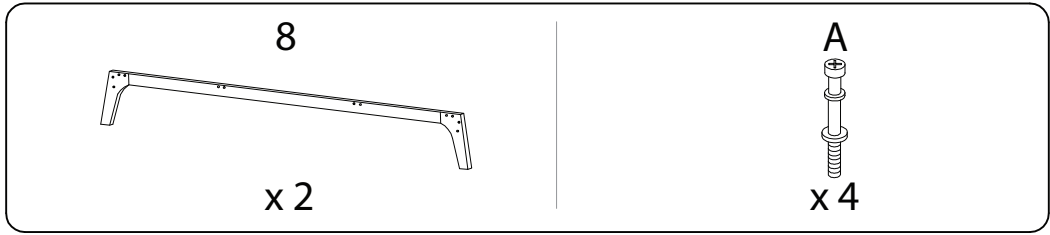


8

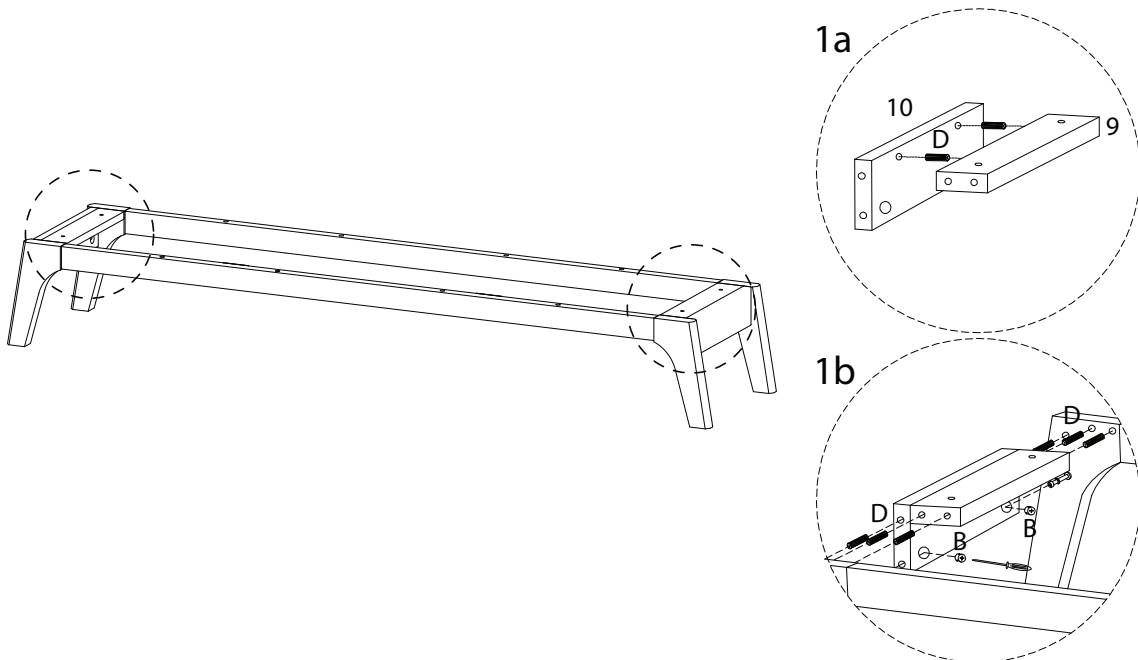
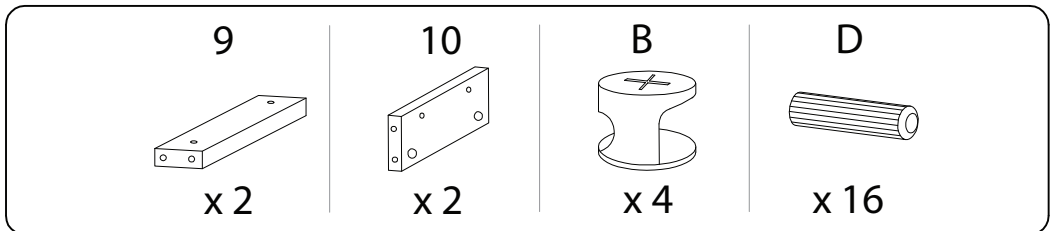




9

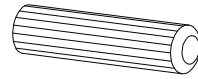


10

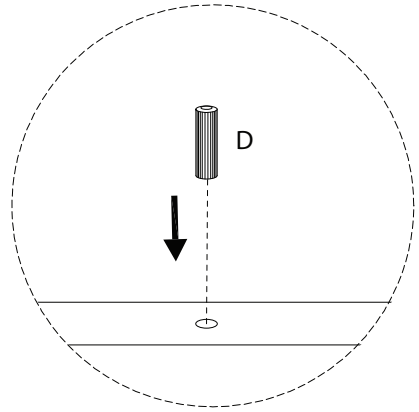
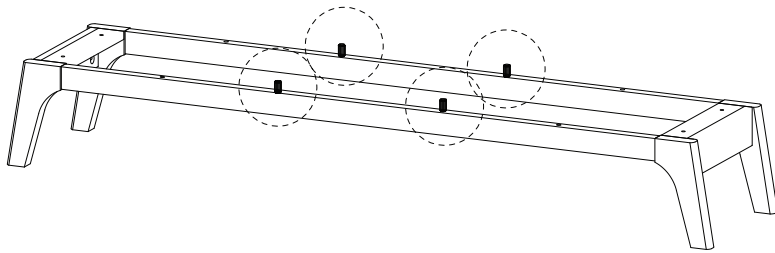


11

D

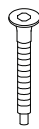


x 4



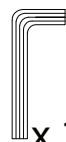
12

J



x 4

K

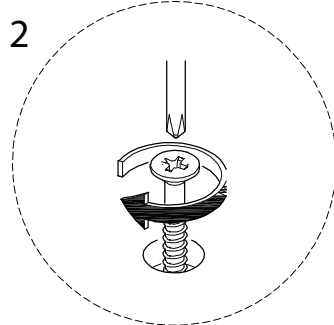
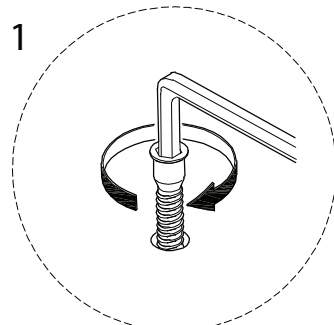
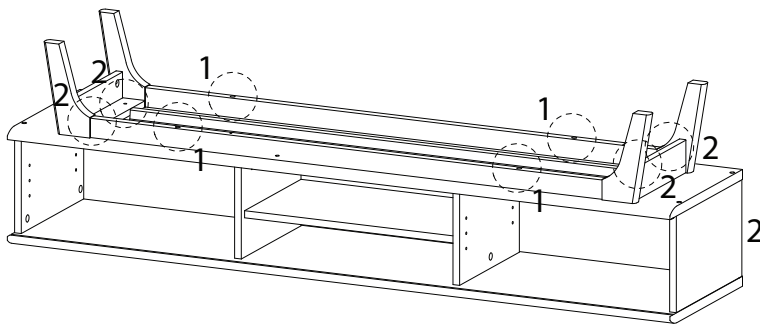


x 1

L

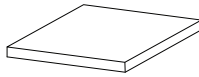


x 4



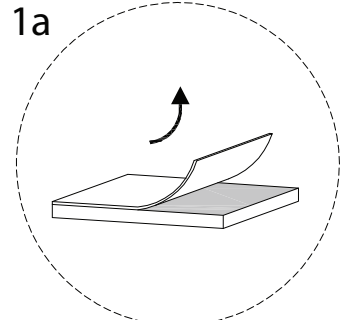
13

P

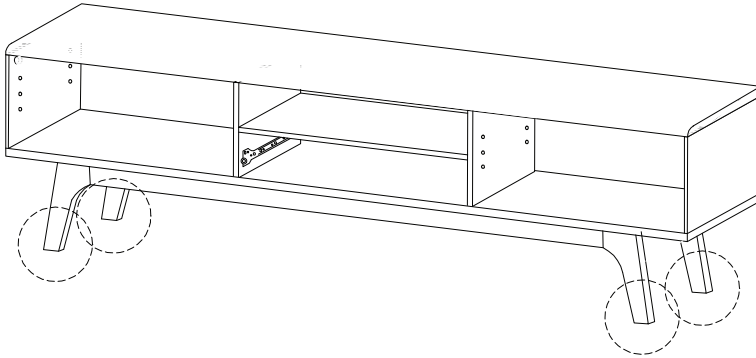
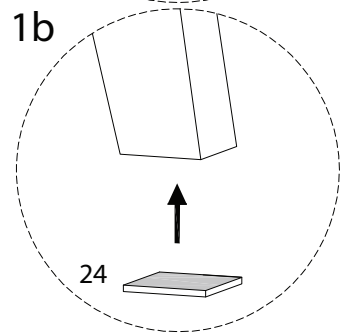


x 4

1a

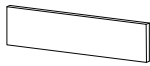


1b



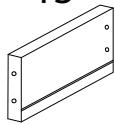
14

17



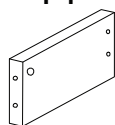
x 1

13



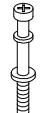
x 1

14



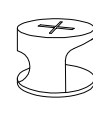
x 1

A



x 2

B



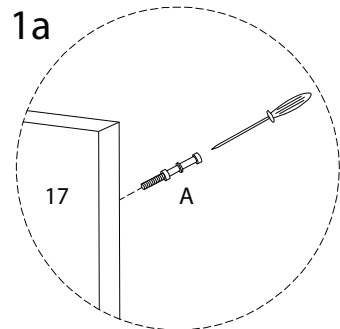
x 2

E

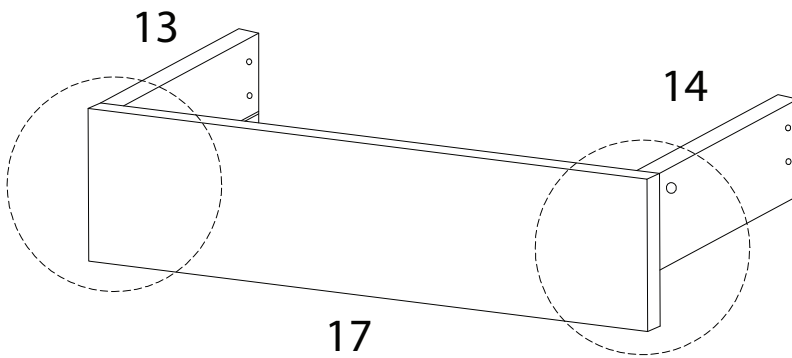
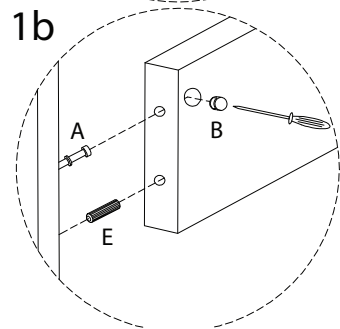


x 2

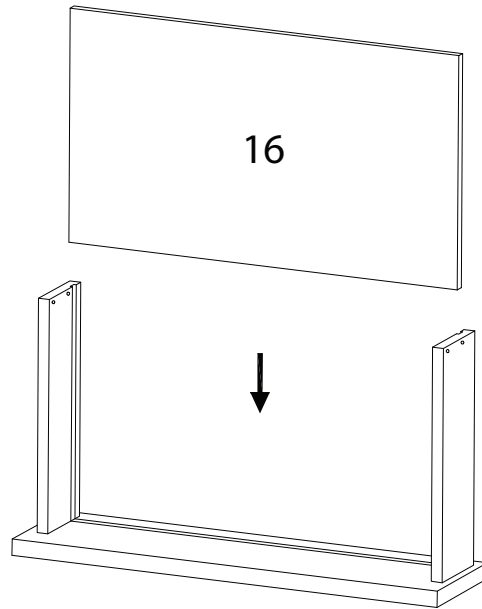
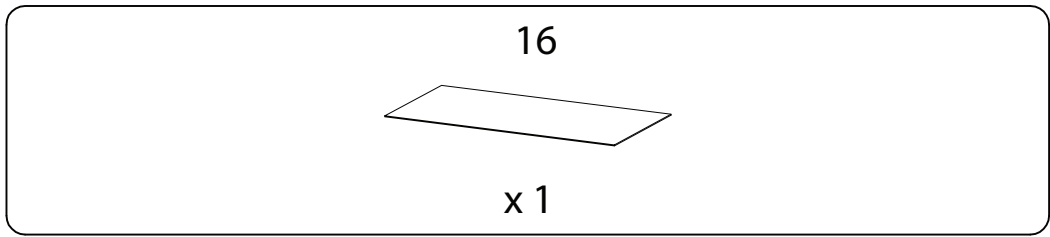
1a



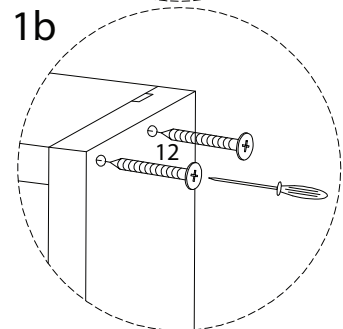
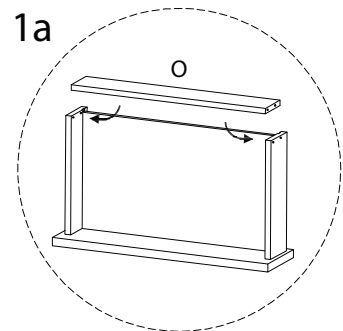
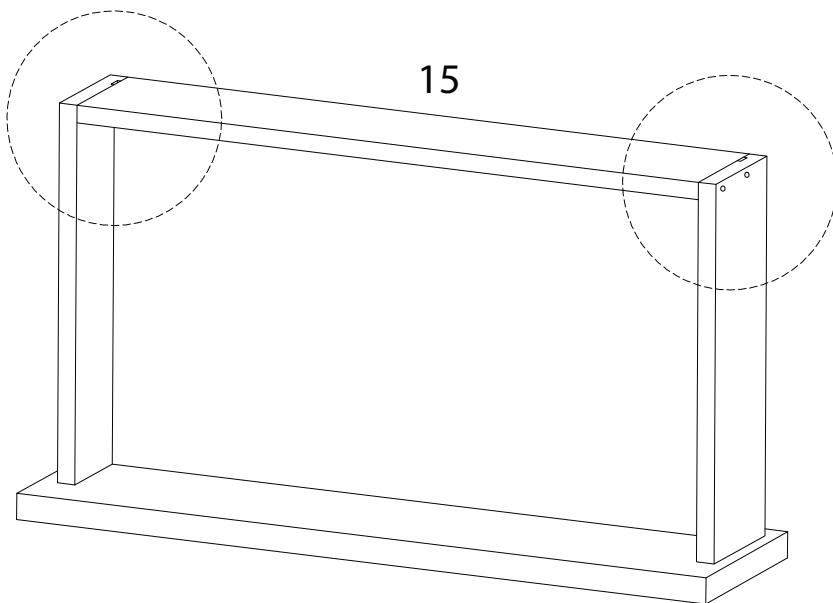
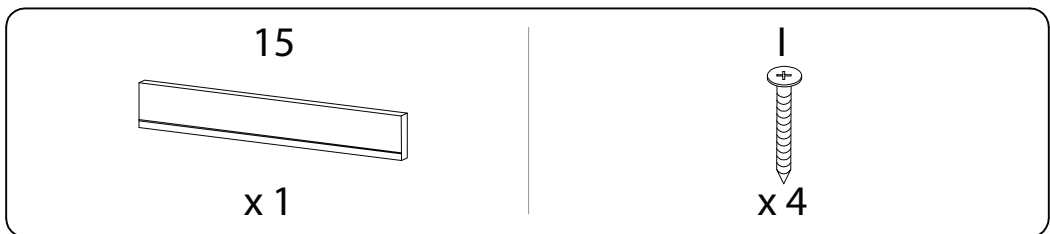
1b



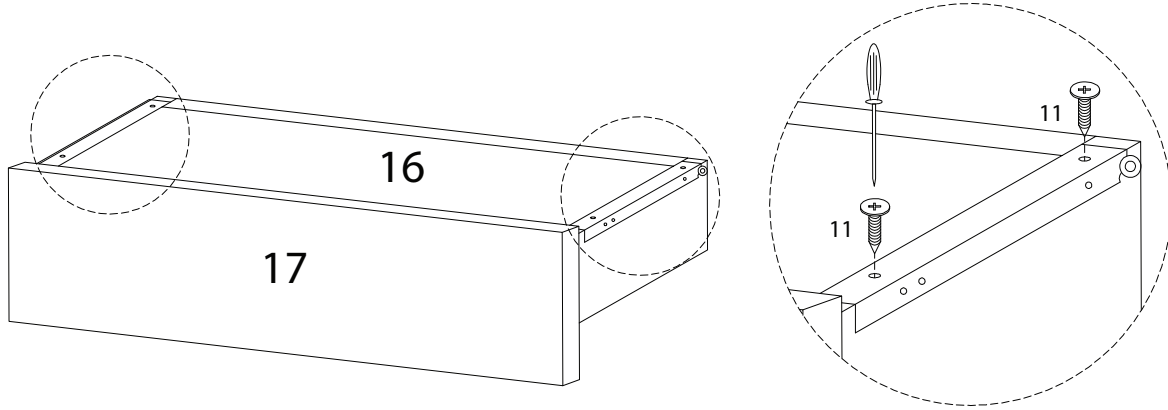
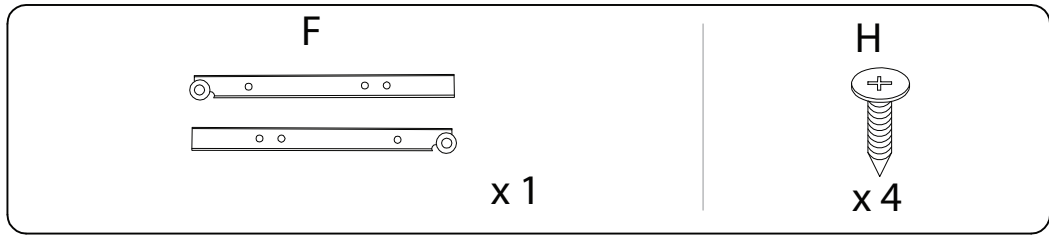
15



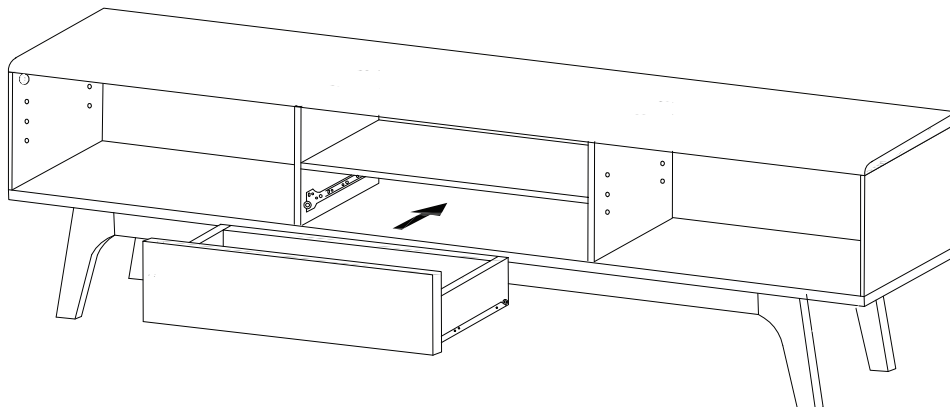
16



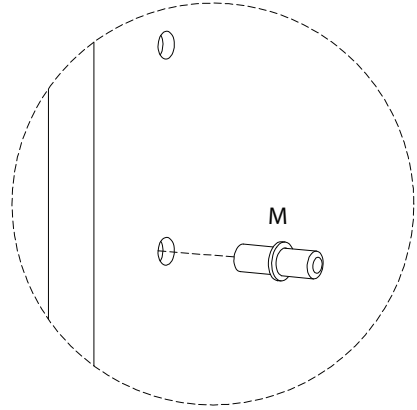
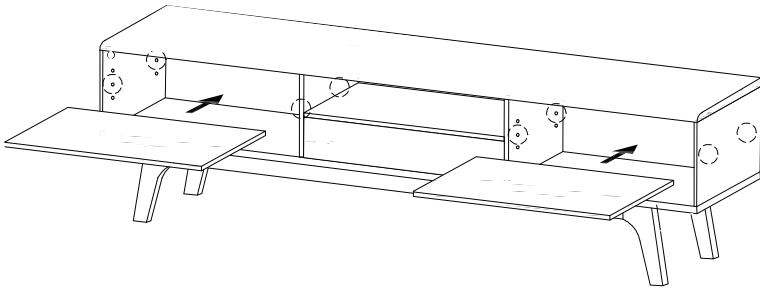
17



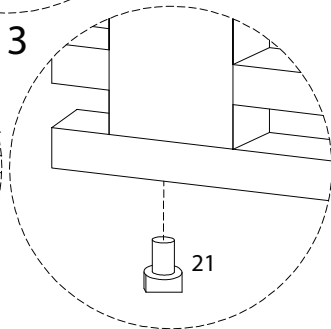
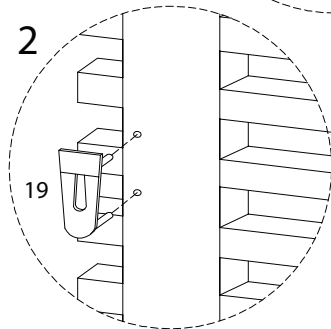
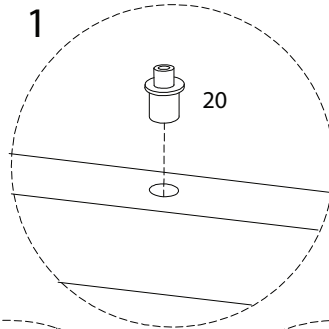
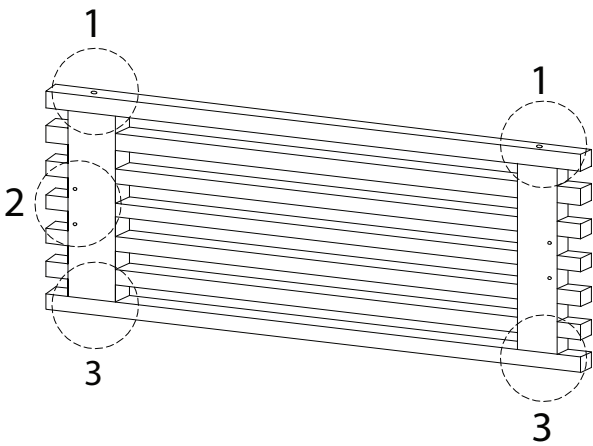
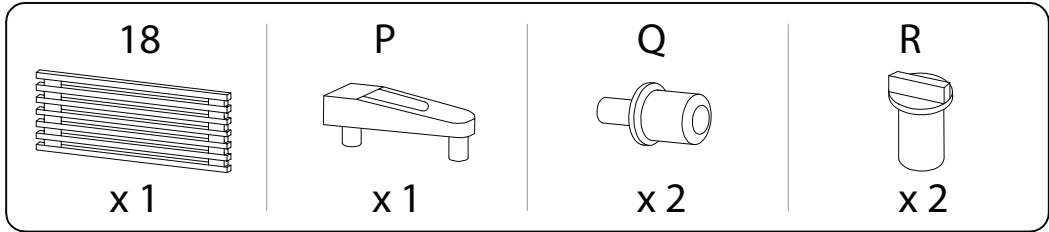
18



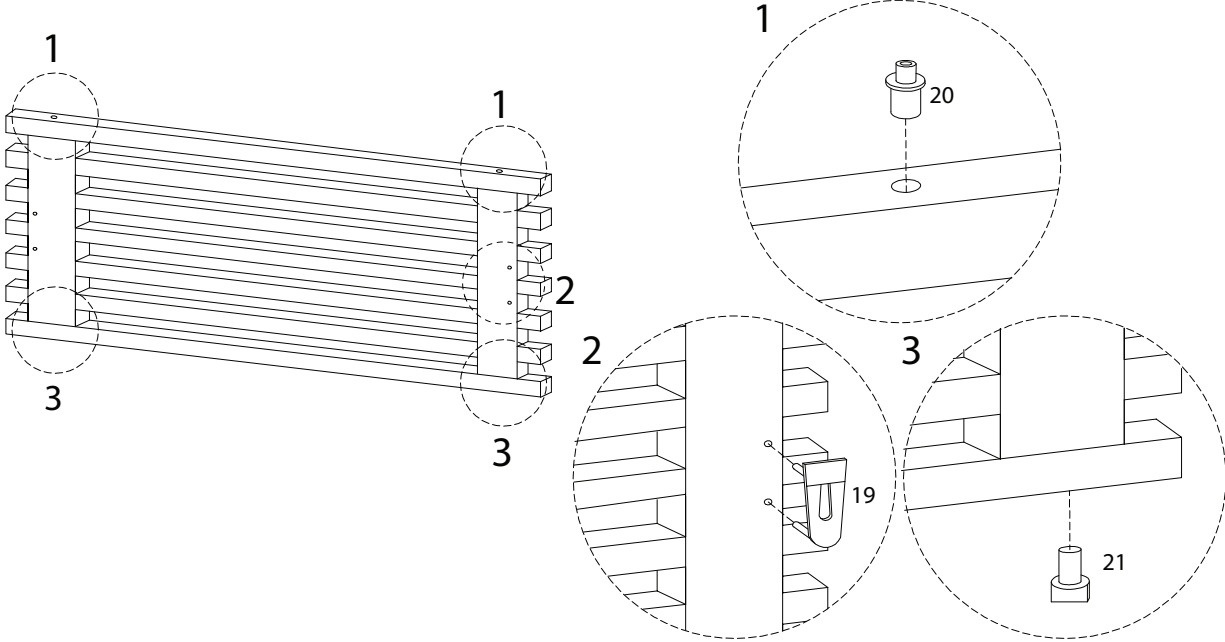
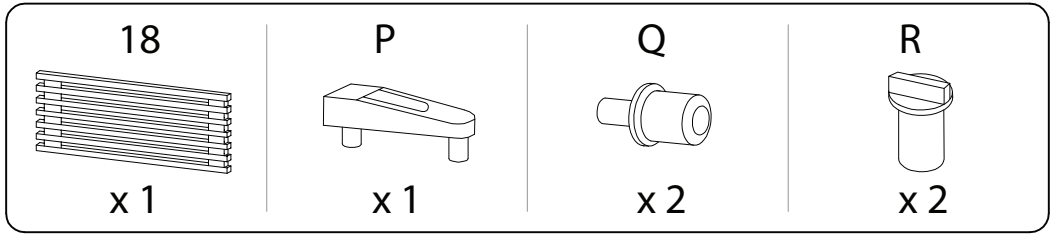
19



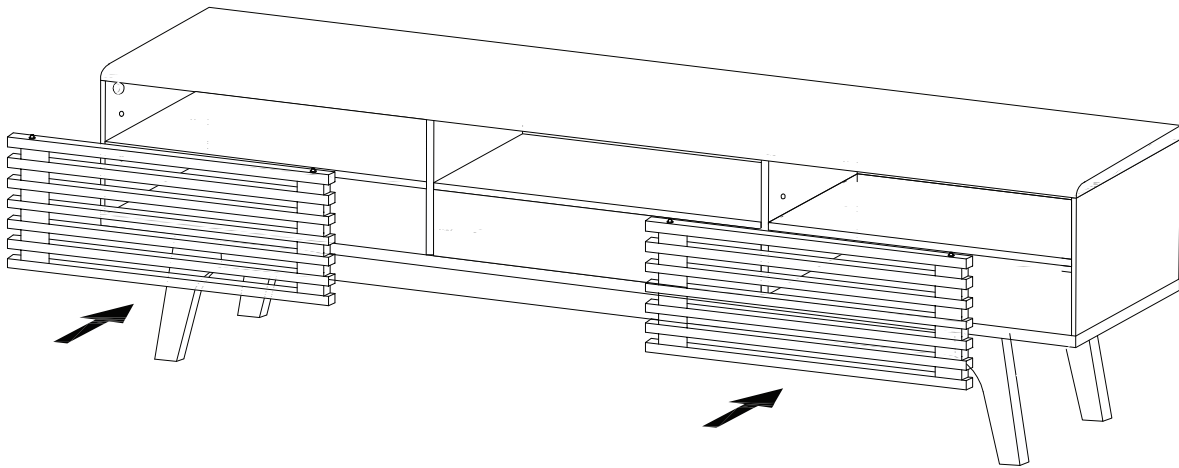
20



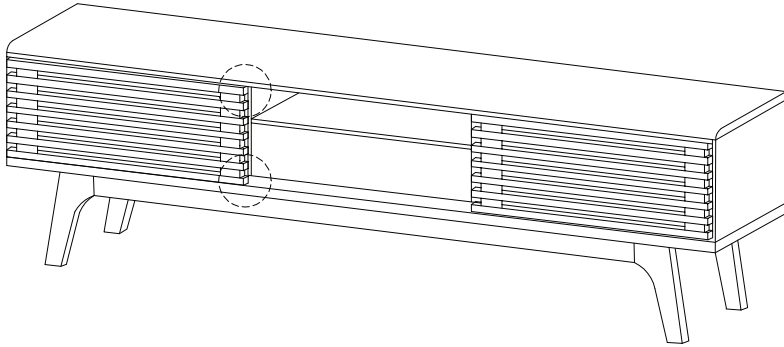
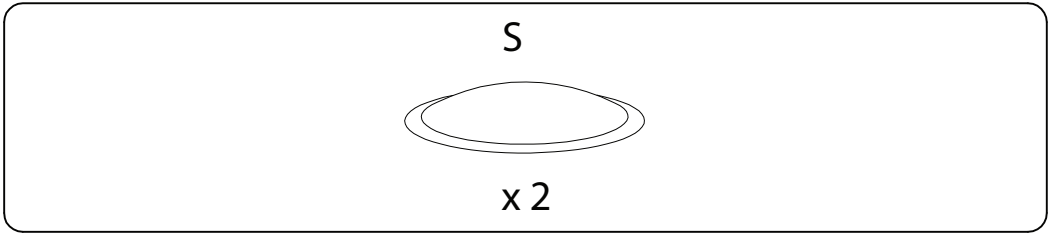
21



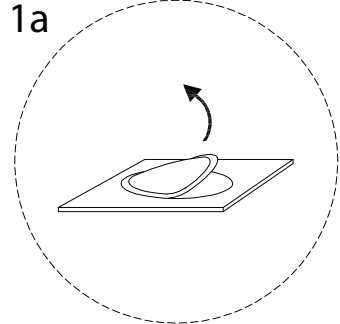
22



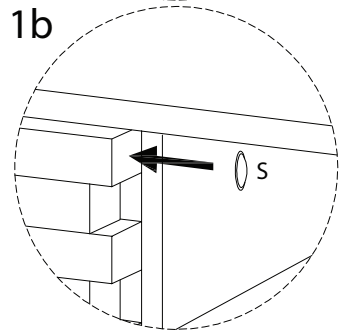
23



1a



1b



24

