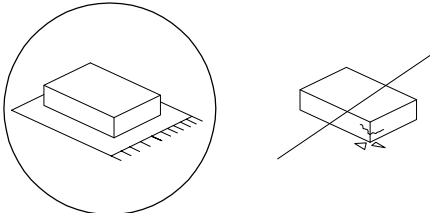


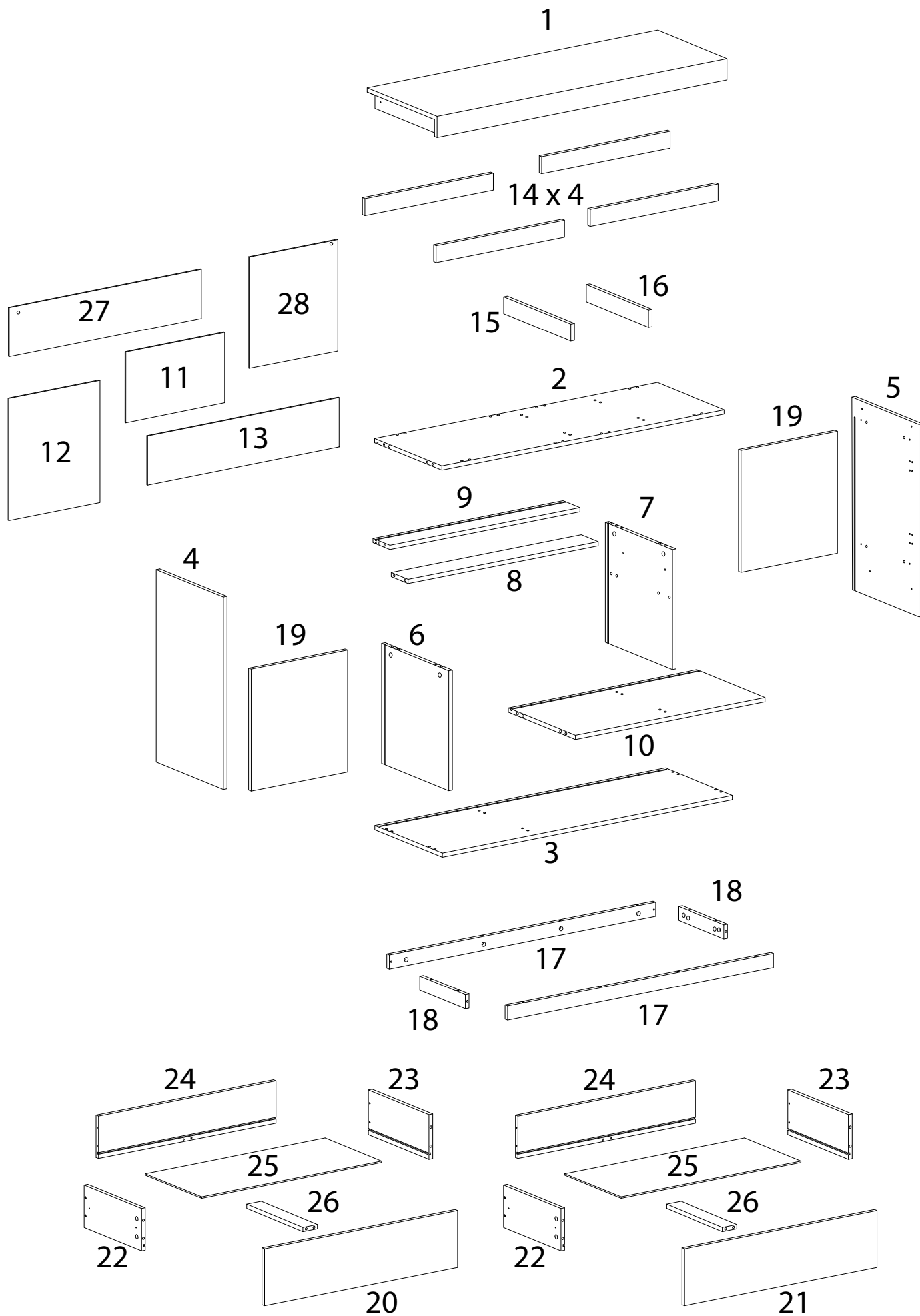
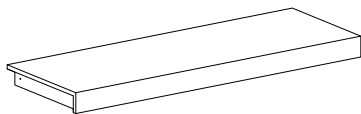

		<b>75'</b>
		
		<b>2</b>

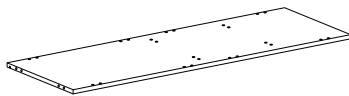


1



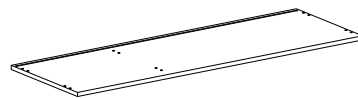
x 1

2



x 1

3



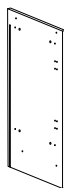
x 1

4



x 1

5



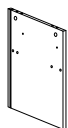
x 1

6



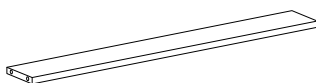
x 1

7



x 1

8



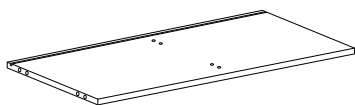
x 1

9



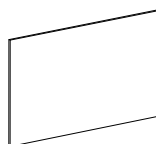
x 1

10



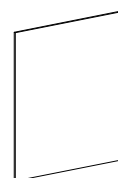
x 1

11



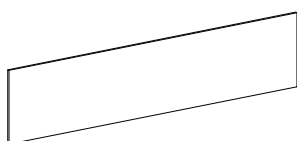
x 1

12



x 1

13



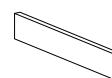
x 1

14



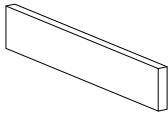
x 4

15



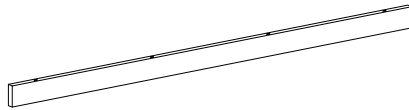
x 1

16



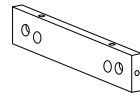
x 1

17



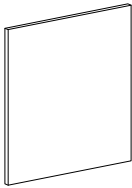
x 2

18



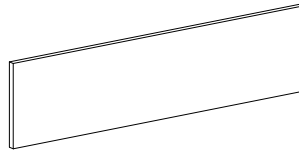
x 2

19



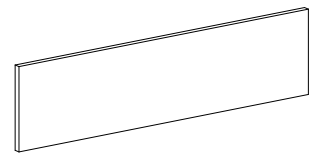
x 2

20



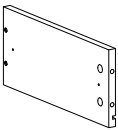
x 1

21



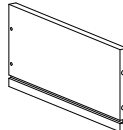
x 1

22



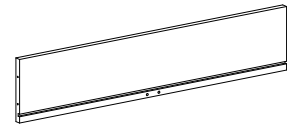
x 2

23



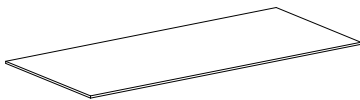
x 2

24



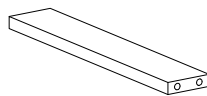
x 2

25



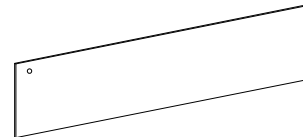
x 2

26



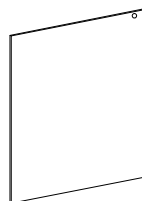
x 2

27



x 1

28



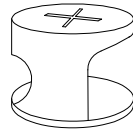
x 1

A



x 48

B



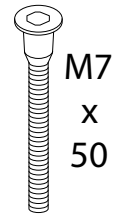
x 48

C



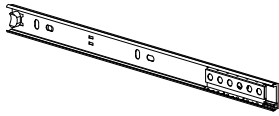
x 32

D



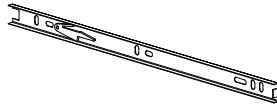
x 20

E



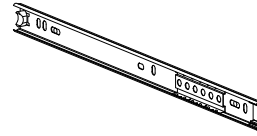
x 4

F



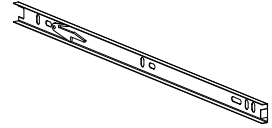
x 4

G



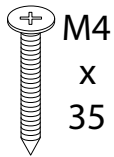
x 3

H



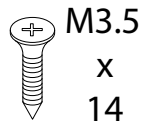
x 3

I



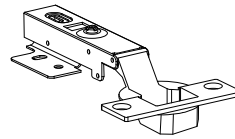
x 12

J



x 74

K



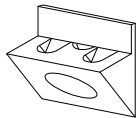
x 4

L



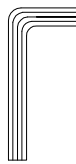
x 8

M



x 20

N



x 1

O



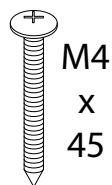
x 2

P



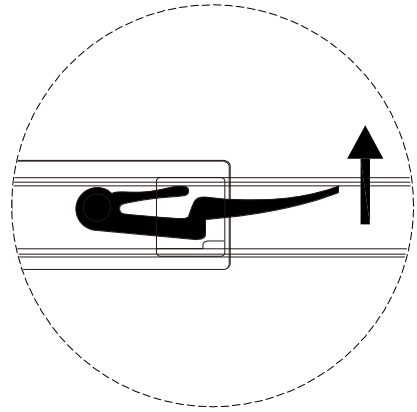
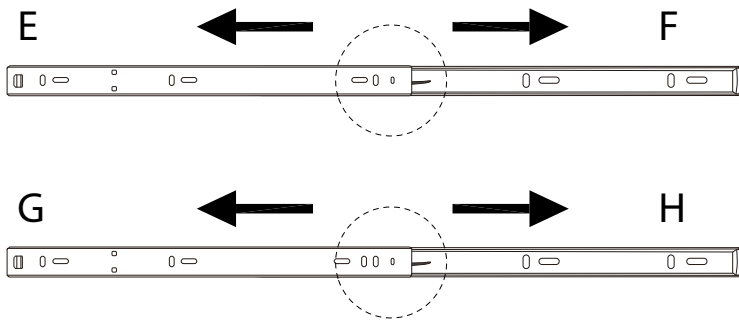
x 2

Q

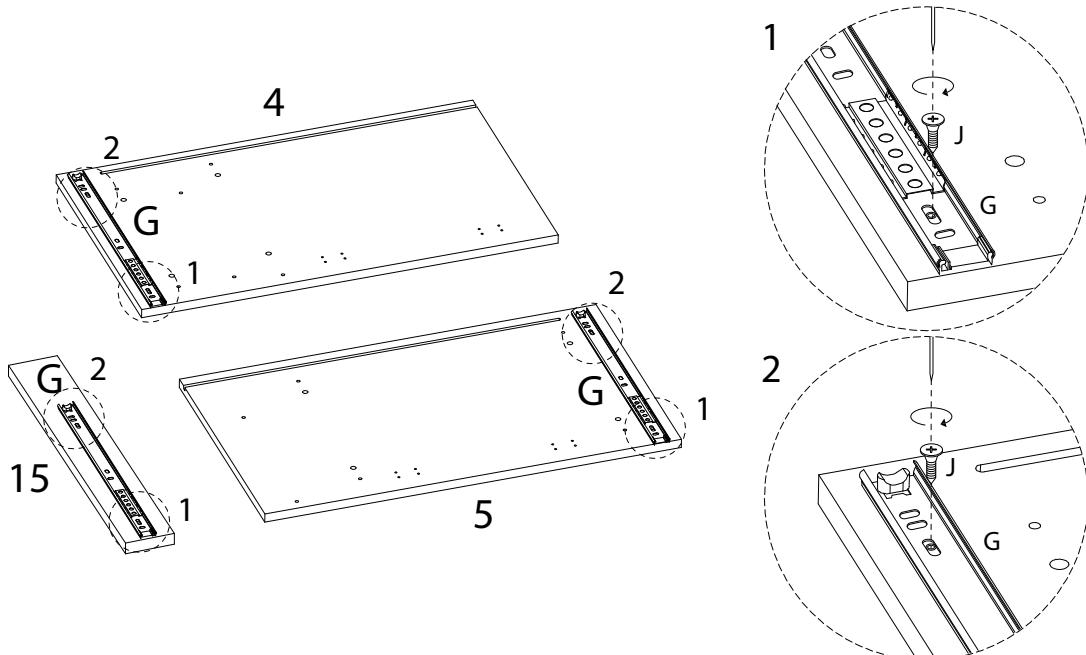
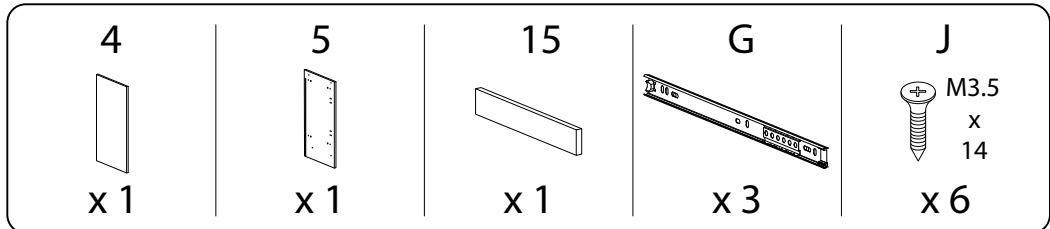


x 2

!



1



2

6



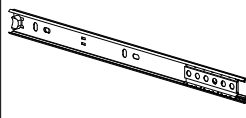
x 1

7



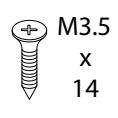
x 1

E



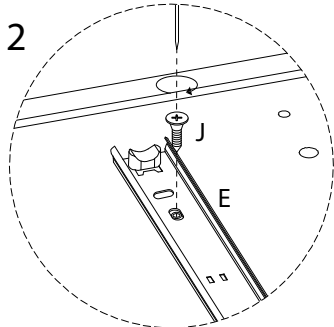
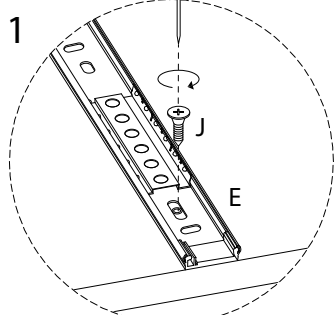
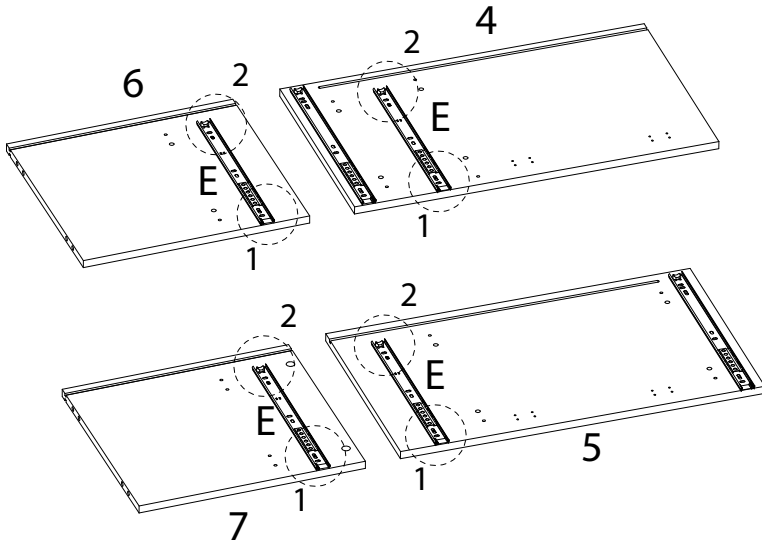
x 4

J



M3.5  
x  
14

x 8



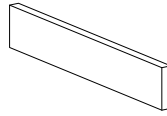
3

14



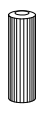
x 4

16

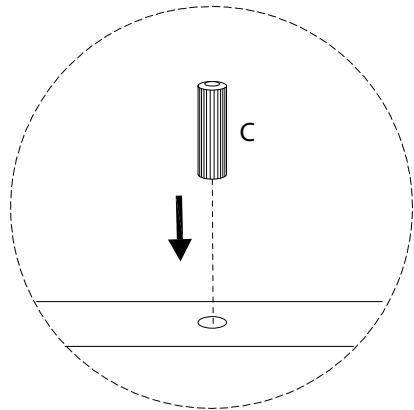
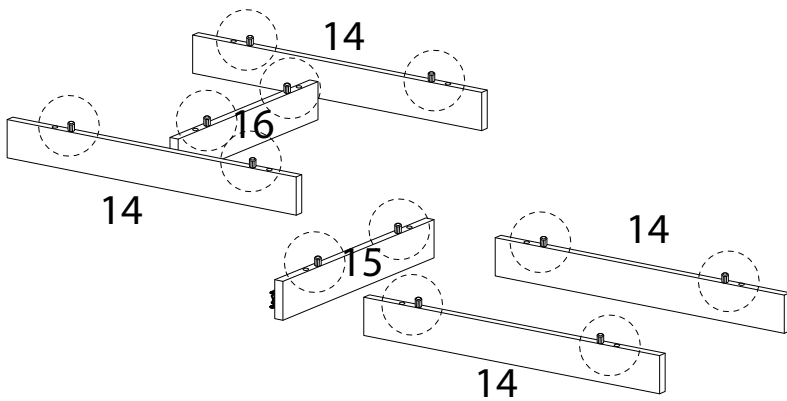


x 1

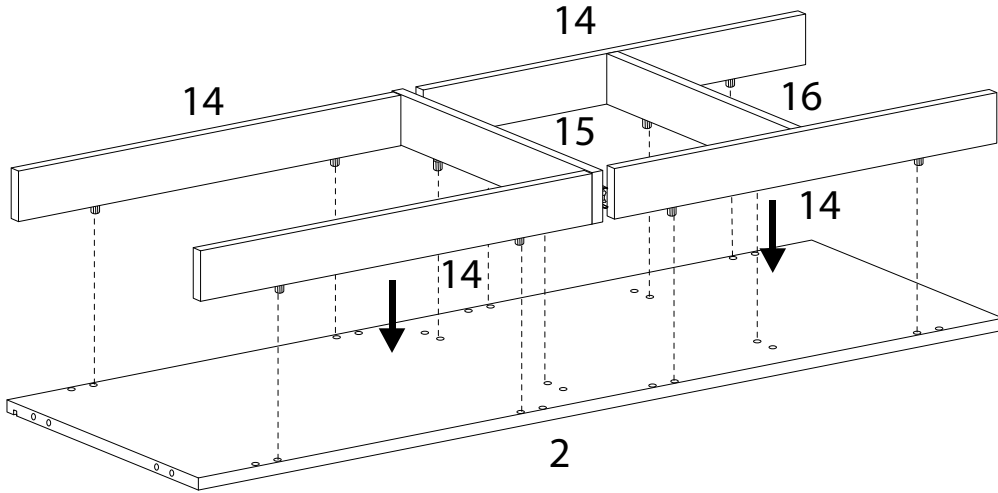
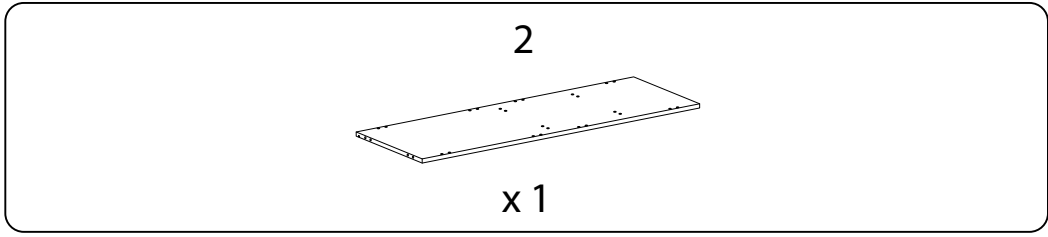
C



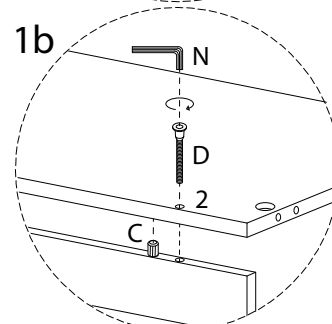
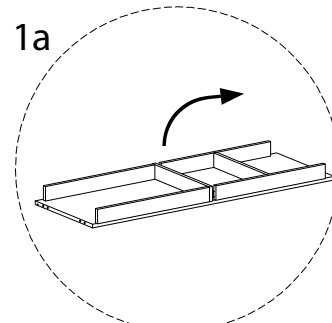
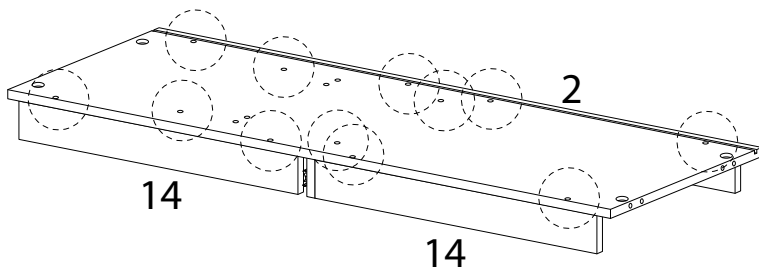
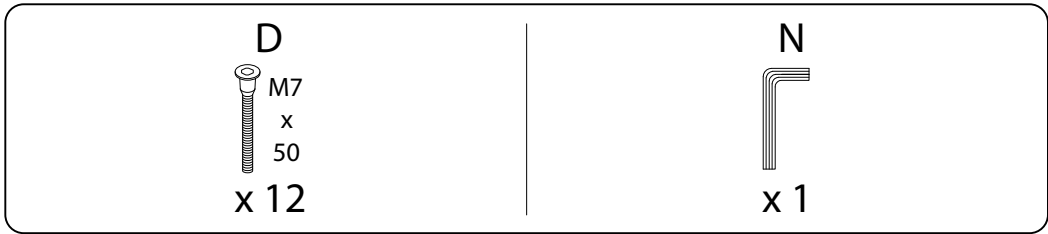
x 12



4



5





6

A

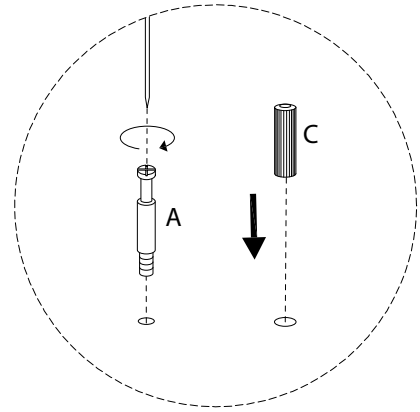
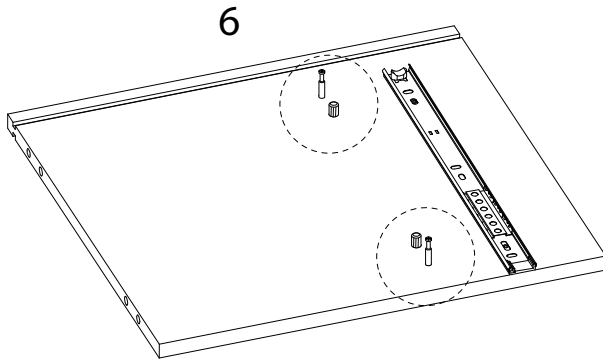


x 2

C



x 2



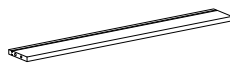
7

8



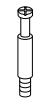
x 1

9



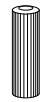
x 1

A

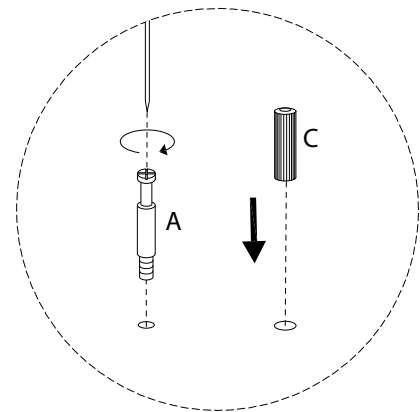
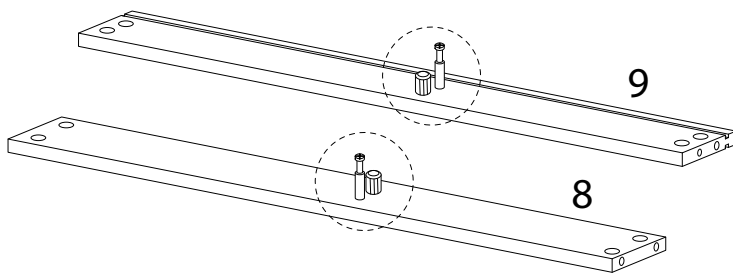


x 2

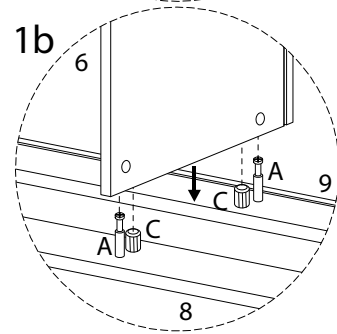
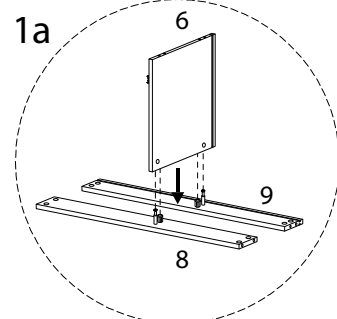
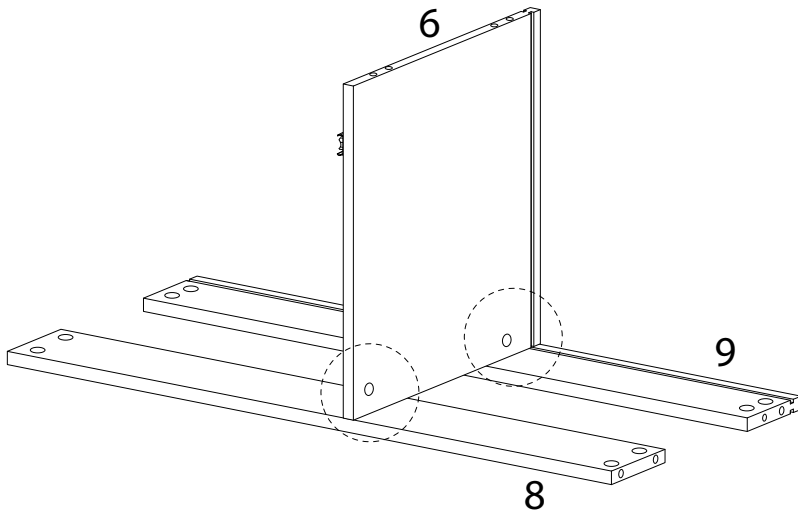
C



x 2



8

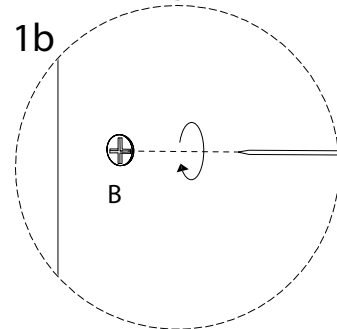
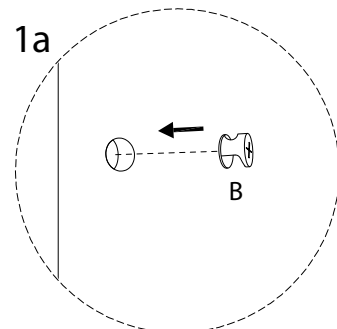
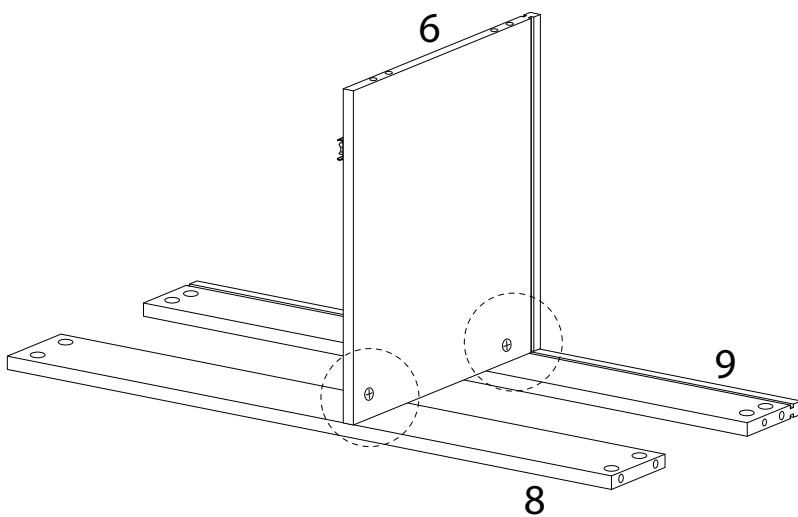


9

B



x2

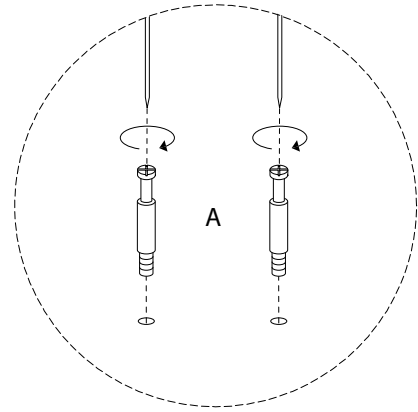
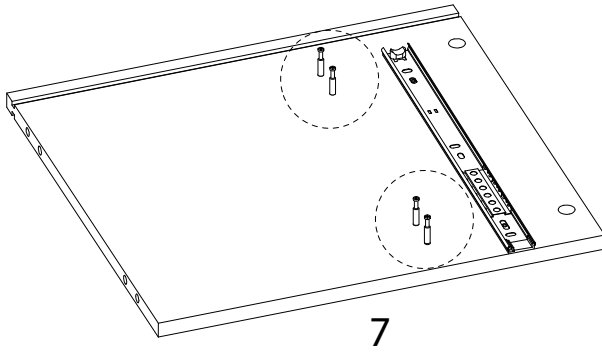


10

A

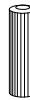


x 4

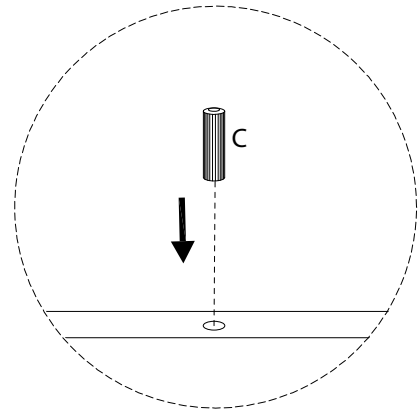
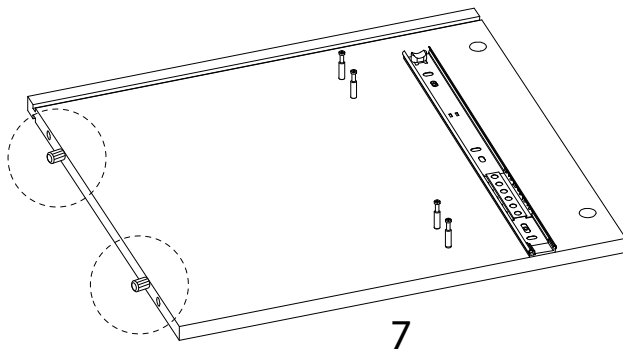


11

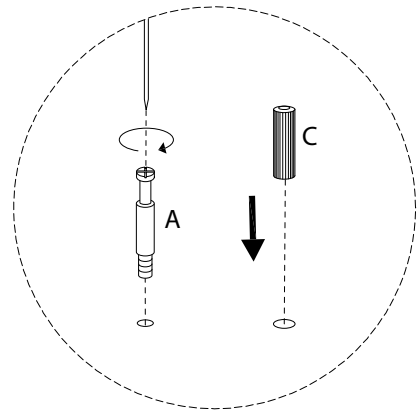
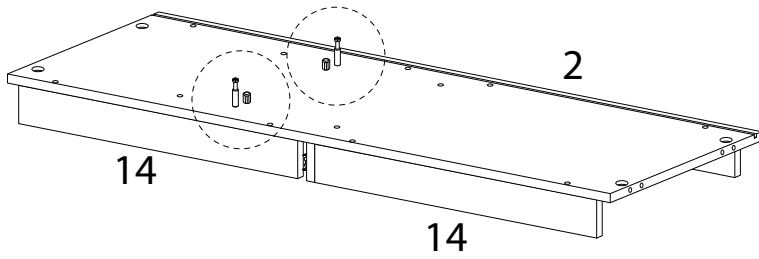
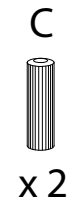
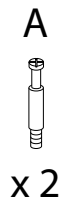
C



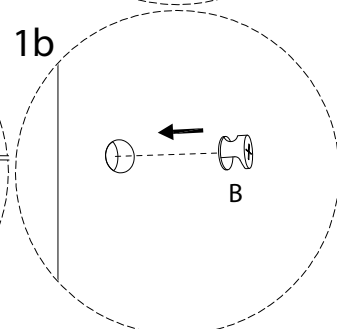
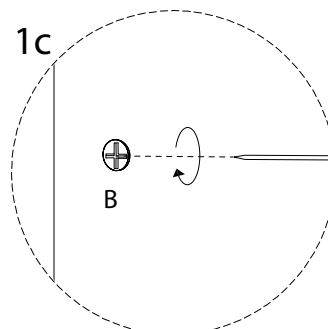
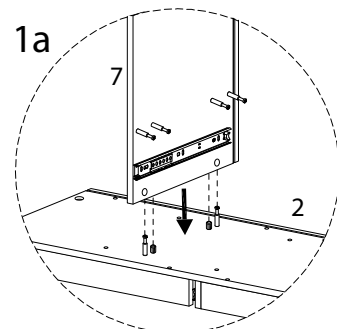
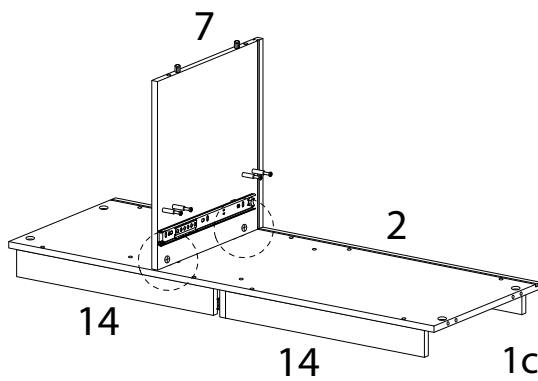
x 2



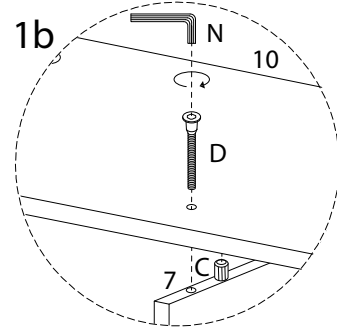
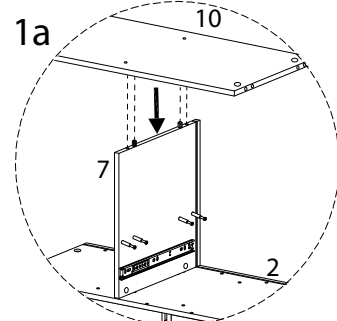
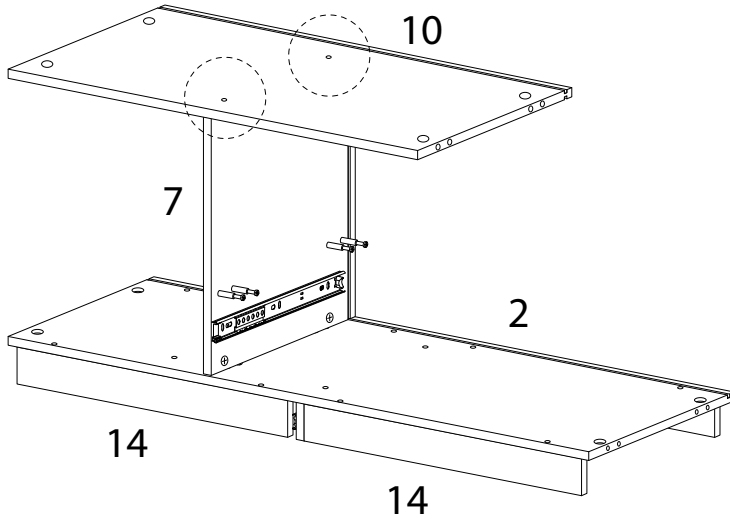
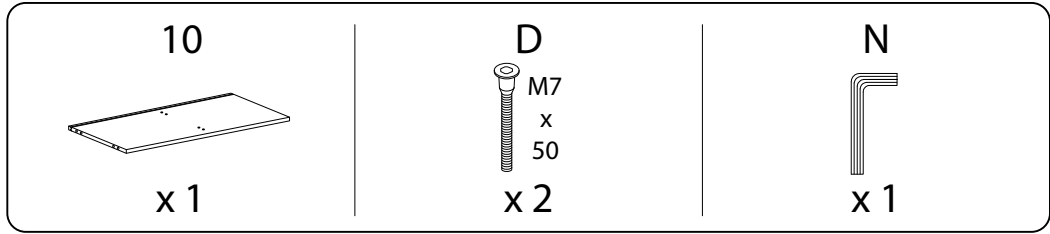
12



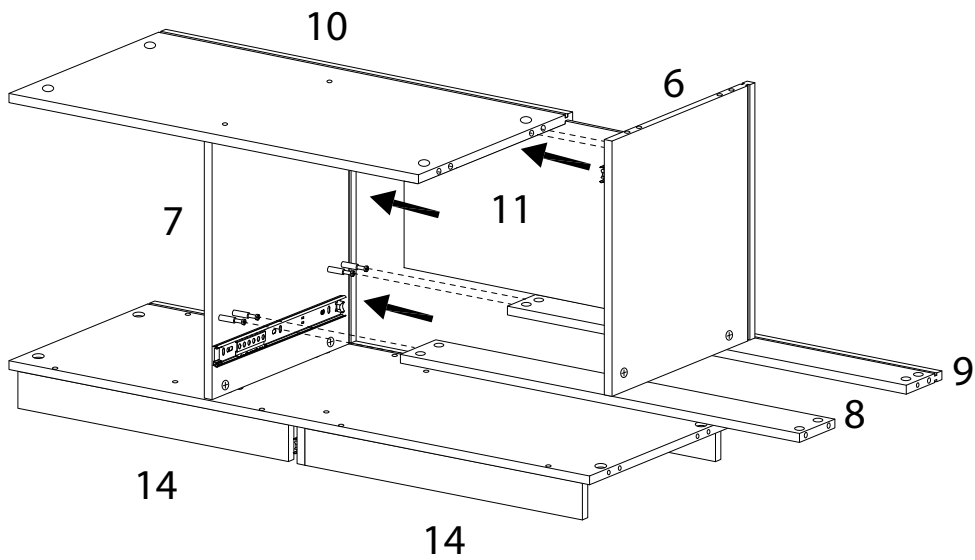
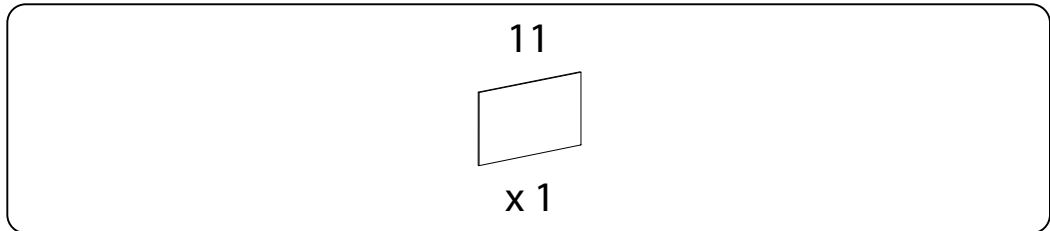
13



14



15

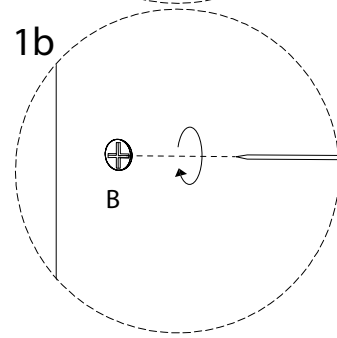
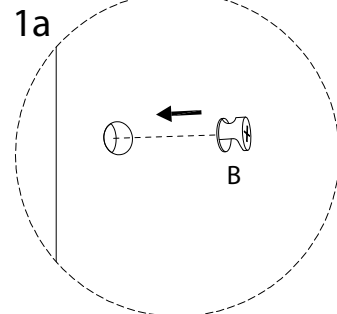
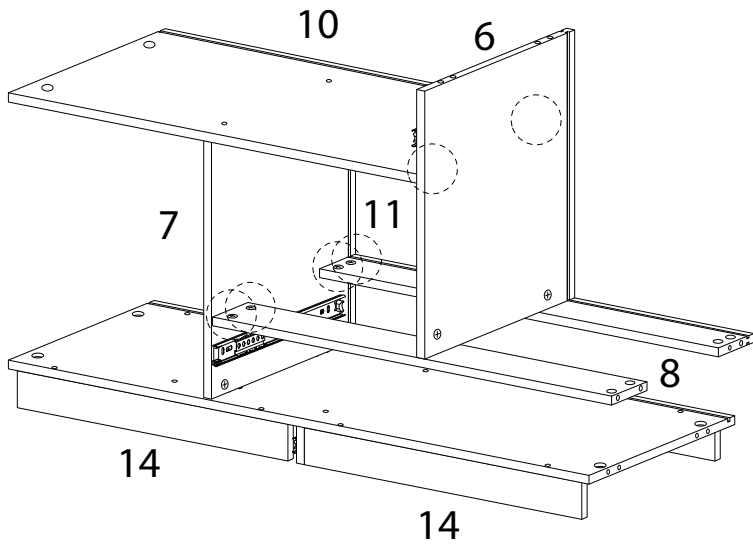


16

B



x 6

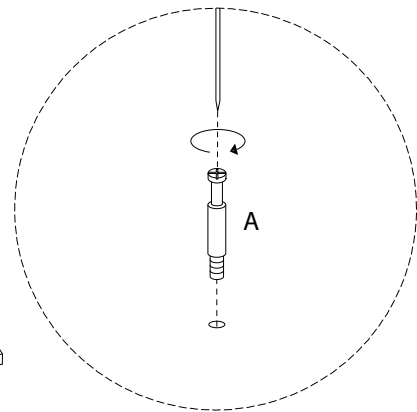
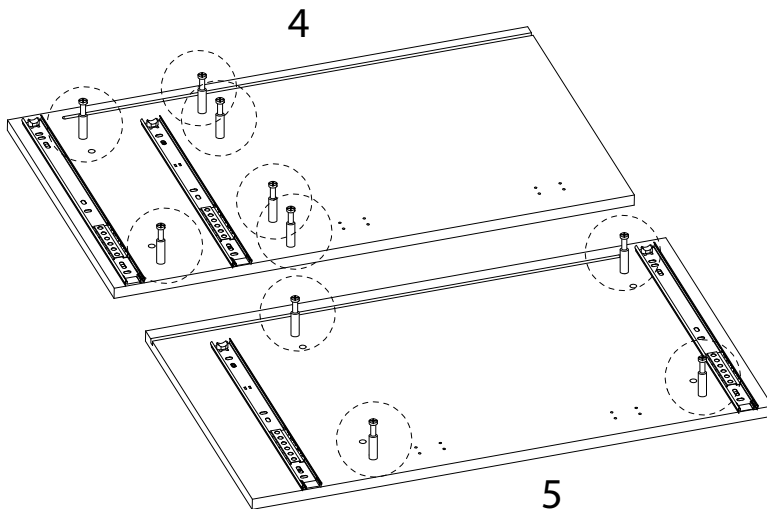


17

A



x 10

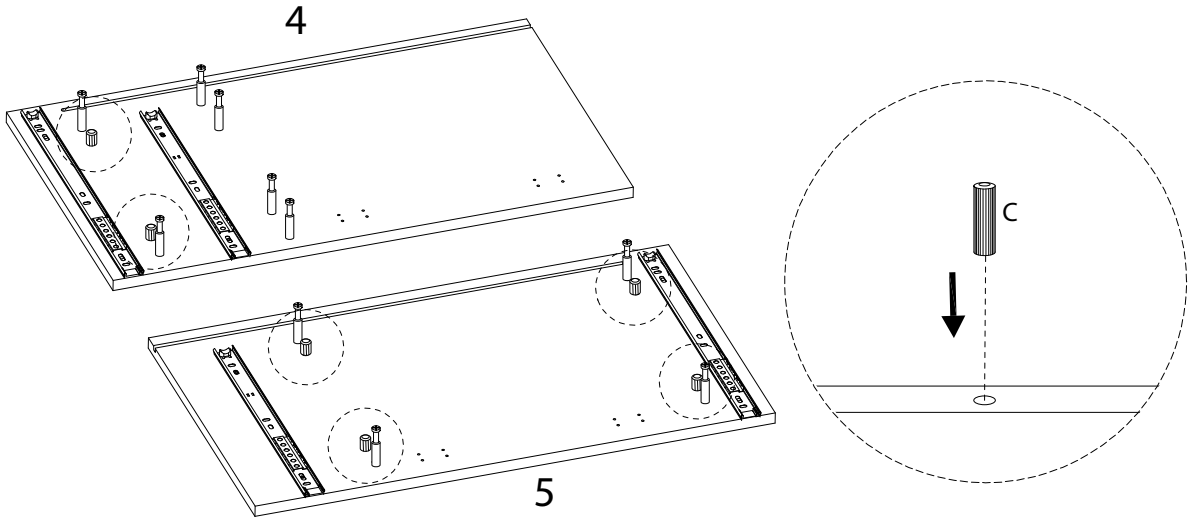


18

C



x 6

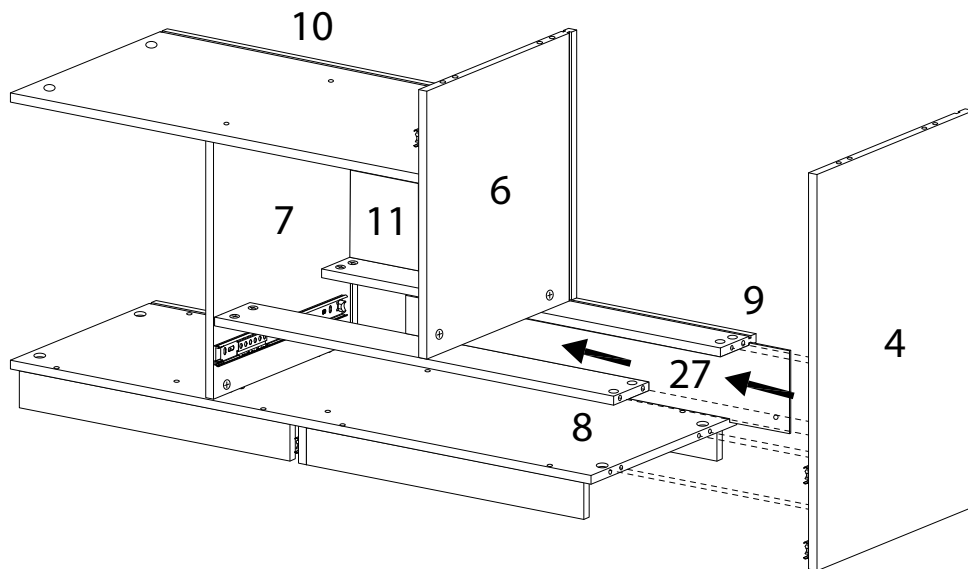


19

27



x 1

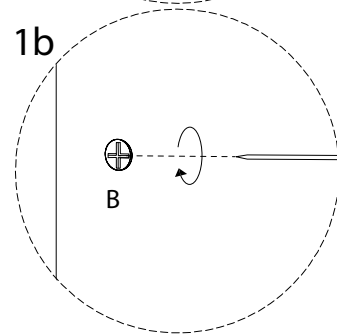
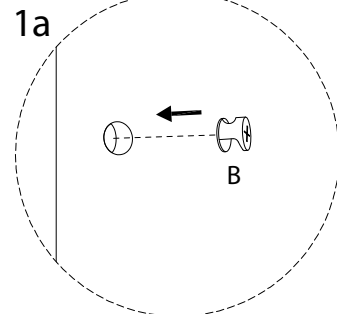
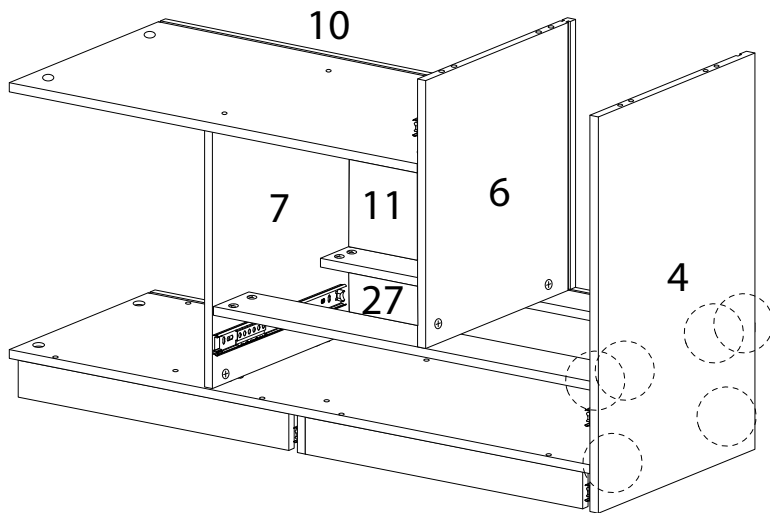


20

B

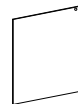


x 6

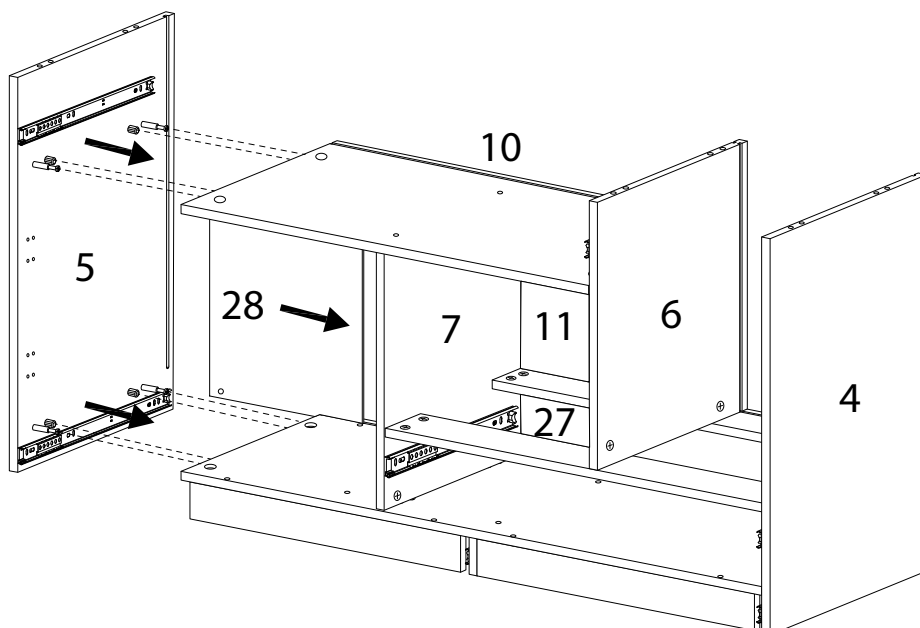


21

28



x 1



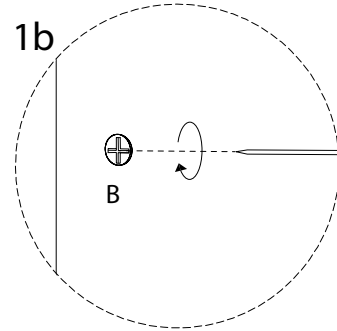
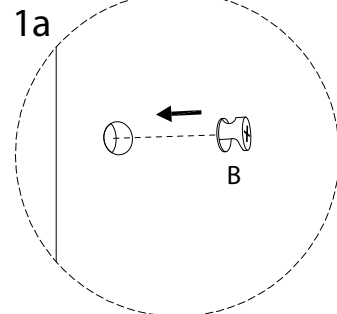
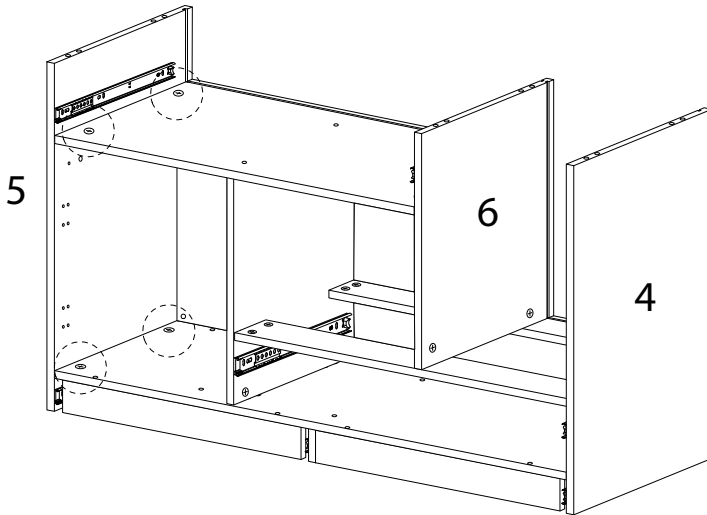


22

B

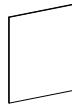


x 4



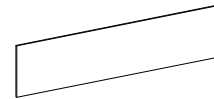
23

12

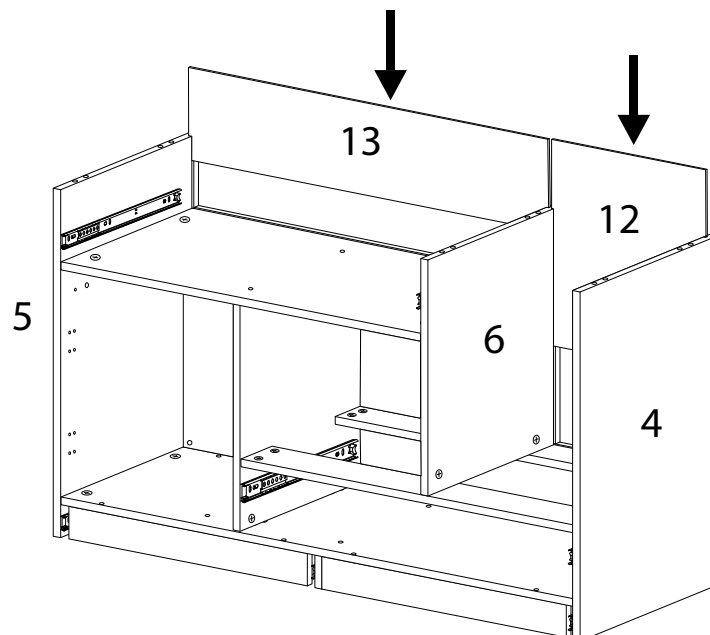


x 1

13



x 1

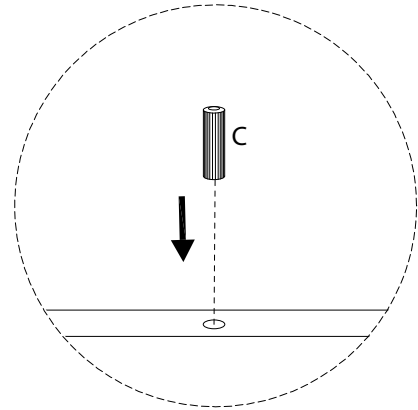
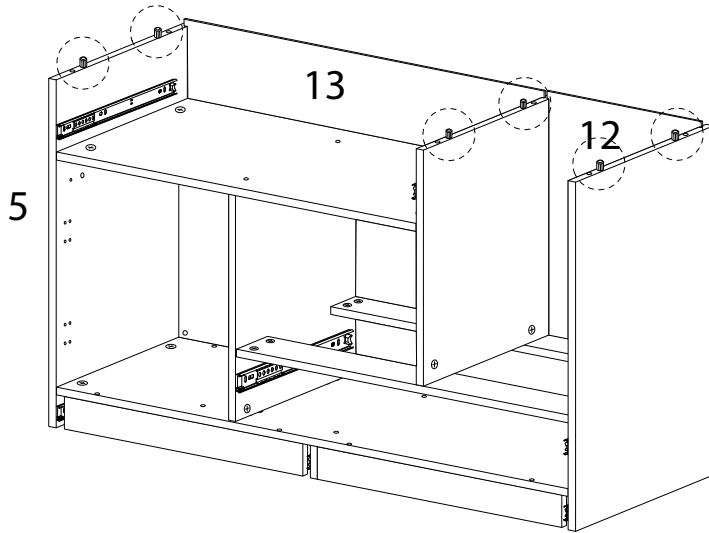


24

C



x 6



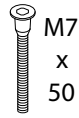
25

3



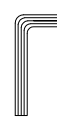
x 1

D

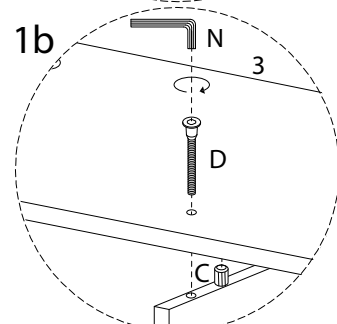
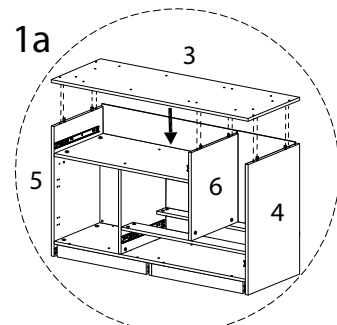
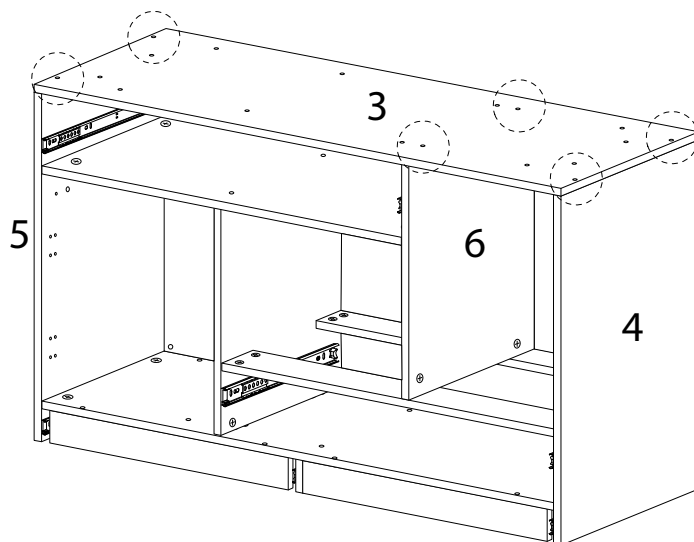


x 6

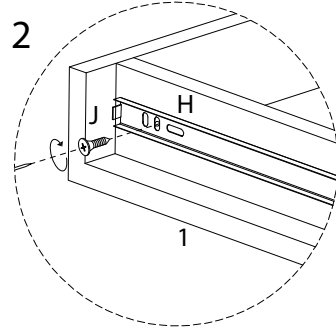
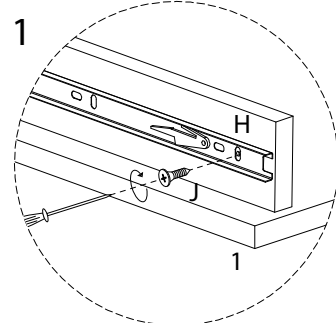
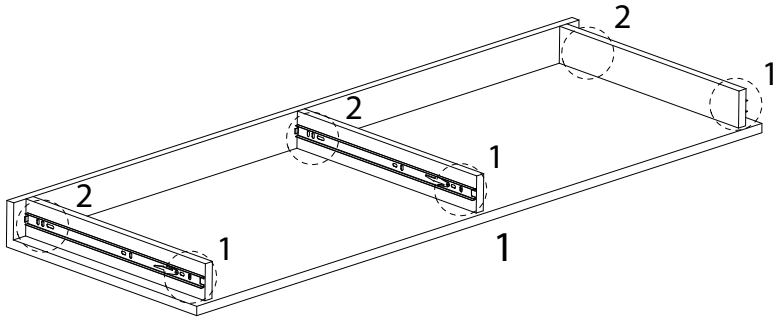
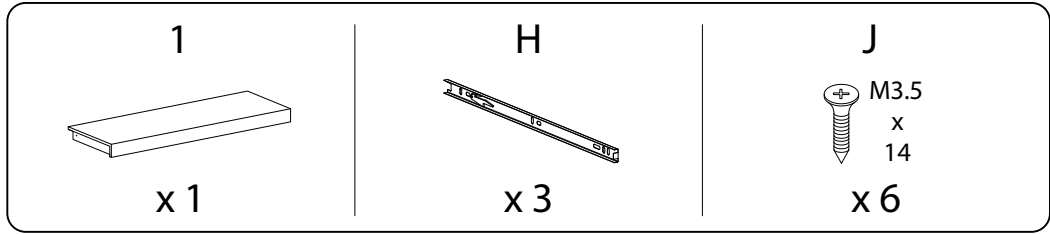
N



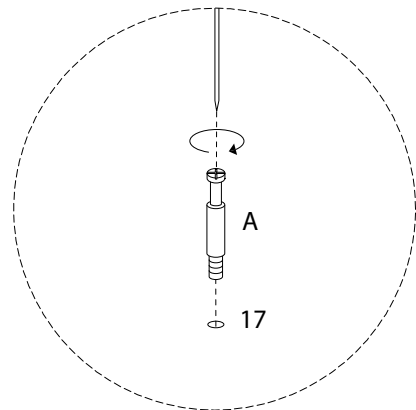
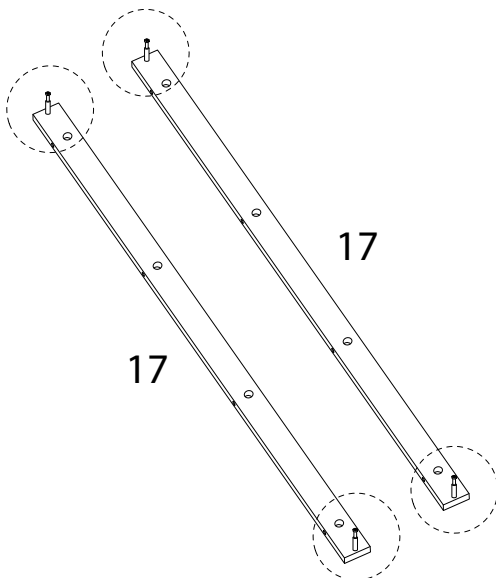
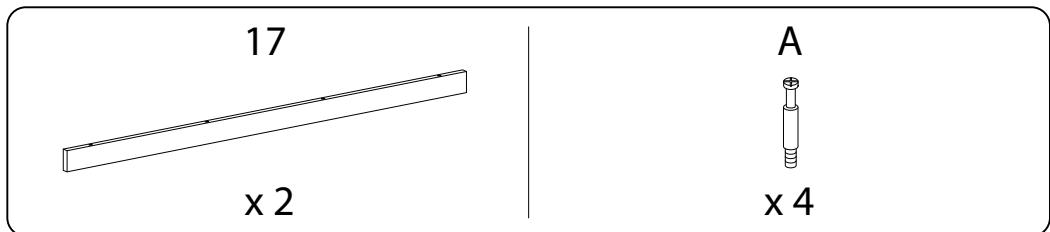
x 1



26

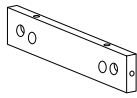


27



28

18

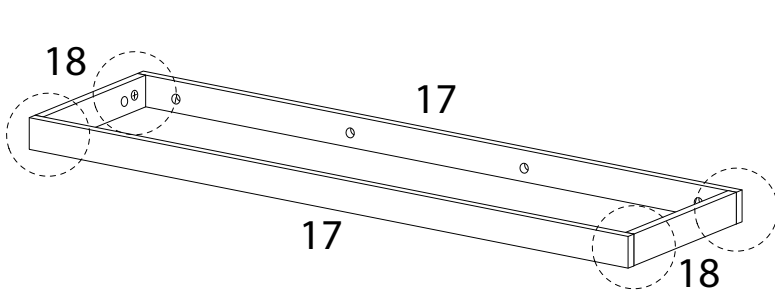


x 2

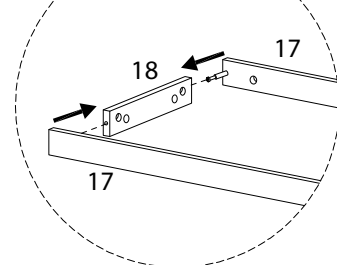
B



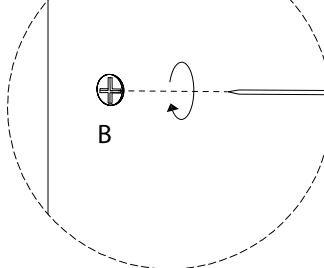
x 4



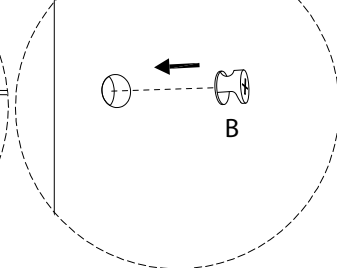
1a



1c



1b

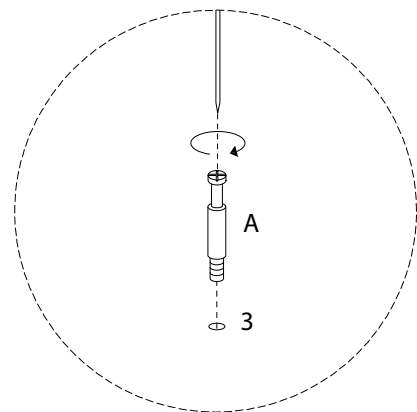
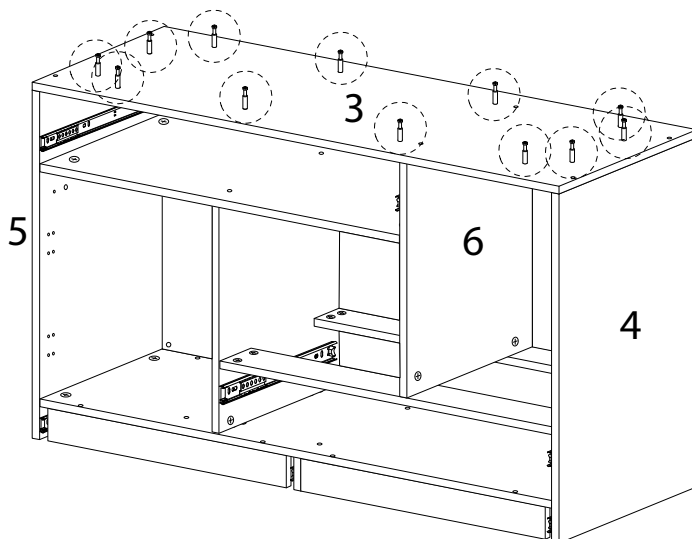


29

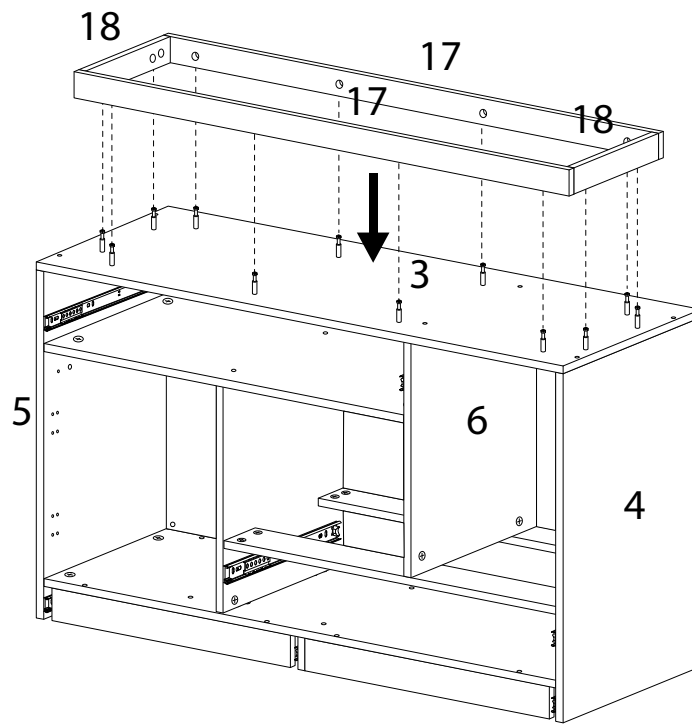
A



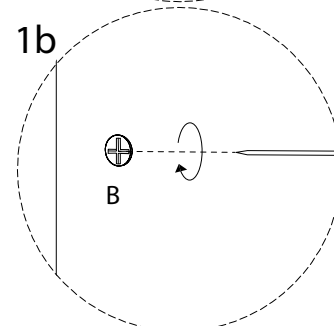
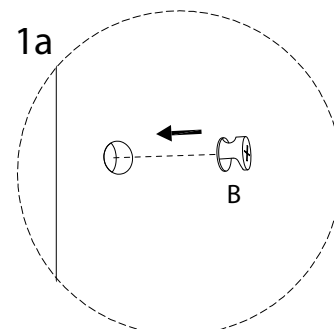
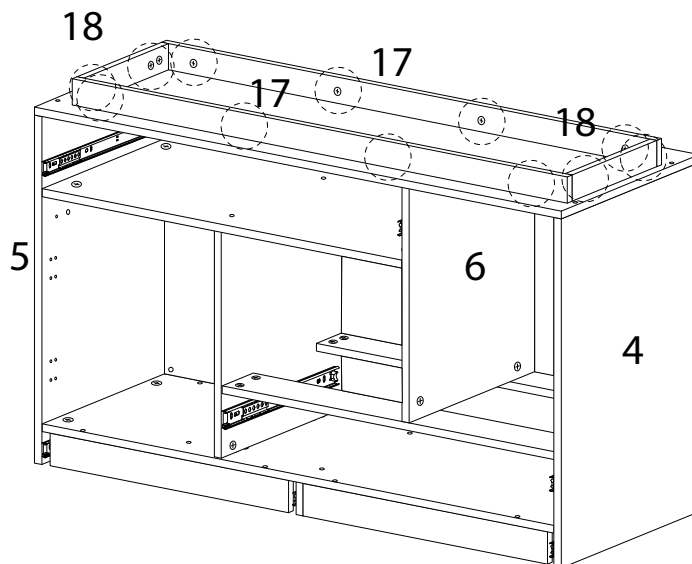
x 12



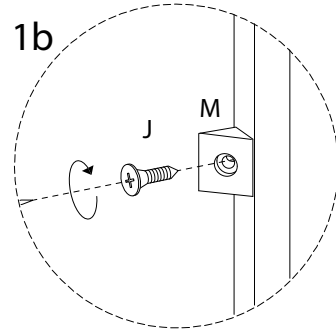
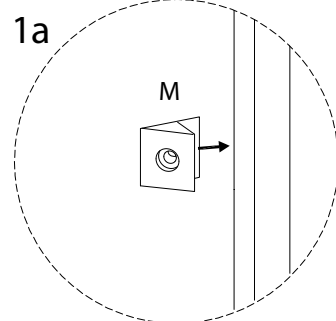
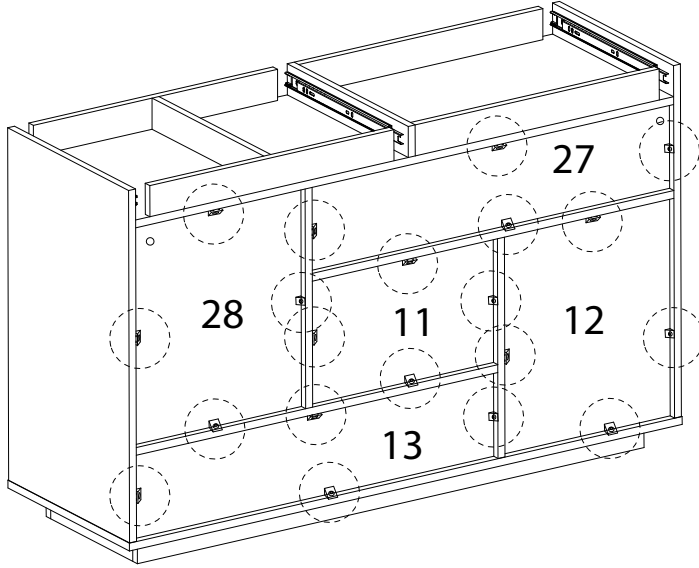
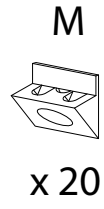
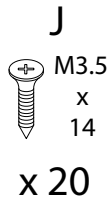
30



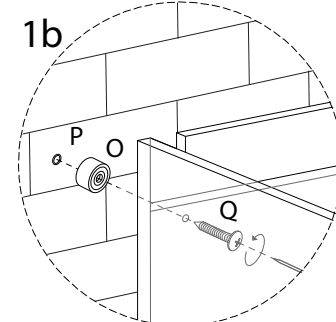
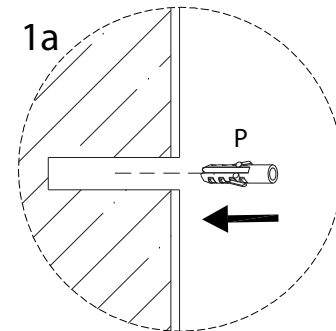
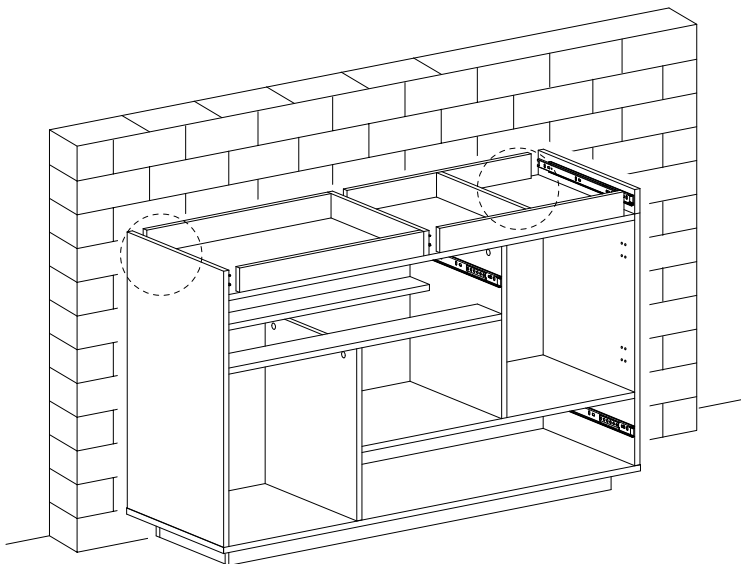
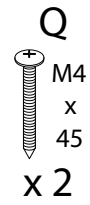
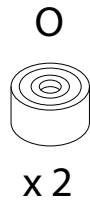
31



32

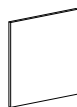


33



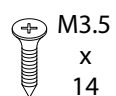
34

19



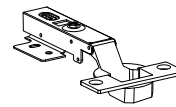
x 2

J

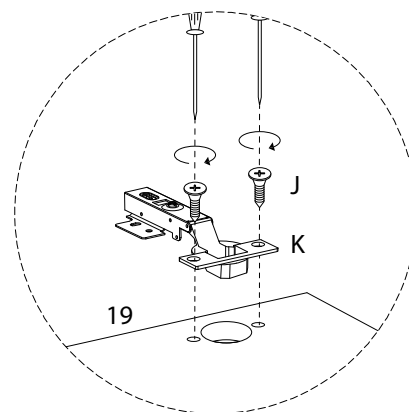
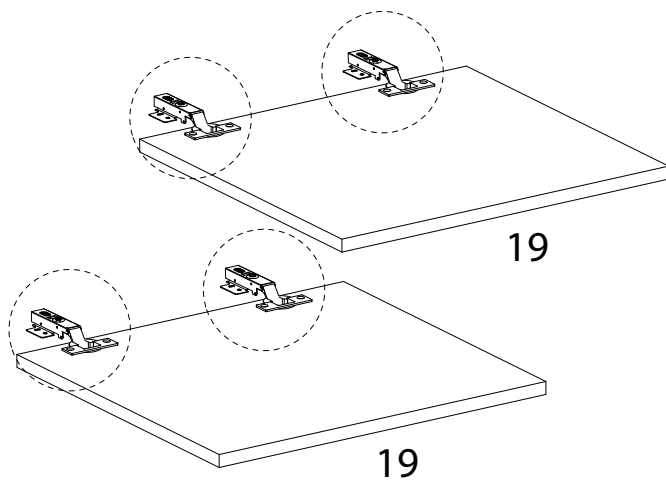


x 8

K



x 4

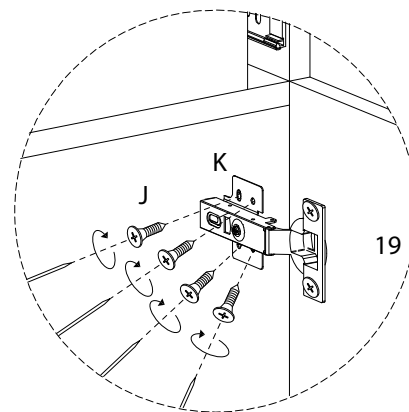
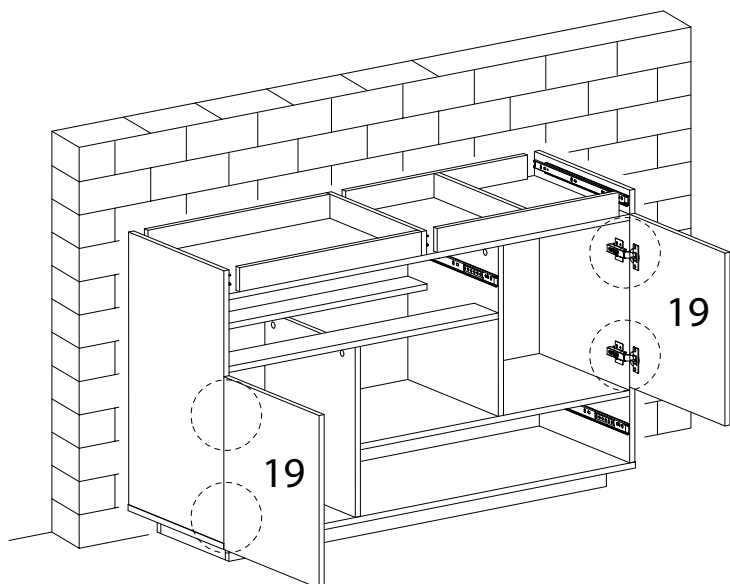


35

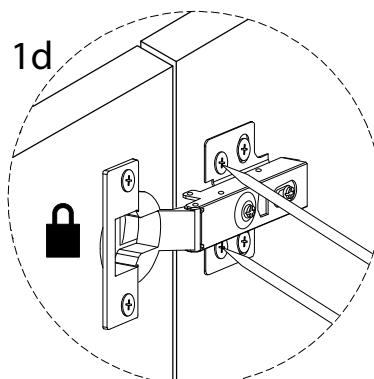
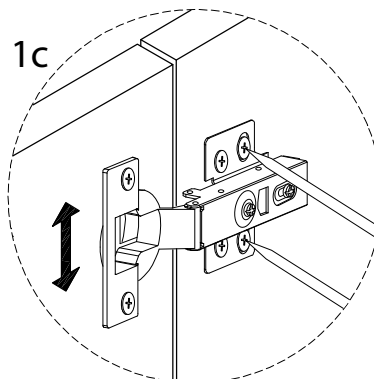
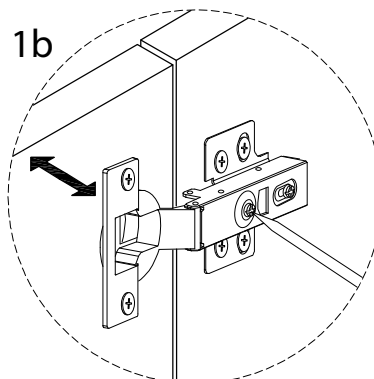
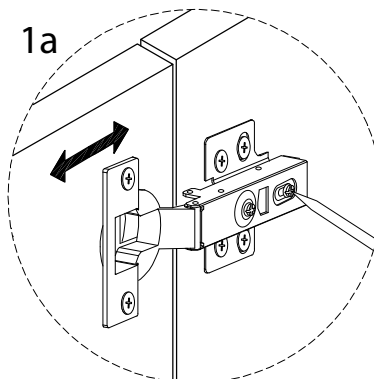
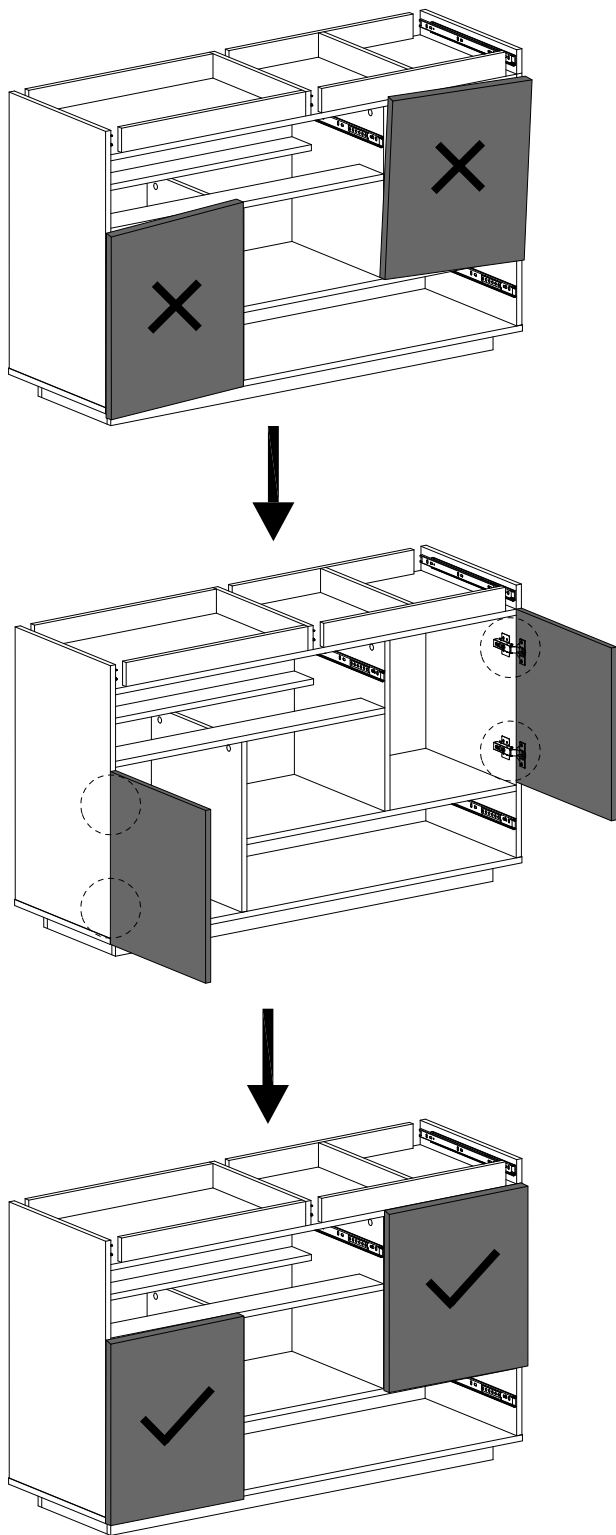
J



x 16

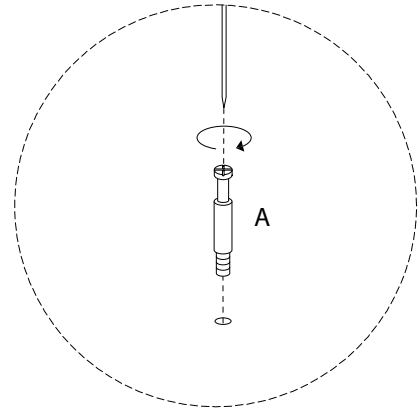
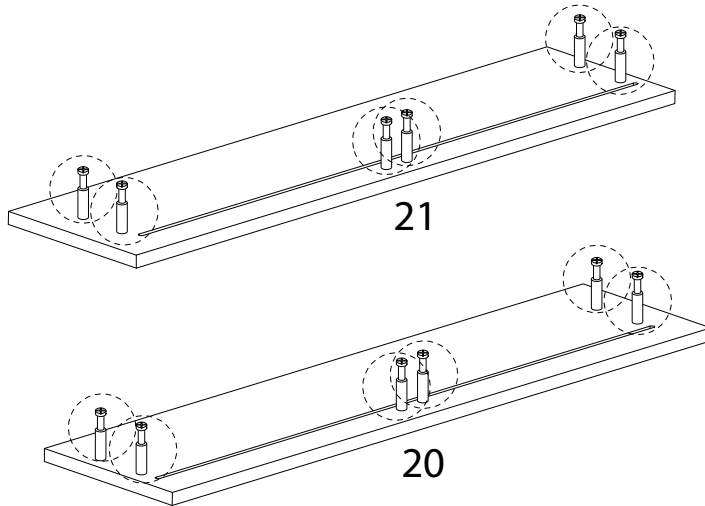
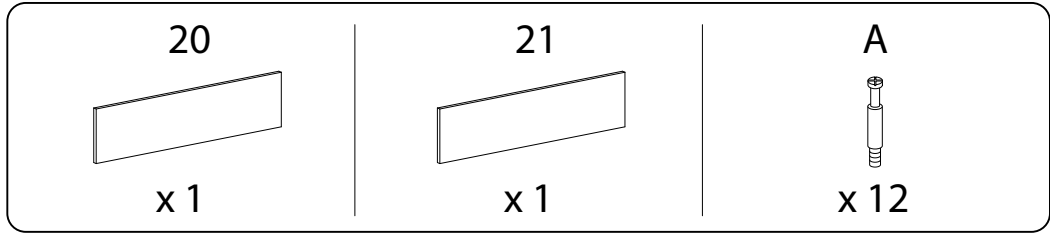


!

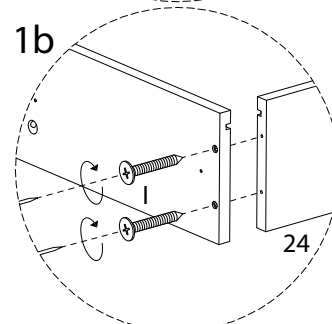
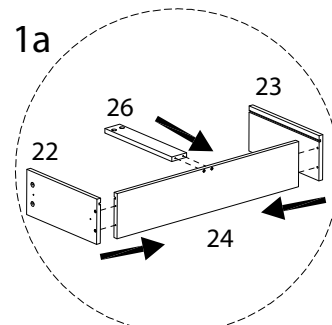
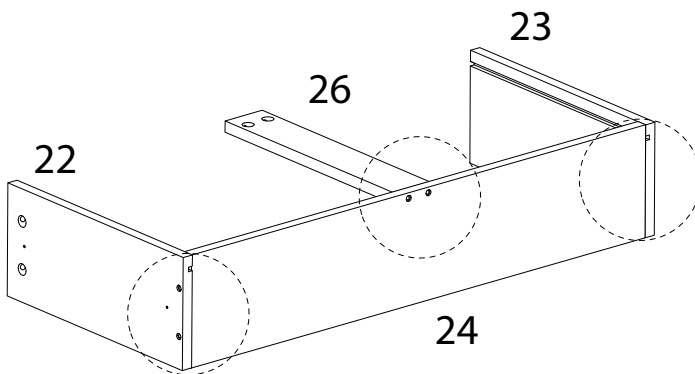
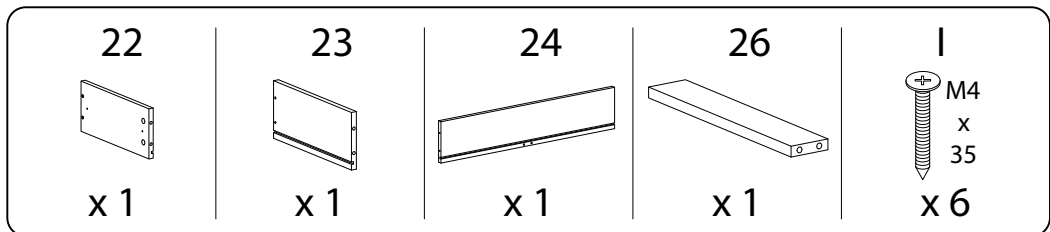




36

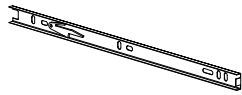


37 x 2



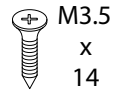
38 x 2

F



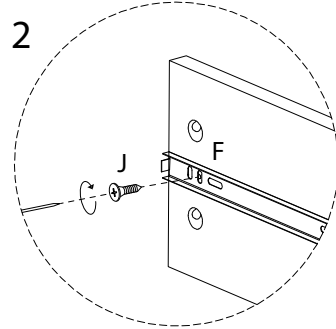
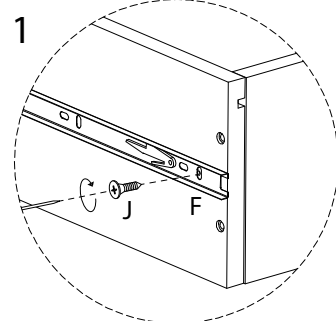
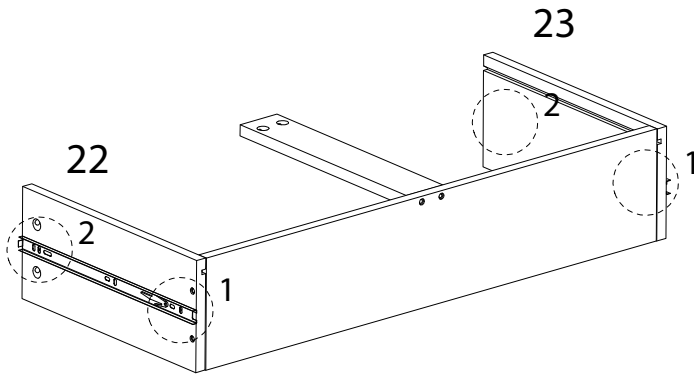
x 2

J



M3.5  
x  
14

x 4

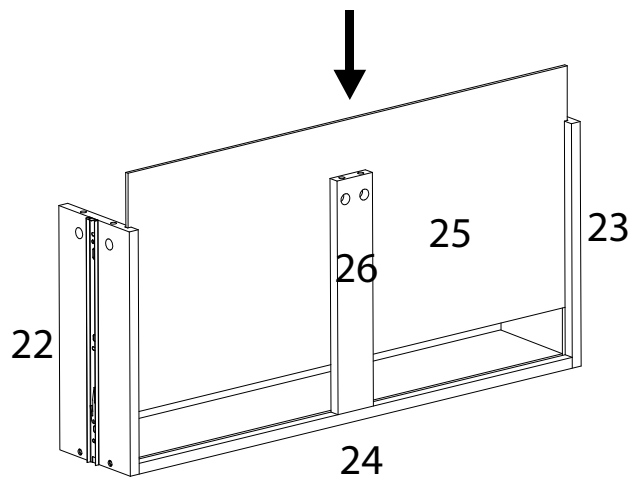


39 x 2

25



x 1

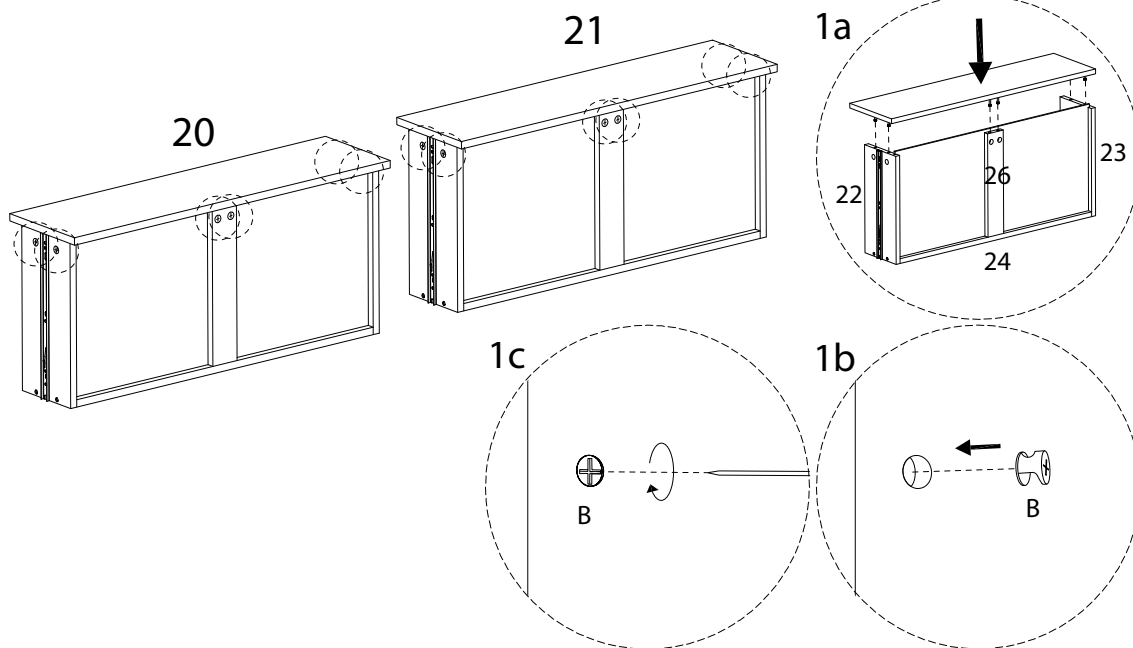


40

B



x 12

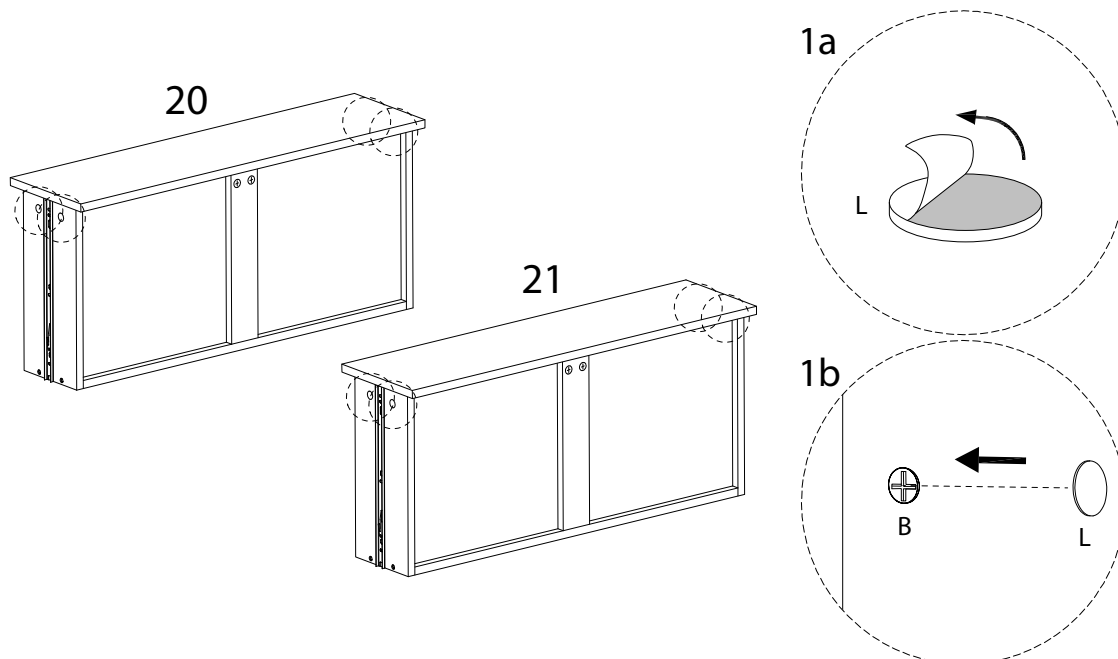


41

L

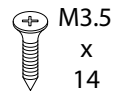


x 8

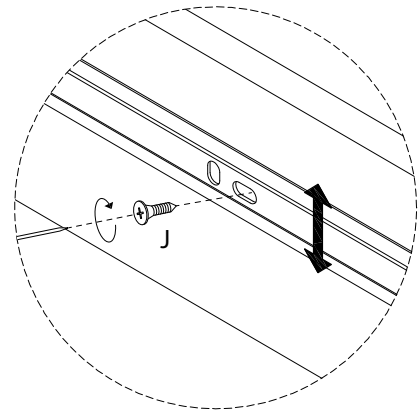
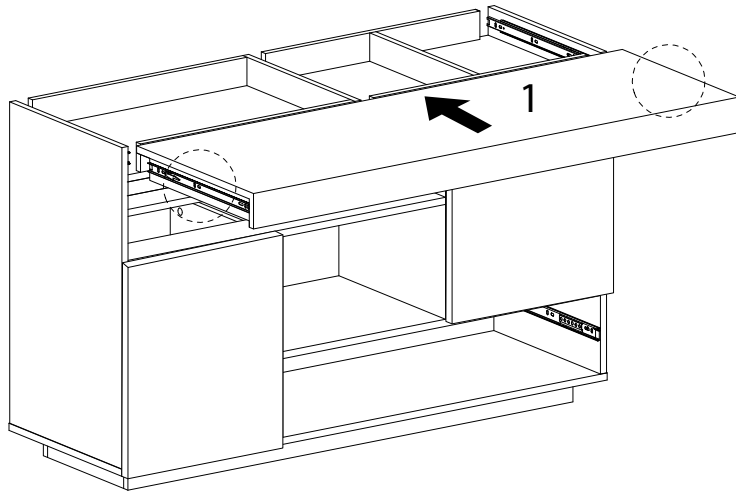


42

J



x 2



43

