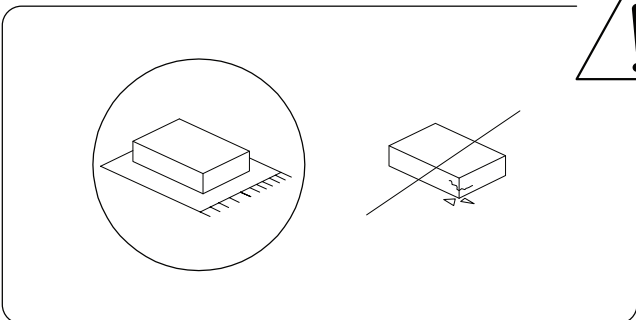
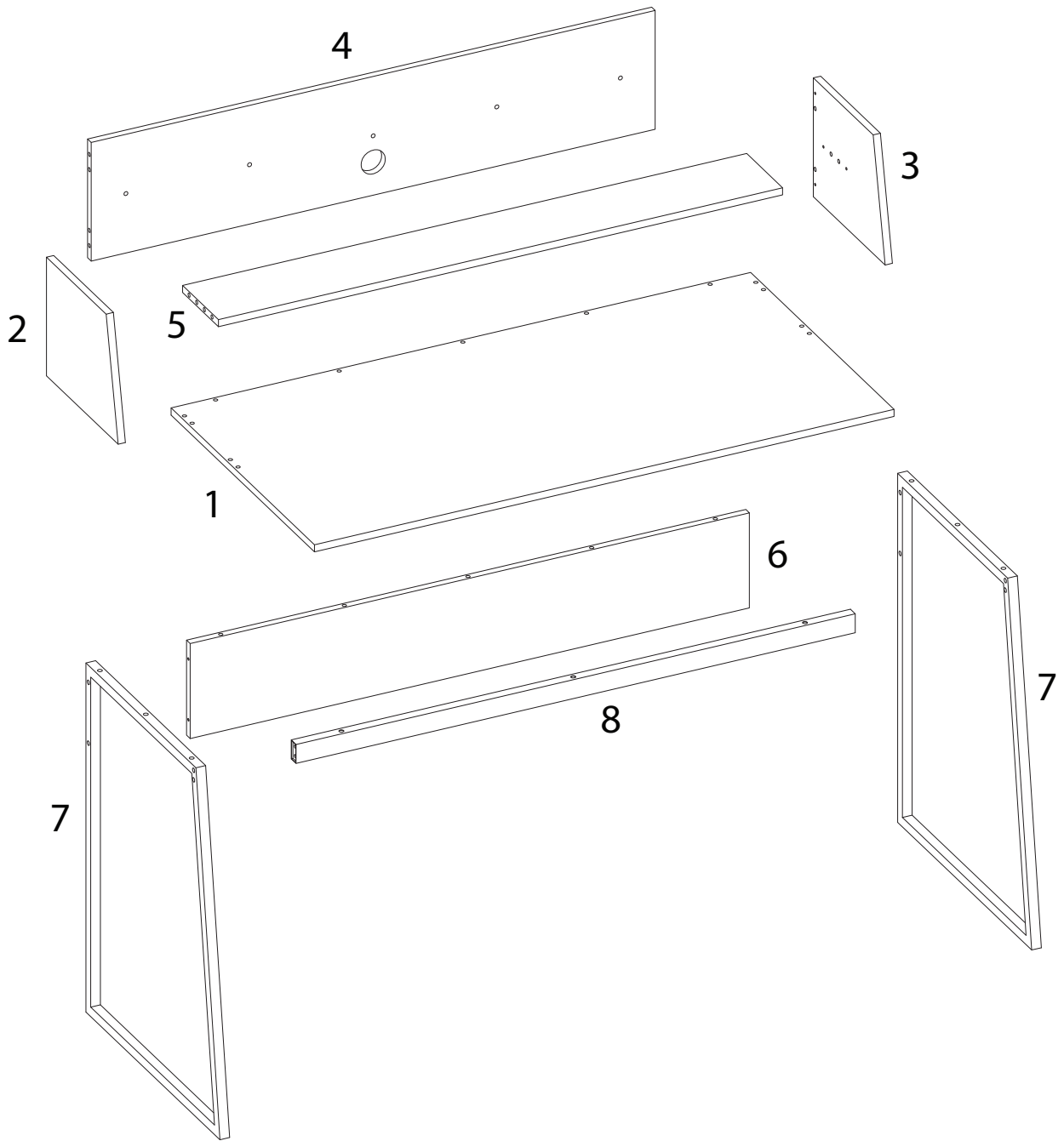


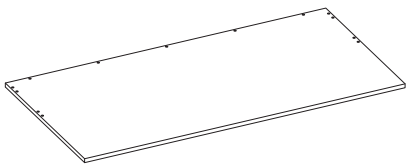
30'



2

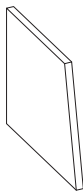


1



x 1

2



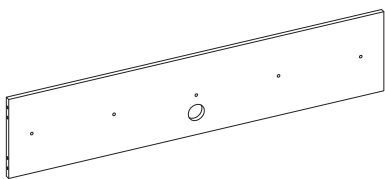
x 1

3



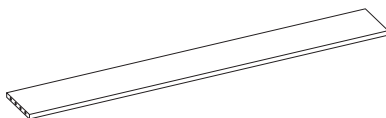
x 1

4



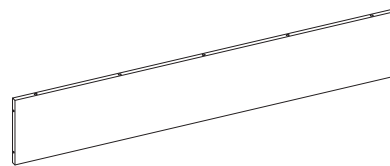
x 1

5



x 1

6



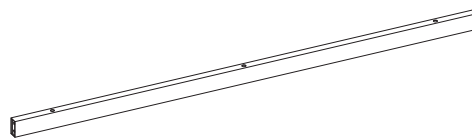
x 1

7



x 2

8



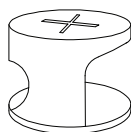
x 1

A



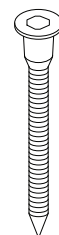
x 13

B



x 13

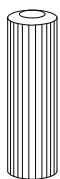
C



M7  
x  
50

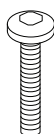
x 14

D



x 16

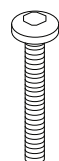
E



M6  
x  
30

x 6

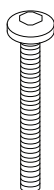
F



M6  
x  
40

x 4

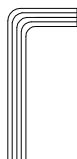
G



M6  
x  
50

x 3

H



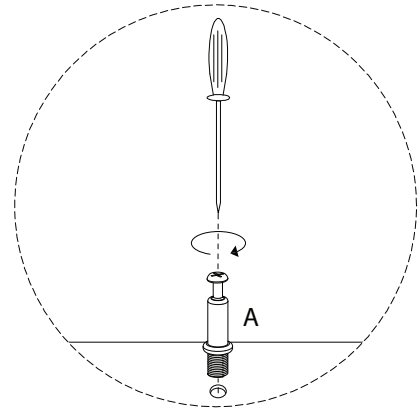
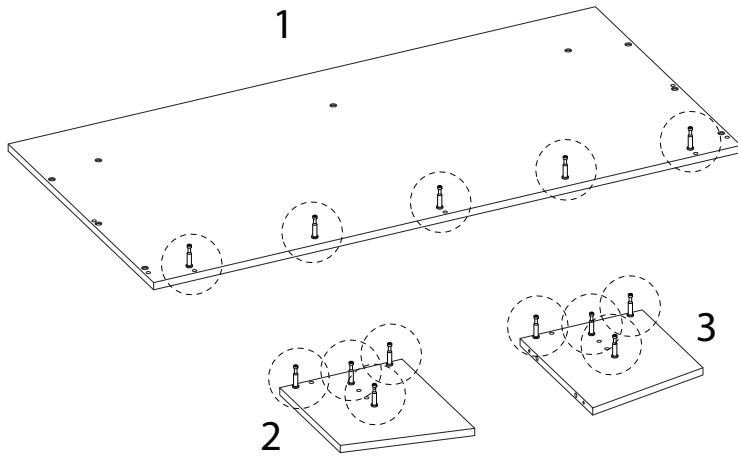
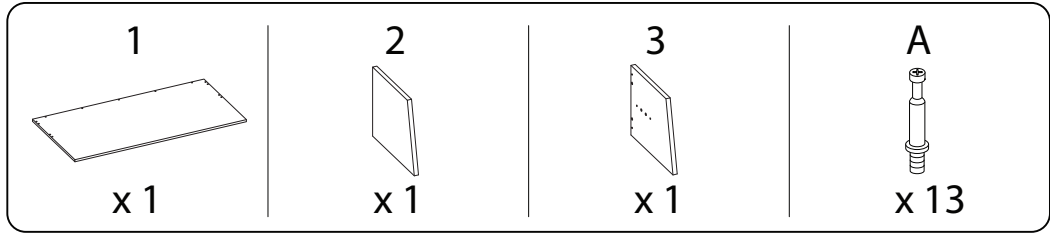
x 1

I

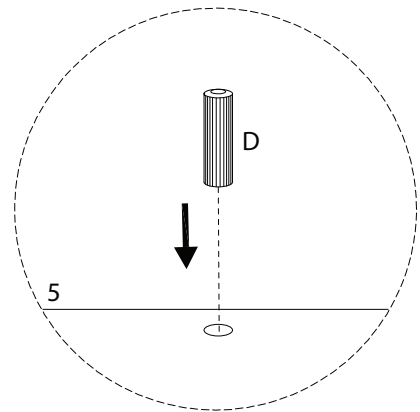
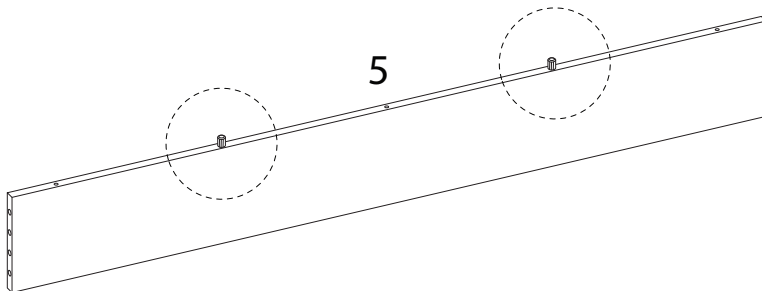
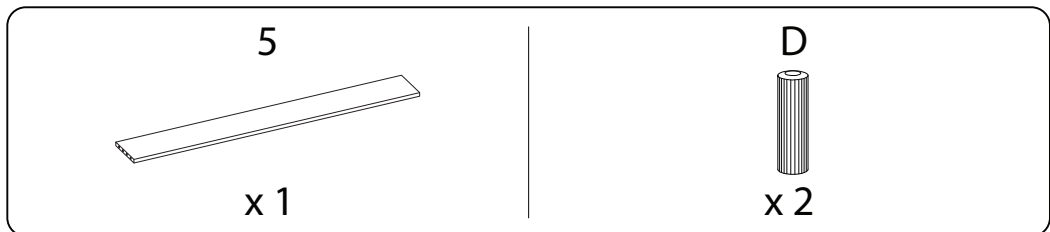


x 4

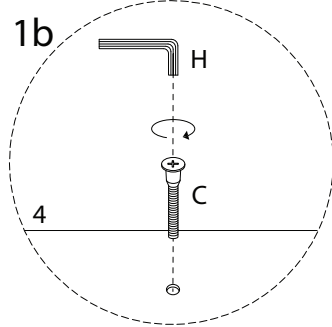
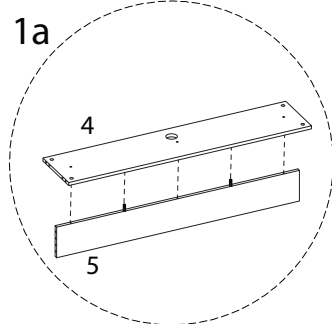
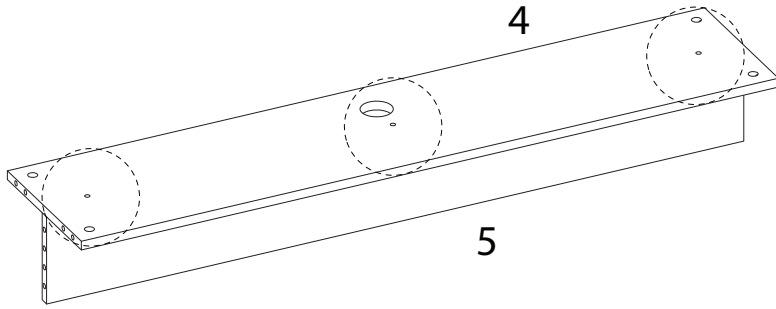
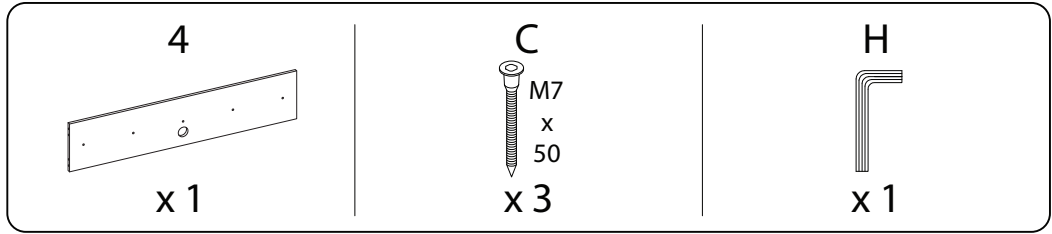
1



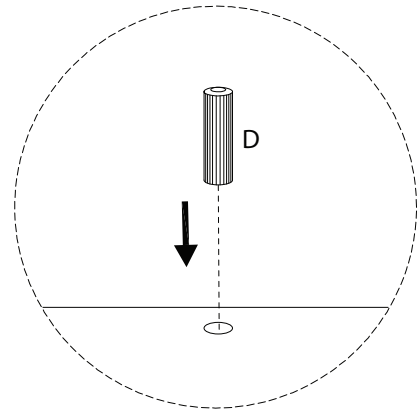
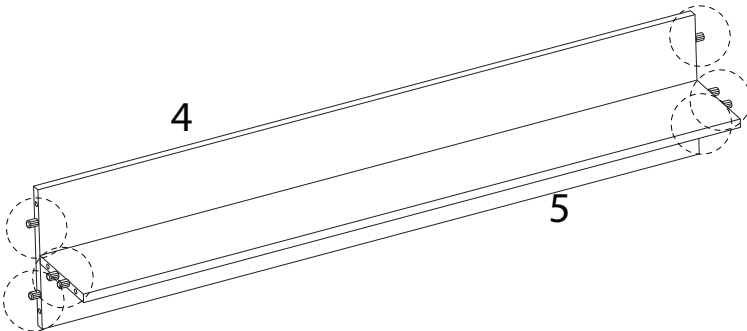
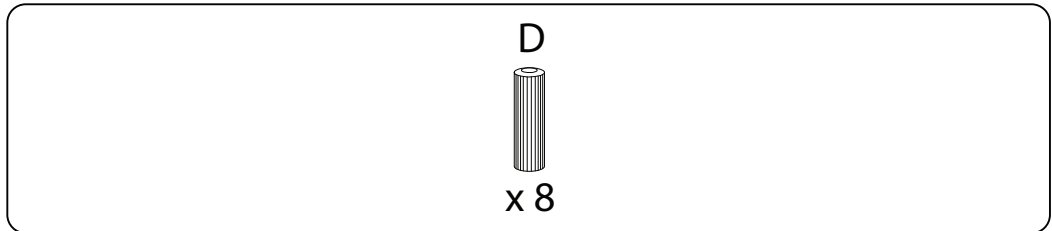
2



3



4

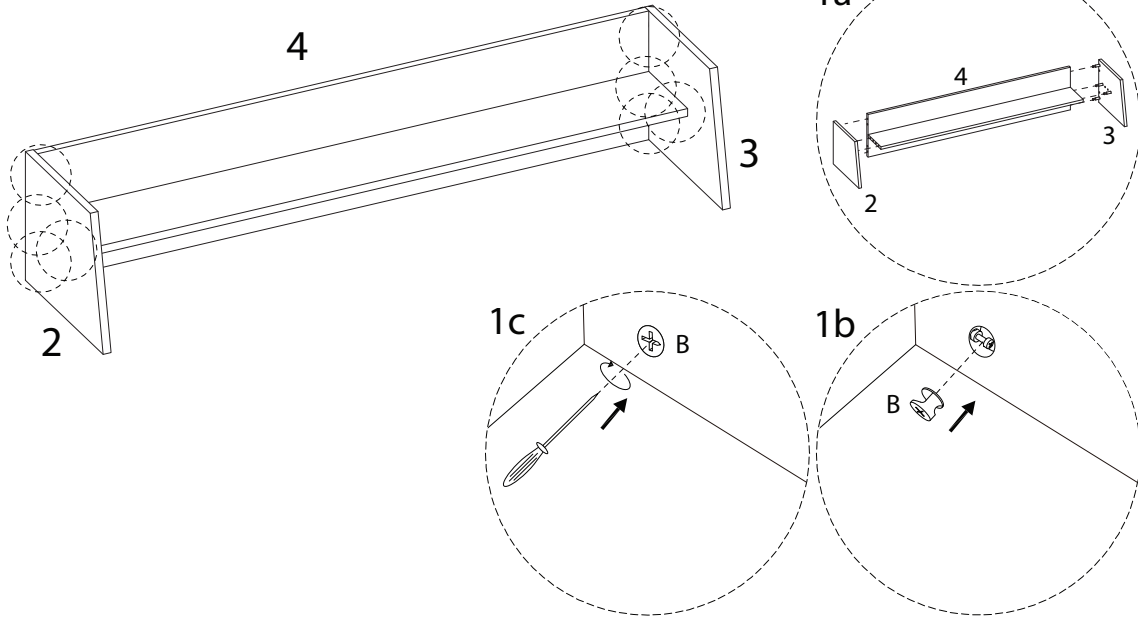


5

B

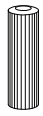


x 8

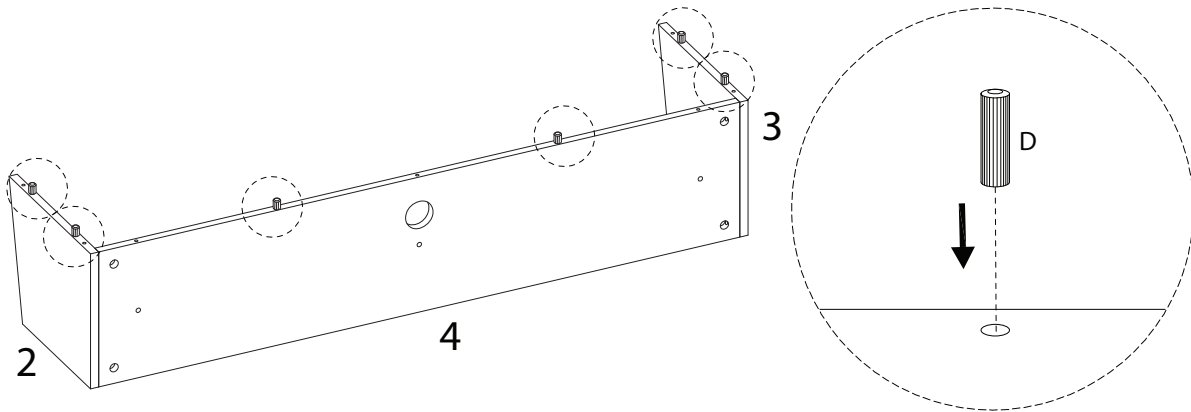


6

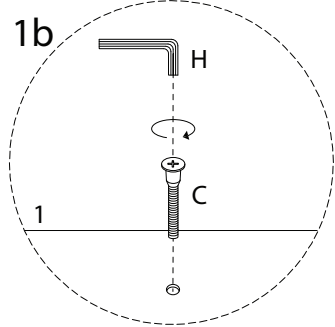
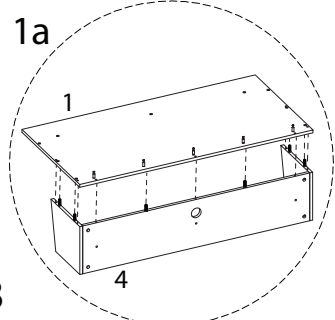
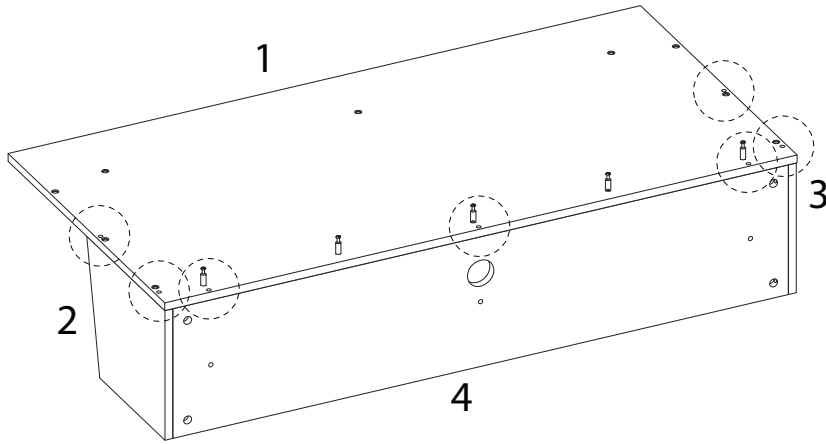
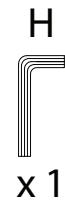
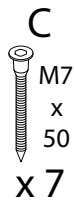
D



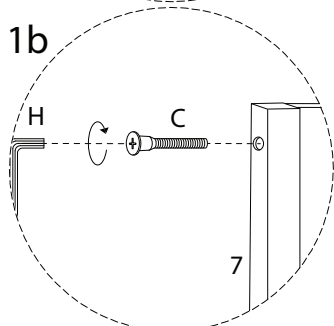
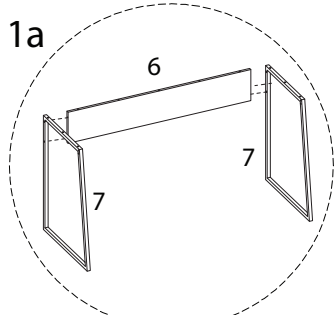
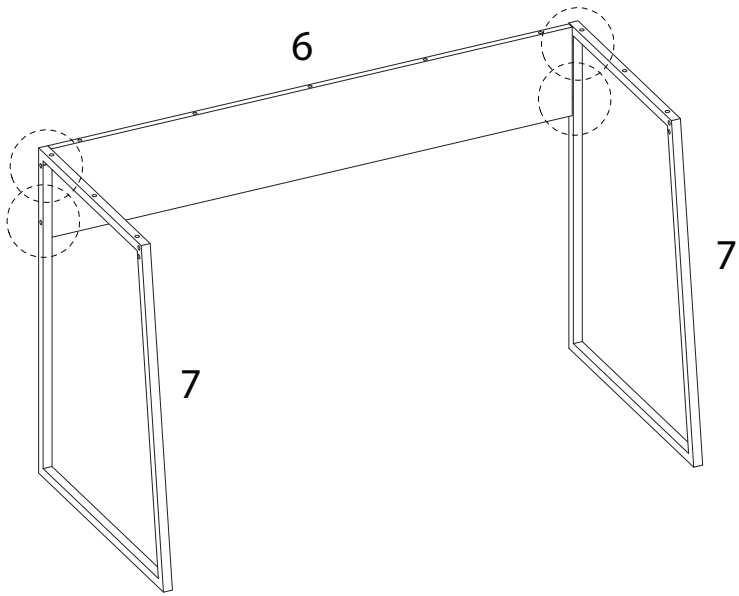
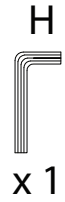
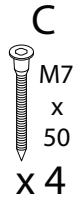
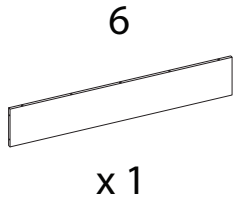
x 6



7

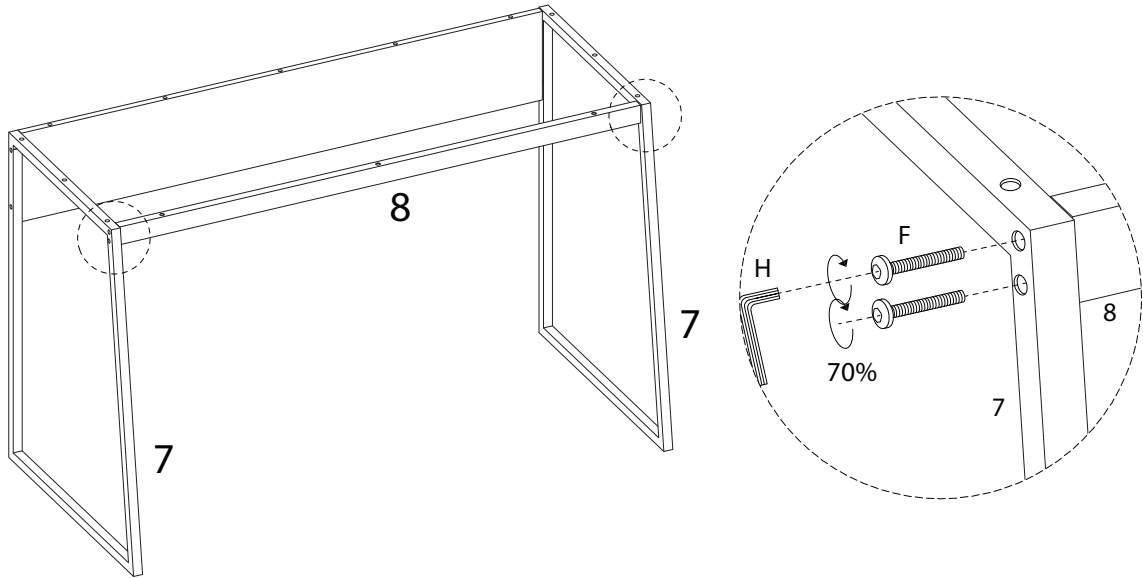
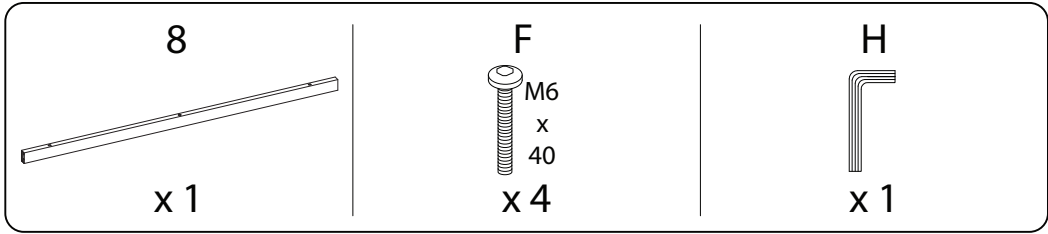


8

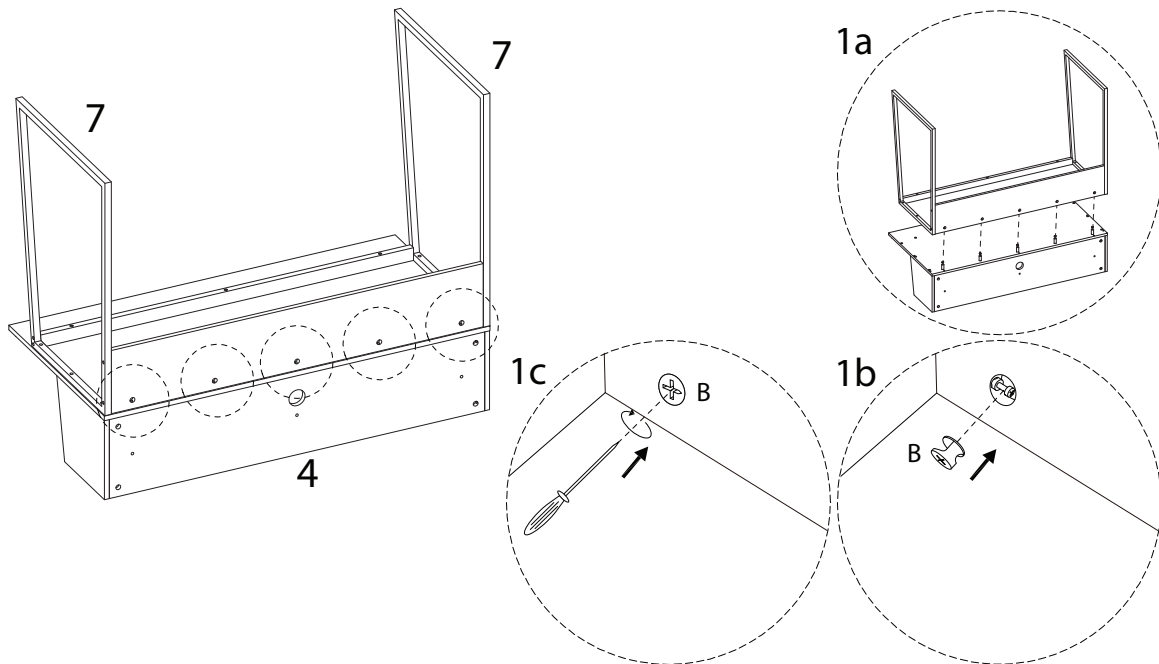
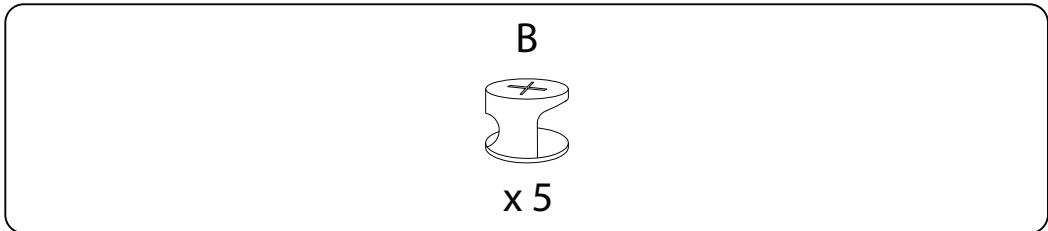




9



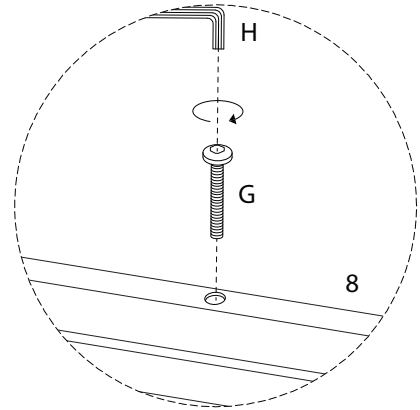
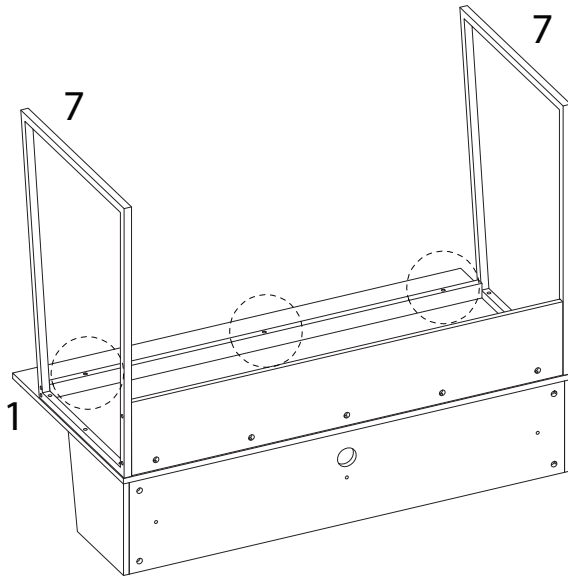
10



11

G  
M6  
x  
50  
x 3

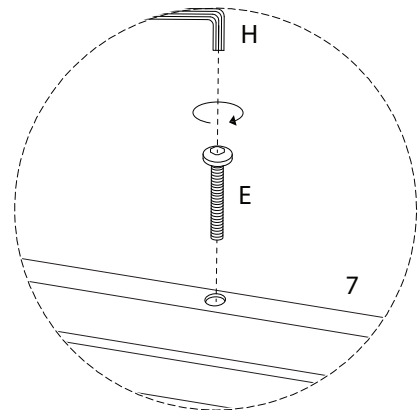
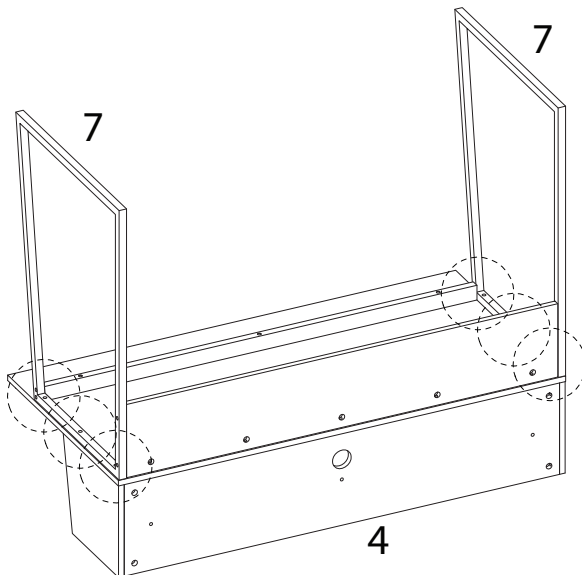
H  
x 1



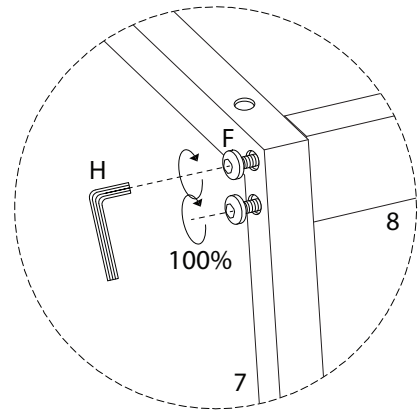
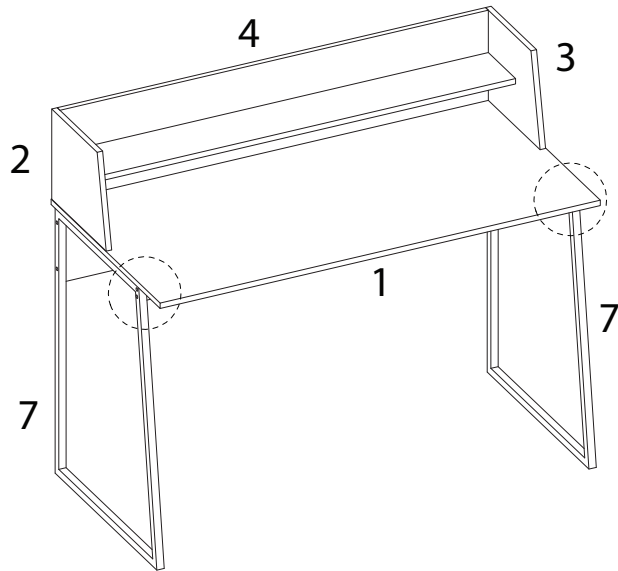
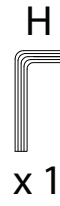
12

E  
M6  
x  
30  
x 6

H  
x 1



13



14

