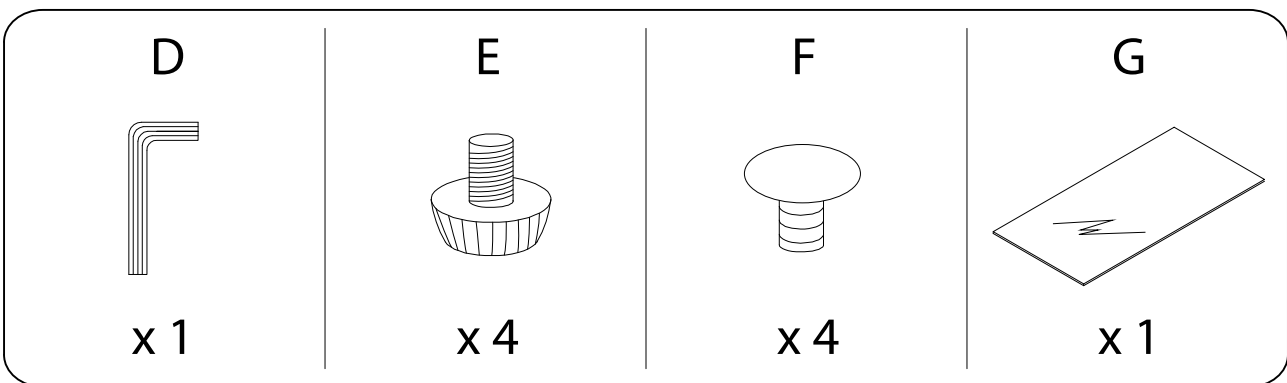
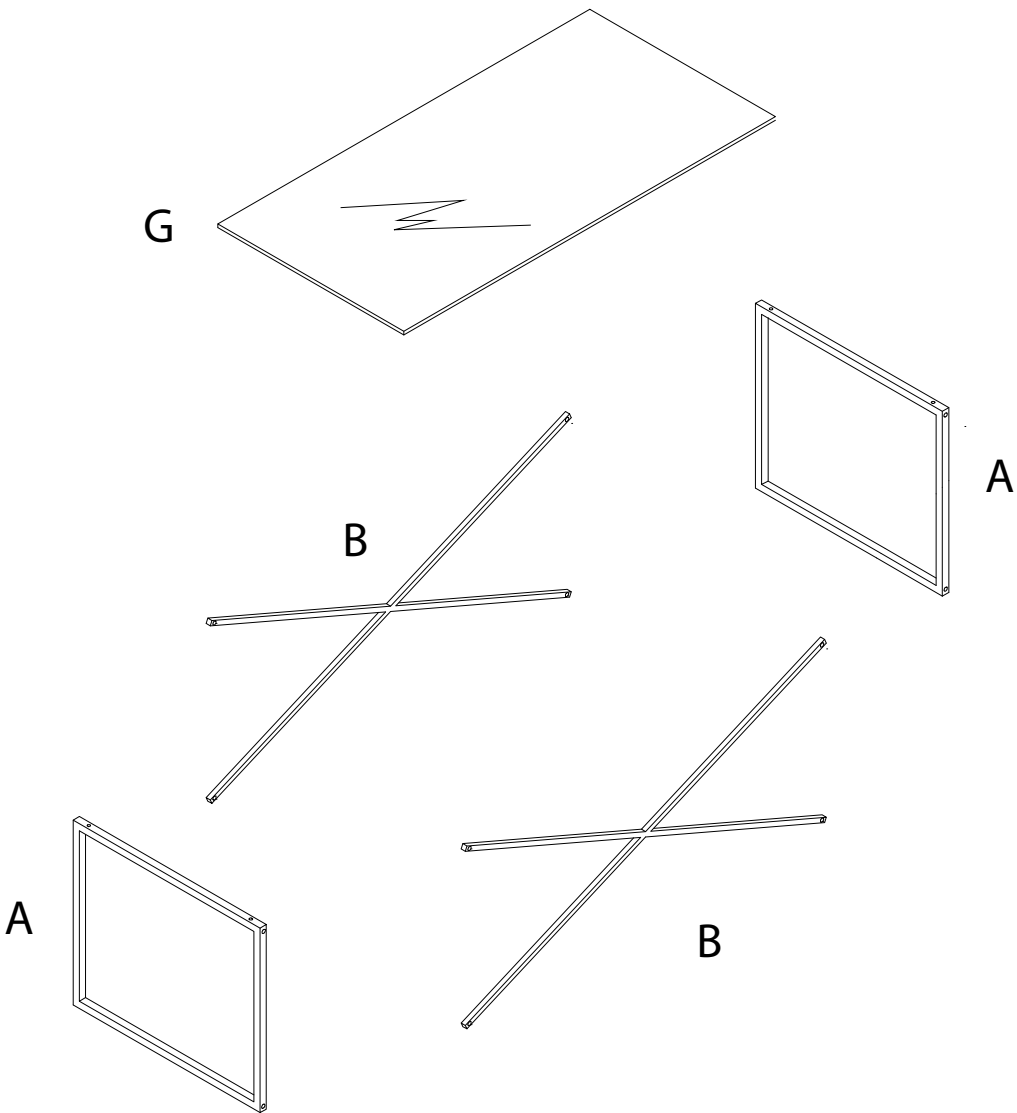
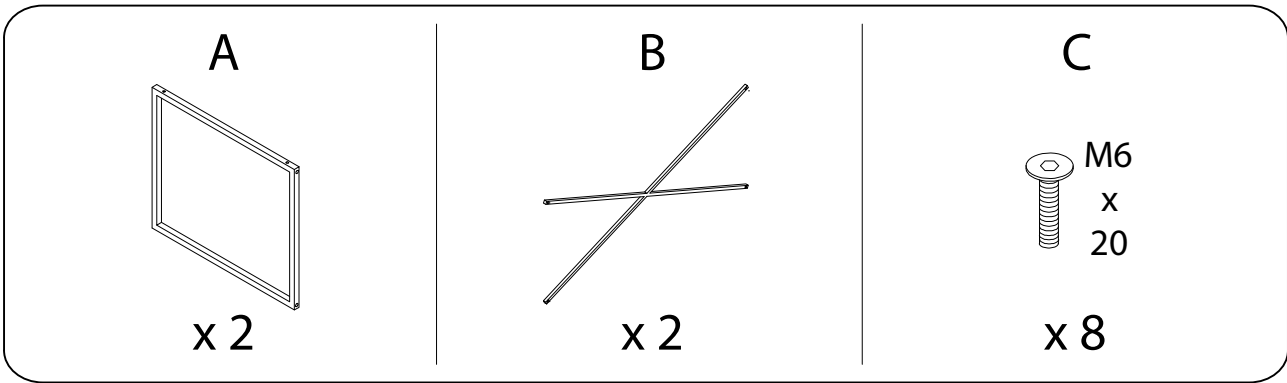
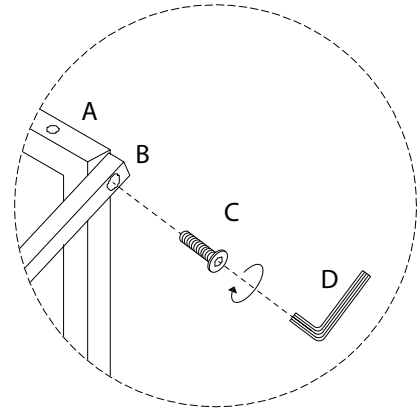
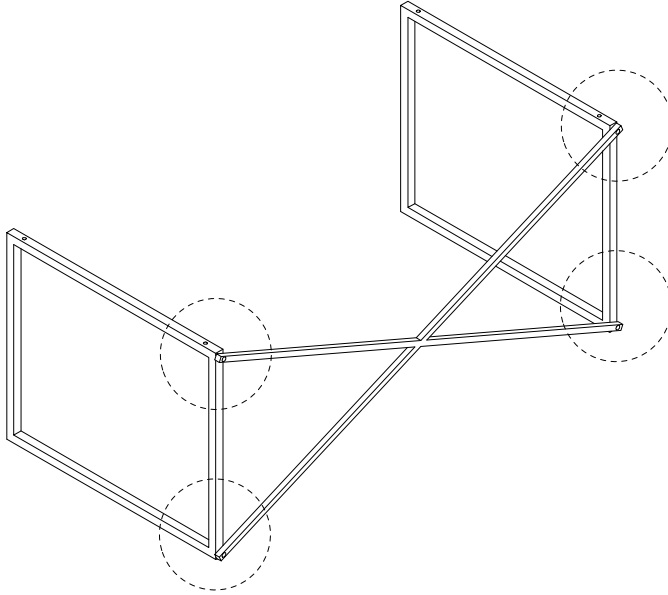
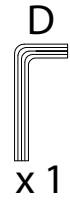
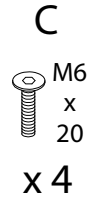
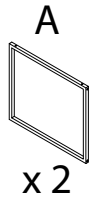


Diagram illustrating assembly instructions and safety warnings:

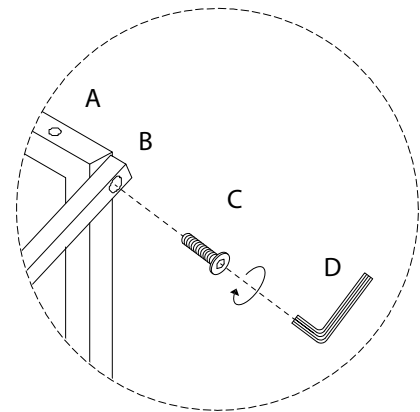
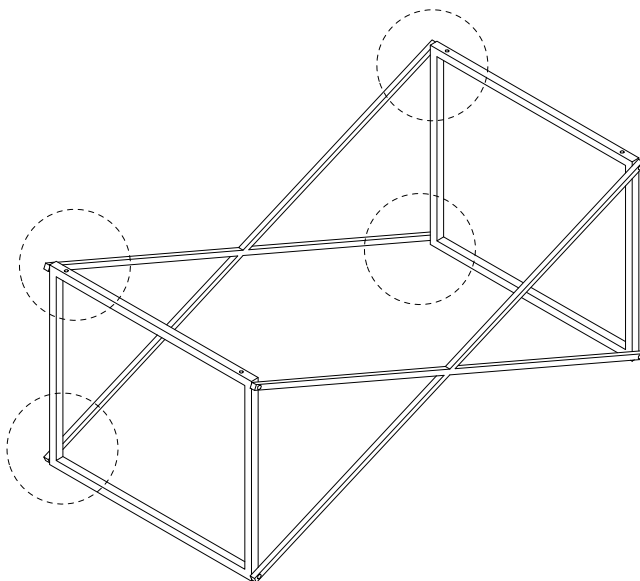
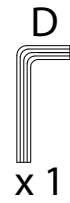
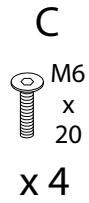
- Top Section:** Shows an L-shaped bracket and a power drill with a slash through it, indicating that a power drill should not be used. A warning triangle with an exclamation mark is positioned to the right. Below this is a clock icon with the text "30'", indicating a 30-minute time limit.
- Bottom Section:** Shows a rectangular block being placed on a surface and another block being inserted into a slot. A warning triangle with an exclamation mark is positioned to the right. Below this is a person icon with the text "1", indicating that one person is required for this step.



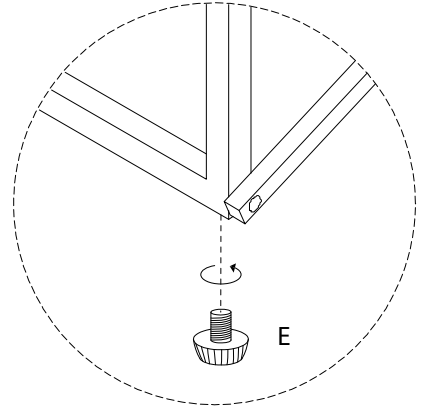
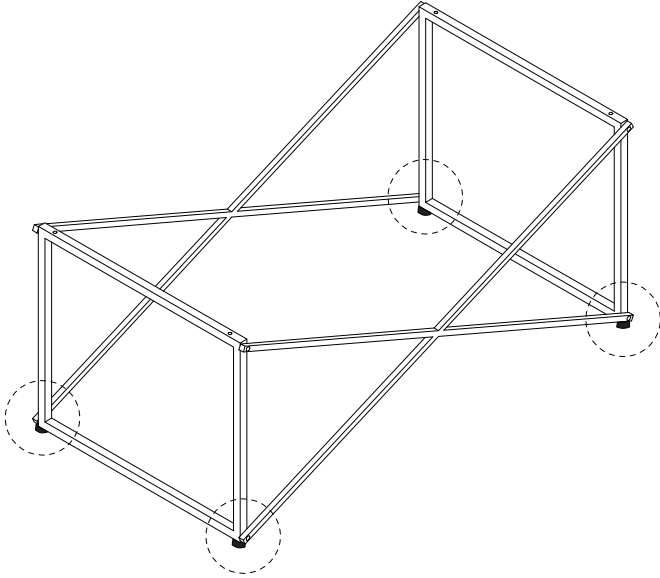
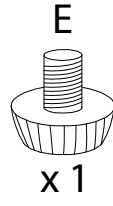
1



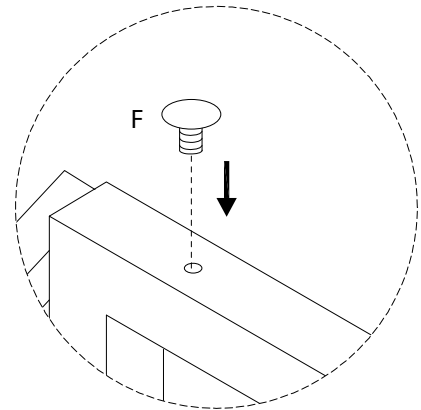
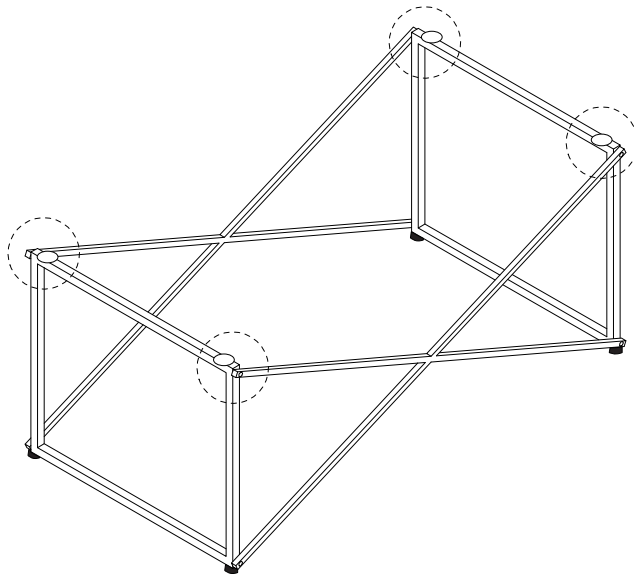
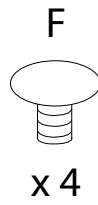
2



3



4



5

