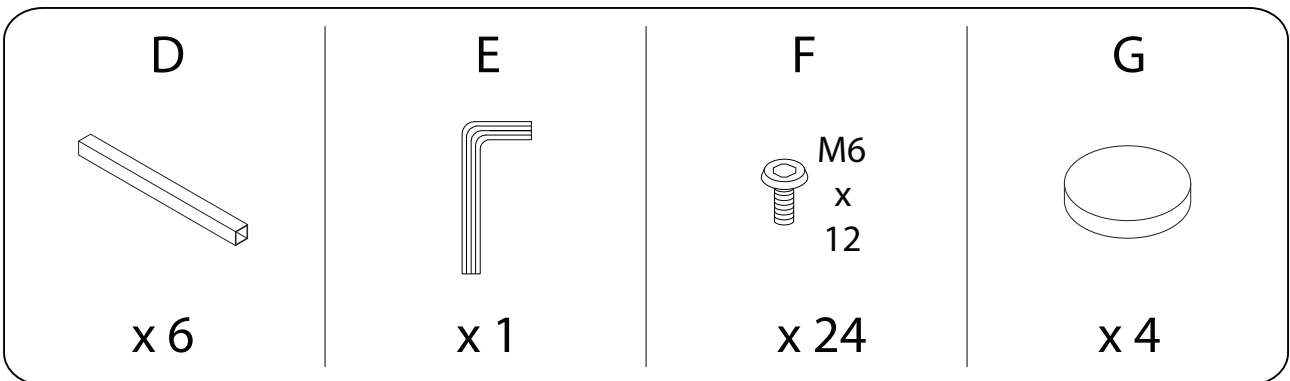
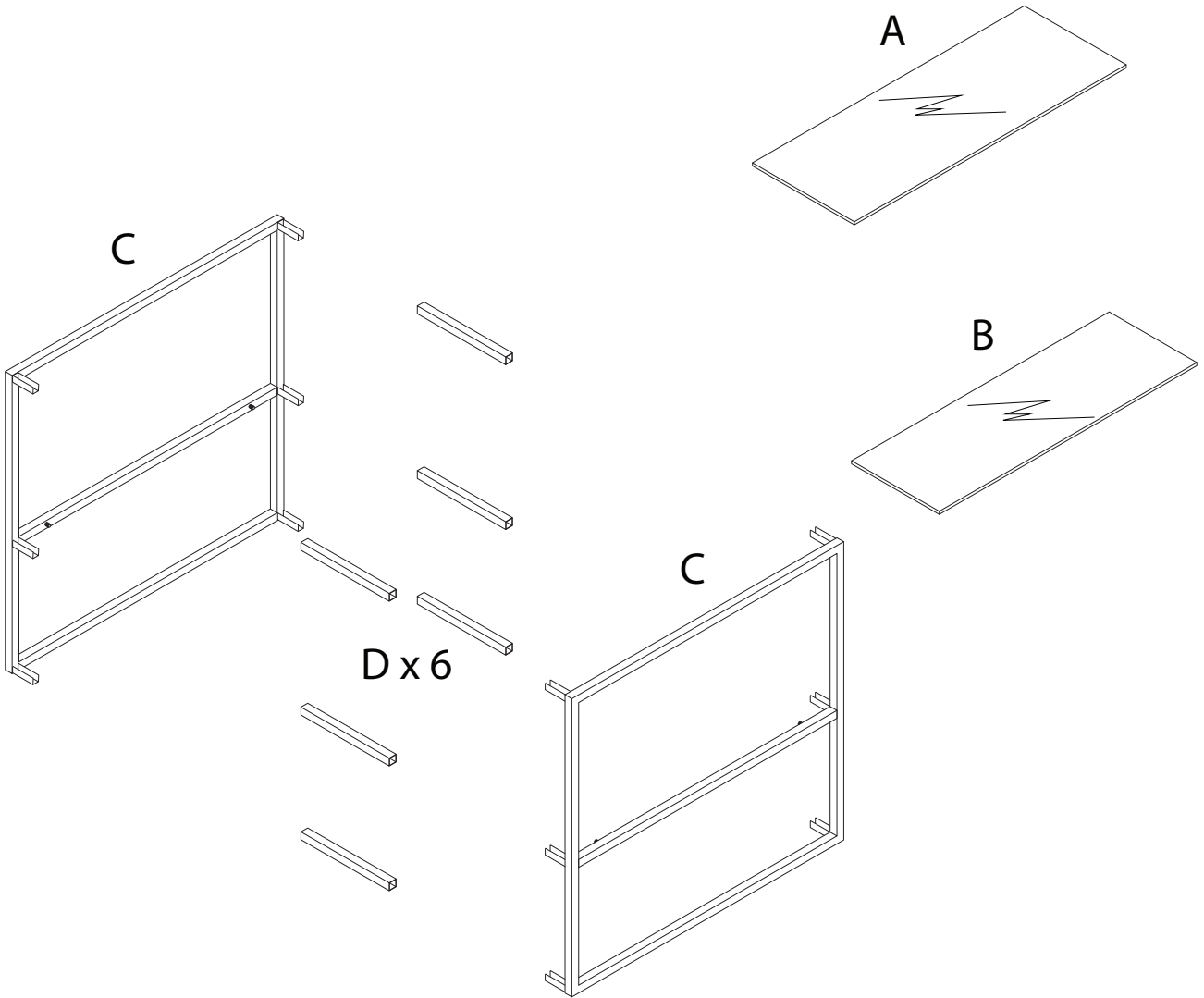
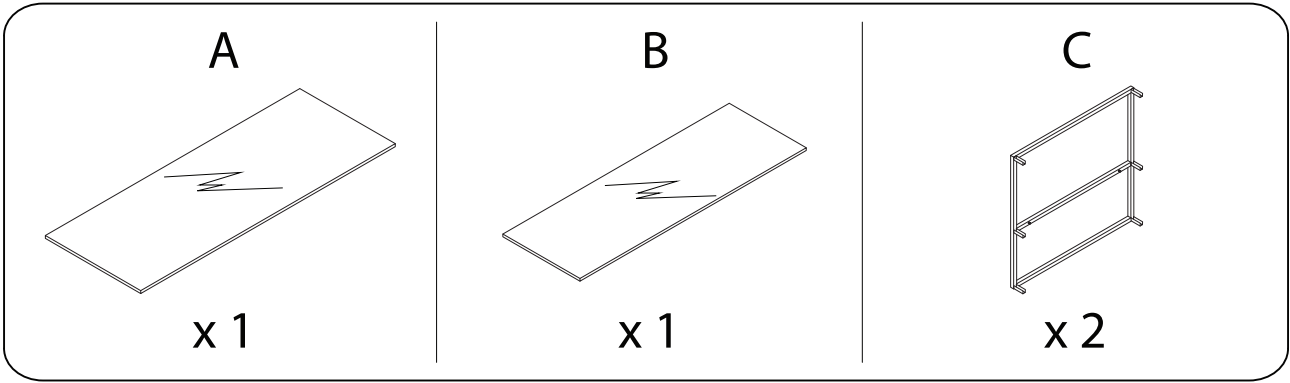


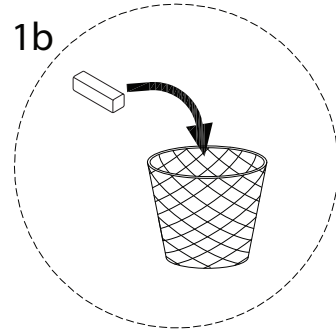
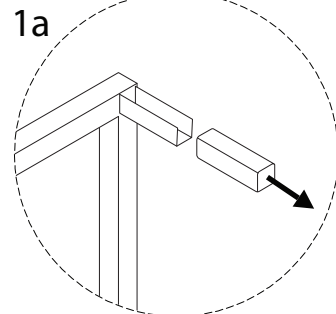
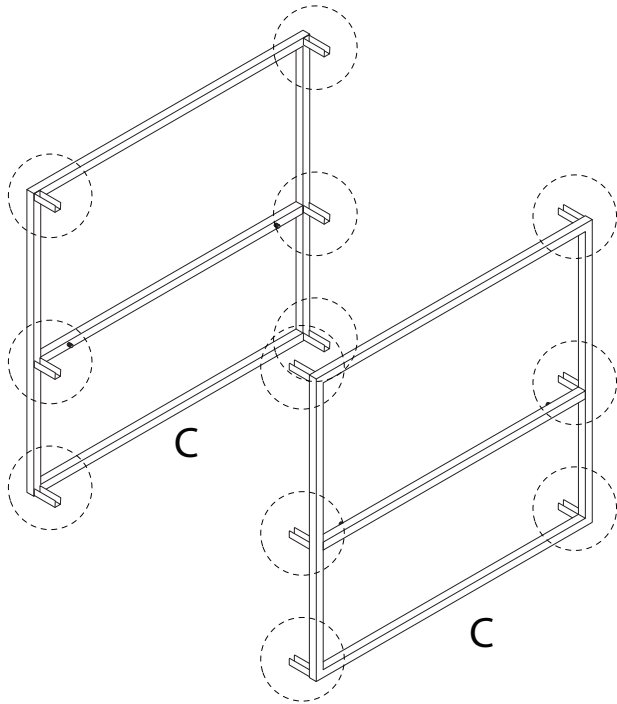
Diagram illustrating safety instructions for the assembly of the shelving unit. It consists of two rows of instructions, each enclosed in a rounded rectangle.

The first row shows an L-shaped metal bracket in a circle, a power drill with a slash through it, and a warning triangle with an exclamation mark. To the right of this row is a clock icon and the text "20'".

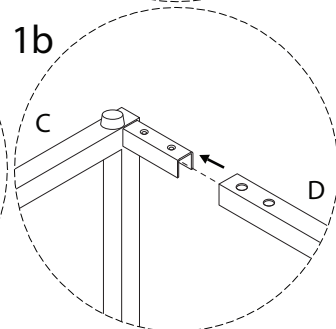
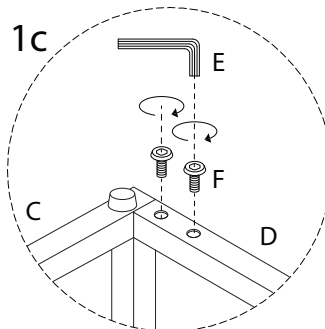
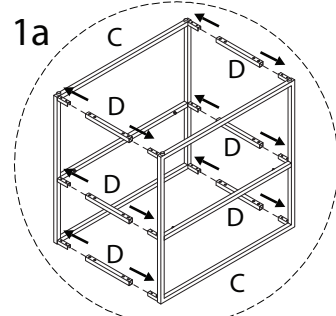
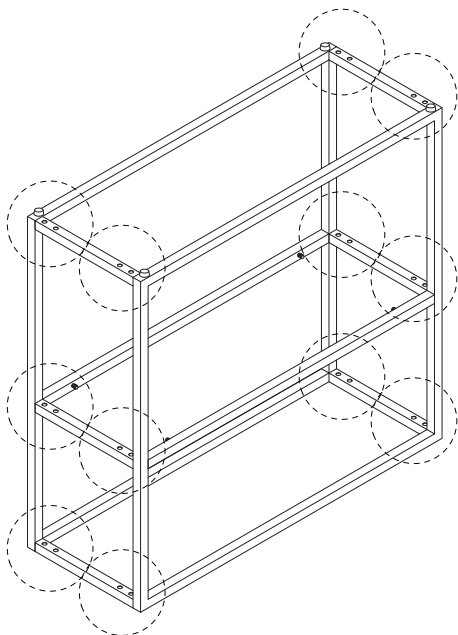
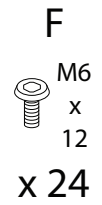
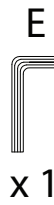
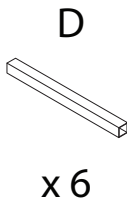
The second row shows a rectangular shelf panel in a circle, a screwdriver with a slash through it, and a warning triangle with an exclamation mark. To the right of this row is a person icon and the text "2".



!



1

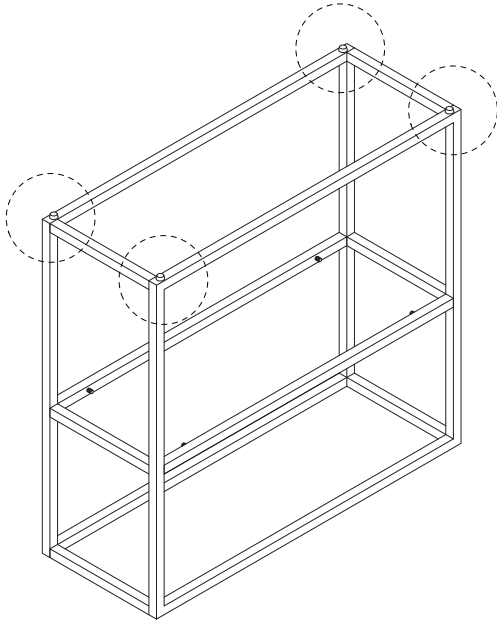


2

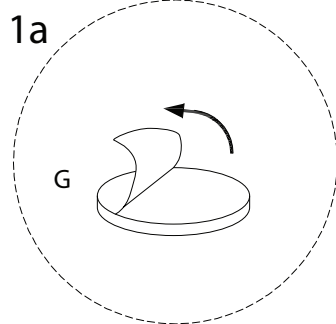
G



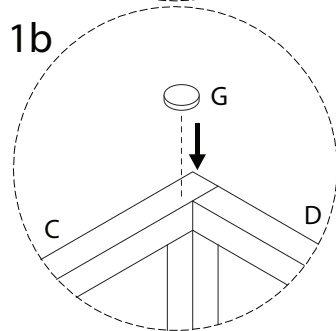
x 4



1a

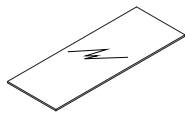


1b



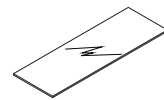
3

A

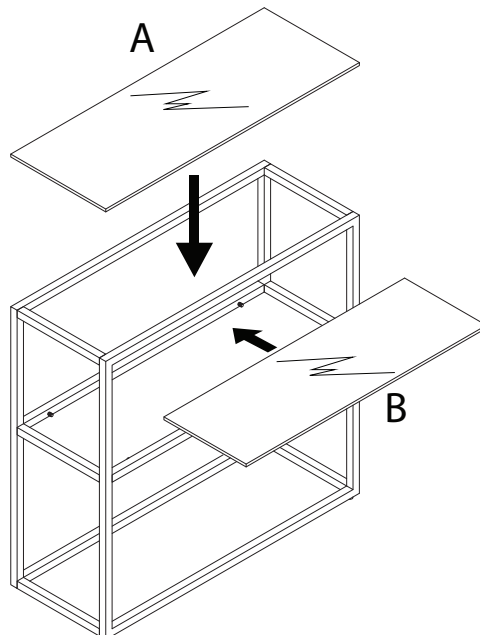


x 1

B



x 1



!

