

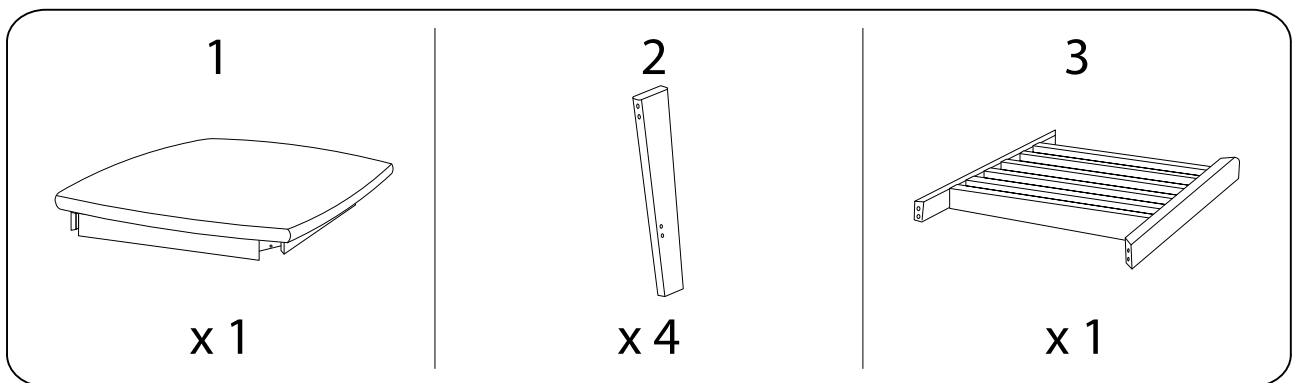
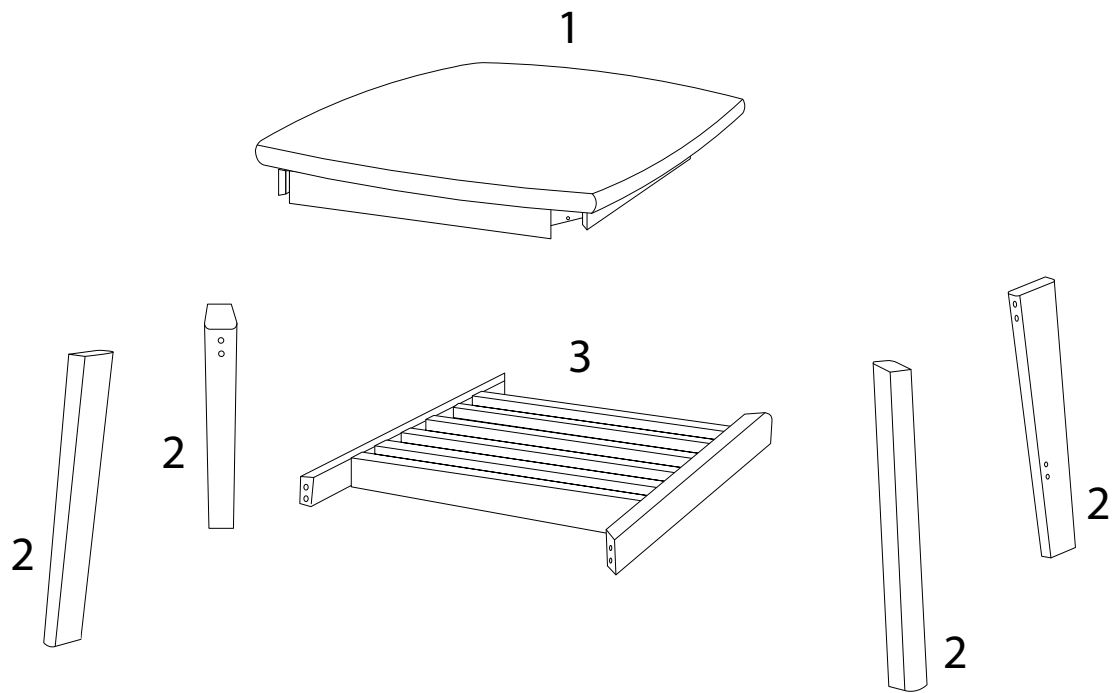
Assembly instructions for the stool, including tool requirements, time, and personnel.

**Tools:** A circle containing a screwdriver and an Allen key, and a crossed-out power drill icon.

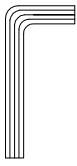
**Warnings:** Two warning triangles (exclamation marks in triangles) are shown, one above the tool section and one above the personnel section.

**Time:** A clock icon with the text "30'" below it.

**Personnel:** A stick figure icon with the number "2" below it.

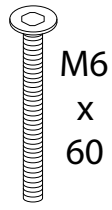


A



x 1

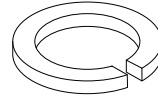
B



M6  
x  
60

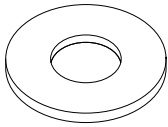
x 8

C



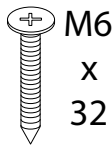
x 8

D



x 8

E



M6  
x  
32

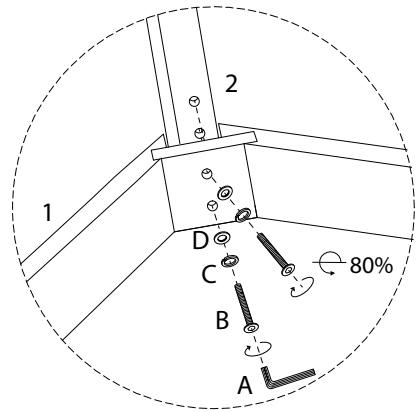
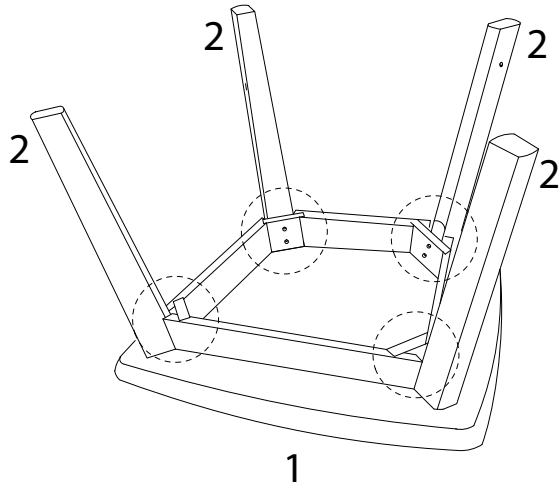
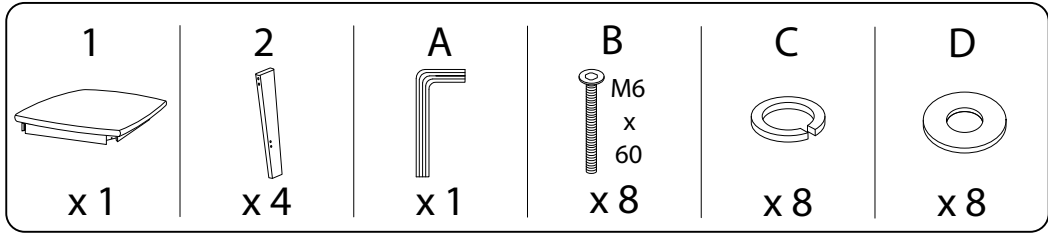
x 4

F

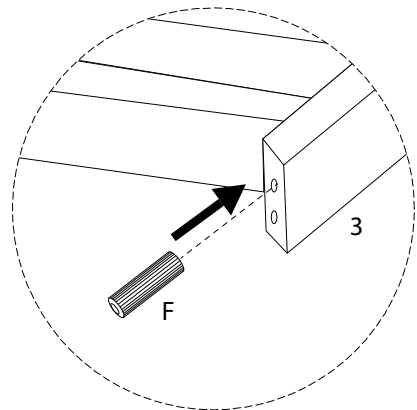
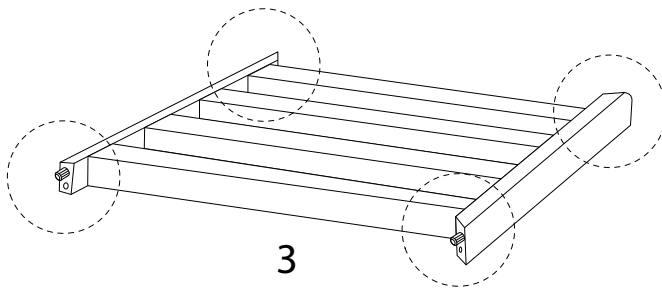
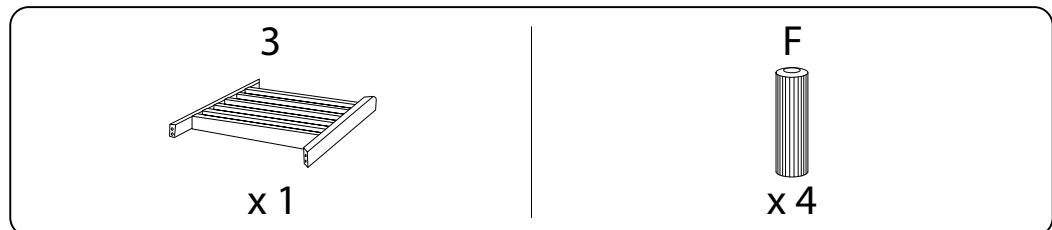


x 4

1

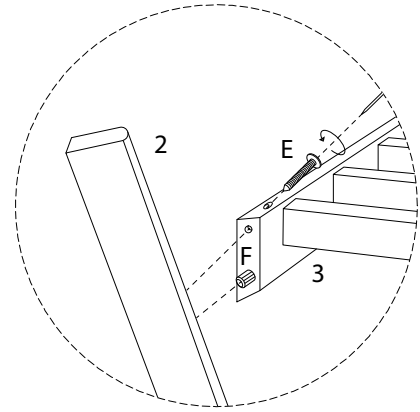
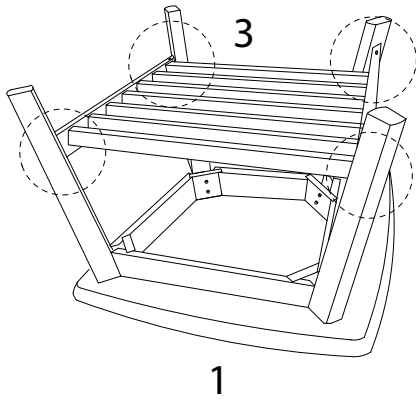


2



3

E  
M6  
x  
32  
x 4



4

A  
x 1

