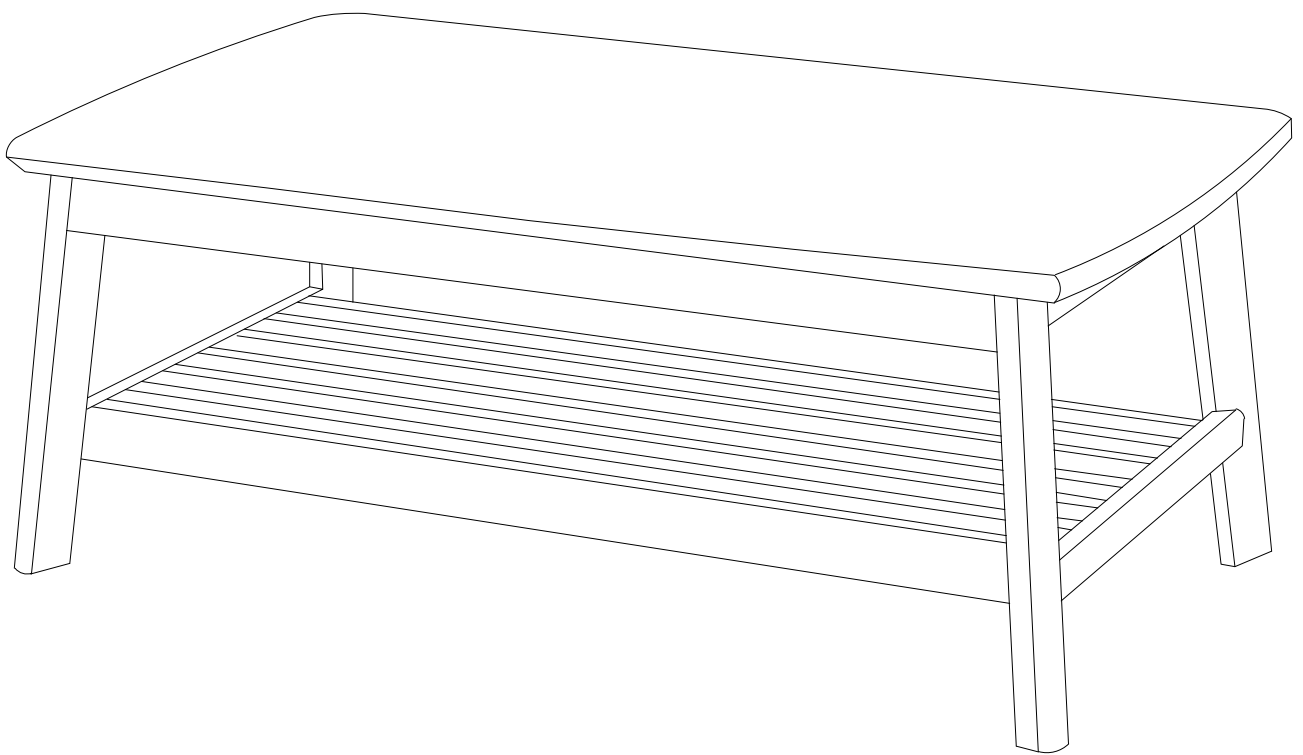
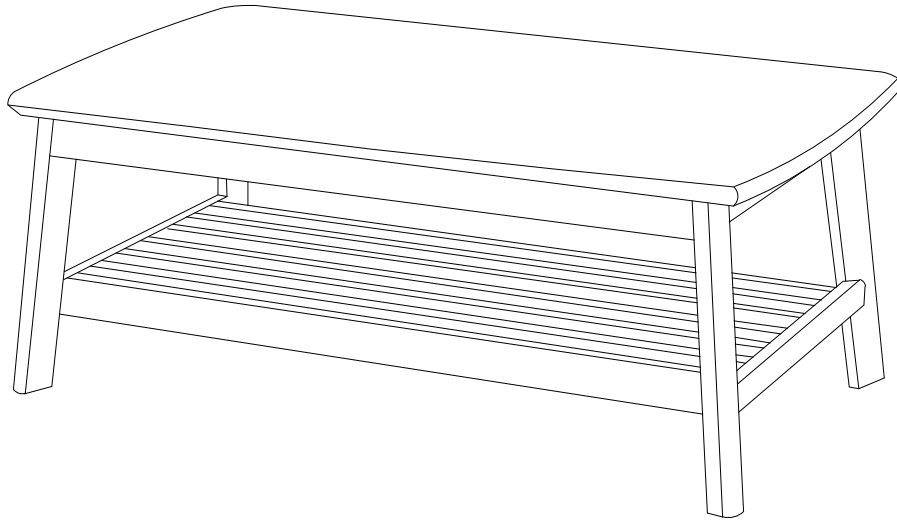


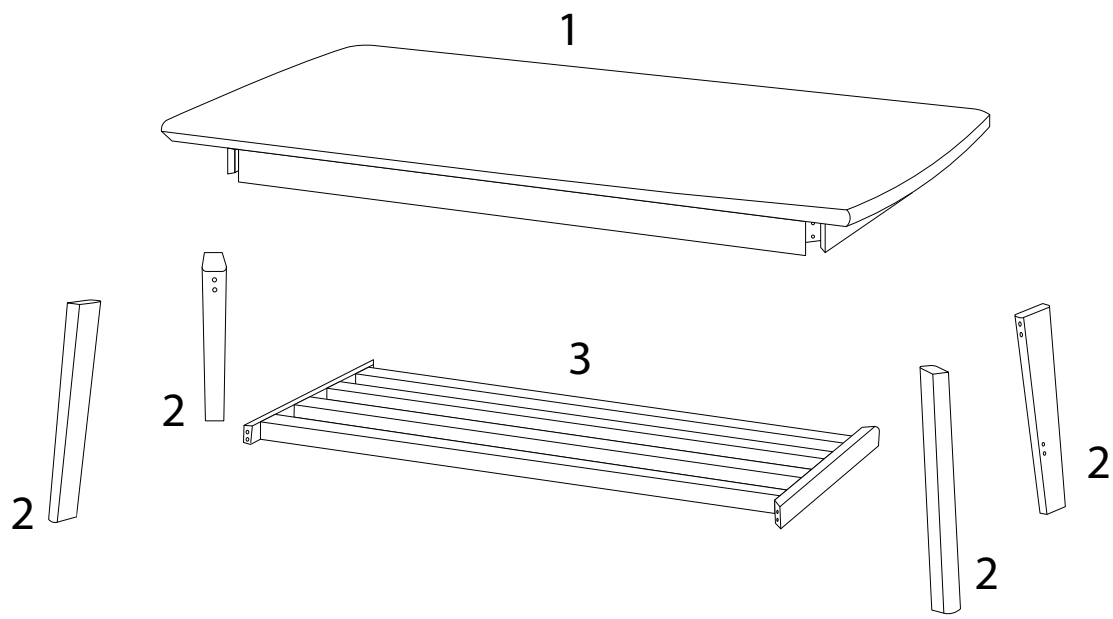
TULARE

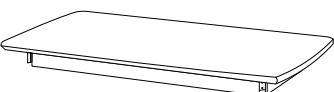

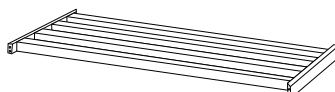




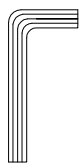
Assembly instructions for step 1/5:

- Tools:** A circle containing a screwdriver and an L-shaped Allen key. A power drill is shown with a diagonal line through it, indicating it is not to be used.
- Warning:** A triangle with an exclamation mark.
- Time:** A clock icon with the text "30'" below it, indicating a 30-minute assembly time.
- Personnel:** A stick figure icon with the number "2" below it, indicating that two people are required for assembly.
- Diagram:** A circle showing a rectangular block being placed on a surface with a grid pattern. A second diagram shows the block being secured with a screw from underneath, with a diagonal line through the screw indicating it should not be inserted from the top.



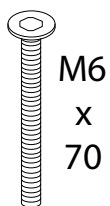
<p>1</p>  <p>x 1</p>	<p>2</p>  <p>x 4</p>	<p>3</p>  <p>x 1</p>
---	---	---

A



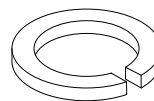
x 1

B



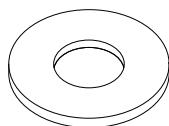
x 8

C



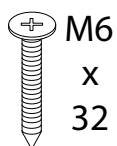
x 8

D



x 8

E



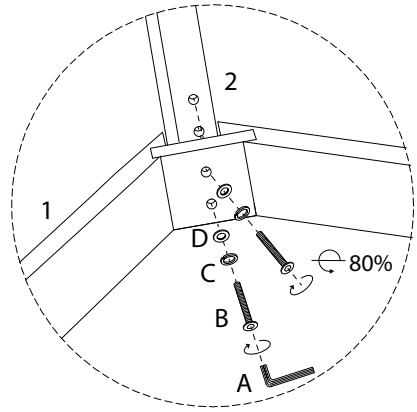
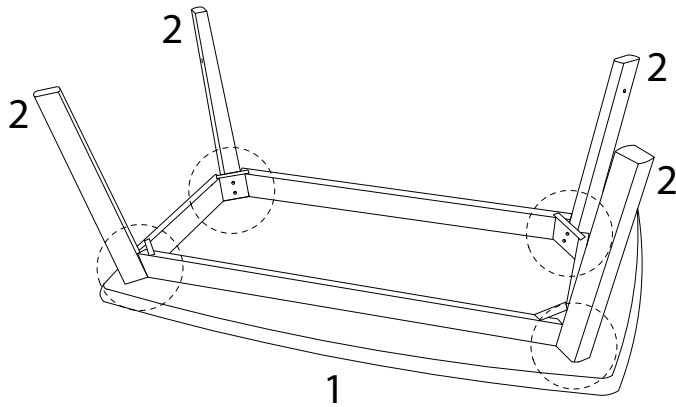
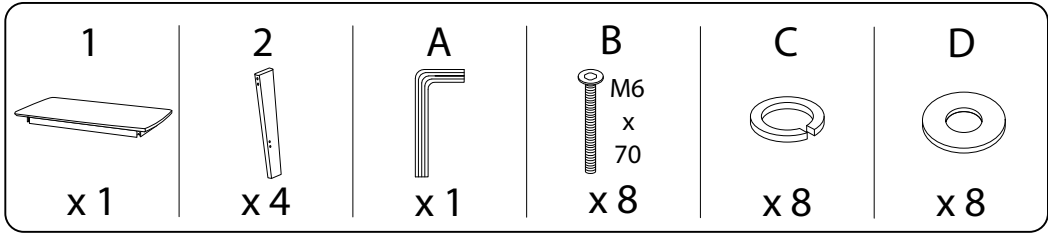
x 4

F

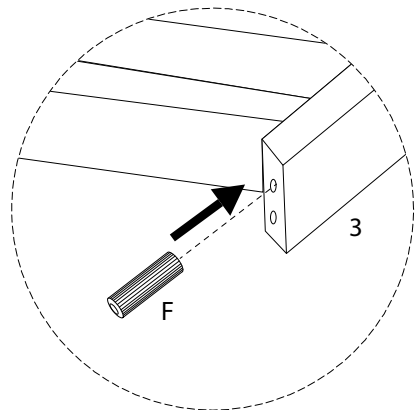
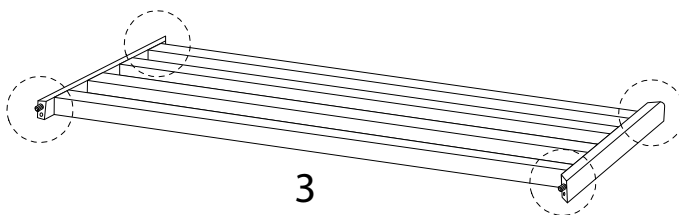
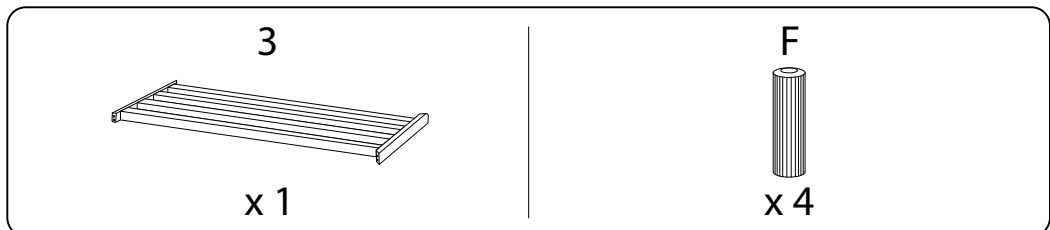


x 4

1

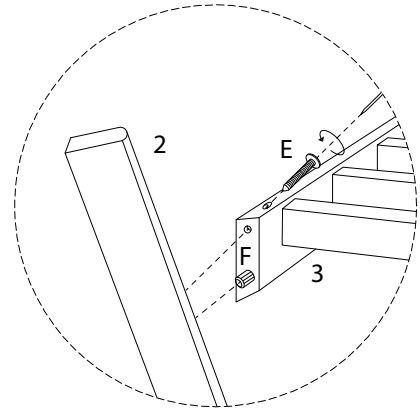
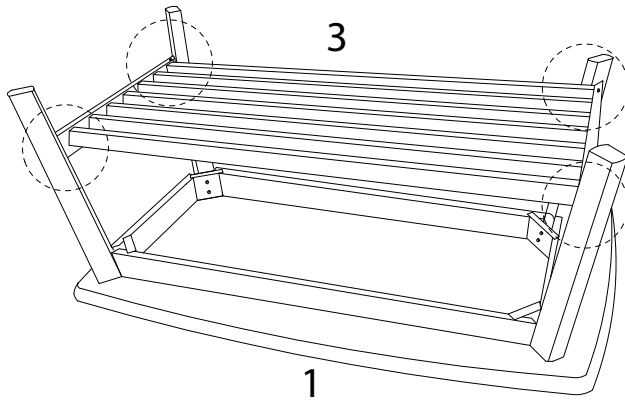


2



3

E
M6
x
32
x 4



4

A
x 1

