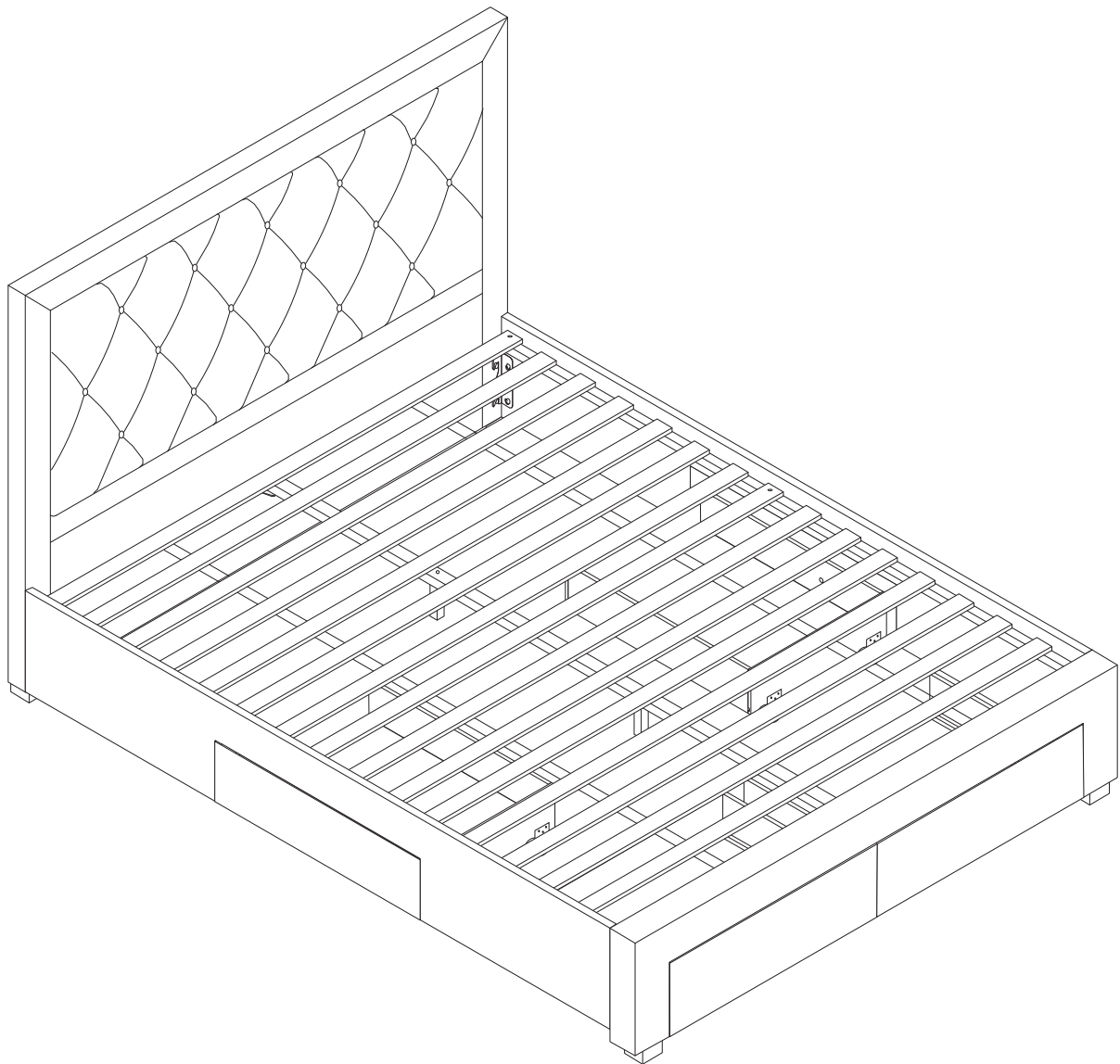
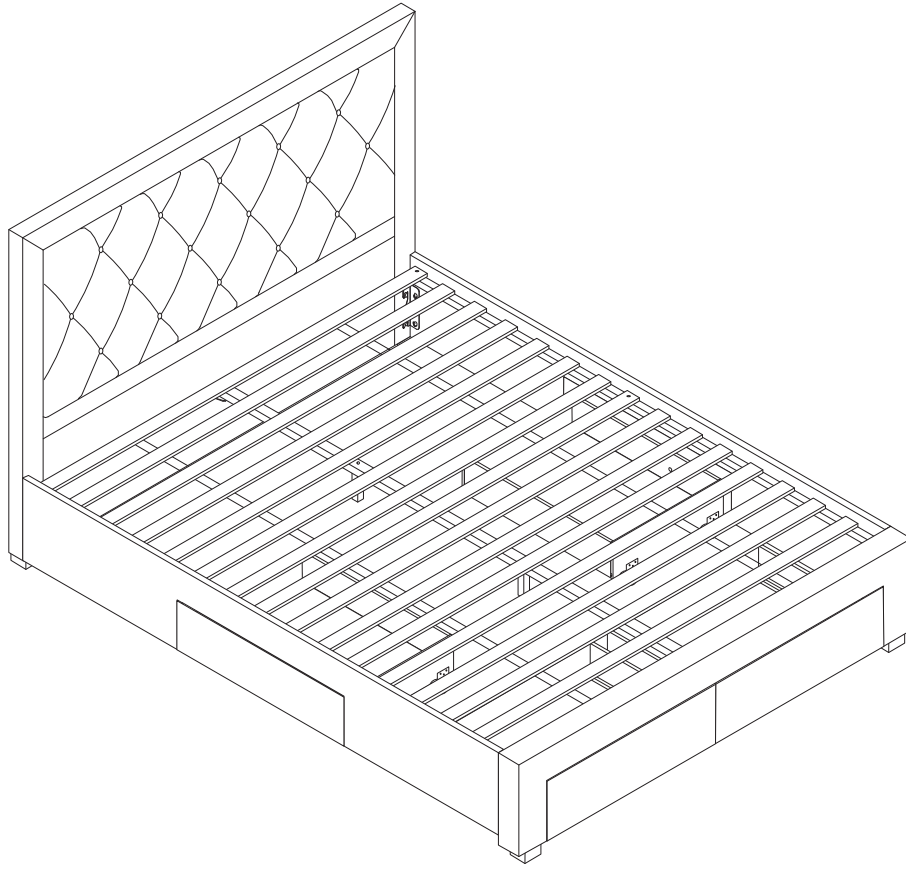


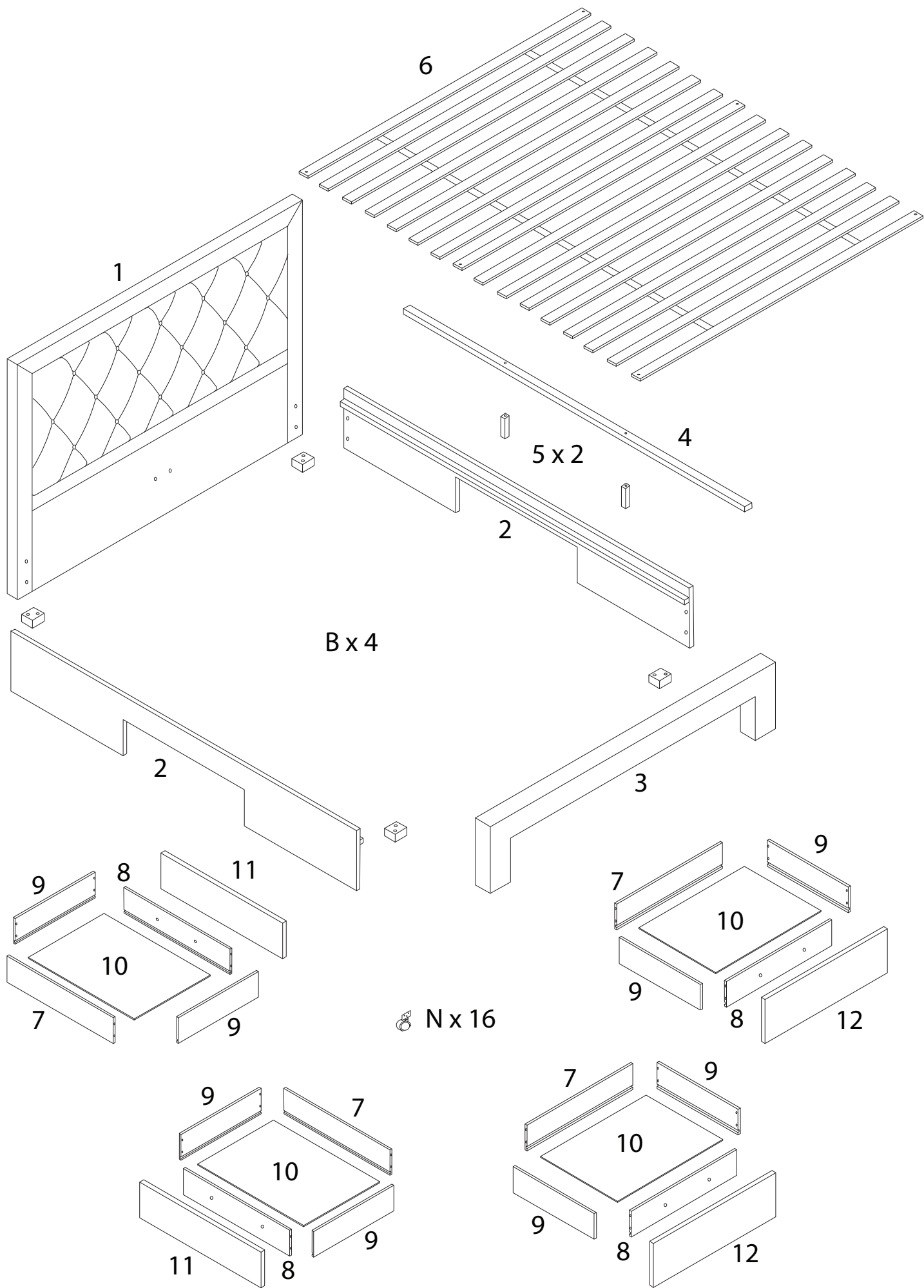
LIEVIN



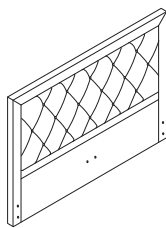


Assembly instructions for step 1/11:

- Tools:** A circle containing a screwdriver and an Allen key. A power drill is shown with a diagonal line through it, indicating it should not be used.
- Warning:** A triangle with an exclamation mark.
- Time:** A clock icon with the text "90'" below it, indicating a 90-minute assembly time.
- Personnel:** A person icon with the number "2" below it, indicating that two people are required for assembly.

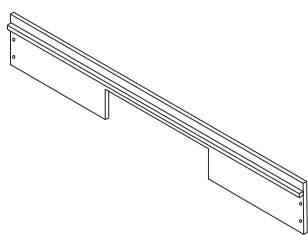


1



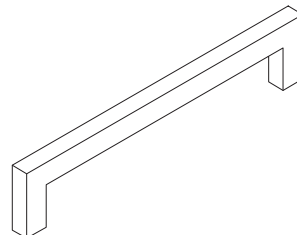
x 1

2



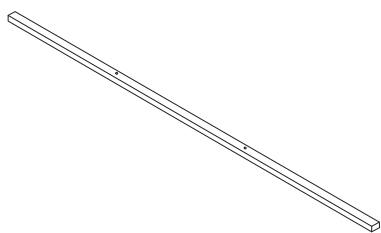
x 2

3



x 1

4



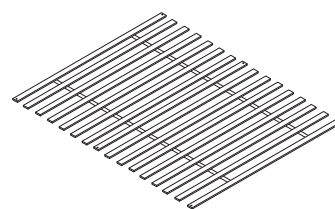
x 1

5



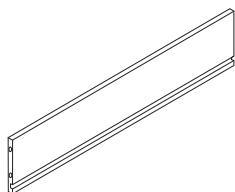
x 2

6



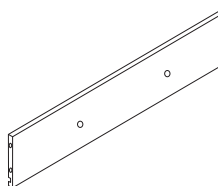
x 1

7



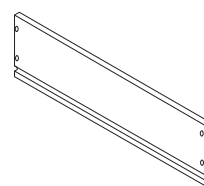
x 4

8



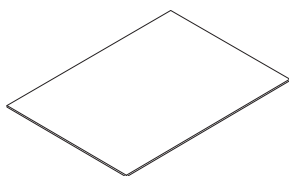
x 4

9



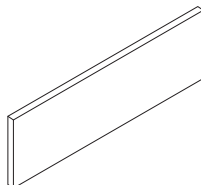
x 8

10



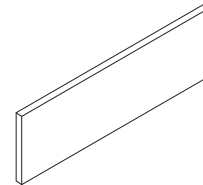
x 4

11



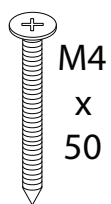
x 2

12



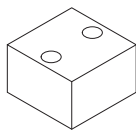
x 2

A



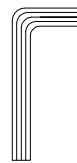
x 8

B



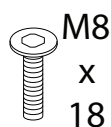
x 4

C



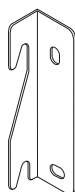
x 1

D



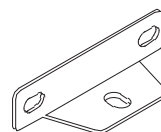
x 20

E



x 4

F



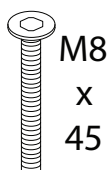
x 2

G



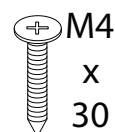
x 2

H



x 2

I



x 6

J



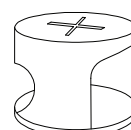
x 8

K



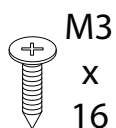
x 32

L



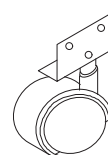
x 32

M



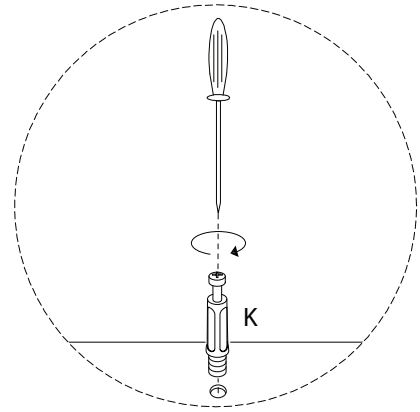
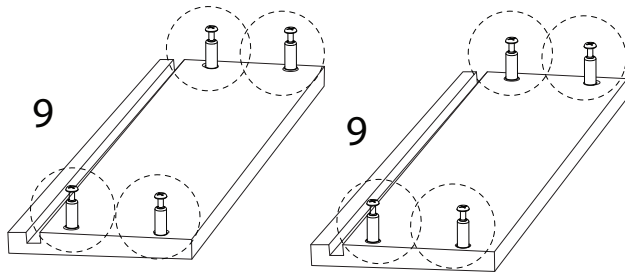
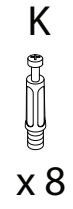
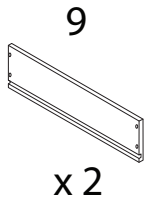
x 48

N

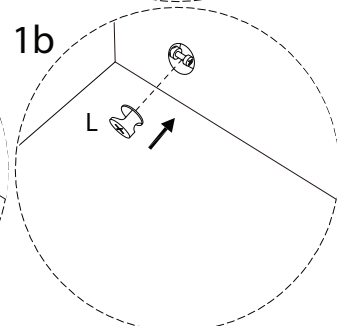
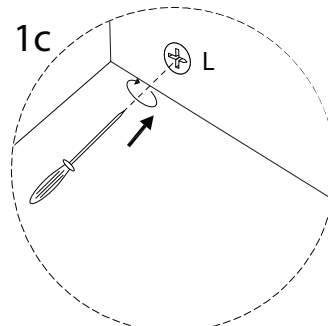
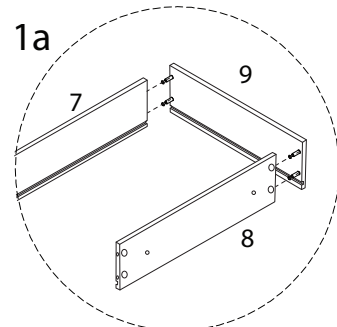
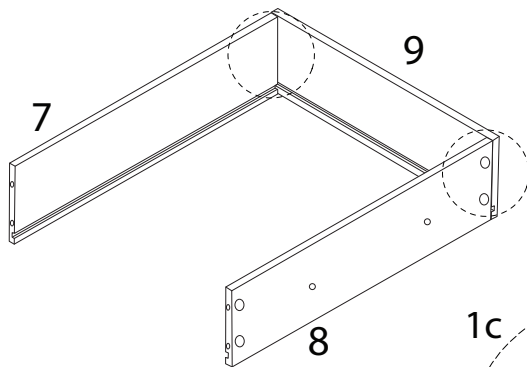
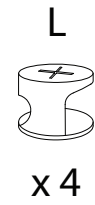
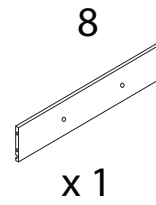
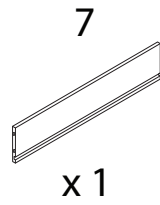


x 16

1 x 4

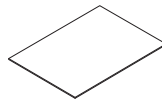


2 x 4

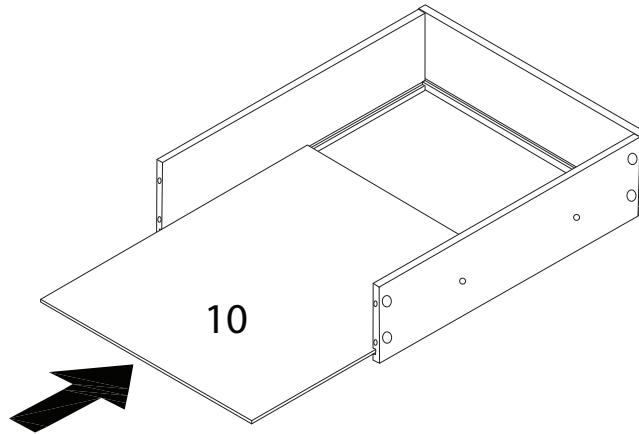


3 x 4

10



x 1

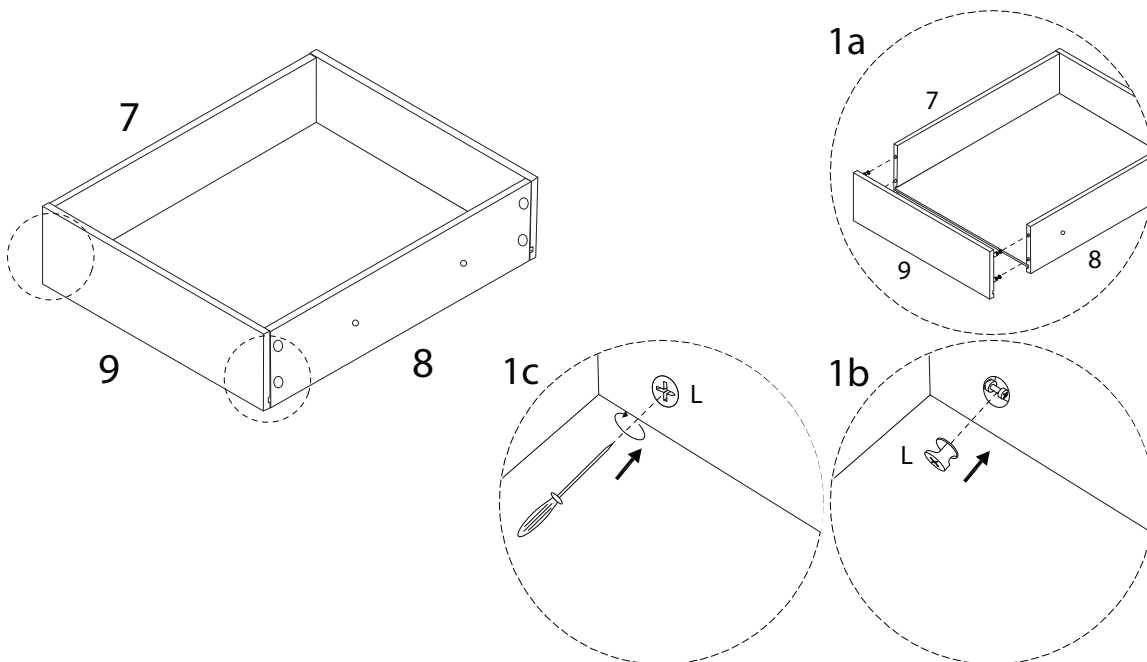


4 x 4

L

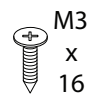


x 4



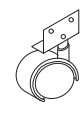
5 x 4

M

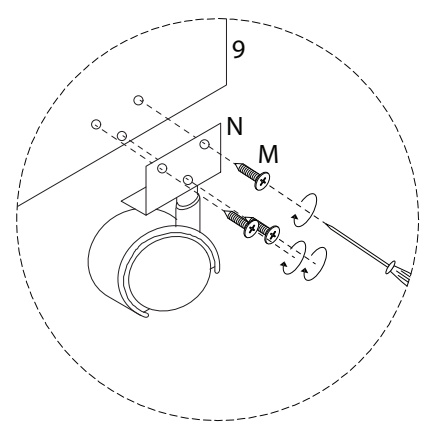
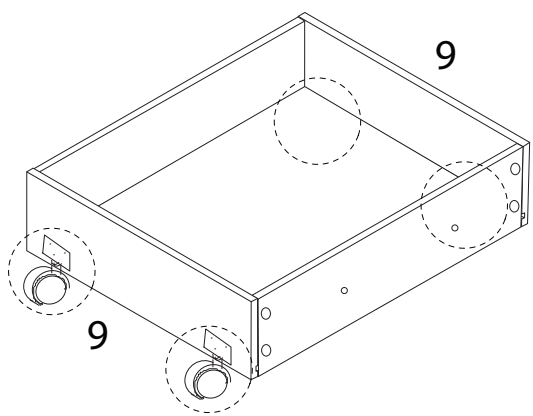


x 12

N

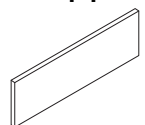


x 4



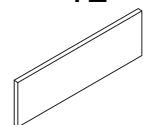
6

11



x 2

12



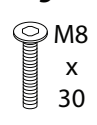
x 2

C

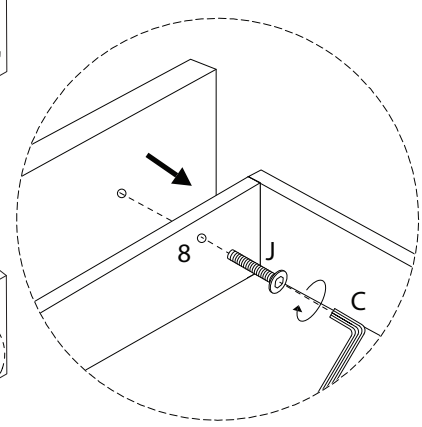
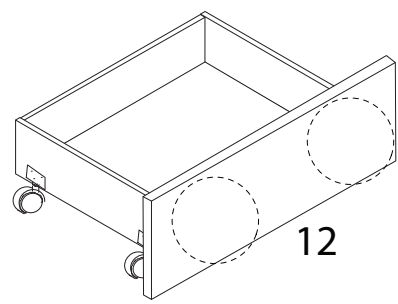
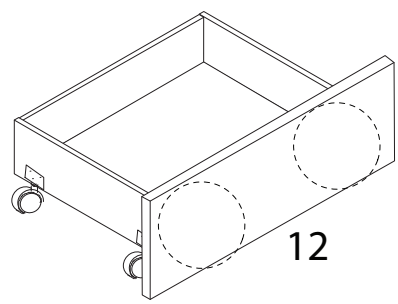
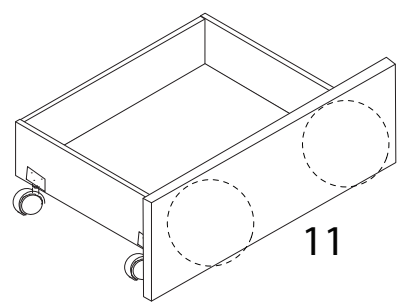
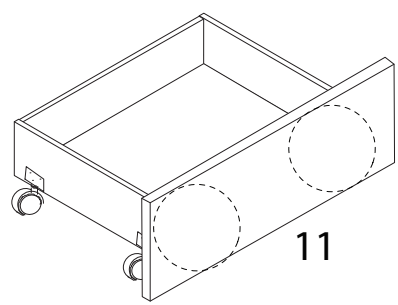


x 1

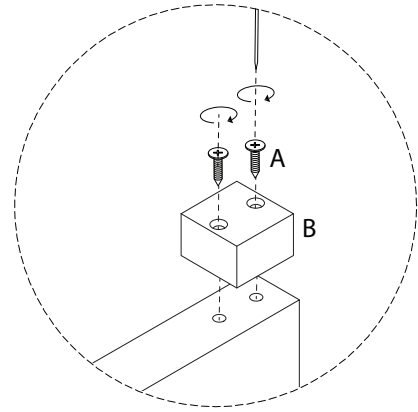
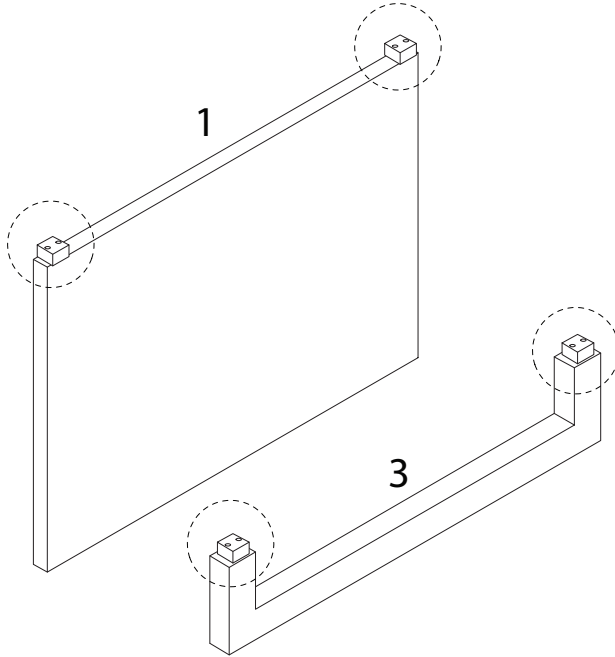
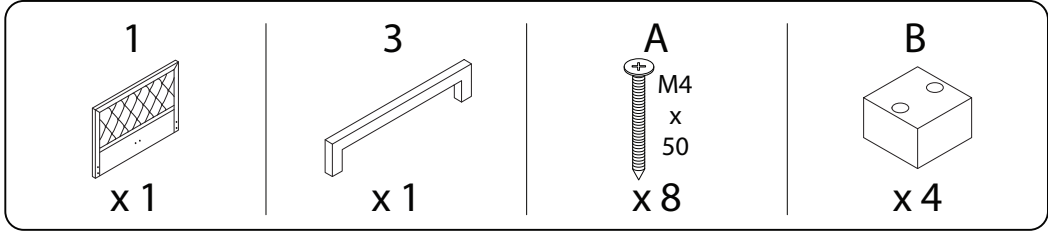
J



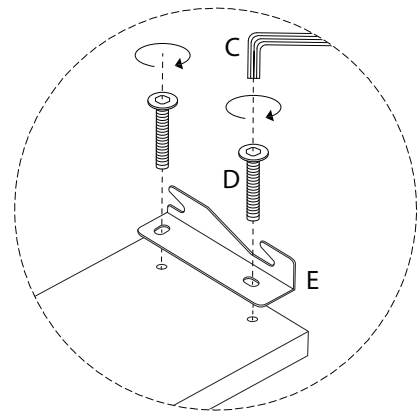
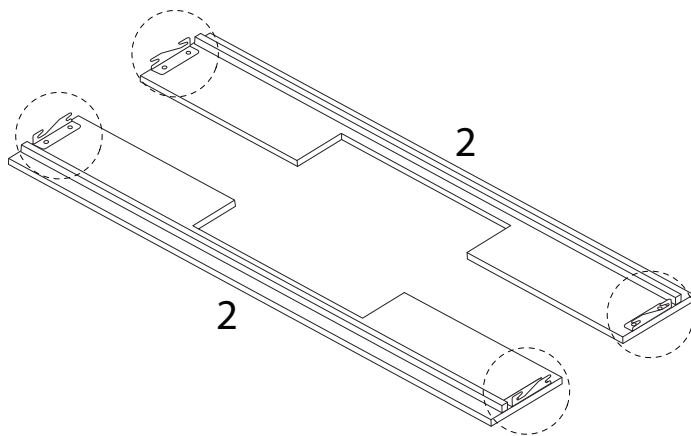
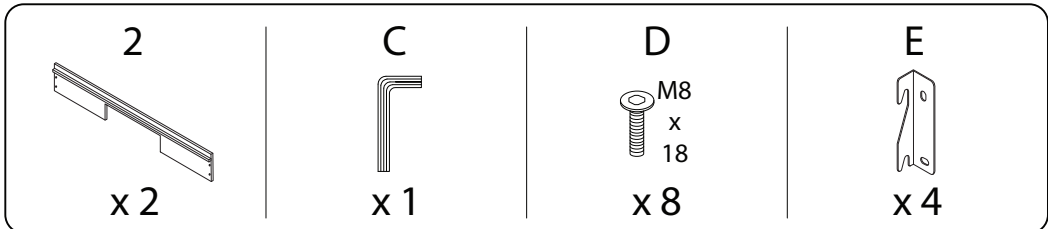
x 8



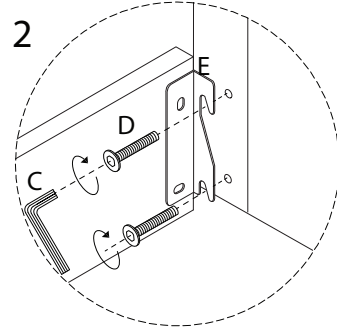
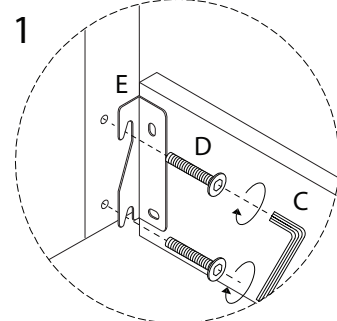
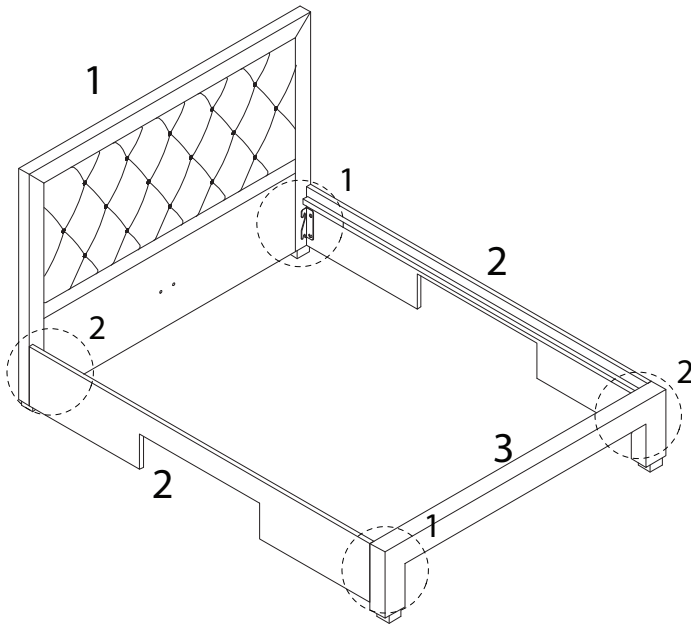
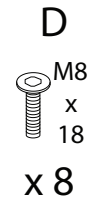
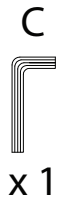
7



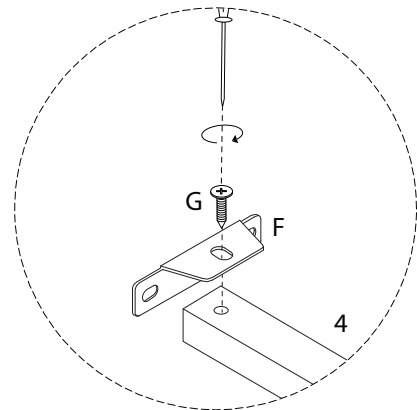
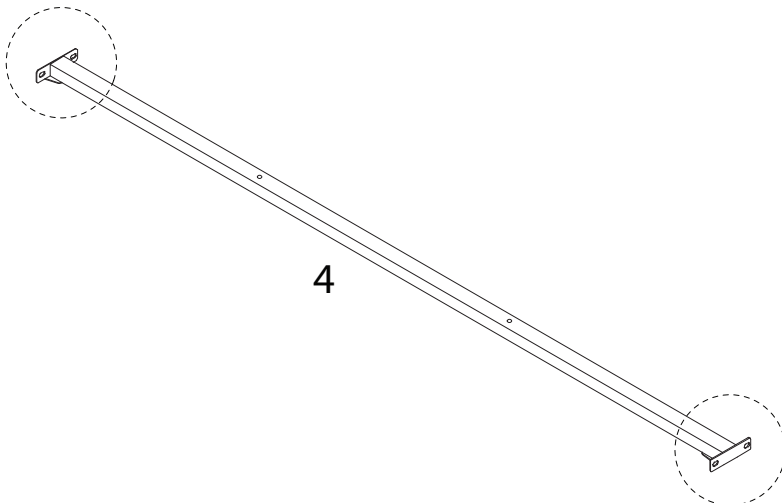
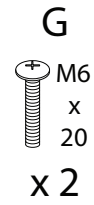
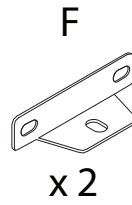
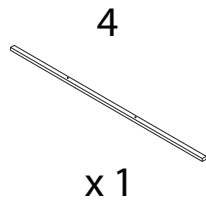
8



9



10



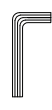
11

5



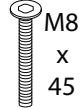
x2

C

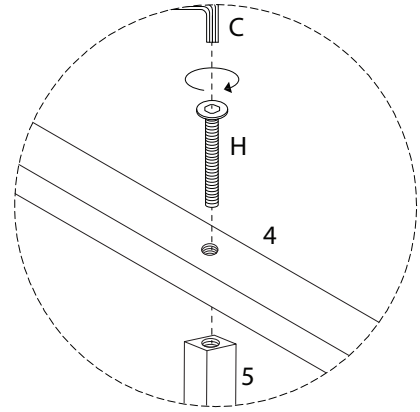
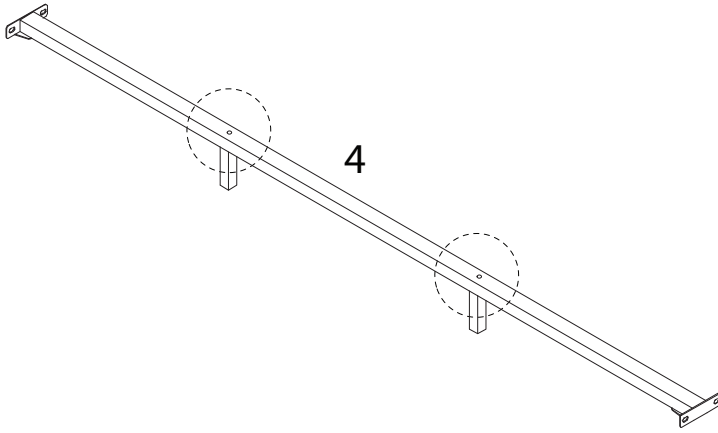


x1

H



x2



12

C

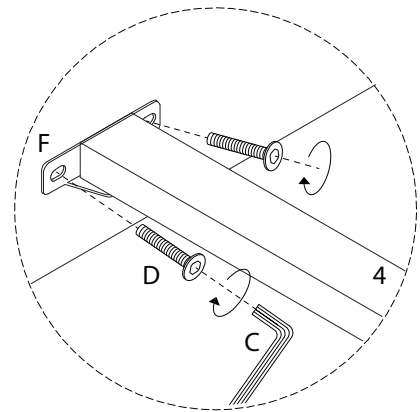
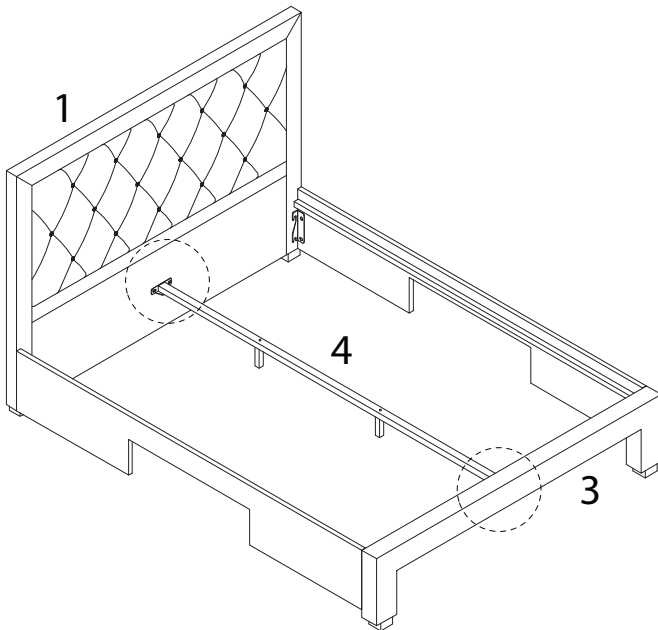


x1

D

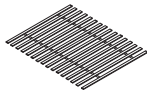


x4



13

6

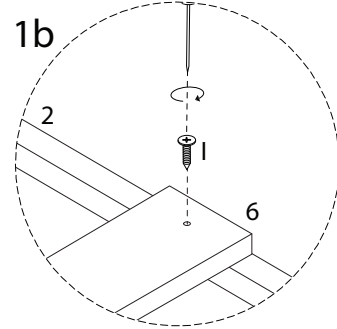
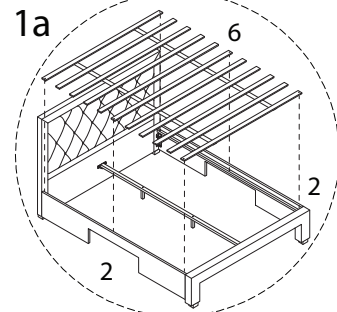
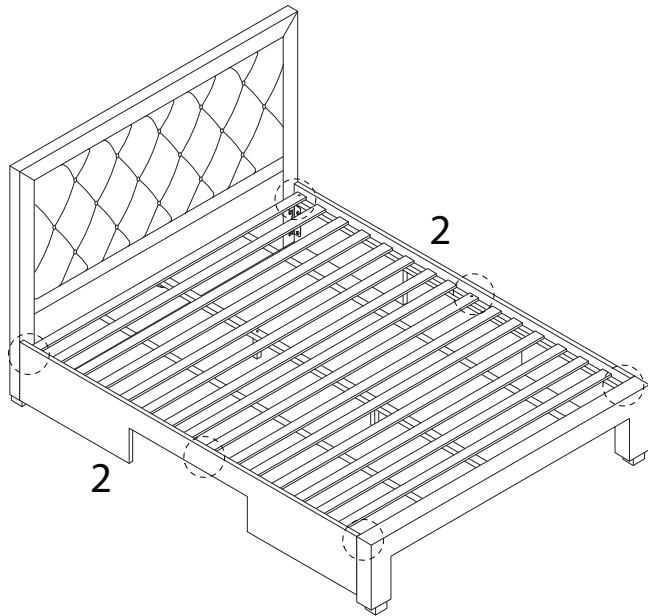


x 1

1



x 6



14

