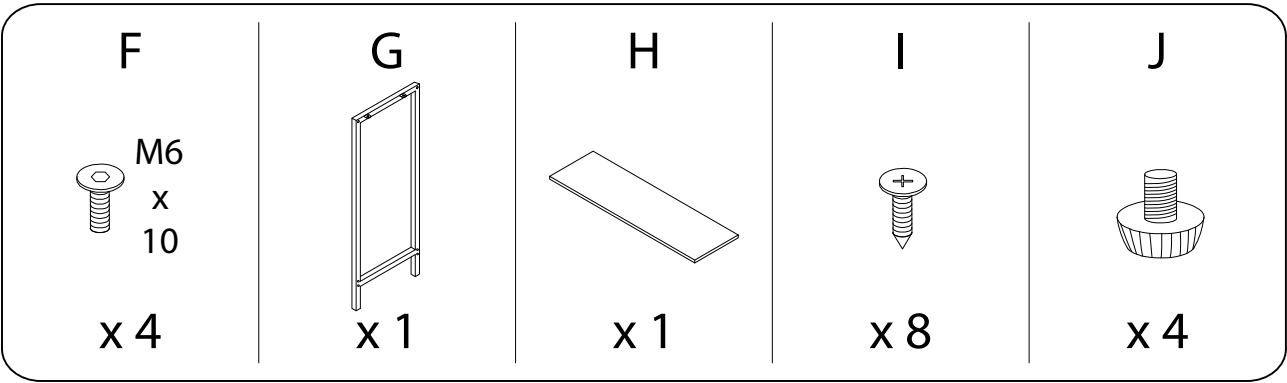
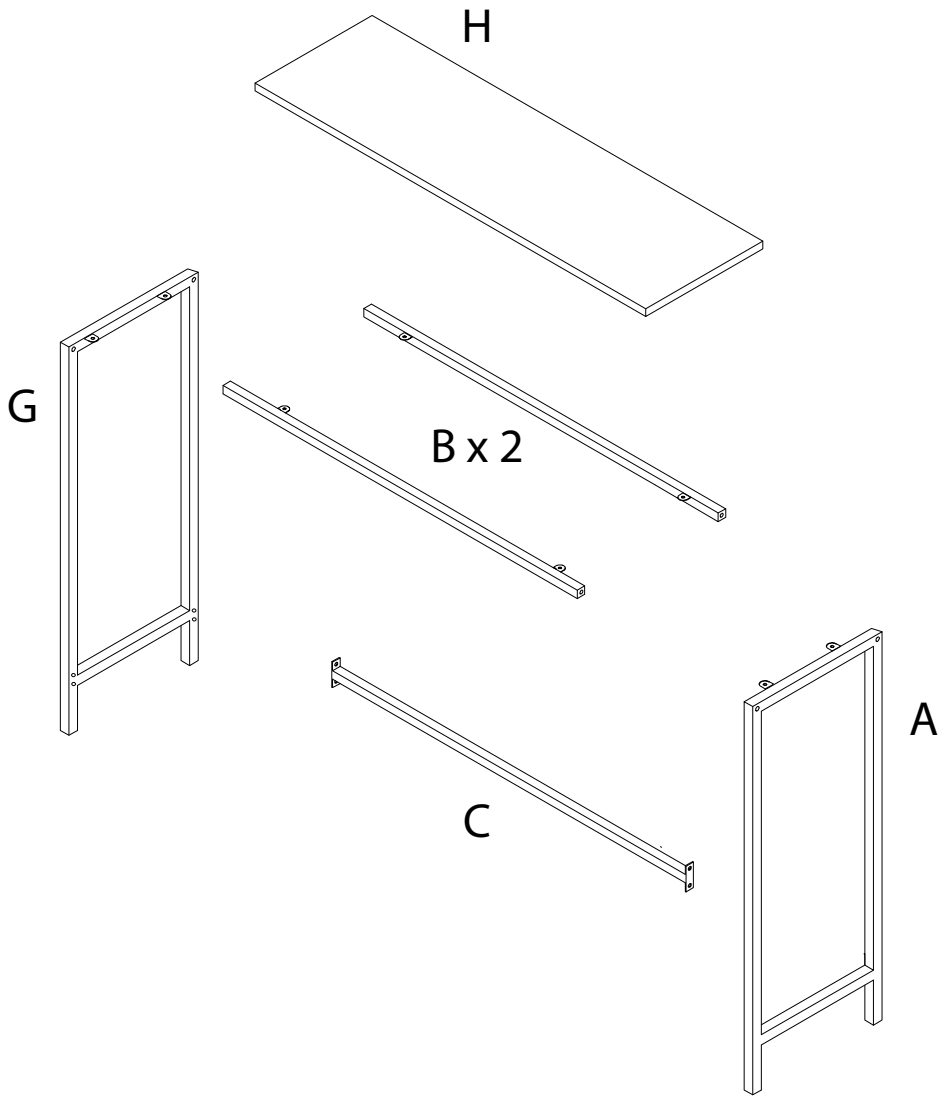
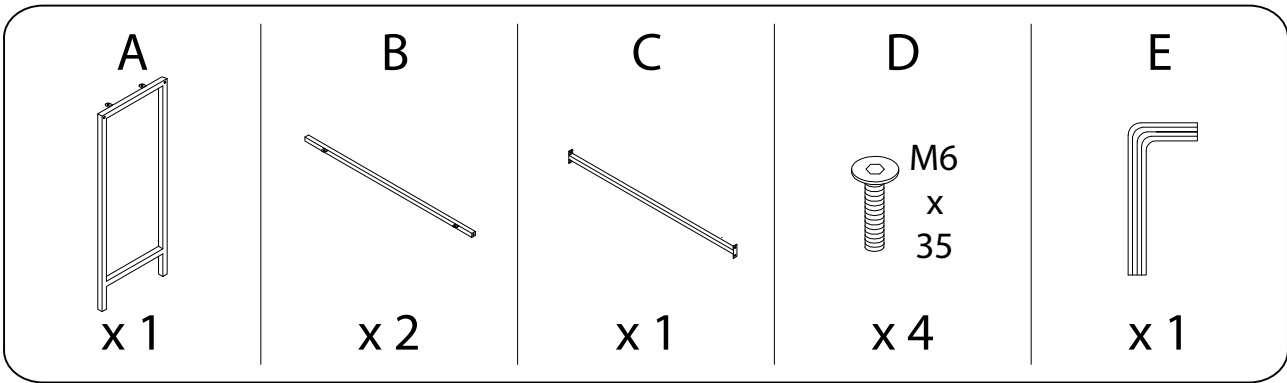
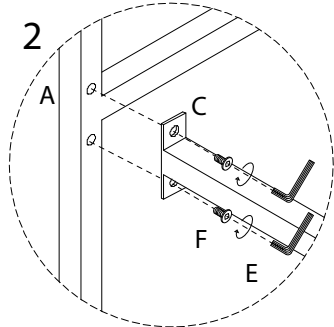
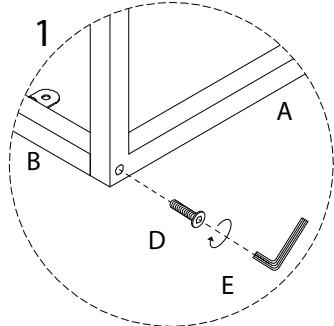
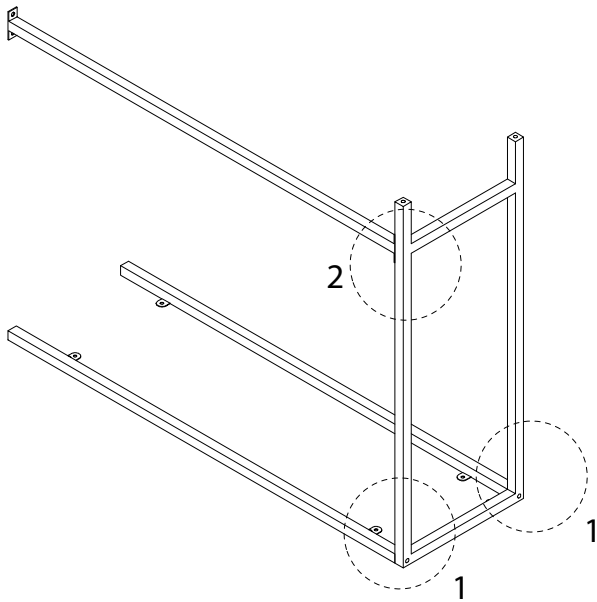
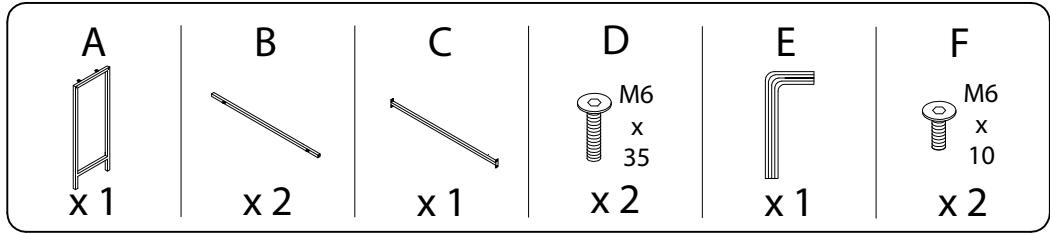


Diagram illustrating assembly steps and safety warnings:

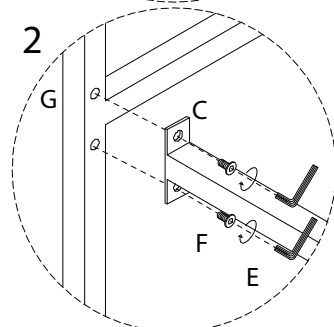
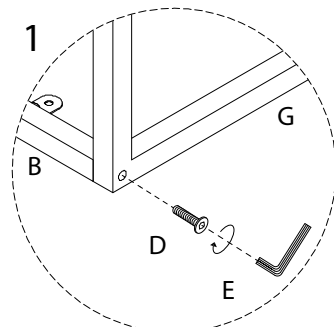
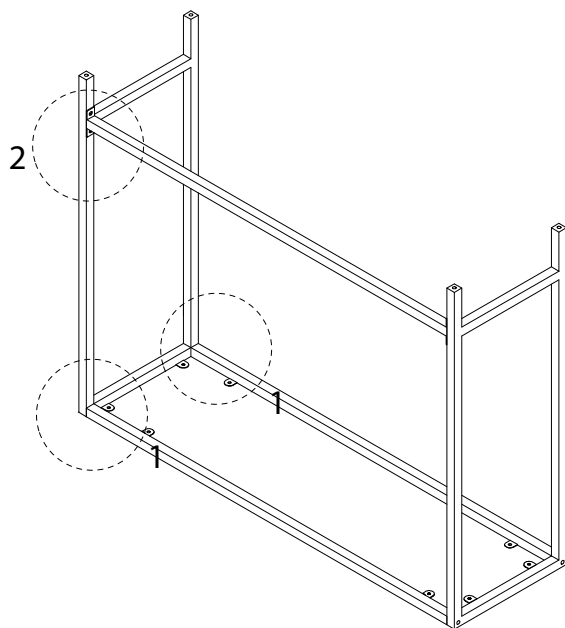
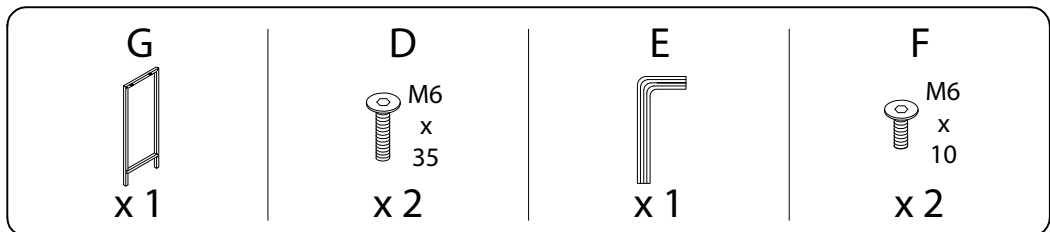
- Step 1:** Shows tools (screwdriver and L-shaped bracket) and a power drill. A warning triangle with an exclamation mark is present.
- Step 2:** Shows a rectangular panel being placed on a surface and a warning triangle with an exclamation mark.
- Time:** A clock icon indicates a duration of **30'**.
- Personnel:** A person icon indicates that **1** person is required.



1

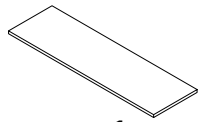


2



3

H

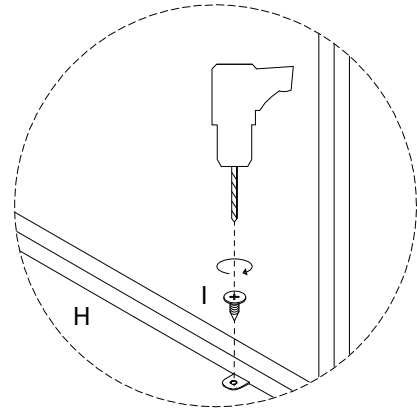
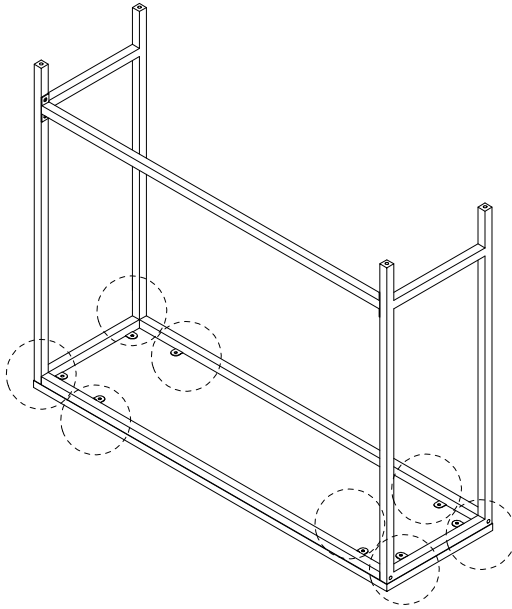


x 1

I



x 8



4

J



x 4

